



Basic Play

BPKE260.1GP

Combination equipment

BPKE260.1GP

Combination equipment



1+



1-6 year



3.3 x 1.6 x 1.5 m



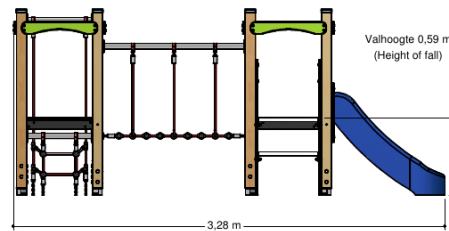
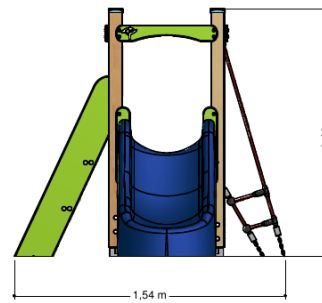
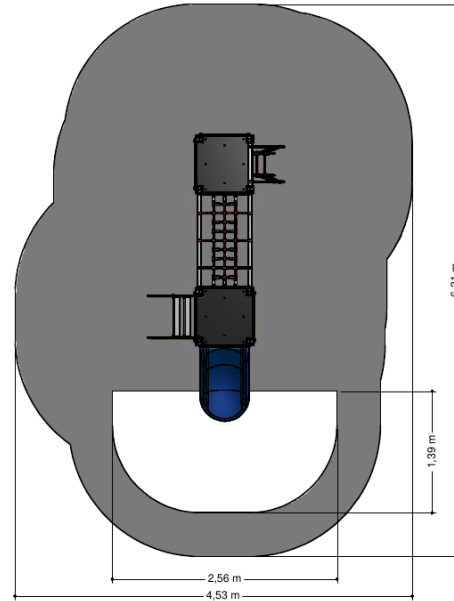
2.6 x 1.4 m



4.6 x 6.4 m



0.6 m



Playfunctions

Balancing, sliding, combination equipment, climbing

Material

Poles are made of an recycled plastic. The top is covered with a pole cap. Floors are completely recyclable and have a anti/slip profile. Walls of an outdoor quality colored 19 mm thick HMPE. The slide is made of stained glass reinforced polyester. All metal parts are powder coated aluminum. Connections are, where necessary, covered with a plastic cap. Nets and ropes are made of 16 mm vandal proof Hercules rope.

Anchorage

The posts are anchored into the ground with galvanized steel ground anchors. These go to a depth of 40 cm in the ground and are attached to the underside with a plate to increase the support. Concrete is not required.

Comments

When the soil does not contribute to the stability, it may be necessary to add concrete.