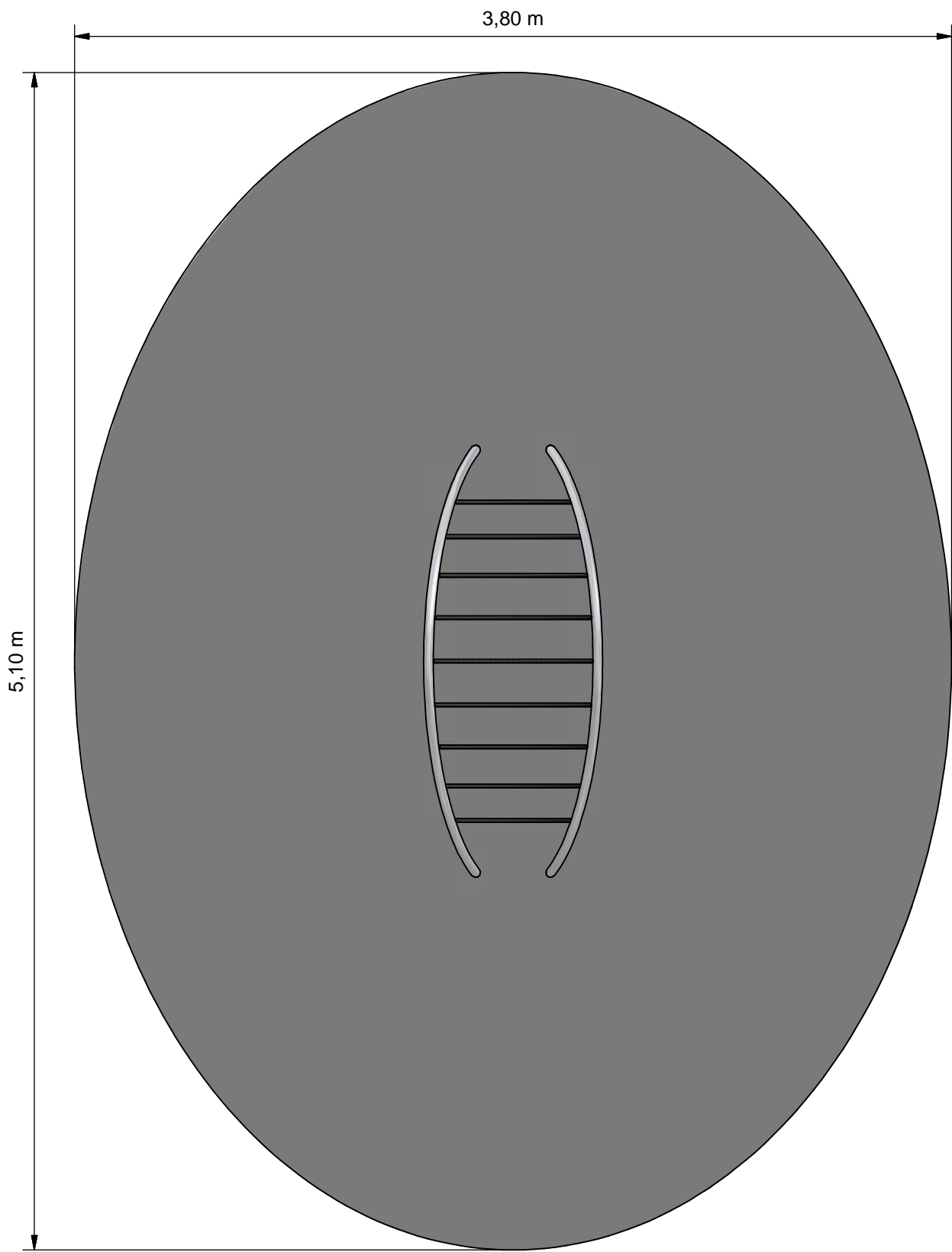




Little-Play Bridge



LTPE381.705



- Opvangzone
Impact area
- Obstakelvrije zone
Obstacle free zone



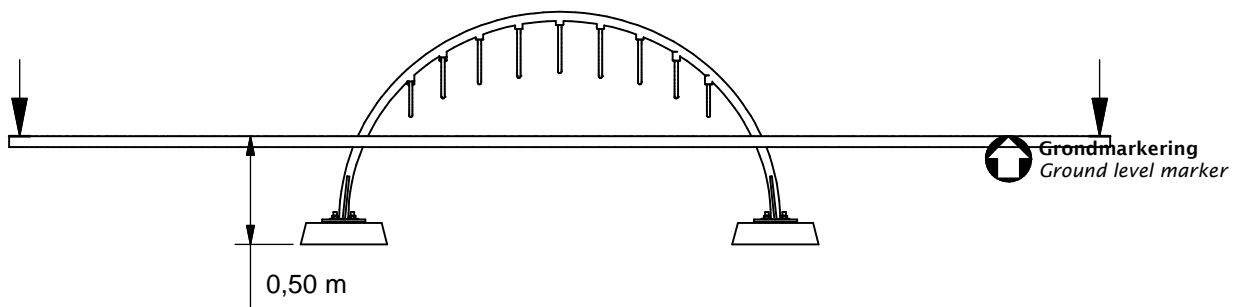
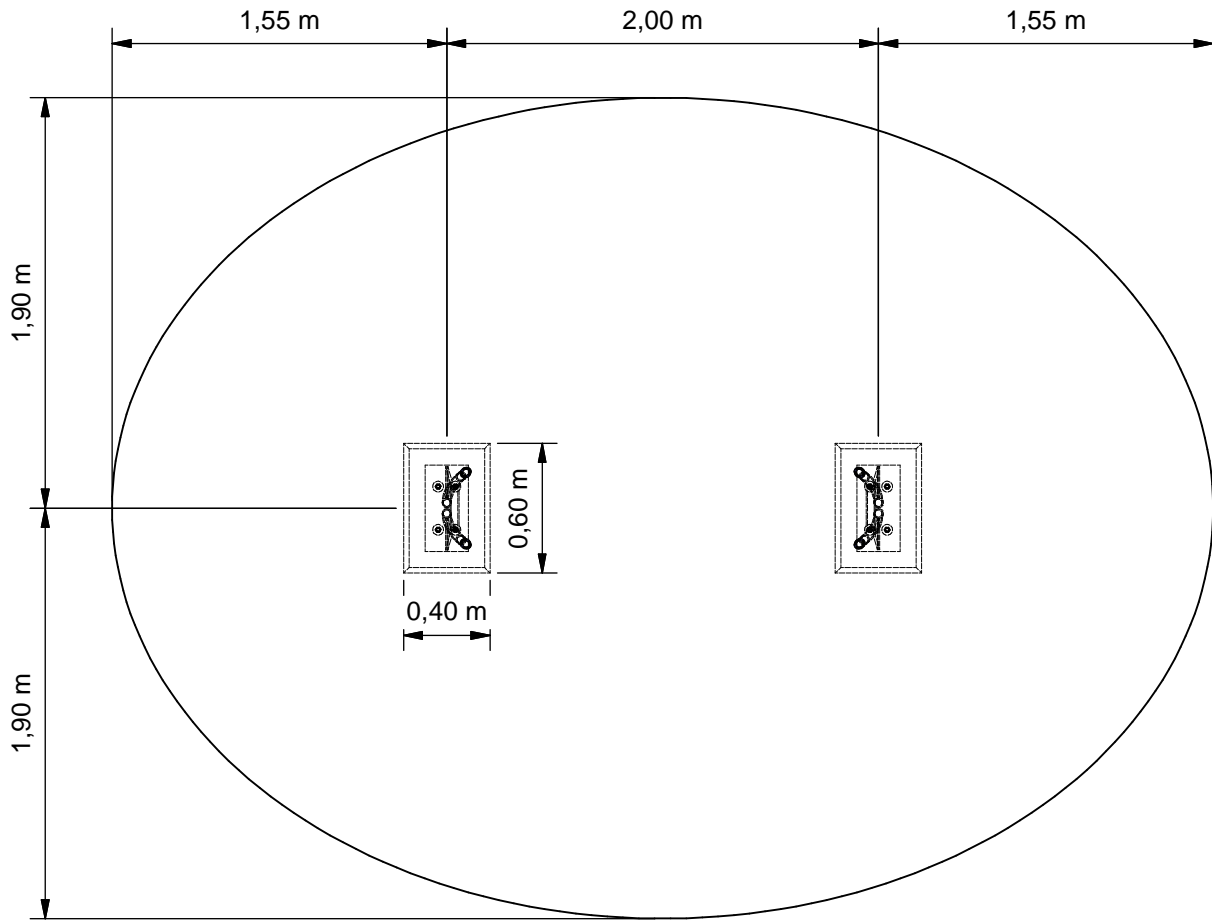
Benaming
Title Bridge

Opmerking
Comment Little Play

Datum
Date 11-11-2015

Tekening
Drawing

TOE LTP 381 705 A
 Obstakelvrije zone *Obstacle free zone*

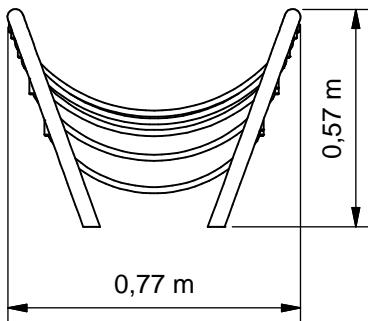
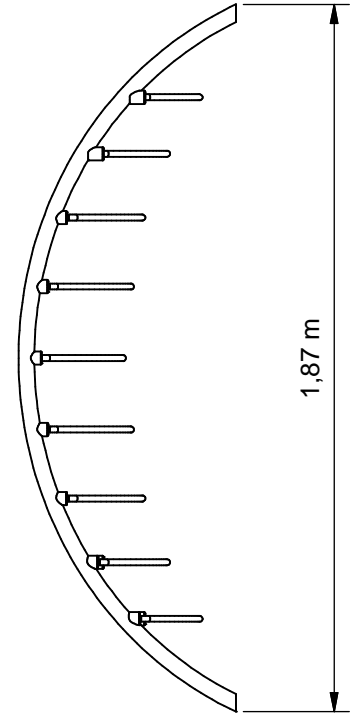
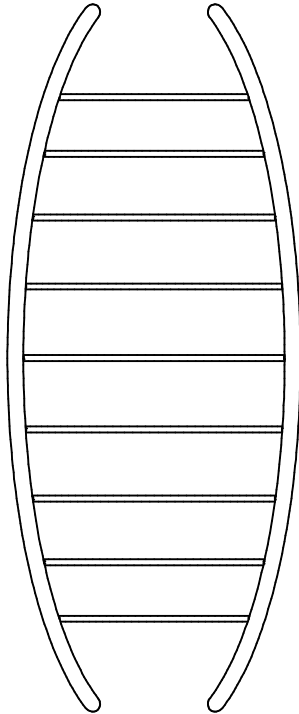


Benaming
 Title Bridge
 Opmerking
 Comment Little Play
 Datum
 Date 11-11-2015

Tekening
 Drawing

TOE LTP 381 705 A

Bodemplan Groundplan



Benaming Title	Bridge
Opmerking Comment	Little Play
Datum Date	11-11-2015

Tekening
Drawing

TOE LTP 381 705 A

Afmetingen Dimensions

Geleverde modules:

Zie tabel

Supplied modules:

See table

Montageinstructie:

- De hoofdmaten geven de maten van de standers en vloeren aan
- De detailtekeningen geven specifiek de maten van de verbindingen aan
- De modules met buizen zijn op de tekeningen bemaat op bovenkant kopplaat
- Overige modules zijn bemaat op de bovenkant (klimwanden, paalkappen, etc.)

Assembly instruction:

- The main dimensions indicate the dimensions of the posts and floors
- The detailed dimensions show the specific dimensions of the connections
- The modules which contain tubes are dimensioned at the top of the flanges
- Other modules are dimensioned at the top (climbing walls, caps for the posts, etc.)

Montagevolgorde:

- 1 - Graaf de gaten volgens het bodemplan
- 2 - Plaats 2(2x)
- 3 - Plaats 1 en verbind deze aan 2
- 4 - Controleer of het toestel voldoet aan de afmetingen zoals op blad 'afmetingen'
- 5 - Dicht de gaten en verdicht het zand

Assembly sequence:

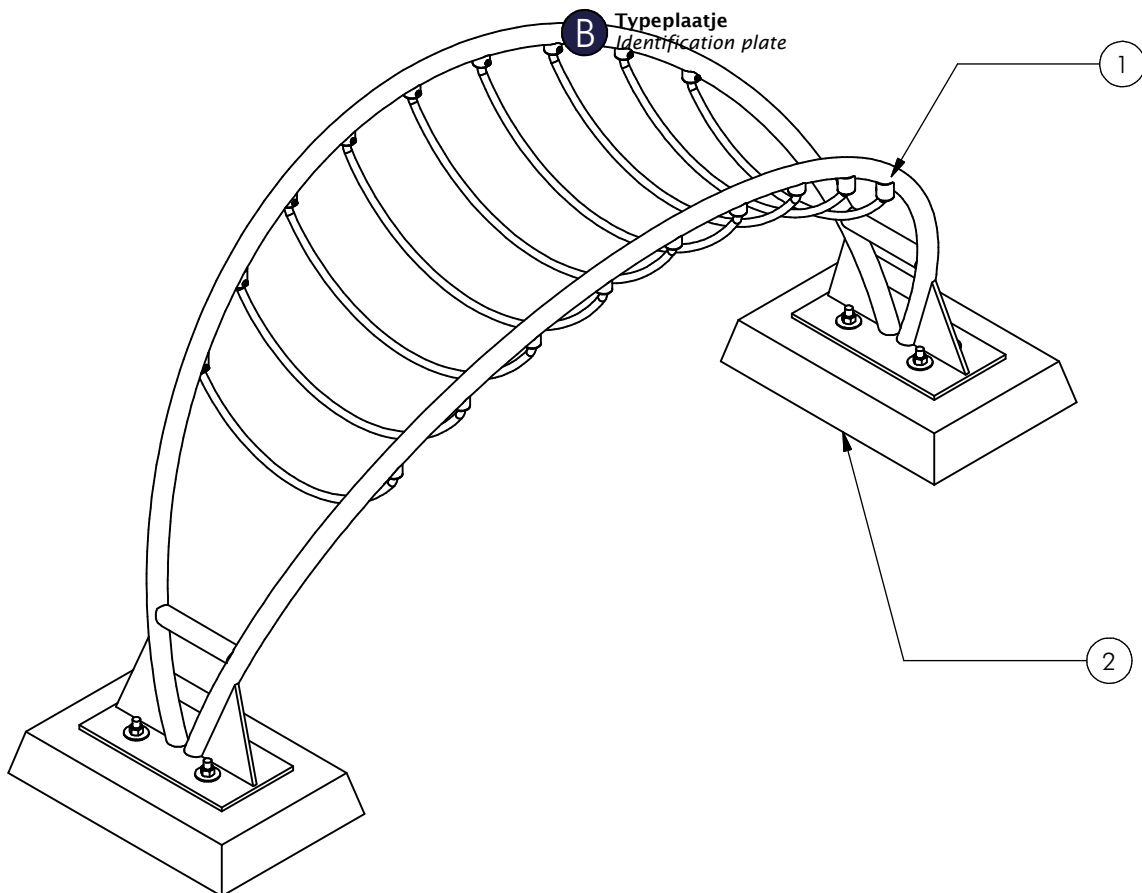
- 1 - Dig the holes according to the ground plan
- 2 - Plaats 2(2x)
- 3 - Place 1 and attach it to 2
- 4 - Check that the equipment conforms to the dimensions shown on sheet 'dimensions'
- 5 - Close the holes and compact the sand

Controles:

- 1 - Correcte opbouw en alle bevestigingsmiddelen
- 2 - Controleer de afmetingen van de valbodem t.o.v. het toestel

Checks:

- 1 - Correct assembly and all the fasteners
- 2 - Check the dimensions of the safety area with regard to the play equipment



Nr	#	Type	Progr.	Volgnr	Bew.	Rev.	Benaming	Opmerking
1	1	MOD	LTP	705	001	A	Bridge	Little Play
2	2	MOD	OBT	010	001		Poermodel 10	50 kilo



Benaming
Title Bridge

Opmerking
Comment Little Play

Datum
Date 11-11-2015

Tekening
Drawing

TOE LTP 381 705 A

Modules Modules

LTPE381.705

Little-Play Bridge

LOGBOOK

(Onderstaand logboek kan gebruikt worden om te voldoen aan de eisen, gesteld in artikel 14 van het Warenwetbesluit Attractie- en Speeltoestellen)

Type indication	Play triggers
Product code	LTPE381.705
Name of equipment	Little-Play Bridge
Maximum height of fall	< 0,6 m
Year of construction	2017
Certificate	100326350
inspection authority	Liftinstituut B.V. Buikslotermeerplein 381, A'dam - 1025 XE Amsterdam
Name manufacturer	BOERplay Hyacintstraat 2 - 4255 HX Nieuwendijk Phone: +31 (0)183 40 23 66 Fax: +31 (0)183 40 35 64
name installer	_____ _____
Description of equipment	Little-Play Bridge
Location of equipment	_____
Data about the owner of the play equipment	
Name:	_____
Address:	_____
Postcode and town:	_____
Contact person:	_____
Telephone number:	_____
Data about the administrator of the play equipment	
Name:	_____
Address:	_____
Postcode and town:	_____
Contact person:	_____
Telephone number:	_____

LOGBOOK

Inspection and maintenance intervals



Nr.	Inspection	Maintenance	months between inspections
1	Verify equipment's stability, junctions and missing parts. Inspect bolts, screws and nuts for absence, jams, corrosion and wear.	Add missing parts, secure joints, apply missing fixing agent and replace corroded parts.	1
2	Check suspension for wear.	Replace worn parts and/or remove non-functioning parts.	1
3	Inspect rotating parts such as hinges, rolling-element bearings, etc. for wear and acceptability.	Replace worn parts and/or remove non-functioning parts.	1
4	Check wood for splinters, unacceptable damage and signs of rot. Especially at ground level.	Repair damage. Replace affected wood. Smoothen splintered wood and sharp edges.	1
5	Inspect foundation for stability, tearing and coverage.	Restore foundation and covering material.	3
6	Examine rubber and synthetic parts for wear, damage and break.	Replace original parts.	3
7	Inspect metal for corrosion and damage in the coating.	Restore any damaged coating (after removing rust and applying primer).	6
8	Check ropes, cables, chains and nets for wear and damage. Steel cables and nets which are tensioned must be checked for tension.	Replace parts where necessary. Steel cables and nets must be tensioned.	3
9	Inspect equipment for unsafe changes and additions.	Remove unsafe additions and correct unsafe changes.	1
10	Inspect safety surfaces.	Restore and repair where necessary.	1

Remarks

1. If used intensively, all points require extra attention.
2. Extreme weather conditions and locations may require a higher inspection frequency. Discuss this with the supplier.
3. Vandalism-sensitive locations require stricter inspections, possibly daily.
4. Check the terrain regularly for items that do not belong there, are unsafe or may be used wrongly. Examples are poisonous plants, glass shards, etc. Frequency depends on strain.
5. Remember that bad maintenance leads to unsafe conditions and notably faster impoverishment of the playground area.
6. Replacement parts can be ordered at the manufacturer with the part numbers on the module drawing. Drawings can be found in de user guide.
7. The impact area shall be provided with impact attenuating surface according to the specified falling height.
8. This list is conform the CEN-standard "playground equipment and surfacing NEN-EN 1176-7".

TYPE-EXAMINATION CERTIFICATE

Acting under the "Warenwetbesluit Attractie- en Speeltoestellen" issued by Lifinstituut B.V.
commissioned by departmental order, no. VGP/PSL 2857566 from 27 Juni 2008.

Certificate nr. : NL12- 400-100326350 Revision nr.:

Description of the product : Bridge with cables

Trademark, type : Boer Speeltoestellen LTP 381 705UBP 100 007

Name and address of the manufacturer : Boer Speeltoestellen
Hyacintstraat 2
Nieuwendijk, NL

Name and address of the certificate holder : Boer Speeltoestellen
Hyacintstraat 2
Nieuwendijk, NL

Certificate issued on the basis of the following requirements : Warenwetbesluit Attractie- en Speeltoestellen,
NEN-EN 1176-1:2008.

Test laboratory : None

Date and number of the laboratory report : None

Date of type-examination : 03 September 2012 – 31 October 2012

Annexes with this certificate : Report belonging to the type-examination certificate
nr.: 100326350

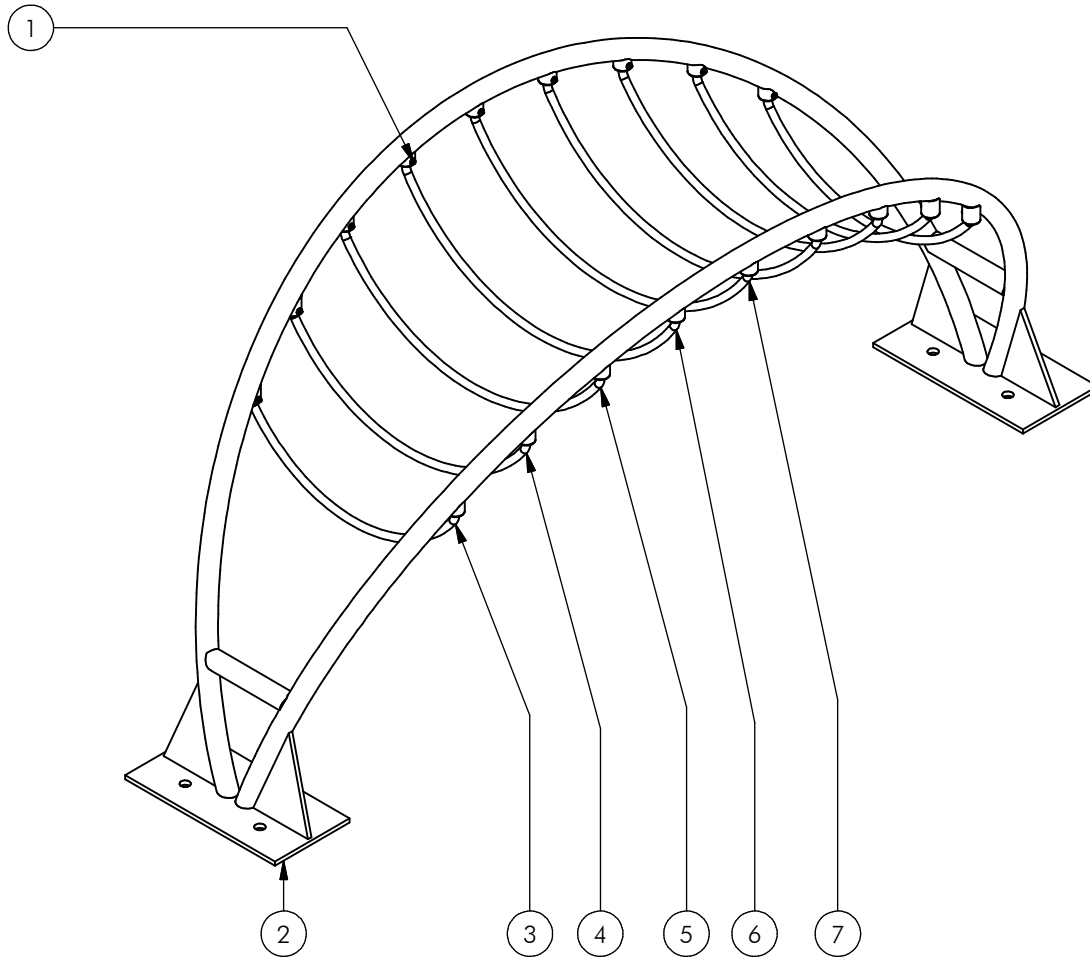
Additional remarks : None

Conclusion : The playground equipment meets the requirements of the above
specified European standard(s) and "Warenwetbesluit Attractie-
en Speeltoestellen" taking into account any additional remarks
mentioned above.

Issued in Amsterdam
Date of issue : 31 October 2012


ing. A.J. van Ommen
Manager Business Unit
Certification


Certification decision by



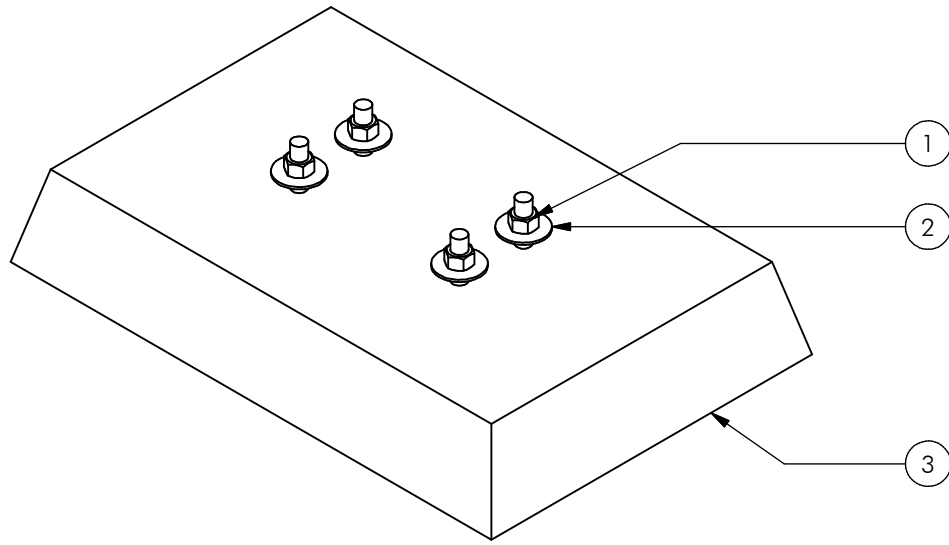
Nr	#	Type	Progr.	Volgnr	Bew.	Rev.	Benaming	Opmerking
1	18	BSV	025	006	030		Veiligheidsschroef	Pin-Torx - VZ 8.8
2	1	SME	LTP	002	906	A	Bridge	Little Play
3	2	SNT	LTP	007	090		Herculestouw	16 mm Zwart L=650
4	2	SNT	LTP	008	090		Hercules Touw	16 mm Zwart L=750
5	2	SNT	LTP	009	090		Hercules Touw	16 mm Zwart L=820
6	2	SNT	LTP	010	090		Herculestouw	16 mm Zwart L=850
7	1	SNT	LTP	011	090		Herculestouw	16 mm Zwart L=870



Benaming Title Bridge
 Opmerking Comment Little Play
 Datum Date 15-1-2016

Tekening Drawing

MOD LTP 705 001 A
 Samenstelling module Assembly module



Nr	#	Type	Progr.	Volgnr	Bew.	Rev.	Benaming	Opmerking
1	4	BSV	017	016	015		Zeskantmoer	M16 - VZ 8.8
2	4	BSV	035	016	050		Carrosseriering	M16 x 50 - VZ 8.8
3	1	OBT	POE	010	050		Poermodel 10	50 kg



Benaming
Title Poermodel 10

Opmerking
Comment 50 kilo

Datum
Date 27-8-2015

Tekening
Drawing

MOD OBT 010 001

Samenstelling module Assembly module