

# Adventure Play

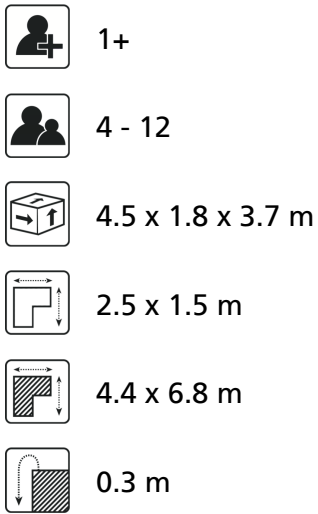
## PSTE110.017

Hill house with slide



# PSTE110.017

Hill house with slide



## Playfunctions

Sliding, play house

## Material

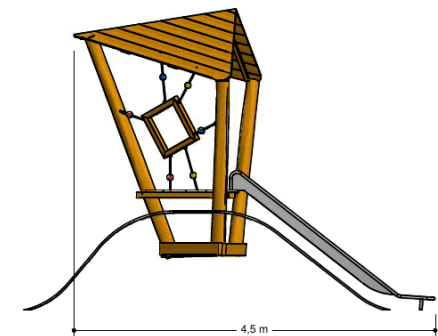
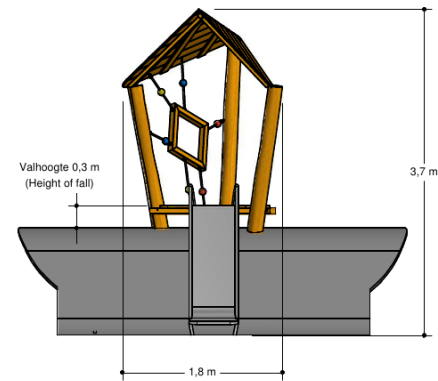
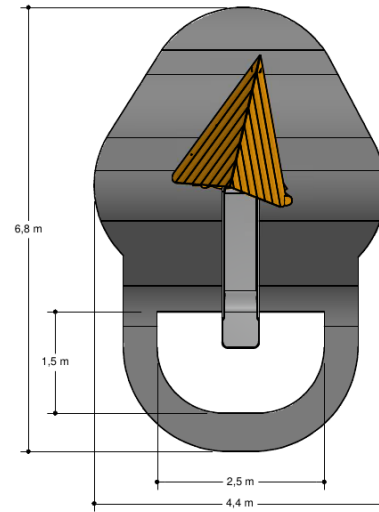
Made of irregularly shaped Acacia Robinia FSC certified wood. This European hardwood had a sustainability of class I according to EN 350 and is free of sapwood. The timber units are finished with stainless steel components 340 / K320-ground quality. Matching slides are stainless steel 304 quality polished stainless steel and all fastenings of a A2 quality. The rope constructions are made of vandal resistant 16 mm Hercules rope in the colour black

## Anchorage

Galvanized steel base plates

## Comments

The impact area must have impact absorbing properties belonging to the specified free height of fall. The obstacle-free zone shall be completely free of obstacles.



## Opvangzone Impact area

□ WAS, Dutch law

□ EN1176

## Obstakelvrije zone Obstacle free zone

□ WAS, Dutch law

□ EN1176

