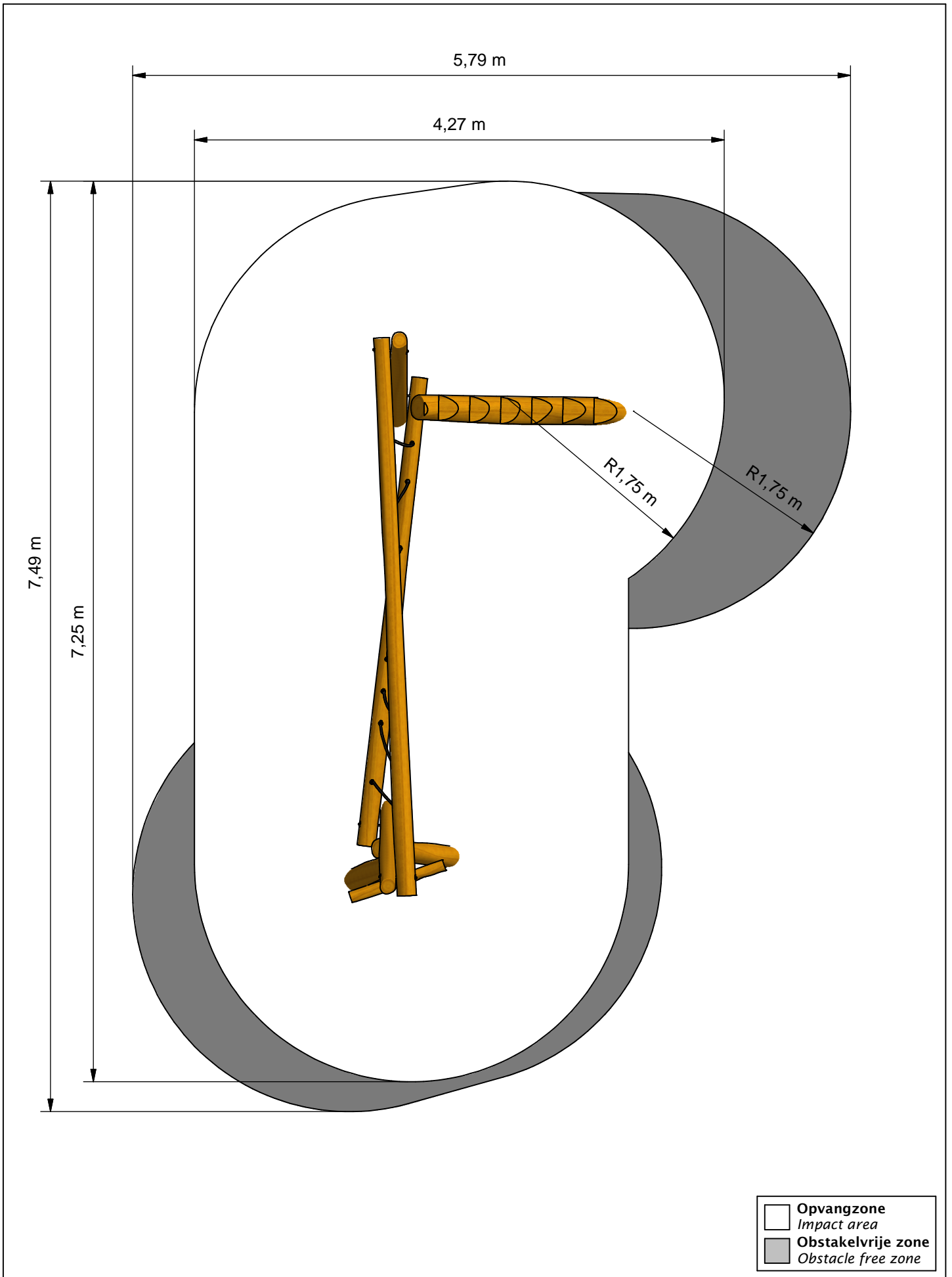




Liana bridge



PSTE105.003



Benaming
Title | Liaanbrug

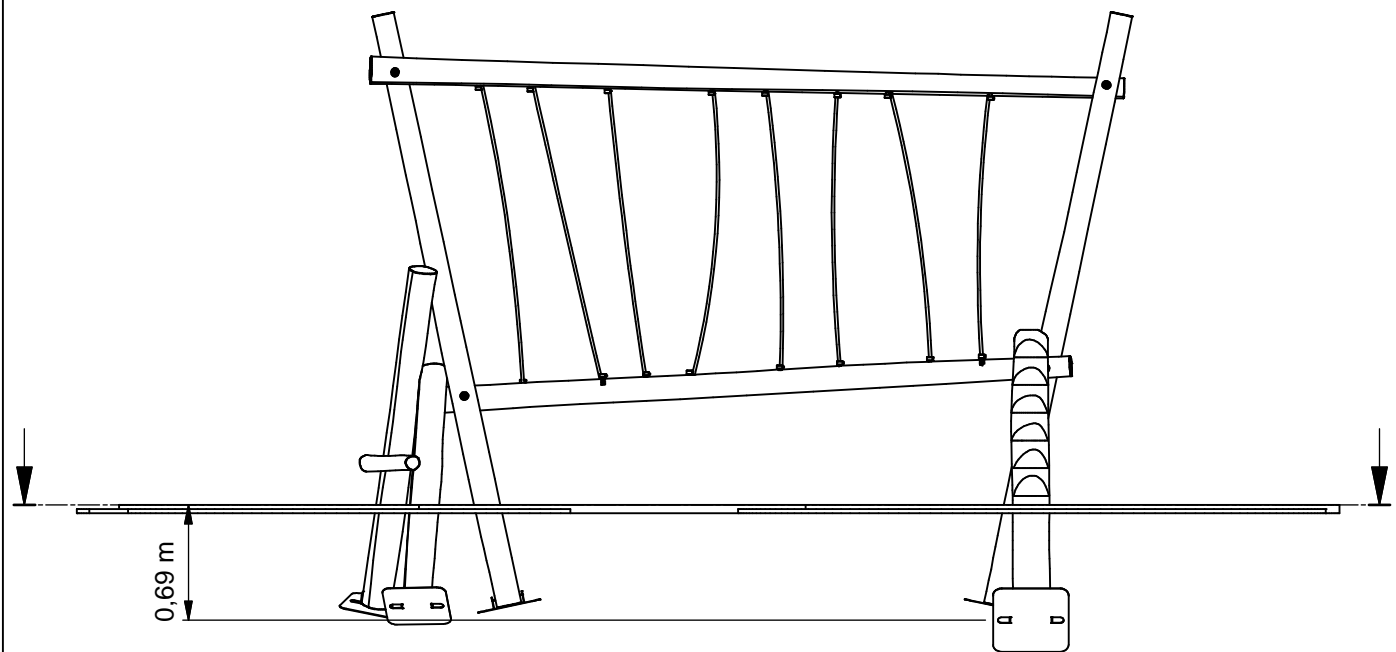
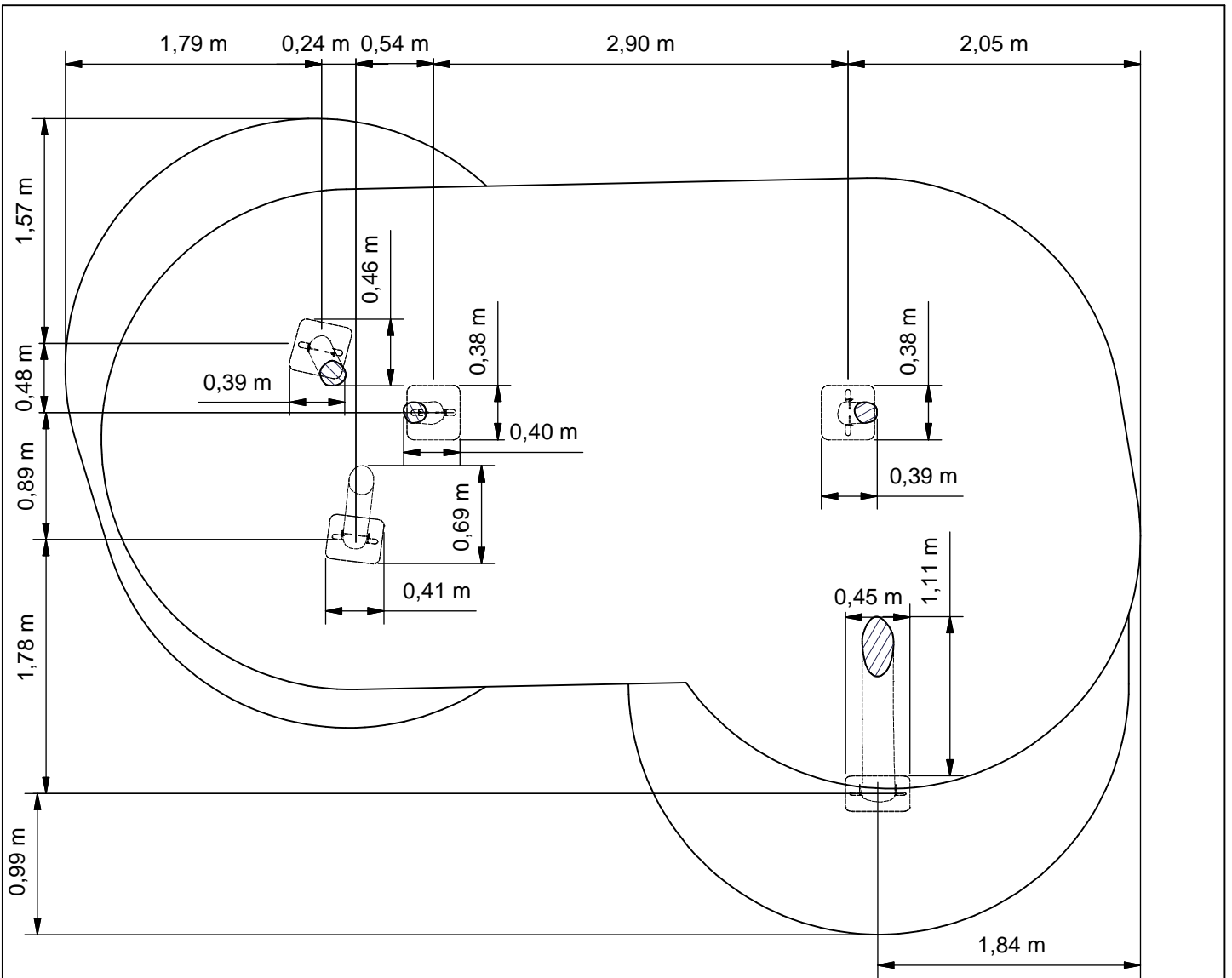
Opmerking
Comment | Adventure Play

Datum
Date | 19-3-2014

Tekening
Drawing

TOE PST 105 003 B

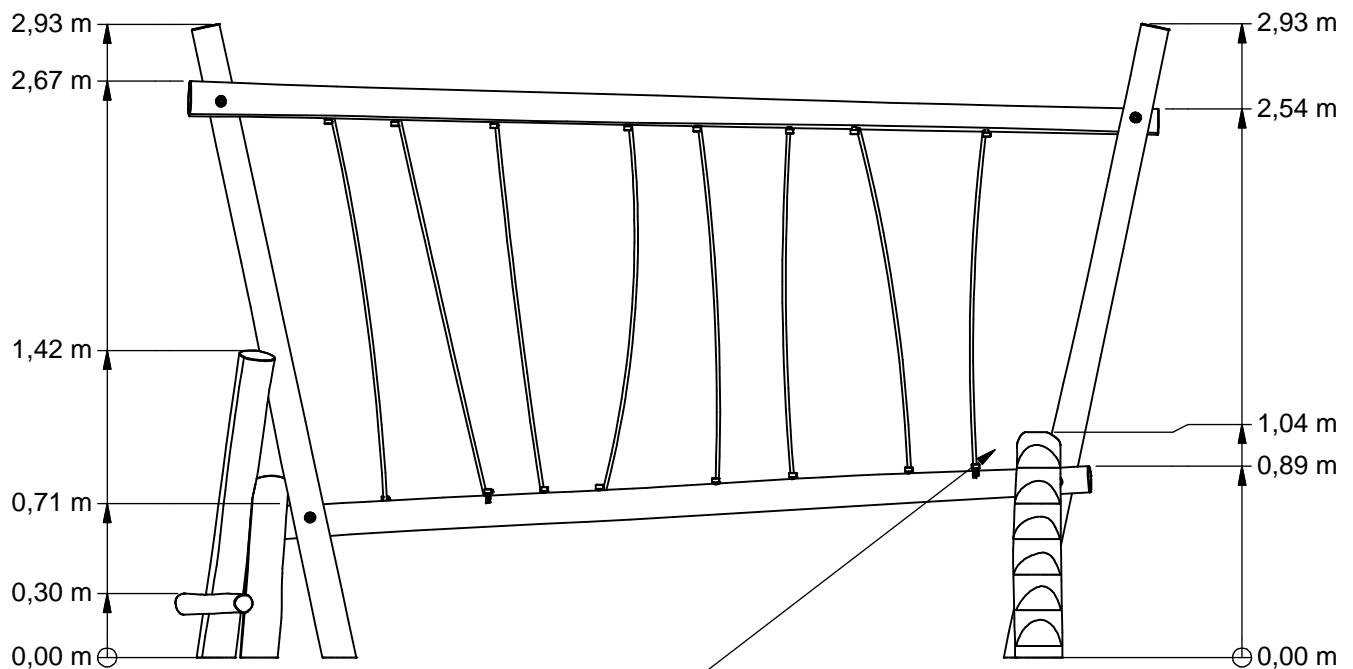
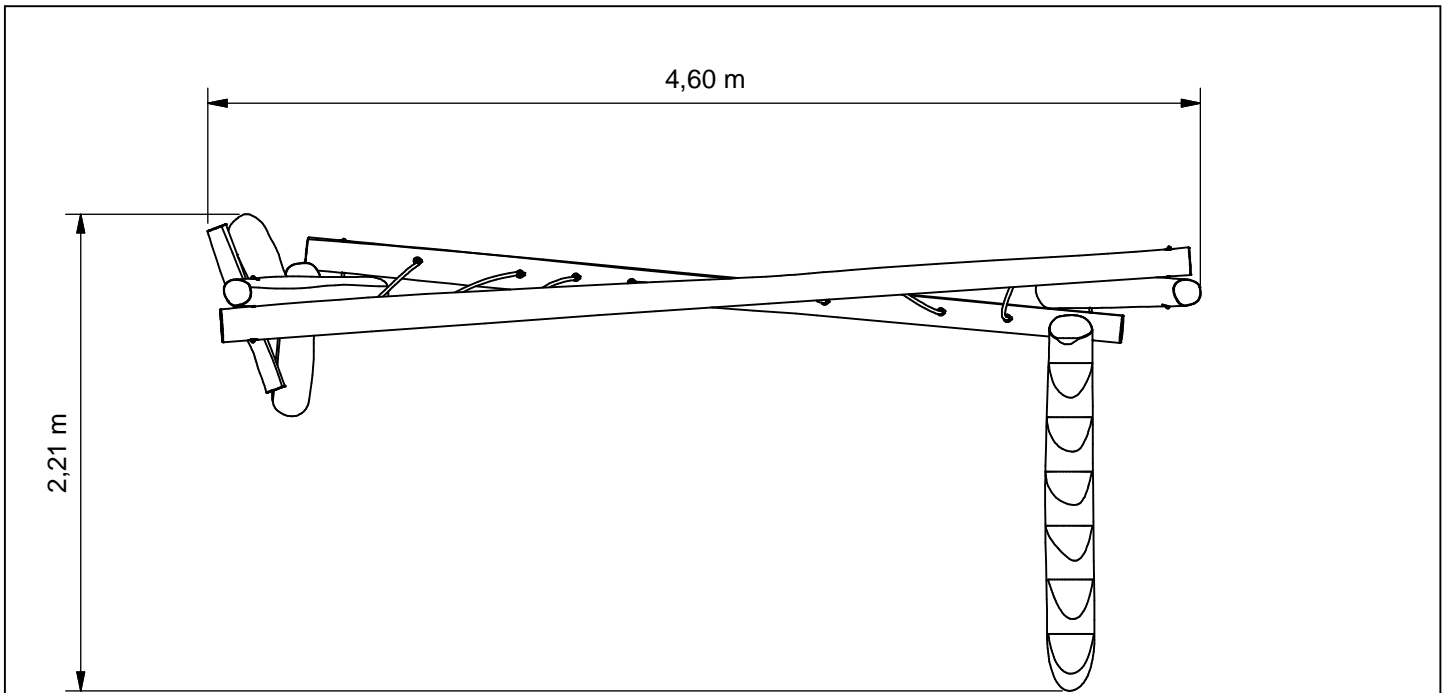
Obstakelvrije zone *Obstacle free zone*



Benaming Title	Liaanbrug
Opmerking Comment	Adventure Play
Datum Date	19-3-2014

Tekening
Drawing

TOE PST 105 003 B
Bodemplan *Groundplan*



Let op! creer geen halsbeknelling



Benaming
Title | Liaanbrug

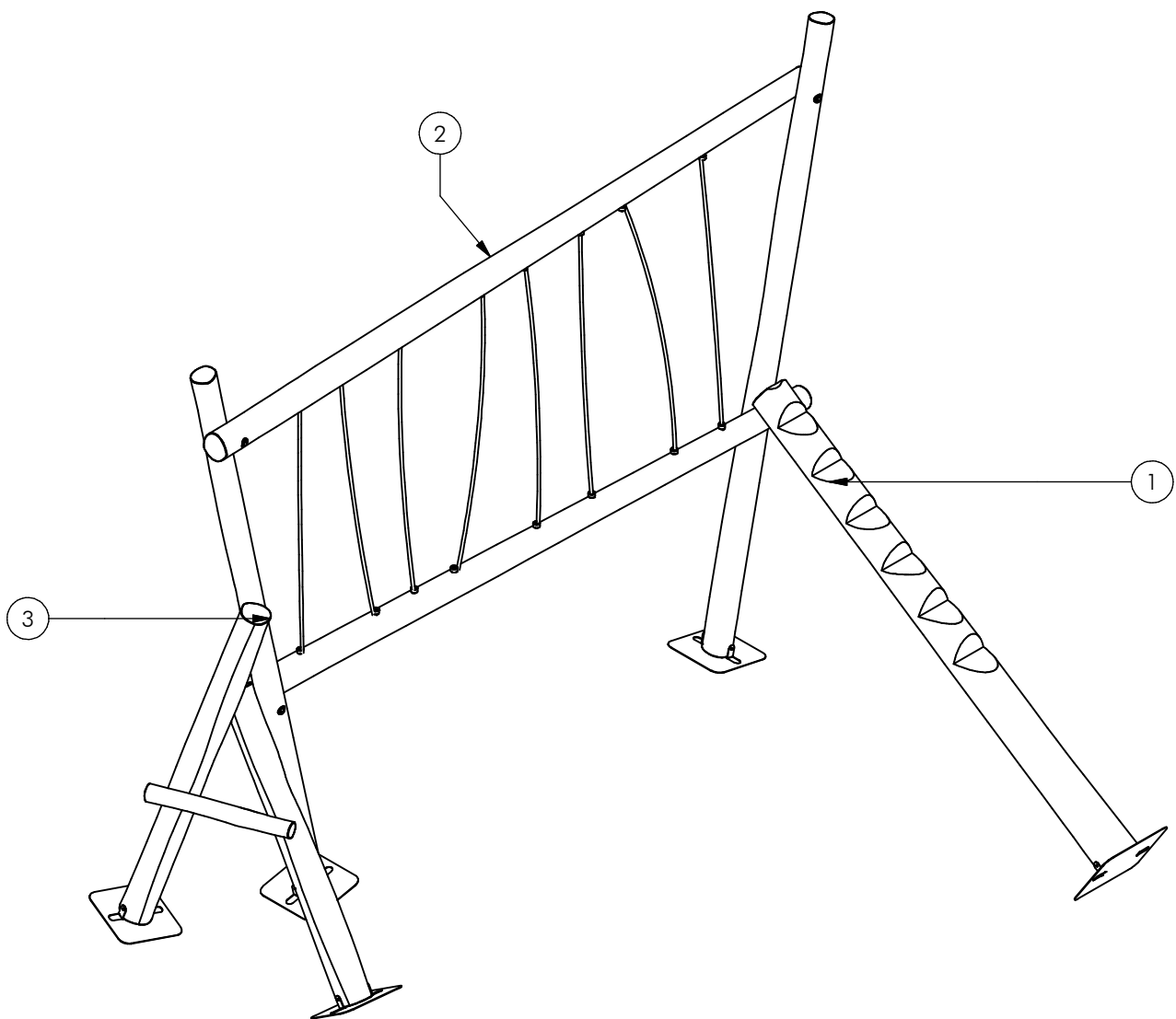
Opmerking
Comment | Adventure Play

Datum
Date | 19-3-2014

Tekening
Drawing

TOE PST 105 003 B

Afmetingen Dimensions



Nr	#	Type	Progr.	Volgnr	Bew.	Rev.	Benaming	Opmerking
1	1	MOD	PST	026	006		Boomtrap 1,0m los +anker	Adventure Play
2	1	MOD	PST	027	001	A	Liaanbrug	Adventure Play
3	1	MOD	PST	105	003		Ondersteuning	tbv PST.105.003



Benaming
Title | Liaanbrug

Opmerking
Comment | Adventure Play

Datum
Date | 19-3-2014

Tekening
Drawing

TOE PST 105 003 B

Modules Modules

Geleverde delen:

- A - Staander met ondersteuning
- B - Liggers met Hercules touwen
- C - Losse staander
- D - Boomtrap

Bevestiging sets:

- 1 t/m 4 - RVS M12 verbindingen voor de palen

Montagevolgorde:

- 1 - Graaf de gaten volgens het bodemplan
- 2 - Plaats A, verbind A en B met 1 en 2
- 3 - Plaats C, verbind C en B met 3 en 4
- 4 - Plaats D, verbind D en de onderste ligger van B
- 5 - Controleer of het toestel voldoet aan de afmetingen zoals op blad 'afmetingen'
- 6 - Dicht de gaten en verdicht het zand

Controles:

- 1 - Correcte opbouw en alle bevestigingsmiddelen
- 2 - Controleer de afmetingen van de valbodem t.o.v. het toestel
- 3 - Maximale hoogte van deel A moet onder de 150 cm zijn
- 4 - De touwen mogen niet kruisen met elkaar of andere onderdelen van het toestel

Supplied parts:

- A - Supported post
- B - Horizontal posts with Hercules ropes
- C - Loose post
- D - Tree stairs

Mounting kits:

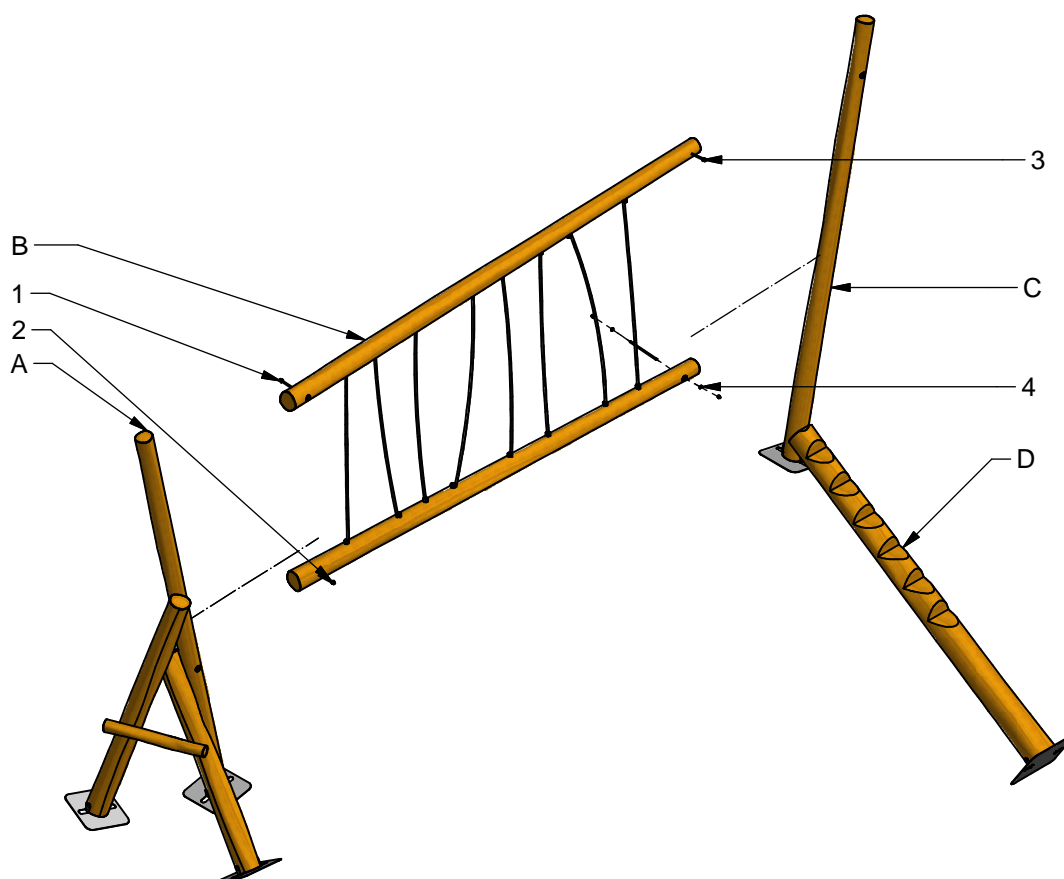
- 1 to 4 - Stainless steel M12 fasteners for the posts

Assembly sequence:

- 1 - Dig the holes according to the ground plan
- 2 - Place A, attach A and B with 1 and 2
- 3 - Place C, attach C and B with 3 and 4
- 4 - Place D, attach D and the lower post of B
- 5 - Check that the equipment conforms to the dimensions shown on sheet 'dimensions'
- 6 - Close the holes and compact the sand

Checks:

- 1 - Correct assembly and all the fasteners
- 2 - Check the dimensions of the safety area compared to the play equipment
- 3 - The maximum height of A should not exceed 150 cm
- 4 - The ropes may not cross each other or other parts of the equipment



PSTE105.003

Liana bridge

LOGBOOK

(Onderstaand logboek kan gebruikt worden om te voldoen aan de eisen, gesteld in artikel 14 van het Warenwetbesluit Attractie- en Speeltoestellen)

Type indication	Adventure Play
Product code	PSTE105.003
Name of equipment	Liaanbrug
Maximum height of fall	1,4 m
Year of construction	2017
Certificate	032689
inspection authority	TUV Nederland QA BV De Waal 21c, Best - 5684 PH Best
Name manufacturer	BOERplay Hyacintstraat 2 - 4255 HX Nieuwendijk Phone: +31 (0)183 40 23 66 Fax: +31 (0)183 40 35 64
name installer	_____ _____
Description of equipment	Liana bridge
Location of equipment	_____
Data about the owner of the play equipment	
Name:	_____
Address:	_____
Postcode and town:	_____
Contact person:	_____
Telephone number:	_____
Data about the administrator of the play equipment	
Name:	_____
Address:	_____
Postcode and town:	_____
Contact person:	_____
Telephone number:	_____

LOGBOOK

Inspection and maintenance intervals



Nr.	Inspection	Maintenance	months between inspections
1	Verify equipment's stability, junctions and missing parts. Inspect bolts, screws and nuts for absence, jams, corrosion and wear.	Add missing parts, secure joints, apply missing fixing agent and replace corroded parts.	1
2	Check suspension for wear.	Replace worn parts and/or remove non-functioning parts.	1
3	Inspect rotating parts such as hinges, rolling-element bearings, etc. for wear and acceptability.	Replace worn parts and/or remove non-functioning parts.	1
4	Check wood for splinters, unacceptable damage and signs of rot. Especially at ground level.	Repair damage. Replace affected wood. Smoothen splintered wood and sharp edges.	1
5	Inspect foundation for stability, tearing and coverage.	Restore foundation and covering material.	3
6	Examine rubber and synthetic parts for wear, damage and break.	Replace original parts.	3
7	Inspect metal for corrosion and damage in the coating.	Restore any damaged coating (after removing rust and applying primer).	6
8	Check ropes, cables, chains and nets for wear and damage. Steel cables and nets which are tensioned must be checked for tension.	Replace parts where necessary. Steel cables and nets must be tensioned.	3
9	Inspect equipment for unsafe changes and additions.	Remove unsafe additions and correct unsafe changes.	1
10	Inspect safety surfaces.	Restore and repair where necessary.	1

Remarks

1. If used intensively, all points require extra attention.
2. Extreme weather conditions and locations may require a higher inspection frequency. Discuss this with the supplier.
3. Vandalism-sensitive locations require stricter inspections, possibly daily.
4. Check the terrain regularly for items that do not belong there, are unsafe or may be used wrongly. Examples are poisonous plants, glass shards, etc. Frequency depends on strain.
5. Remember that bad maintenance leads to unsafe conditions and notably faster impoverishment of the playground area.
6. Replacement parts can be ordered at the manufacturer with the part numbers on the module drawing. Drawings can be found in de user guide.
7. The impact area shall be provided with impact attenuating surface according to the specified falling height.
8. This list is conform the CEN-standard "playground equipment and surfacing NEN-EN 1176-7".

Warenwet

Certificaat van Typeonderzoek Type Examination Certificate


afgegeven door issued by

TÜV Nederland QA BV




aangewezen bij ministeriële beschikking van
4 mei 2012, nr. VGP 3113590

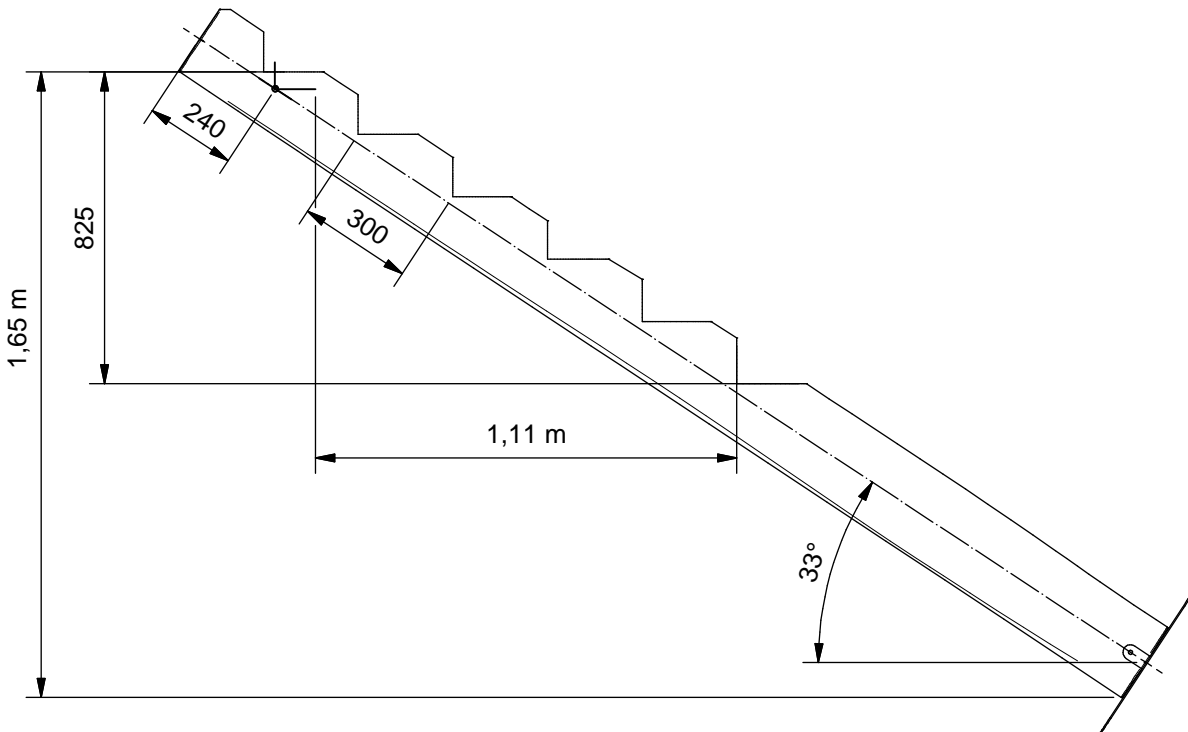
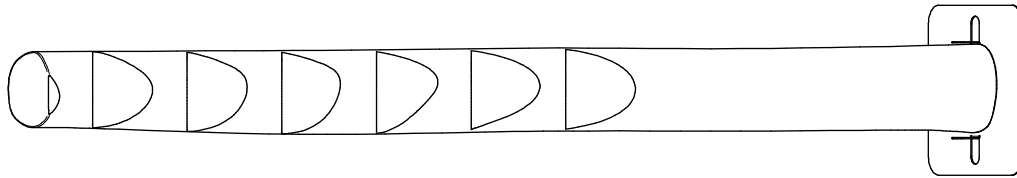
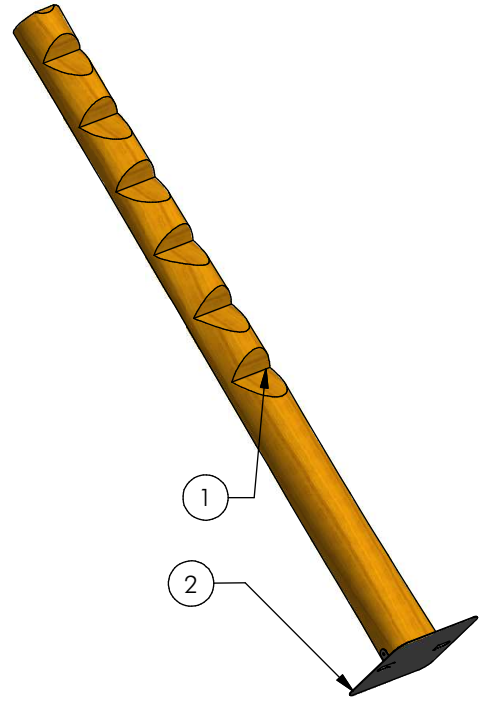
commissioned by departmental order
of 4 May 2012, no. VGP 3113590

Certificaat nr. Certificate nr.	032689TA_20130520	Dossiernr. File nr.	032689TA
Productomschrijving Product description	Liaanbrug		
Evt. nadere aanduidingen Further indications	Vrije valhoogte 1,5 m / free height of fall 1,5 m		
voor nadere informatie zie bijbehorend rapport met gelijkkluidend dossiernr. for further information see associated report with identical file nr.			
Eigenaar / certificaathouder en adres Owner/certificate holder and address	Boer Speeltoestellen B.V. Hyacintstraat 2 4255 HX Nieuwendijk		
Soort toestel Category of equipment	Speeltoestel / Playground equipment		
Fabrikant Manufacturer	Boer Speeltoestellen B.V. Hyacintstraat 2 4255 HX Nieuwendijk		
Type/Serienummer Type/Serial number	PST.105.003 /	in te vullen door de fabrikant to be filled out by the manufacturer	
Jaar van fabricage Year of construction	vanaf 2012 since		
Leverancier Supplier	Boer Speeltoestellen B.V. Hyacintstraat 2 4255 HX Nieuwendijk		
Jaar van levering Year of supply	in te vullen door de leverancier to be filled out by the supplier		
Datum keuring Date of examination	11-07-2012 - 20-05-2013		

TÜV Nederland QA BV, de Waal 21C, NL-5684 PH Best verklaart, dat het bovenaangehaalde toestel voldoet aan de vervaardigingvoorschriften genoemd in het Warenwetbesluit attractie- en speeltoestellen (met als leidraad de normatieve documenten NEN-EN 1176:2008).

TÜV Nederland QA BV declares that the here above mentioned equipment meets the safety and health requirements mentioned in the Dutch law "Warenwetbesluit attractie- en speeltoestellen" (guided by normative documents EN 1176:2008).

Namens het bestuur, For the board, A.C. Boon Directeur	
---	--



Nr	#	Type	Progr.	Volgnr	Bew.	Rev.	Benaming	Opmerking
1	1	OHO	PST	250	030		Paal 20-25	Lengte =3000
2	1	OME	PST	040	VZP		Voetplaat 250	Adventureplay



Benaming
Title Boomtrap 1,0m los +anker

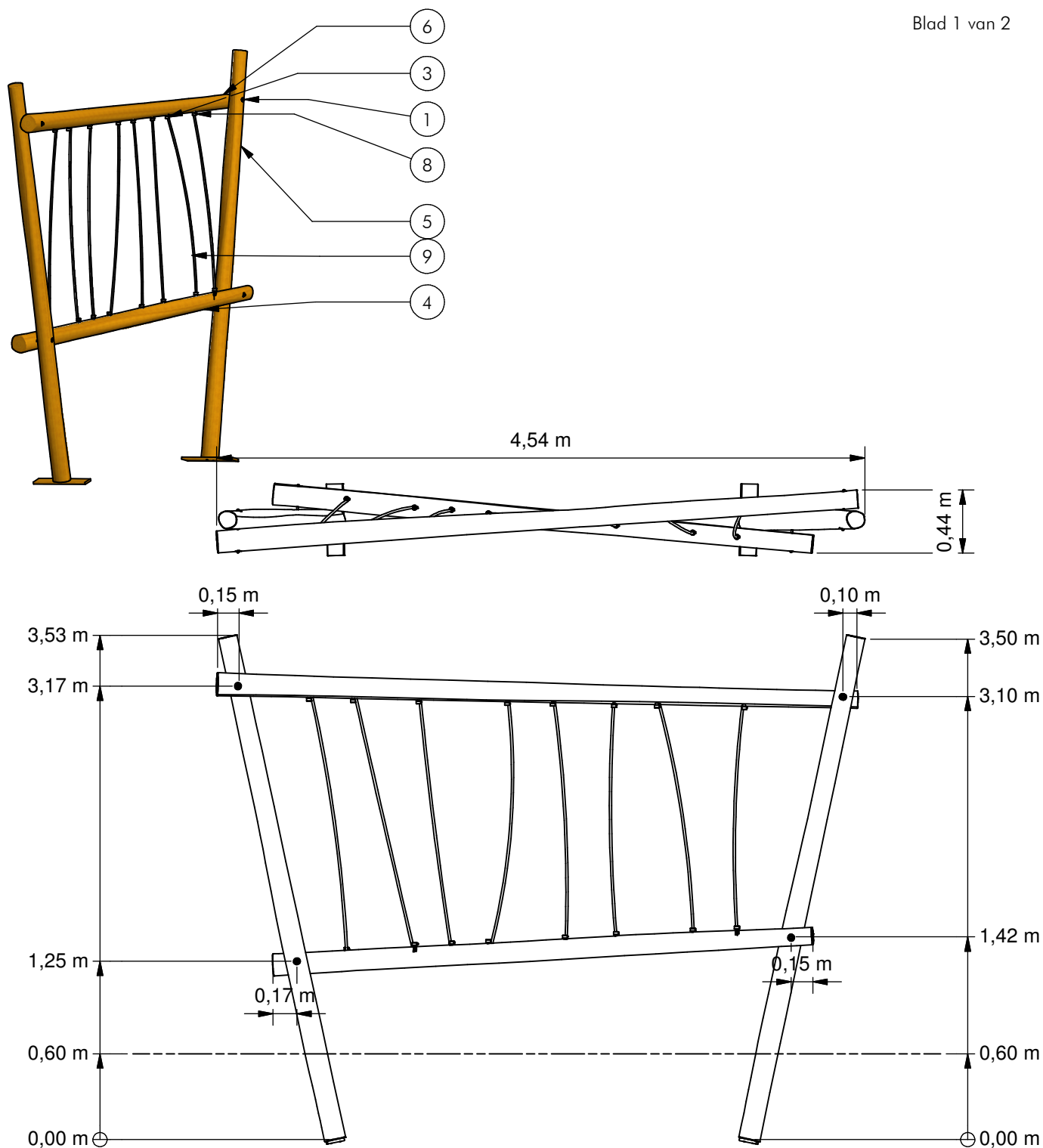
Opmerking
Comment Adventure Play

Datum
Date 10-11-2011

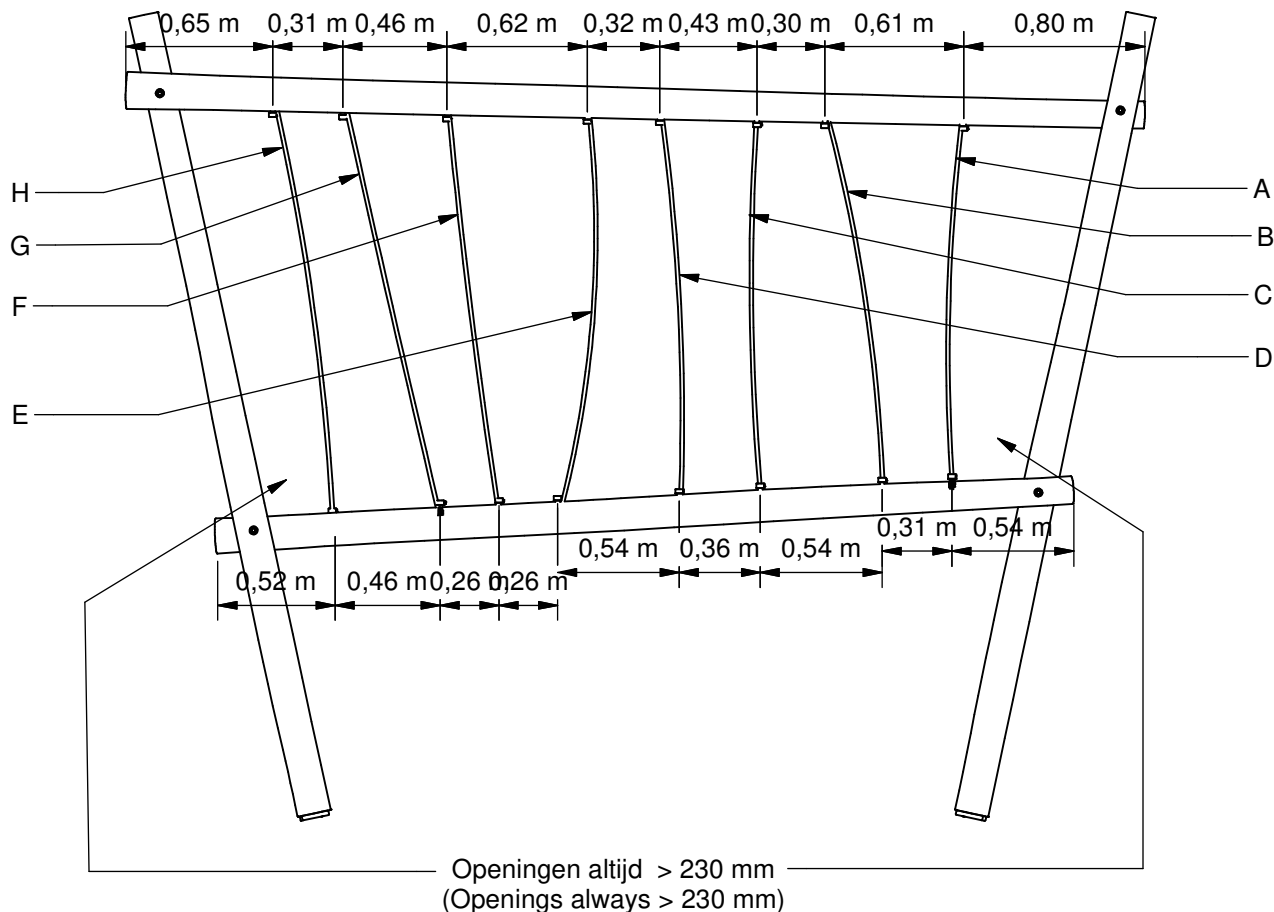
Tekening
Drawing

MOD PST 026 006

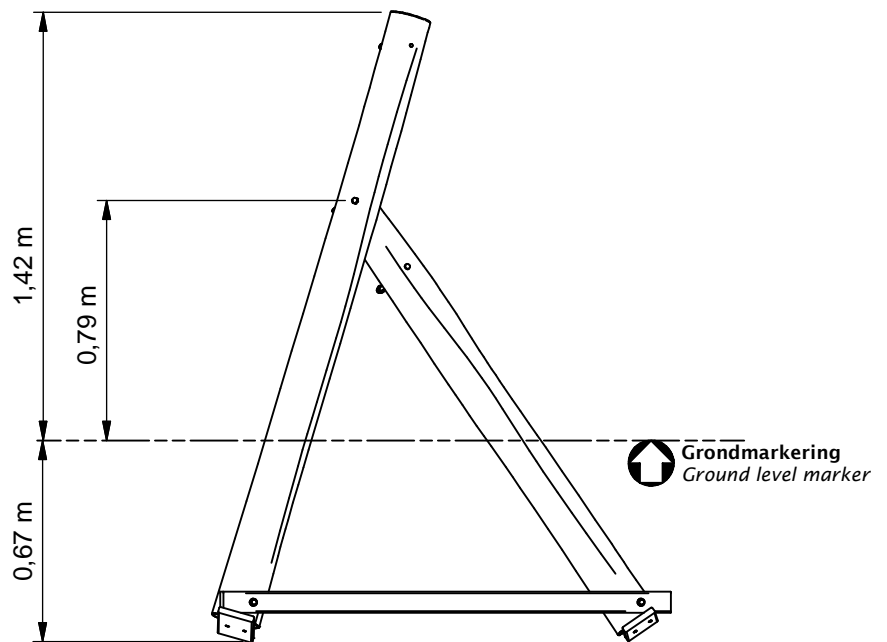
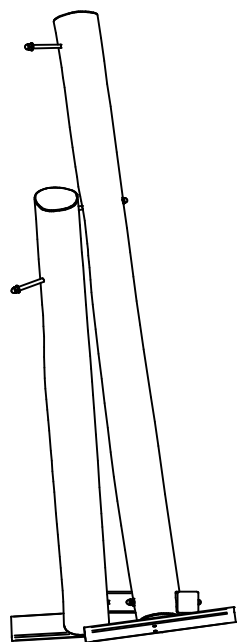
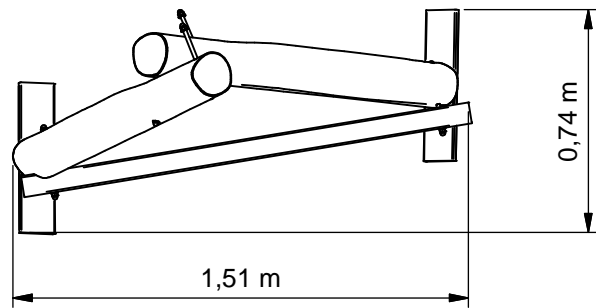
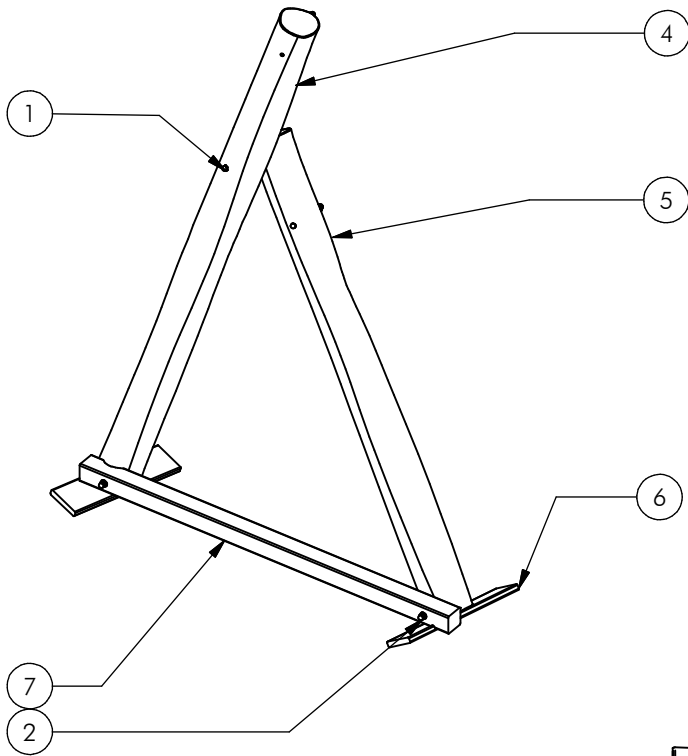
Samenstelling module *Assembly module*



Nr	#	Type	Progr.	Volgnr	Bew.	Rev.	Benaming	Opmerking
1	4	BMR	SET	M12	260		Slotbout+dopm.+ringen	M12, L 300 tot 360 mm
2	4	BSR	002	005	070		Schroef Assy	5 x 70 - RVS A2-70
3	16	BSV	025	006	030		Veiligheidsschroef	Pin-Torx - VZ 8.8
4	1	OHO	PST	160	038		Paal 14-16	Lengte =3800
5	2	OHO	PST	160	036		Paal 14-16	Lengte =3600
6	1	OHO	PST	160	045		Paal 14-16	Lengte =4500
7	2	OHO	PST	211	050		Standaard plank 120x20	Lengte = 500
8	16	OME	BUS	002	RVS		Bus RVS schroefdraad	touw d16
9	1	SNT	PST	016	004		Liaannet	Adventure Play



- A: 1800 mm
- B: 1800 mm
- C: 1800 mm
- D: 1800 mm
- E: 1800 mm
- F: 1970 mm
- G: 1970 mm
- H: 1970 mm



Nr.	#	Type	Progr.	Volgnr.	Bew.	Rev.	Benaming	Opmerking
1	3	BMR	SET	M12	240		Slotbout+dopm.+ringen	M12, L= 240, RVS A2-70
2	2	BMR	SET	M12	220		Slotbout+dopm.+ringen	M12, L= 220, RVS A2-70
3	4	BSR	002	005	070		Schroef Assy	5 x 70 - RVS A2-70
4	1	OHO	PST	160	021		Paal 14-16	Lengte =2100
5	1	OHO	PST	160	017		Paal 14-16	Lengte =1700
6	2	OHO	PST	211	050		Standaard plank 120x20	Lengte = 500
7	1	OHO	PST	307	150		70 mm Vierkante paal	1500 mm Lengte



Benaming / Title: Ondersteuning
 Opmerking / Comment: tbv PST.105.003
 Datum / Date: 30-10-2017

Tekening / Drawing

MOD PST 105 003 A
 Samenstelling module Assembly module