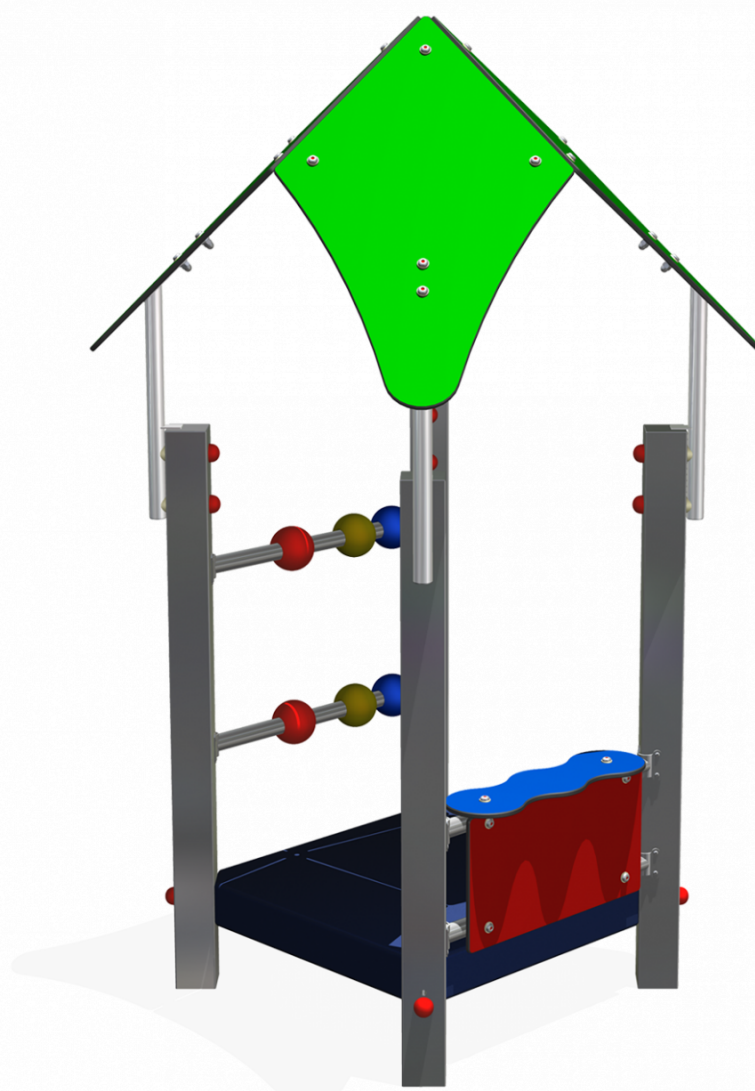
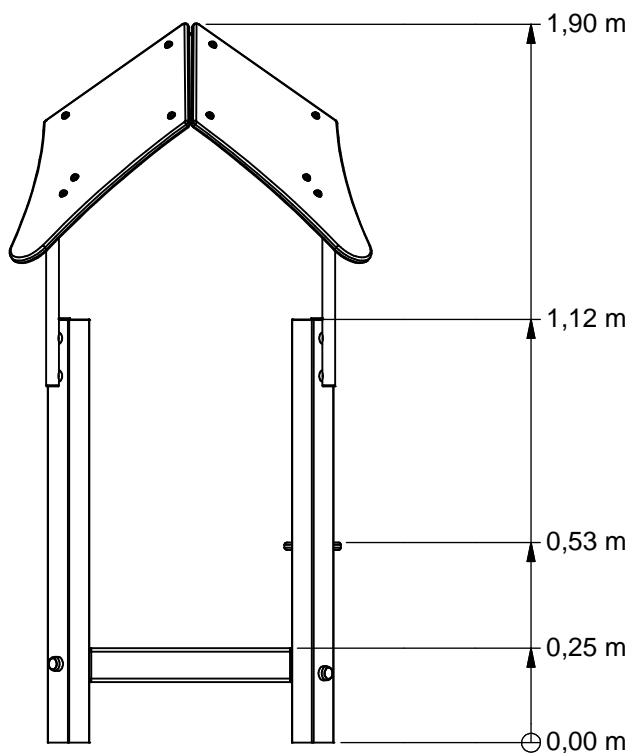
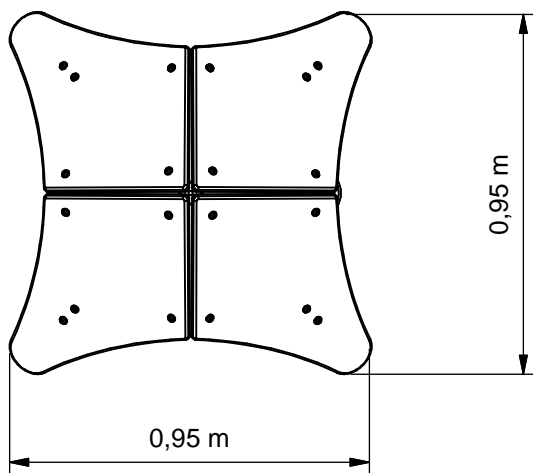




# Playhouse



UKPE014.01R

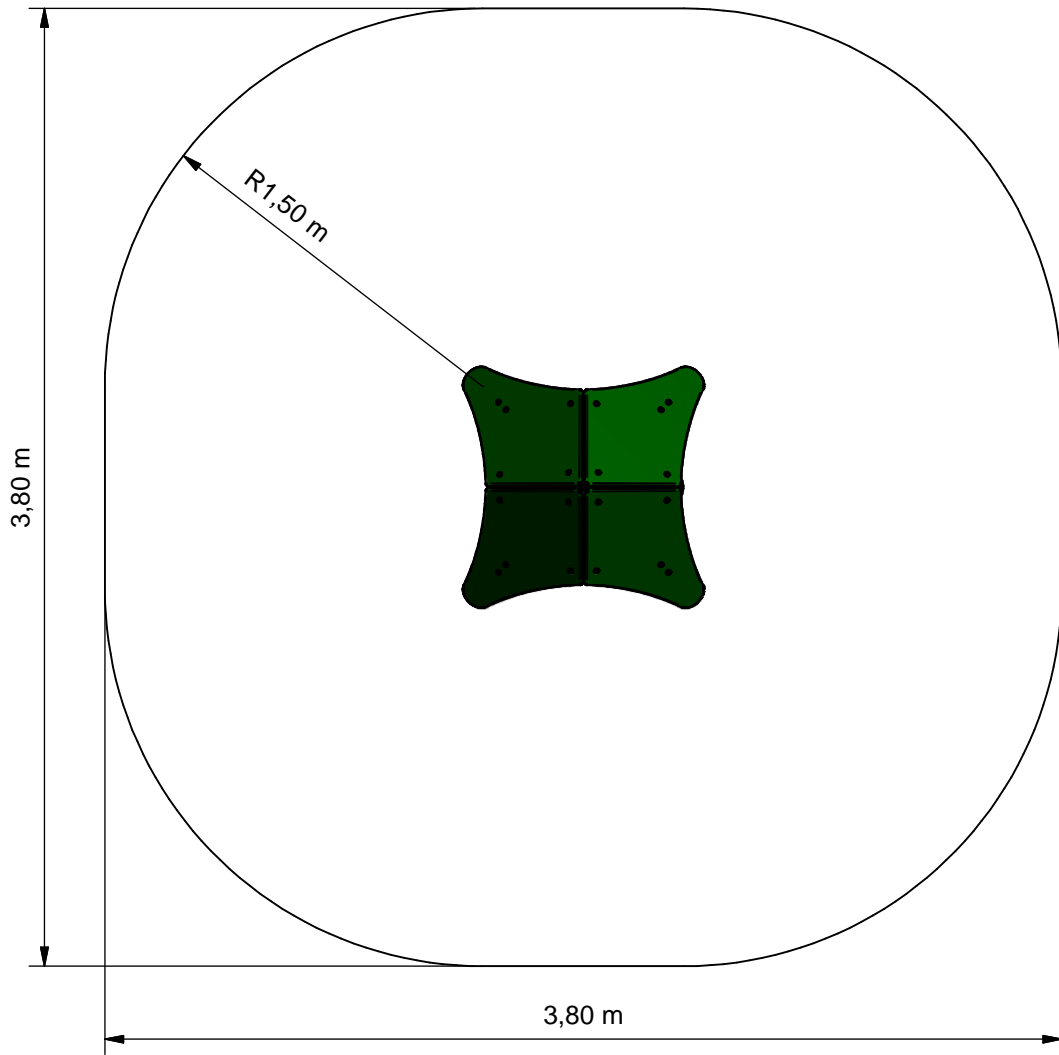




Benaming Title	Ukkepuk
Opmerking Comment	RVS
Datum Date	7-4-2014

Tekening  
Drawing

# TOE UKP 014 01R A

Afmetingen Dimensions



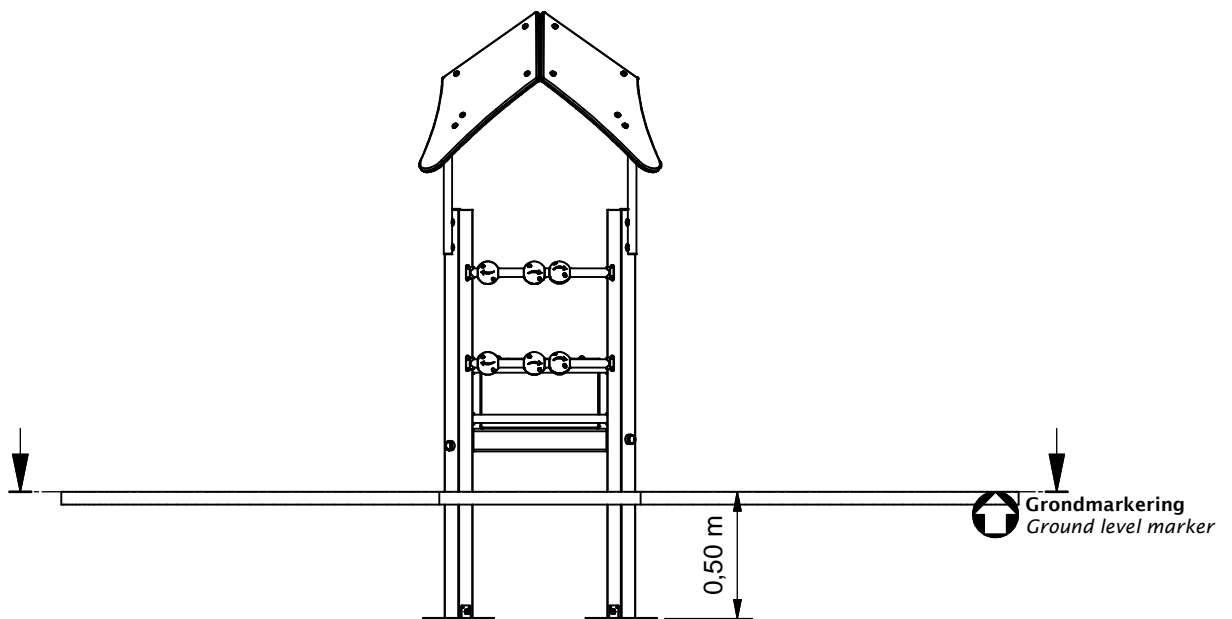
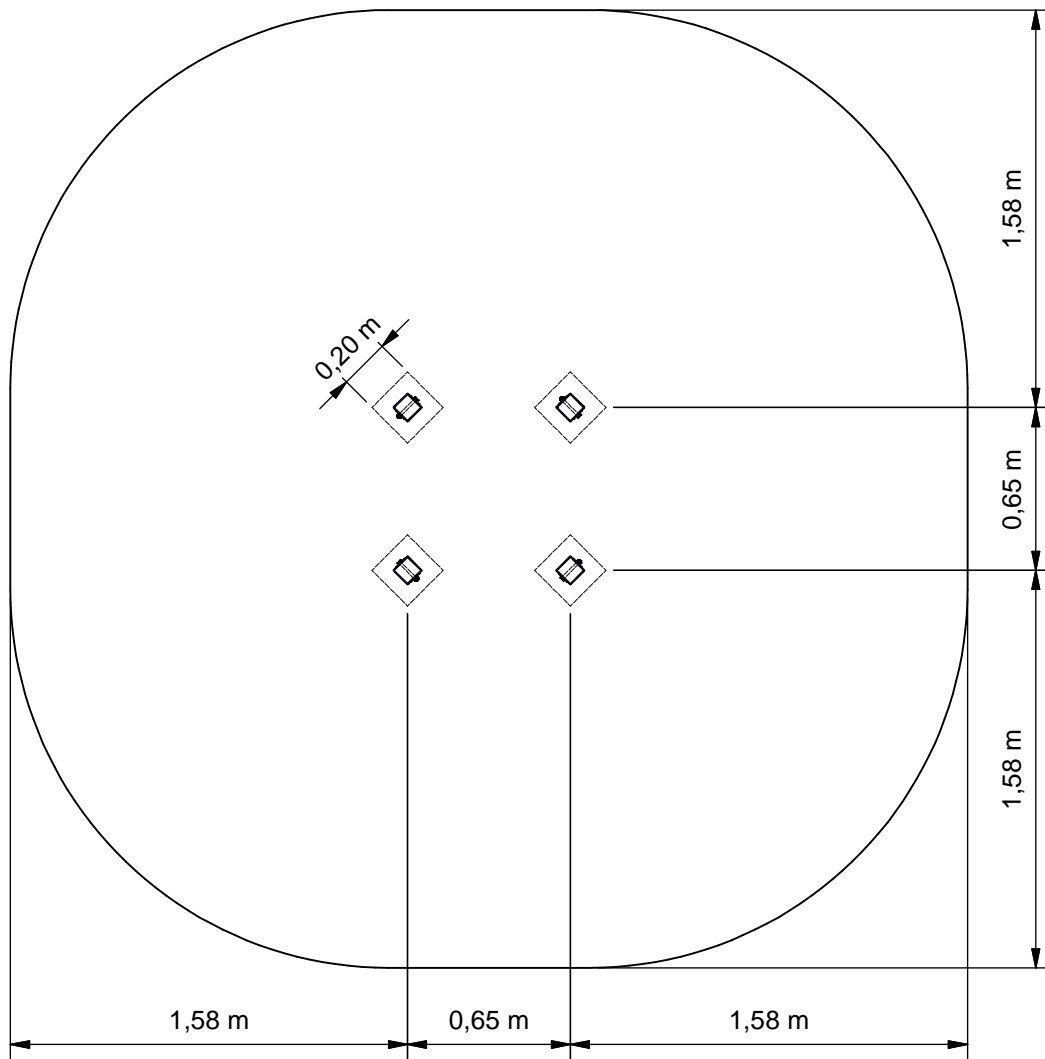
	<b>Opvangzone</b> <i>Impact area</i>
	<b>Obstakelvrije zone</b> <i>Obstacle free zone</i>



Benaming <i>Title</i>	Ukkepuk
Opmerking <i>Comment</i>	RVS
Datum <i>Date</i>	7-4-2014

Tekening  
*Drawing*

**TOE UKP 014 01R A**  
**Obstakelvrije zone** *Obstacle free zone*



Benaming / Title: Ukkepek  
 Opmerking / Comment: RVS  
 Datum / Date: 7-4-2014

Tekening / Drawing

TOE UKP 014 01R A  
 Bodemplan Groundplan

**Geleverde modules:**

Zie tabel

**Montageinstructie:**

- De hoofdmaten geven de maten van de standers en vloeren aan
- De detailtekeningen geven specifiek de maten van de verbindingen aan
- De modules met buizen zijn op de tekeningen bemaat op bovenkant kopplaat
- Overige modules zijn bemaat op de bovenkant (klimwanden, paalkoppen, etc.)

**Montagevolgorde:**

- 1 - Graaf de gaten volgens het bodemplan
- 2 - Plaats toren A met 1,2,3,4
- 3 - Controleer of het toestel voldoet aan de afmetingen zoals op blad 'afmetingen'
- 4 - Dicht de gaten en verdicht het zand

**Controles:**

- 1 - Correcte opbouw en alle bevestigingsmiddelen
- 2 - Controleer de afmetingen van de valbodem t.o.v. het toestel

**Supplied modules:**

See table

**Assembly instruction:**

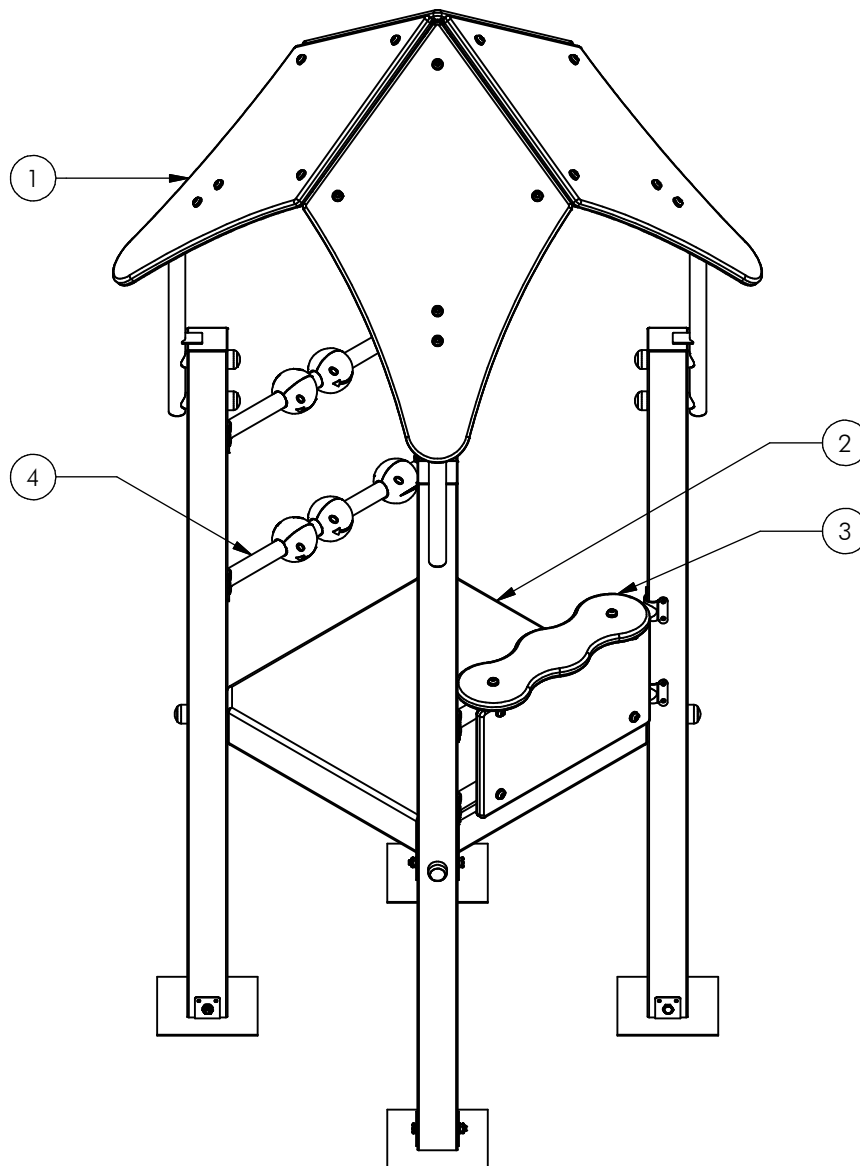
- The main dimensions indicate the dimensions of the posts and floors
- The detailed dimensions show the specific dimensions of the connections
- The modules which contain tubes are dimensioned at the top of the flanges
- Other modules are dimensioned at the top (climbing walls, caps for the posts, etc.)

**Installation sequence:**

- 1 - Dig the holes according to the ground plan
- 2 - Place tower A with 1,2,3,4
- 3 - Check that the unit conforms to the dimensions on sheet 'dimensions'
- 4 - Close the holes and compacted the sand

**Checks:**

- 1 - Correct assembly and all the fasteners
- 2 - Check the dimensions of the safety area with regard to the play equipment



Nr	#	Type	Progr.	Volgnr	Bew.	Rev.	Benaming	Opmerking
1	1	MOD	UKP	RVS	103	A	DAK	UKKEPUK
2	1	MOD	UKP	RVS	109		TOREN SPEELHUIS	UKKEPUK
3	1	MOD	UKP	RVS	121	A	Toonbank	Ukkepuk
4	1	MOD	UKP	RVS	135		TELBOL DUBBEL	UKKEPUK



Benaming  
Title: Ukkepuk

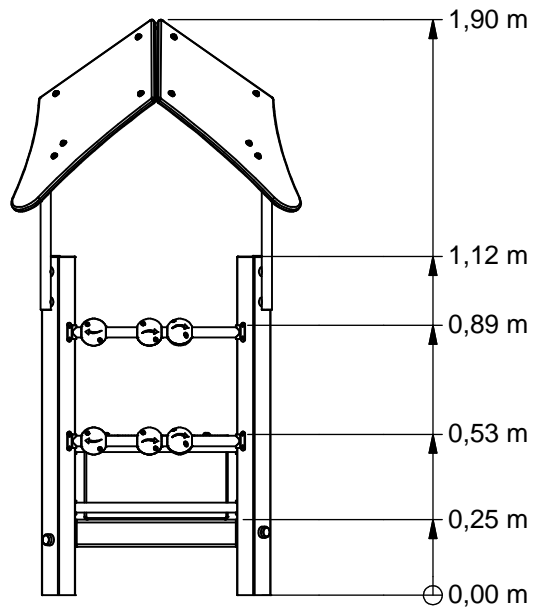
Opmerking  
Comment: RVS

Datum  
Date: 7-4-2014

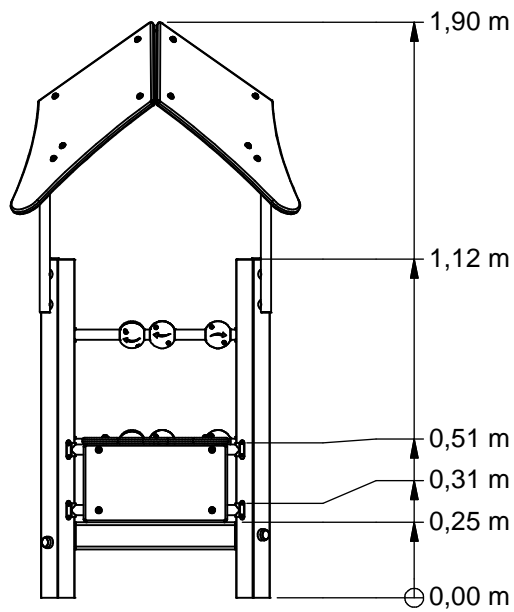
Tekening  
Drawing

TOE UKP 014 01R A

Modules Modules



Links  
(Left)



Rechts  
(Right)

# UKPE014.01R

Playhouse

## LOGBOOK

(Onderstaand logboek kan gebruikt worden om te voldoen aan de eisen, gesteld in artikel 14 van het Warenwetbesluit Attractie- en Speeltoestellen)

Type indication	Toddler Play
Product code	UKPE014.01R
Name of equipment	Ukkepuk Speelhuisje
Maximum height of fall	0,3 m
Year of construction	2017
Certificate	09200116218
inspection authority	Liftinstituut B.V. Buikslotermeerplein 381, A'dam - 1025 XE Amsterdam
Name manufacturer	BOERplay Hyacintstraat 2 - 4255 HX Nieuwendijk Phone: +31 (0)183 40 23 66 Fax: +31 (0)183 40 35 64
name installer	_____ _____
Description of equipment	Playhouse
Location of equipment	_____
Data about the owner of the play equipment	
Name:	_____
Address:	_____
Postcode and town:	_____
Contact person:	_____
Telephone number:	_____
Data about the administrator of the play equipment	
Name:	_____
Address:	_____
Postcode and town:	_____
Contact person:	_____
Telephone number:	_____

# LOGBOOK

## Inspection and maintenance intervals



Nr.	Inspection	Maintenance	months between inspections
1	Verify equipment's stability, junctions and missing parts. Inspect bolts, screws and nuts for absence, jams, corrosion and wear.	Add missing parts, secure joints, apply missing fixing agent and replace corroded parts.	1
2	Check suspension for wear.	Replace worn parts and/or remove non-functioning parts.	1
3	Inspect rotating parts such as hinges, rolling-element bearings, etc. for wear and acceptability.	Replace worn parts and/or remove non-functioning parts.	1
4	Check wood for splinters, unacceptable damage and signs of rot. Especially at ground level.	Repair damage. Replace affected wood. Smoothen splintered wood and sharp edges.	1
5	Inspect foundation for stability, tearing and coverage.	Restore foundation and covering material.	3
6	Examine rubber and synthetic parts for wear, damage and break.	Replace original parts.	3
7	Inspect metal for corrosion and damage in the coating.	Restore any damaged coating (after removing rust and applying primer).	6
8	Check ropes, cables, chains and nets for wear and damage. Steel cables and nets which are tensioned must be checked for tension.	Replace parts where necessary. Steel cables and nets must be tensioned.	3
9	Inspect equipment for unsafe changes and additions.	Remove unsafe additions and correct unsafe changes.	1
10	Inspect safety surfaces.	Restore and repair where necessary.	1

## Remarks

1. If used intensively, all points require extra attention.
2. Extreme weather conditions and locations may require a higher inspection frequency. Discuss this with the supplier.
3. Vandalism-sensitive locations require stricter inspections, possibly daily.
4. Check the terrain regularly for items that do not belong there, are unsafe or may be used wrongly. Examples are poisonous plants, glass shards, etc. Frequency depends on strain.
5. Remember that bad maintenance leads to unsafe conditions and notably faster impoverishment of the playground area.
6. Replacement parts can be ordered at the manufacturer with the part numbers on the module drawing. Drawings can be found in de user guide.
7. The impact area shall be provided with impact attenuating surface according to the specified falling height.
8. This list is conform the CEN-standard "playground equipment and surfacing NEN-EN 1176-7".



# TYPE-EXAMINATION CERTIFICATE

Acting under the " Warenwetbesluit Attractie- en Speeltoestellen" issued by Liftinstituut B.V.  
commissioned by departmental order, no. VGP/PSL 2857566 from 27 Juni 2008.

Certificate nr. : NL 09-2001-162-18 Revision nr.: 200116218

Description of the product : Playground equipment, Ukkepek

Trademark, type : Speelwijzer, UKP.....

Name and address of the manufacturer : Speelwijzer  
Nijverheidsstraat 8  
5317 NL Nederhemert Noord

Name and address of the certificate holder : Speelwijzer  
Nijverheidsstraat 8  
5317 NL Nederhemert Noord

Certificate issued on the basis of the following requirements : Warenwetbesluit Attractie- en Speeltoestellen

Test laboratory : None

Date and number of the laboratory report : None

Date of type-examination : 01-09-2001 t/m 03-09-2001, 21-02-2009

Annexes with this certificate : Report belonging to the type-examination certificate  
nr.: NL 09-2001-162-18

Additional remarks : This certificate supersedes type certificate dated April 27<sup>th</sup> 2005,  
with certificate number NL 09-2001-162-18

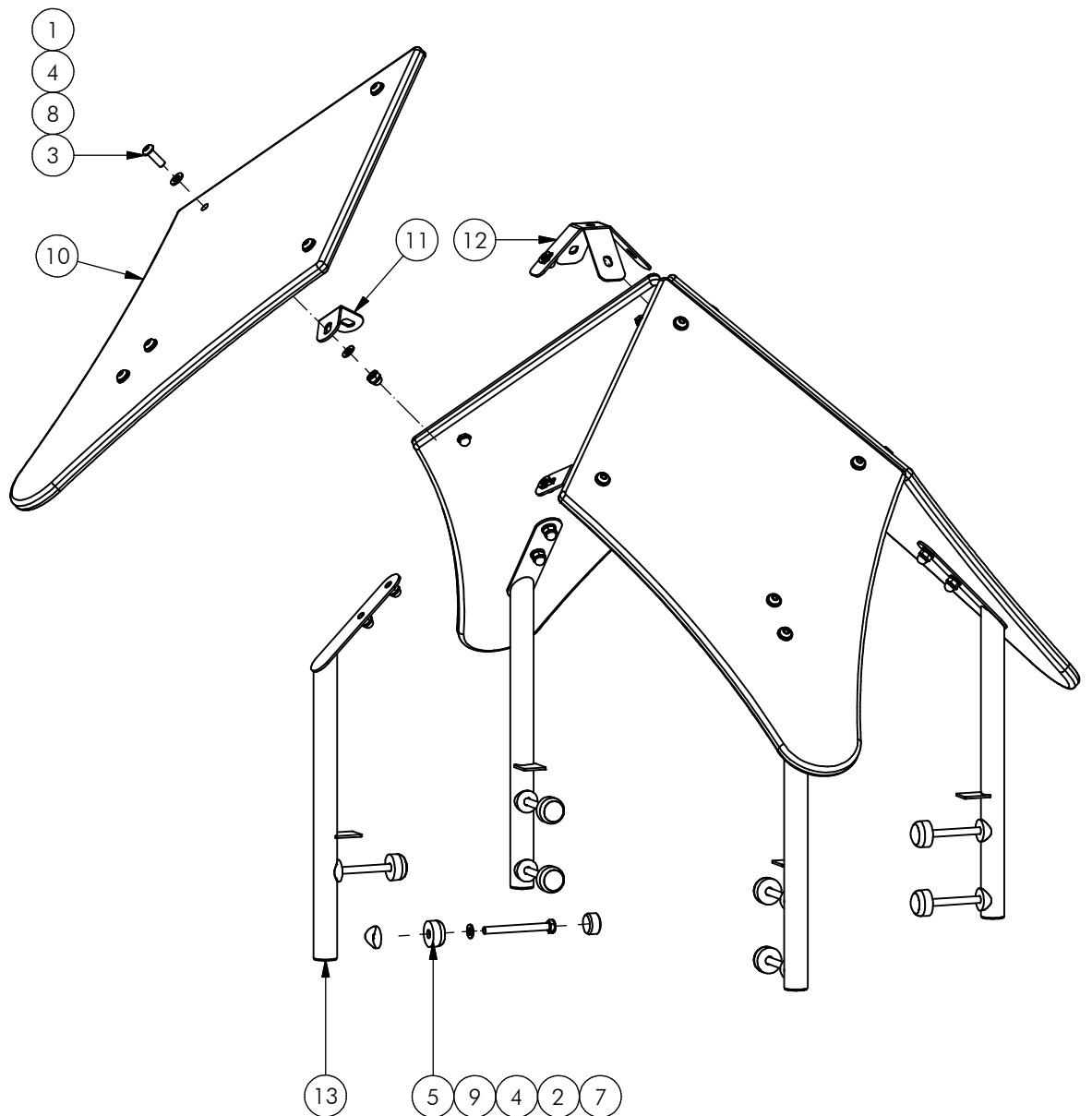
Conclusion : The playground equipment meets the requirements of the above  
specified European standard(s) and "Warenwetbesluit Attractie-  
en Speeltoestellen" taking into account any additional remarks  
mentioned above.

Issued in Amsterdam

Date of issue : April 7<sup>th</sup>, 2009



Ir. V.M.A. Barendregt  
Senior Officer Certification &  
Technology  
Liftinstituut B.V.



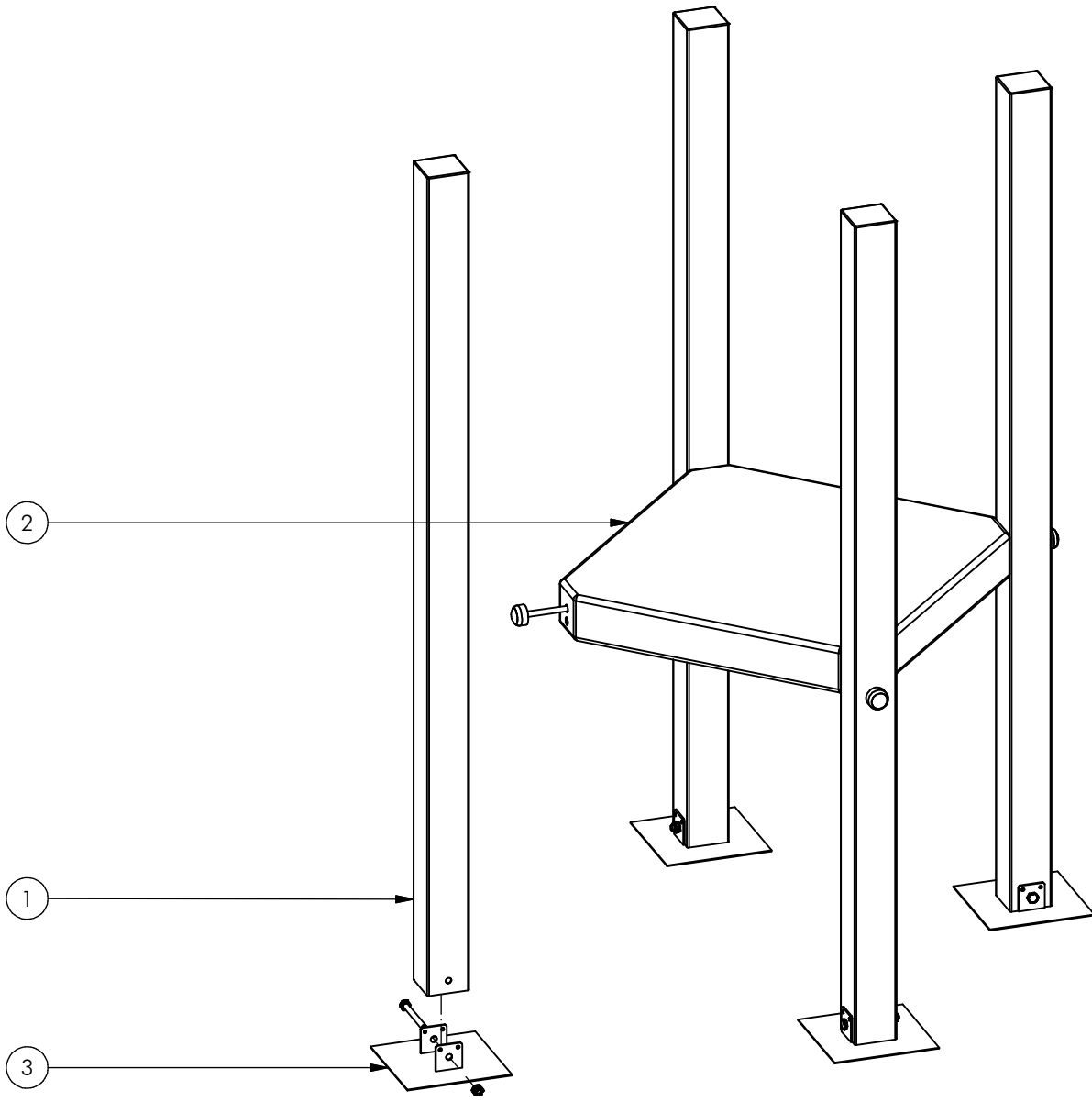
13	4	SME	UKP	546	320		Daksteun	Ukkepuk
12	1	OME	DRM	096	304		NOKBEUGEL	90 GRADEN
11	4	OME	DRM	054	304	A	Plaatbeugel	120 Graden
10	4	OPE	UKP	001	060	B	Dakplaat	Ukkepuk
9	8	KST	T33	010	000		ZADELRING	BUIS 33.7
8	20	KST	ROR	010	000		RING NYLON	M10 x 2.5 MM
7	8	KST	DOP	010	030		Bescherm dop M10-M12	Dop rood
6	20	KST	DOP	006	030		OPVULDOPJE	6 MM ROOD
5	8	KST	DON	010	030		Bescherm dop M10-M12	Donut Rood
4	28	BSR	030	010	002		SLUITRING	M10
3	20	BSR	023	010	030		Bolkopbout ISO 7380	M10 x 30 - RVS A2-70
2	8	BSR	021	010	100		Zeskantbout	M10 x 100 - RVS A2-70
1	20	BSR	011	010	020		DOPMOER	BORG RVS M10
POS	N	TYPE	PROJ.	NR.	BEH.	R	BENAMING	OPMERKING



Benaming Title DAK  
 Opmerking Comment UKKEPUK  
 Datum Date 14-3-2014

Tekening Drawing

**MOD UKP RVS 103 A**  
 Samenstelling module Assembly module



3	4	SMD	UKP	RVS	103	ANKER PLAAT	UKKEPUK
2	1	SMD	UKP	RVS	100	VLOER VIERKANT	UKKEPUK
1	4	SME	080	010	320	Staander RVS	80x80, lengte=1820
POS	N	TYPE	PROJ.	NR.	BEH.	R	BENAMING
							OPMERKING



Benaming  
Title | TOREN SPEELHUIS

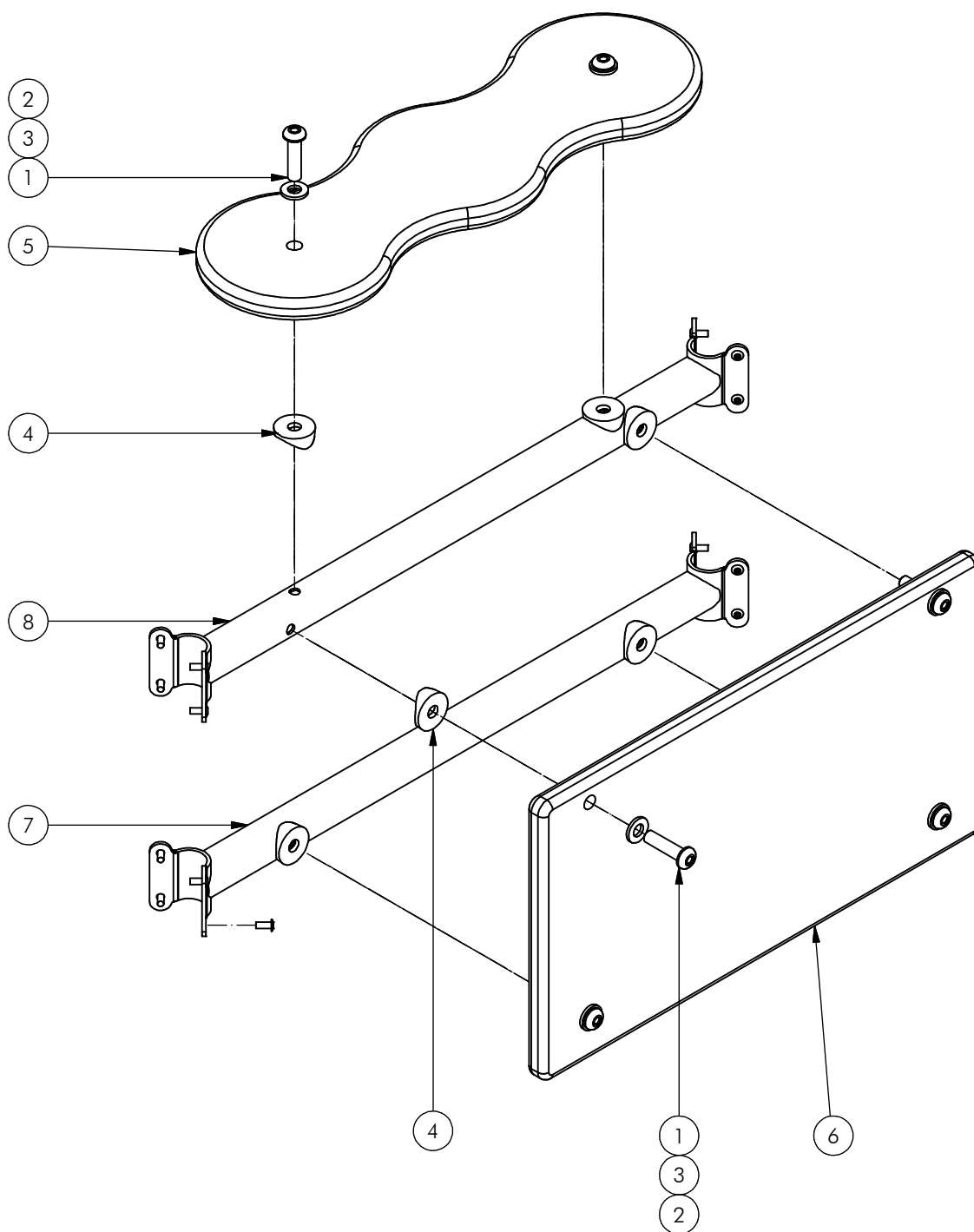
Opmerking  
Comment | UKKEPUK

Datum  
Date | 5-7-2007

Tekening  
Drawing

# MOD UKP RVS 109

Samenstelling module *Assembly module*



9	4	SMD	UKP	RVS	105		BEVESTIGING VLINDER	UKKEPUK RVS
8	1	SME	UKP	503	320	A	SYSTEEMBUIS	UKKEPUK
7	1	SME	UKP	501	320	A	SYSTEEMBUIS	UKKEPUK
6	1	OPE	UKP	011	030	B	Schot toonbank	Ukkepuk
5	1	OPE	UKP	010	050	B	Toonbank loket	Ukkepuk
4	6	KST	T33	010	000		ZADELRING	BUIS 33.7
3	6	KST	ROR	010	000		RING NYLON	M10 x 2.5 MM
2	6	KST	DOP	006	030		OPVULDOPJE	6 MM ROOD
1	6	BSR	023	010	040		Bolkopbout ISO 7380	M10 x 40 - RVS A2-70
POS	N	TYPE	PROJ.	NR.	BEH.	R	BENAMING	OPMERKING



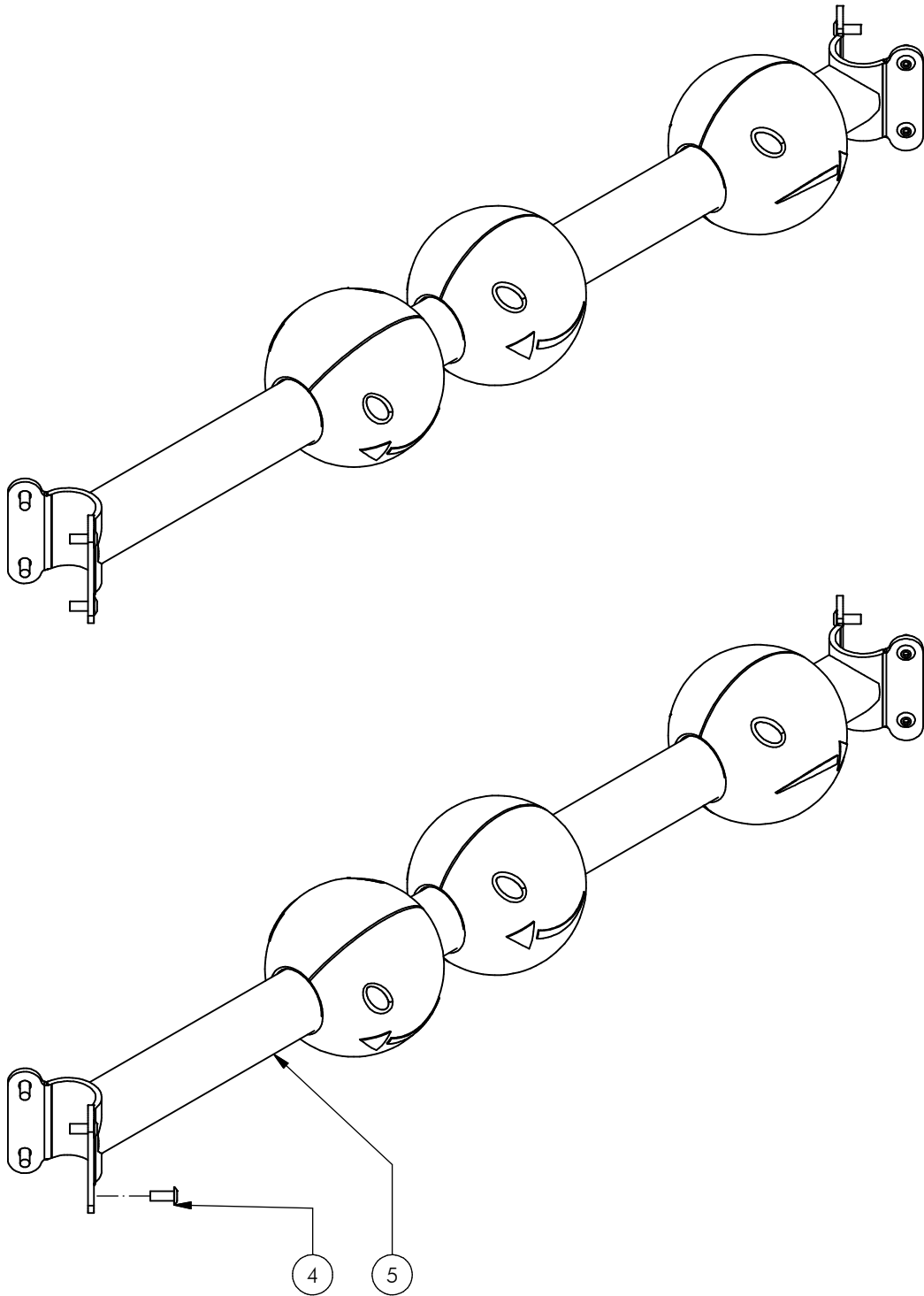
Benaming  
Title Toonbank

Opmerking  
Comment Ukkepuk

Datum  
Date 6-12-2013

Tekening  
Drawing

**MOD UKP RVS 121 A**  
 Samenstelling module Assembly module



9	4	KST	BOL	036	030	Telbol helft	Rood	
8	4	KST	BOL	036	050	Telbol helft	Blauw	
7	4	KST	BOL	036	010	Telbol helft	Geel	
6	24	BSR	005	004	019	Zelfborende PIAS schoef	3,5 x 19	
5	2	SME	UKP	500	320	A	SYSTEEMBUIS	UKKEPUK
4	4	SMD	UKP	RVS	105		BEVESTIGING VLINDER	UKKEPUK RVS
POS	N	TYPE	PROJ.	NR.	BEH.	R	BENAMING	OPMERKING



Benaming  
Title TELBOL DUBBEL

Opmerking  
Comment UKKEPUK

Datum  
Date 30-1-2007

Tekening  
Drawing

# MOD UKP RVS 135

Samenstelling module *Assembly module*