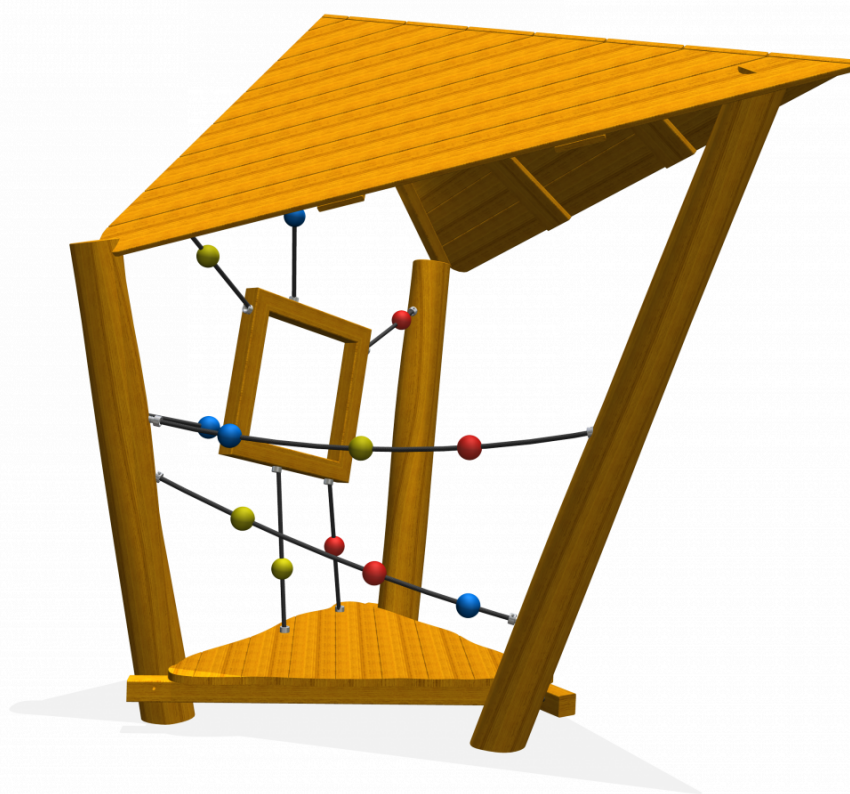
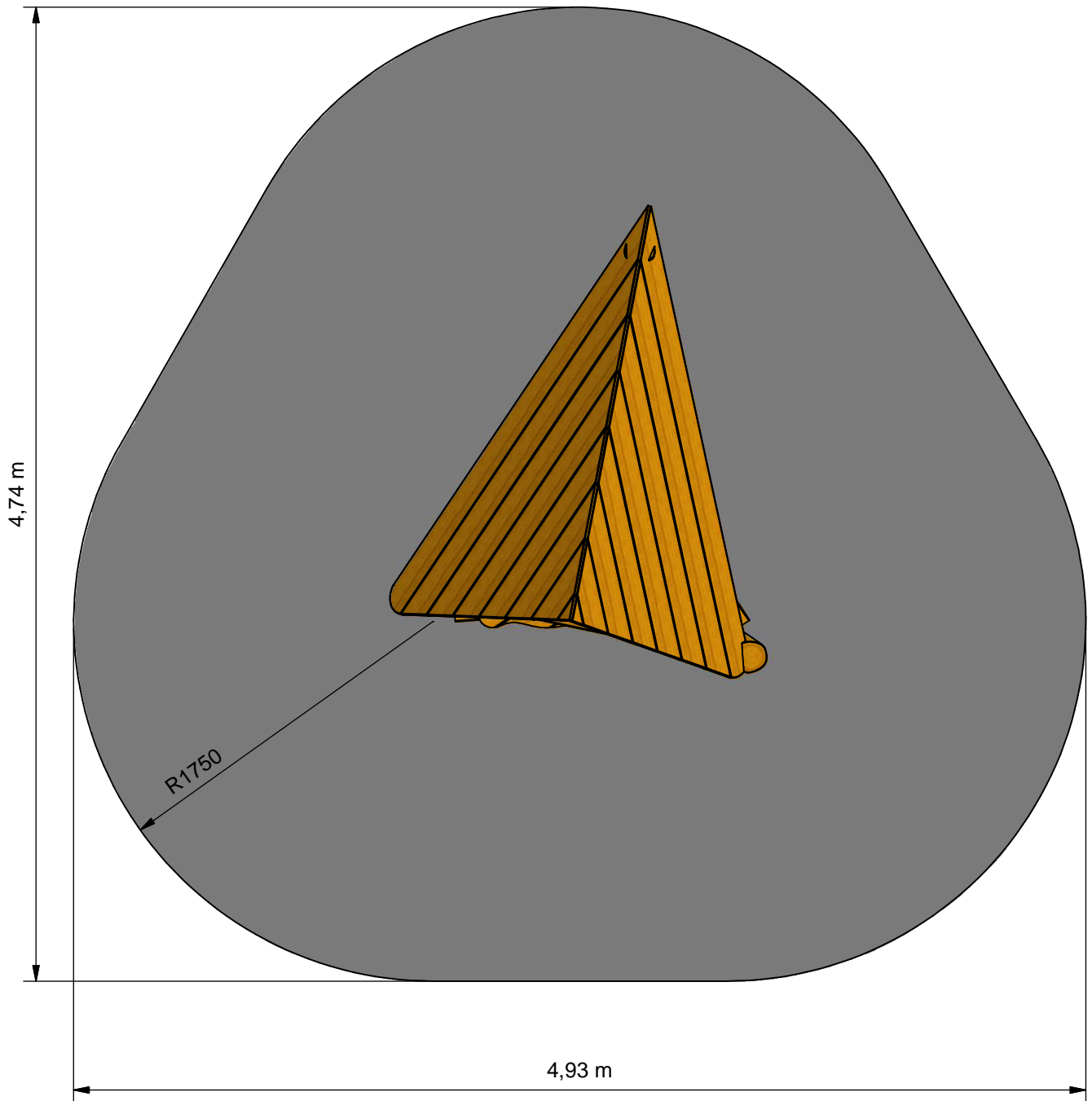




Playhouse



PSTE110.006



- Opvangzone
Impact area
- Obstakelvrije zone
Obstacle free zone



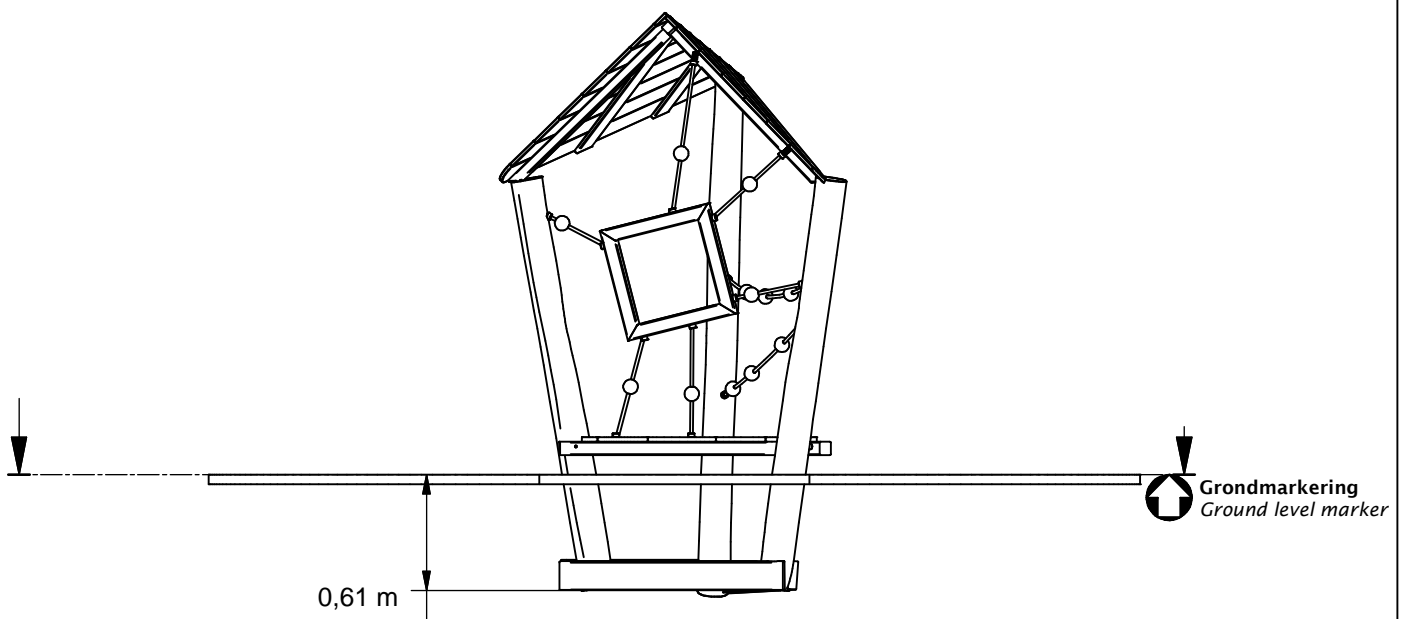
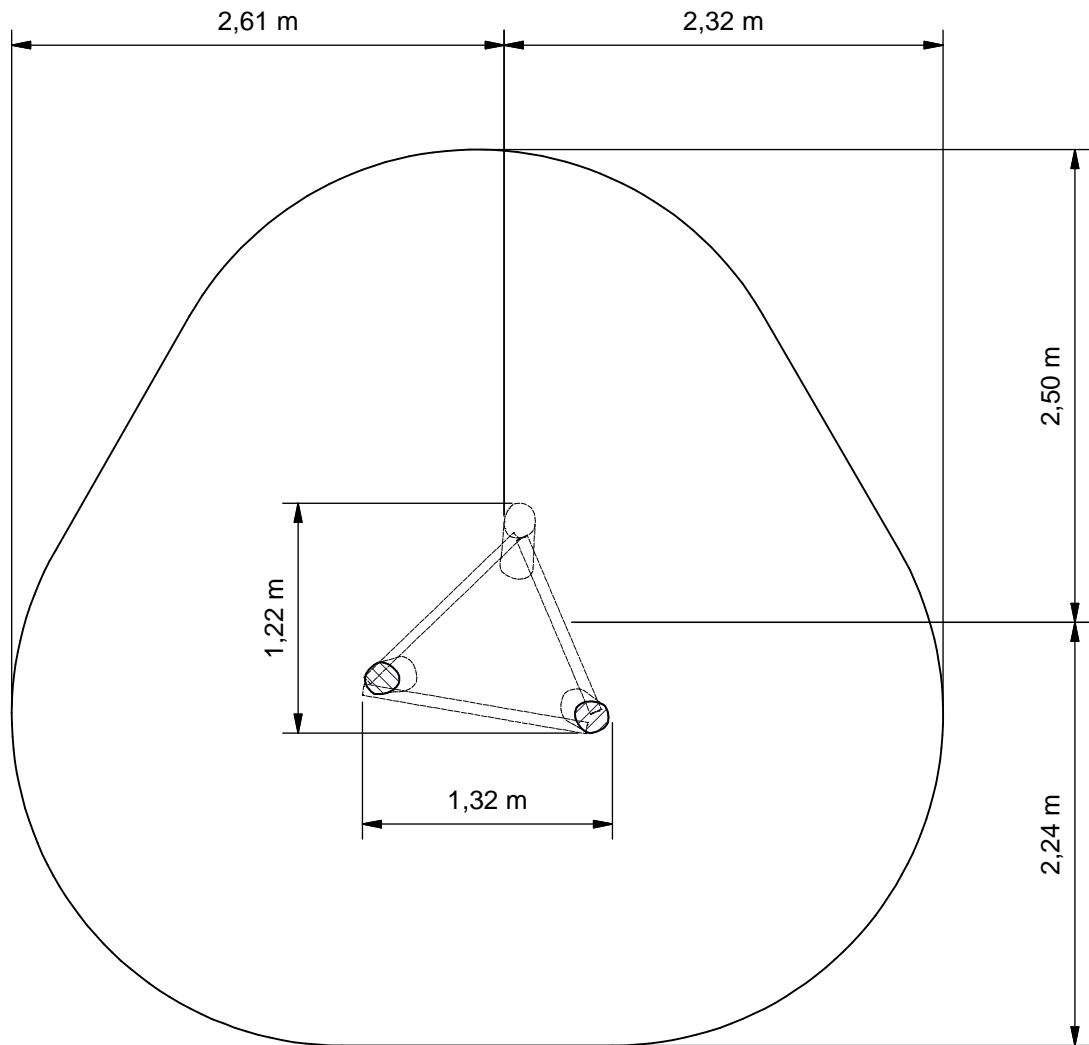
Benaming
Title | Speelhuisje

Opmerking
Comment | Adventure Play

Datum
Date | 23-8-2013

Tekening
Drawing

TOE PST 110 006 A
Obstakelvrije zone *Obstacle free zone*



Benaming
Title: Speelhuisje

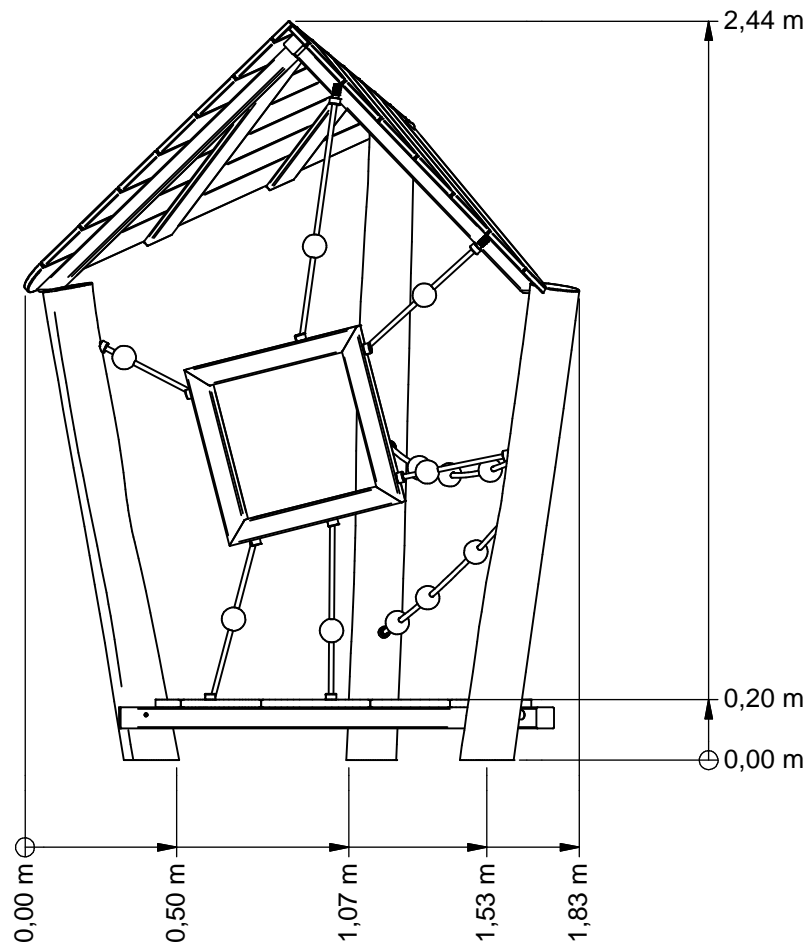
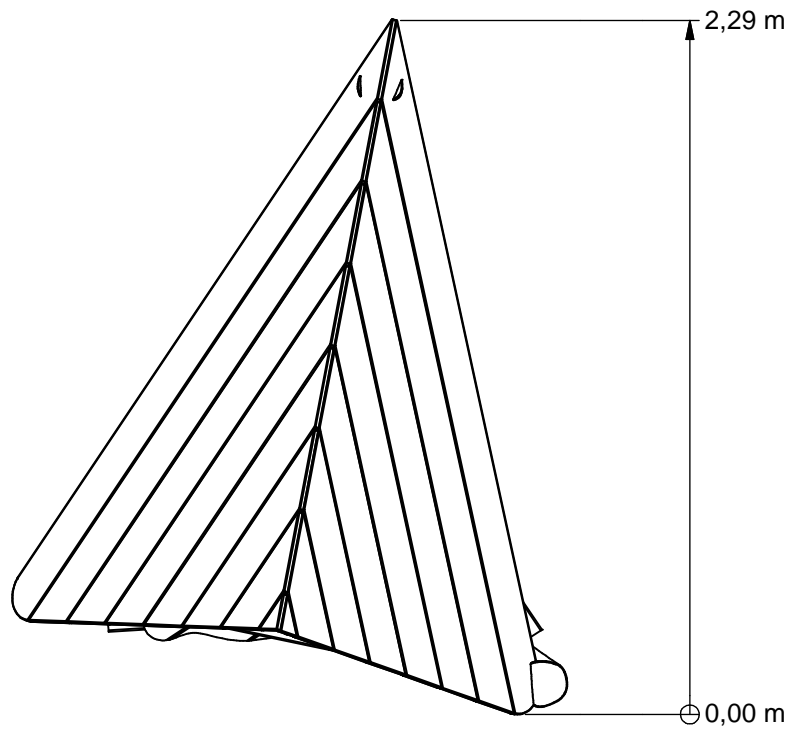
Opmerking
Comment: Adventure Play

Datum
Date: 23-8-2013

Tekening
Drawing

TOE PST 110 006 A

Bodemplan *Groundplan*

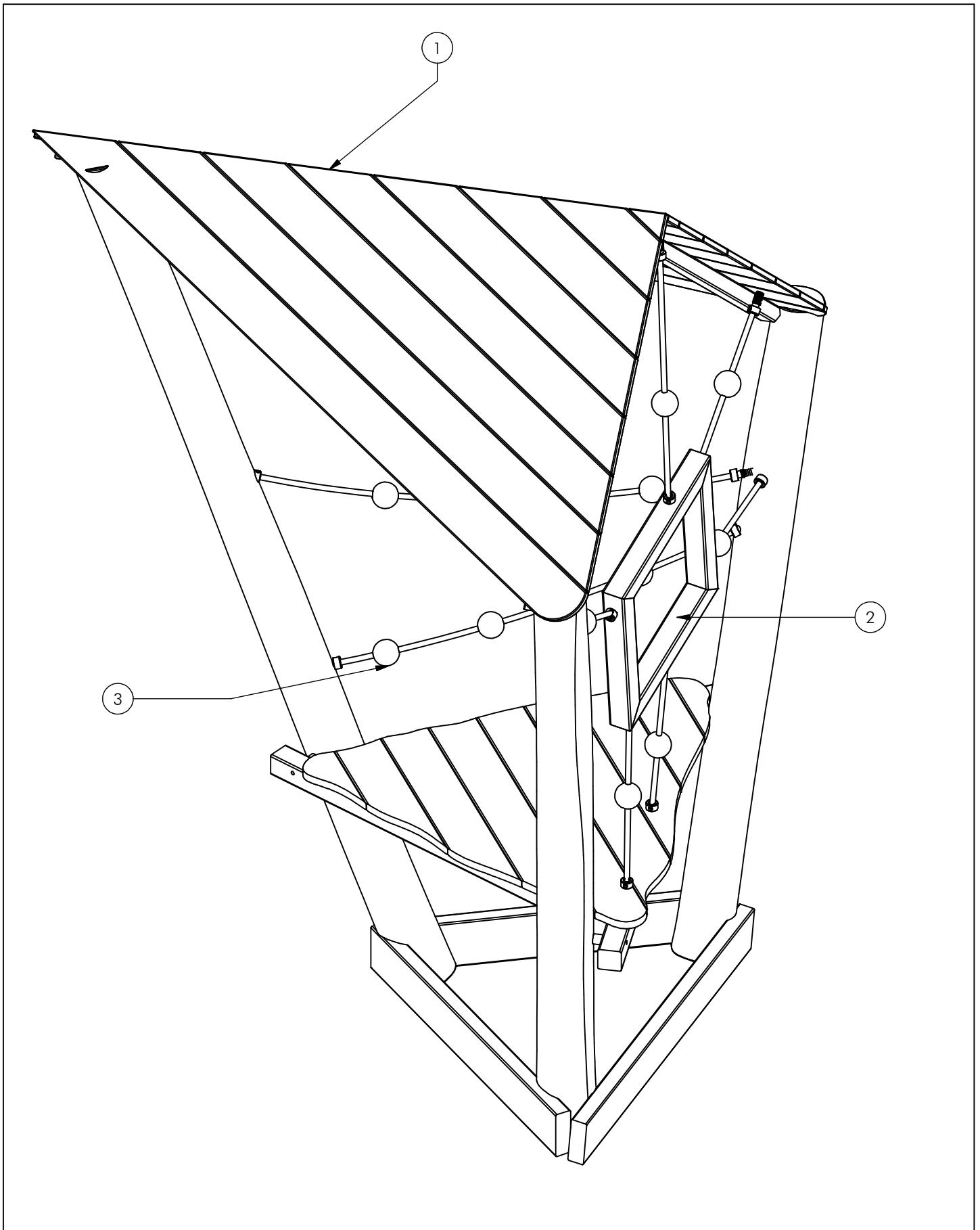


Benaming Title	Speelhuisje
Opmerking Comment	Adventure Play
Datum Date	23-8-2013

Tekening
Drawing

TOE PST 110 006 A

Afmetingen Dimensions



Nr	#	Type	Progr.	Volgnr	Bew.	Rev.	Benaming	Opmerking
1	1	MOD	PST	036	001		Huisje 200mm	Adventure Play
2	1	MOD	PST	038	001	A	Speelraam	Adventure Play
3	1	MOD	PST	038	004	A	Speelballen	Adventure Play



Benaming
Title | Spielhuisje

Opmerking
Comment | Adventure Play

Datum
Date | 23-8-2013

Tekening
Drawing

TOE PST 110 006 A

Modules Modules

Geleverde delen:

A - Toren met dak

Bevestiging sets:

n.v.t.

Montagevolgorde:

- 1 - Graaf de gaten volgens het bodemplan en plaats hierin A
- 2 - Controleer of het toestel voldoet aan de afmetingen zoals op blad 'afmetingen'
- 3 - Dicht de gaten en verdicht het zand

Controles:

- 1 - Correcte opbouw en alle bevestigingsmiddelen
- 2 - De uiterste hoogte van het platform (0,2m)
- 3 - Controleer de afmetingen van de valbodem t.o.v. het toestel

Supplied parts:

A - Tower with roof

Mounting kits:

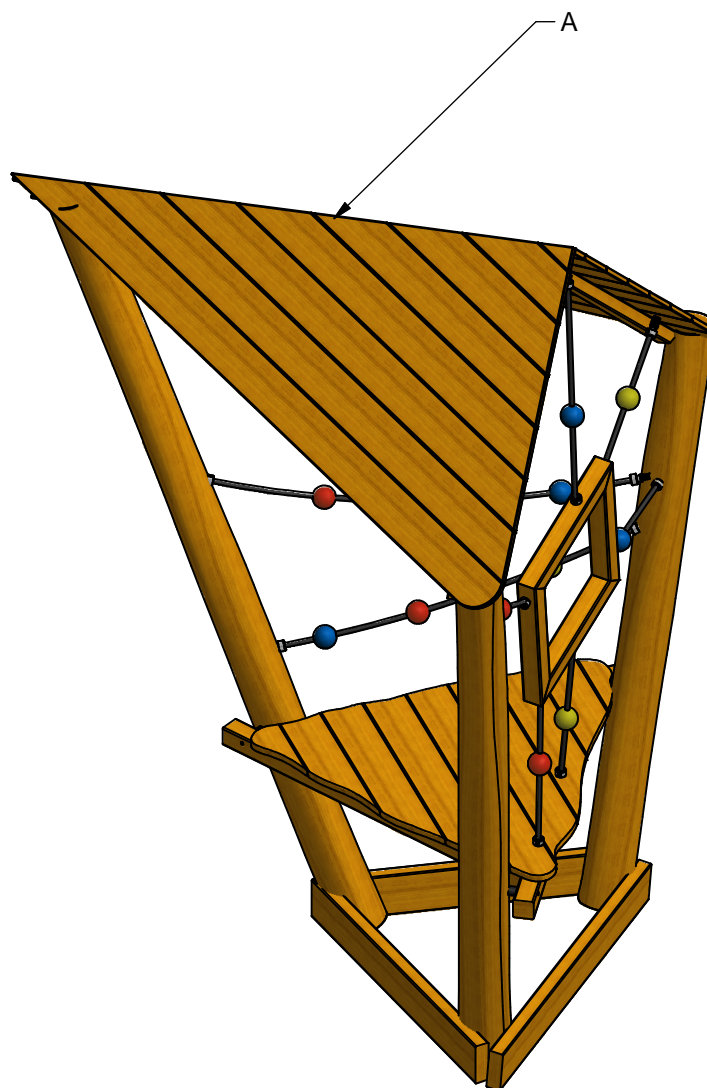
N/A

Assembly sequence:

- 1 - Dig the holes according to the ground plan and place A
- 2 - Check that the equipment conforms to the dimensions shown on sheet 'dimensions'
- 3 - Close the holes and compact the sand

Checks:

- 1 - Correct assembly and all the fasteners
- 2 - The maximum height of the platform (0,2 m)
- 3 - Check the dimensions of the safety area with regard to the play equipment



PSTE110.006

Playhouse

LOGBOOK

(Onderstaand logboek kan gebruikt worden om te voldoen aan de eisen, gesteld in artikel 14 van het Warenwetbesluit Attractie- en Speeltoestellen)

Type indication	Adventure Play
Product code	PSTE110.006
Name of equipment	Playhouse
Maximum height of fall	0,2 m
Year of construction	2017
Certificate	032703
inspection authority	TUV Nederland QA BV De Waal 21c, Best - 5684 PH Best
Name manufacturer	BOERplay Hyacintstraat 2 - 4255 HX Nieuwendijk Phone: +31 (0)183 40 23 66 Fax: +31 (0)183 40 35 64
name installer	_____ _____
Description of equipment	Playhouse
Location of equipment	_____
Data about the owner of the play equipment	
Name:	_____
Address:	_____
Postcode and town:	_____
Contact person:	_____
Telephone number:	_____
Data about the administrator of the play equipment	
Name:	_____
Address:	_____
Postcode and town:	_____
Contact person:	_____
Telephone number:	_____

LOGBOOK

Inspection and maintenance intervals



Nr.	Inspection	Maintenance	months between inspections
1	Verify equipment's stability, junctions and missing parts. Inspect bolts, screws and nuts for absence, jams, corrosion and wear.	Add missing parts, secure joints, apply missing fixing agent and replace corroded parts.	1
2	Check suspension for wear.	Replace worn parts and/or remove non-functioning parts.	1
3	Inspect rotating parts such as hinges, rolling-element bearings, etc. for wear and acceptability.	Replace worn parts and/or remove non-functioning parts.	1
4	Check wood for splinters, unacceptable damage and signs of rot. Especially at ground level.	Repair damage. Replace affected wood. Smoothen splintered wood and sharp edges.	1
5	Inspect foundation for stability, tearing and coverage.	Restore foundation and covering material.	3
6	Examine rubber and synthetic parts for wear, damage and break.	Replace original parts.	3
7	Inspect metal for corrosion and damage in the coating.	Restore any damaged coating (after removing rust and applying primer).	6
8	Check ropes, cables, chains and nets for wear and damage. Steel cables and nets which are tensioned must be checked for tension.	Replace parts where necessary. Steel cables and nets must be tensioned.	3
9	Inspect equipment for unsafe changes and additions.	Remove unsafe additions and correct unsafe changes.	1
10	Inspect safety surfaces.	Restore and repair where necessary.	1

Remarks

1. If used intensively, all points require extra attention.
2. Extreme weather conditions and locations may require a higher inspection frequency. Discuss this with the supplier.
3. Vandalism-sensitive locations require stricter inspections, possibly daily.
4. Check the terrain regularly for items that do not belong there, are unsafe or may be used wrongly. Examples are poisonous plants, glass shards, etc. Frequency depends on strain.
5. Remember that bad maintenance leads to unsafe conditions and notably faster impoverishment of the playground area.
6. Replacement parts can be ordered at the manufacturer with the part numbers on the module drawing. Drawings can be found in de user guide.
7. The impact area shall be provided with impact attenuating surface according to the specified falling height.
8. This list is conform the CEN-standard "playground equipment and surfacing NEN-EN 1176-7".

Warenwet

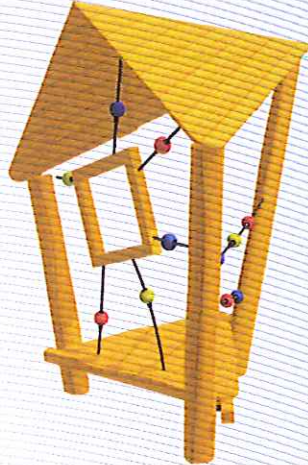
Certificaat van Typeonderzoek Type Examination Certificate

afgegeven door issued by

TÜV Nederland QA BV




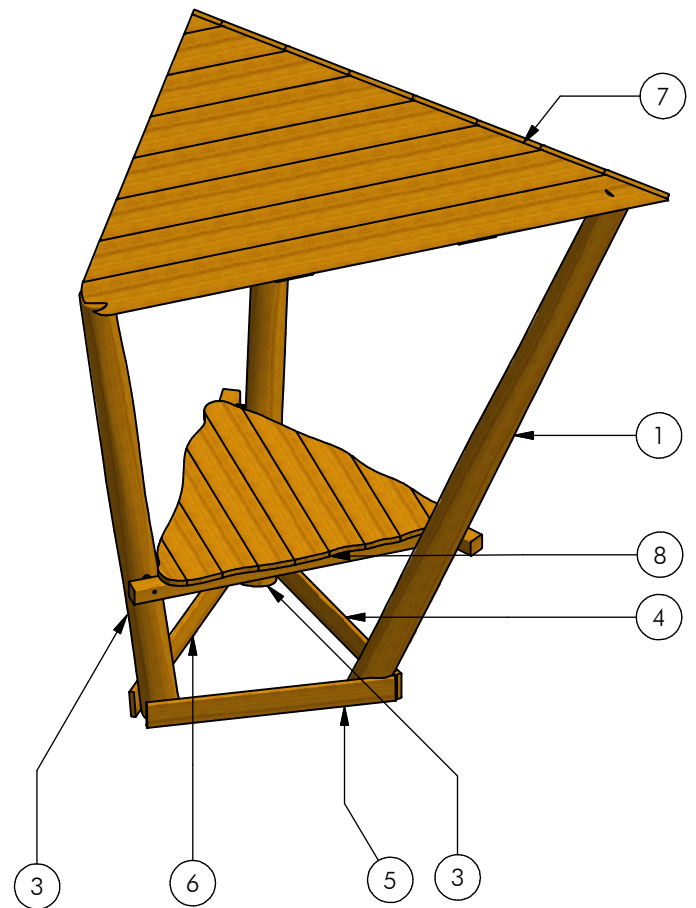
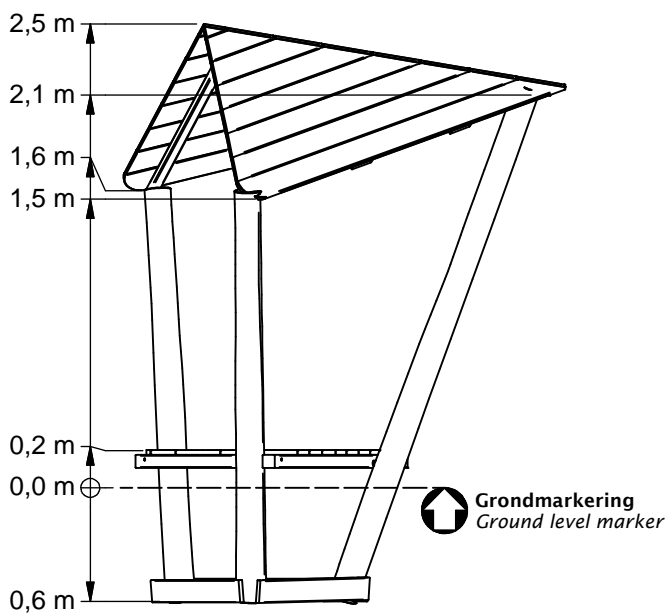
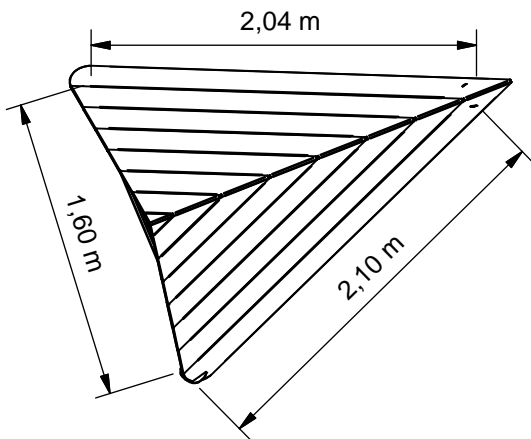
aangewezen bij ministeriële beschikking van 4 mei 2012, nr. VGP 3113590
commissioned by departmental order of 4 May 2012, no. VGP 3113590

Certificaat nr. Certificate nr.	032703TA_20130829	Dossiernr. File nr.	032703TA
Productomschrijving Product description	Speelhuisje		
Evt. nadere aanduidingen Further indications	Adventure Play		
voor nadere informatie zie bijbehorend rapport met gelijkloidend dossiernr. for further information see associated report with identical file nr.			
Eigenaar / certificaathouder en adres Owner/certificate holder and address	Boer Speeltoestellen B.V. Hyacintstraat 2 4255 HX Nieuwendijk		
Soort toestel Category of equipment	Speeltoestel / Playground equipment		
Fabrikant Manufacturer	Boer Speeltoestellen B.V. Hyacintstraat 2 4255 HX Nieuwendijk		
Type/Serienummer Type/Serial number	PST.110.006 /	in te vullen door de fabrikant to be filled out by the manufacturer	
Jaar van fabricage Year of construction	vanaf since 2013		
Leverancier Supplier	Boer Speeltoestellen B.V. Hyacintstraat 2 4255 HX Nieuwendijk		
Jaar van levering Year of supply	in te vullen door de leverancier to be filled out by the supplier		
Datum keuring Date of examination	13-05-2013 – 29-08-2013		

TÜV Nederland QA BV, de Waal 21C, NL-5684 PH Best verklaart, dat het bovenaangehaalde toestel voldoet aan de vervaardigingvoorschriften genoemd in het Warenwetbesluit attractie- en speeltoestellen (met als leidraad de normatieve documenten NEN-EN 1176:2008).

TÜV Nederland QA BV declares that the here above mentioned equipment meets the safety and health requirements mentioned in the Dutch law "Warenwetbesluit attractie- en speeltoestellen" (guided by normative documents EN 1176:2008).

Namens het bestuur, For the board, A.C. Boon Directeur	
---	--



Nr	#	Type	Progr.	Volgnr	Bew.	Rev.	Benaming	Opmerking
1	1	OHO	PST	160	029		Paal 14-16	Lengte =2900
3	2	OHO	PST	160	022		Paal 14-16	Lengte =2200
4	1	OHO	PST	211	110		Plank 120x20	Lengte = 1100
5	1	OHO	PST	211	100		Plank 120x20	Lengte = 1000
6	1	OHO	PST	211	120		Plank 120x20	Lengte = 1200
7	1	SHO	PST	064	001	A	Dakje toren	Adventure Play
8	1	SMD	PST	003	002		Vloertje 1m	Adventure Play

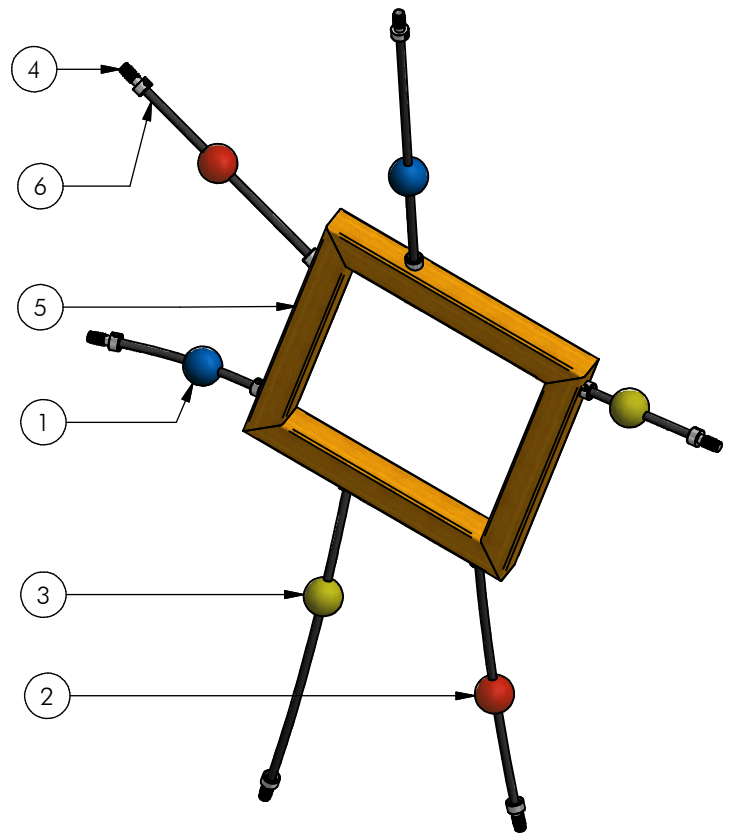
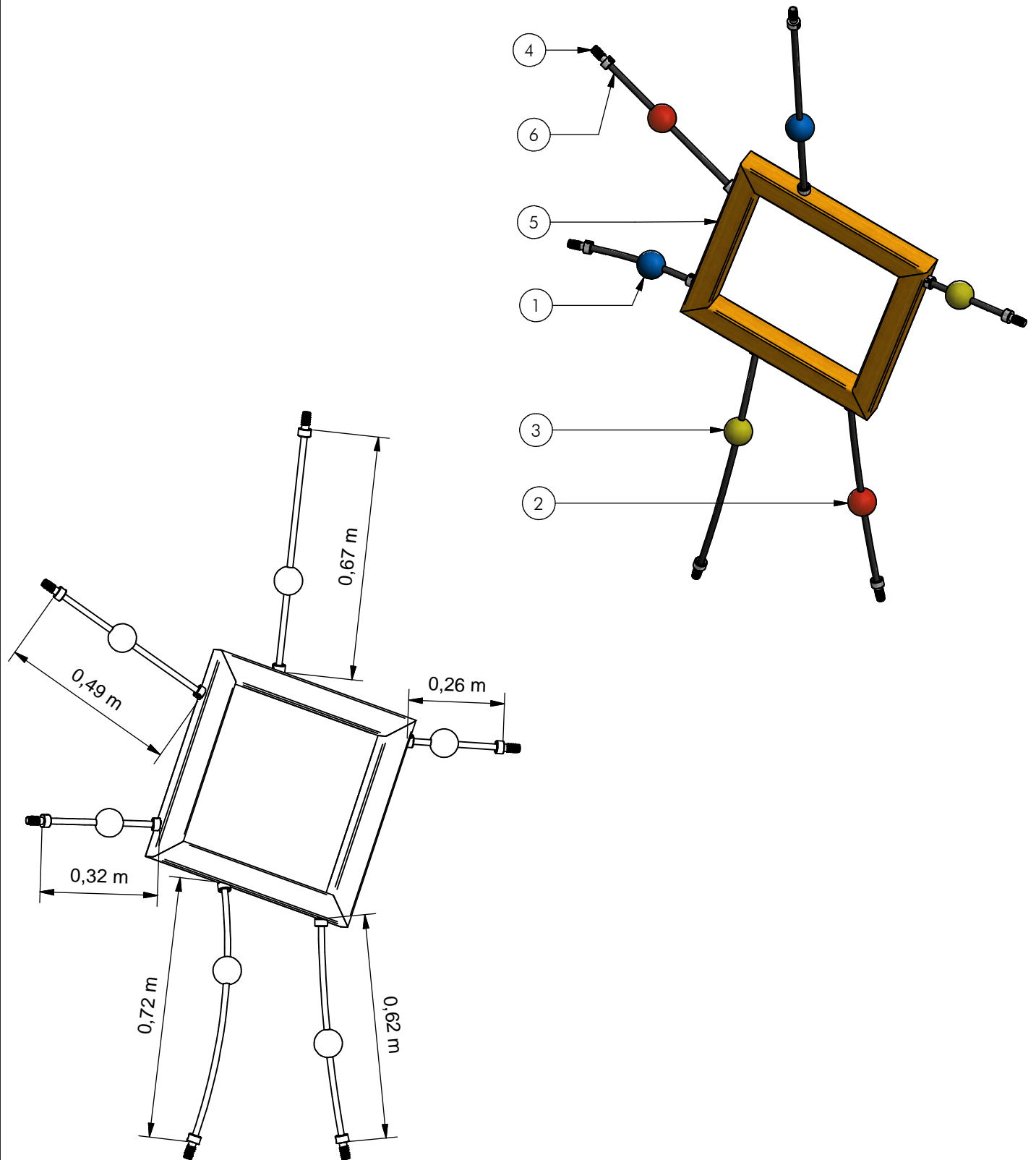


Benaming Title Huisje 200mm
 Opmerking Comment Adventure Play
 Datum Date 31-10-2011

Tekening Drawing

MOD PST 036 001

Samenstelling module Assembly module



Nr	#	Type	Progr.	Volgnr	Bew.	Rev.	Benaming	Opmerking
1	2	KST	BOL	016	050		Telbol	Blauw
2	2	KST	BOL	016	030		Telbol	Rood
3	2	KST	BOL	016	010		Telbol	Geel
4	12	OME	BUS	002	RVS		Bus RVS schroef	touw d16
5	1	SHO	PST	071	001		Winkelraam	SHO Venster
6	1	SNT	PST	016	006		Losse Touwen	Speelraam



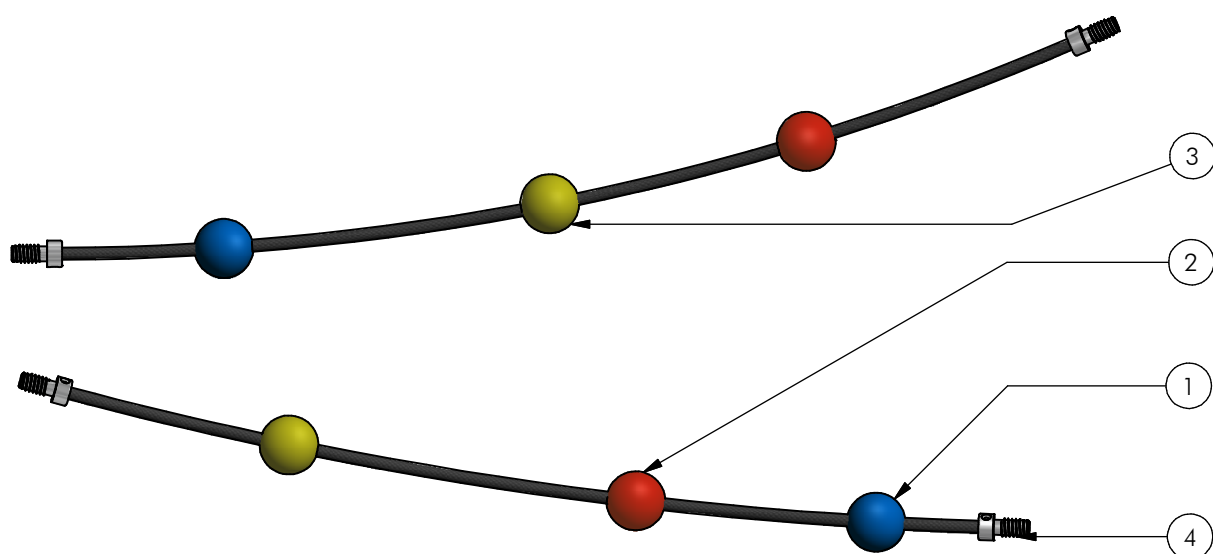
Benaming
Title | Speelraam

Opmerking
Comment | Adventure Play

Datum
Date | 23-8-2013

Tekening
Drawing

MOD PST 038 001 A
Samenstelling module *Assembly module*



Nr	#	Type	Progr.	Volgnr	Bew.	Rev.	Benaming	Opmerking
1	2	KST	BOL	016	050		Telbol	Blauw
2	2	KST	BOL	016	030		Telbol	Rood
3	2	KST	BOL	016	010		Telbol	Geel
4	4	OME	BUS	002	RVS		Bus RVS schroef	touw d16
5	1	SNT	PST	016	007		2x Touw Ø16 Zwart,	L 1400mm



Benaming
Title | Speelballen

Opmerking
Comment | Adventure Play

Datum
Date | 23-8-2013

Tekening
Drawing

MOD PST 038 004 A
 Samenstelling module *Assembly module*