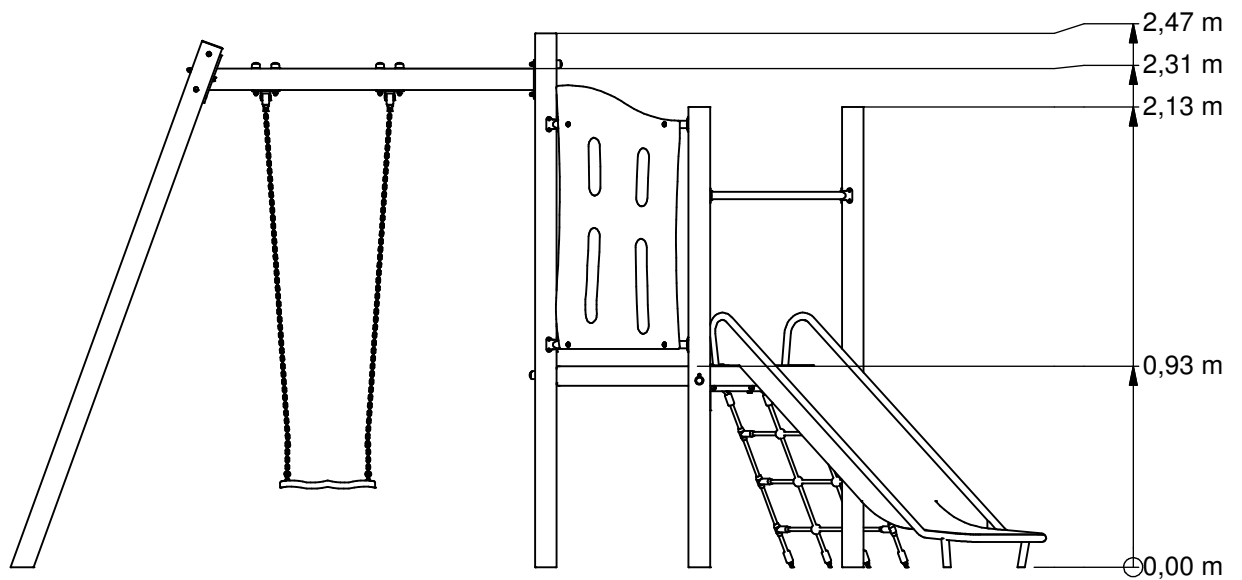
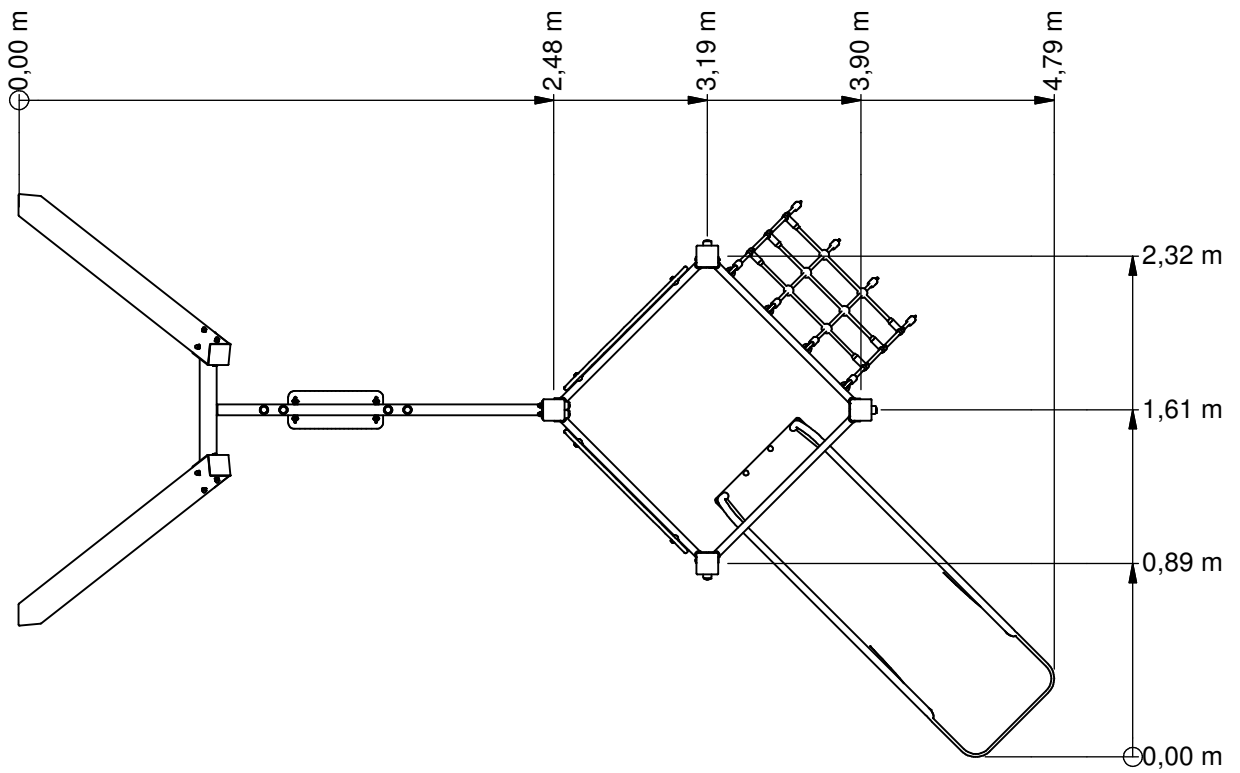




Combination equipment



VRBE060.663



Benaming
Title Vrijbuiters

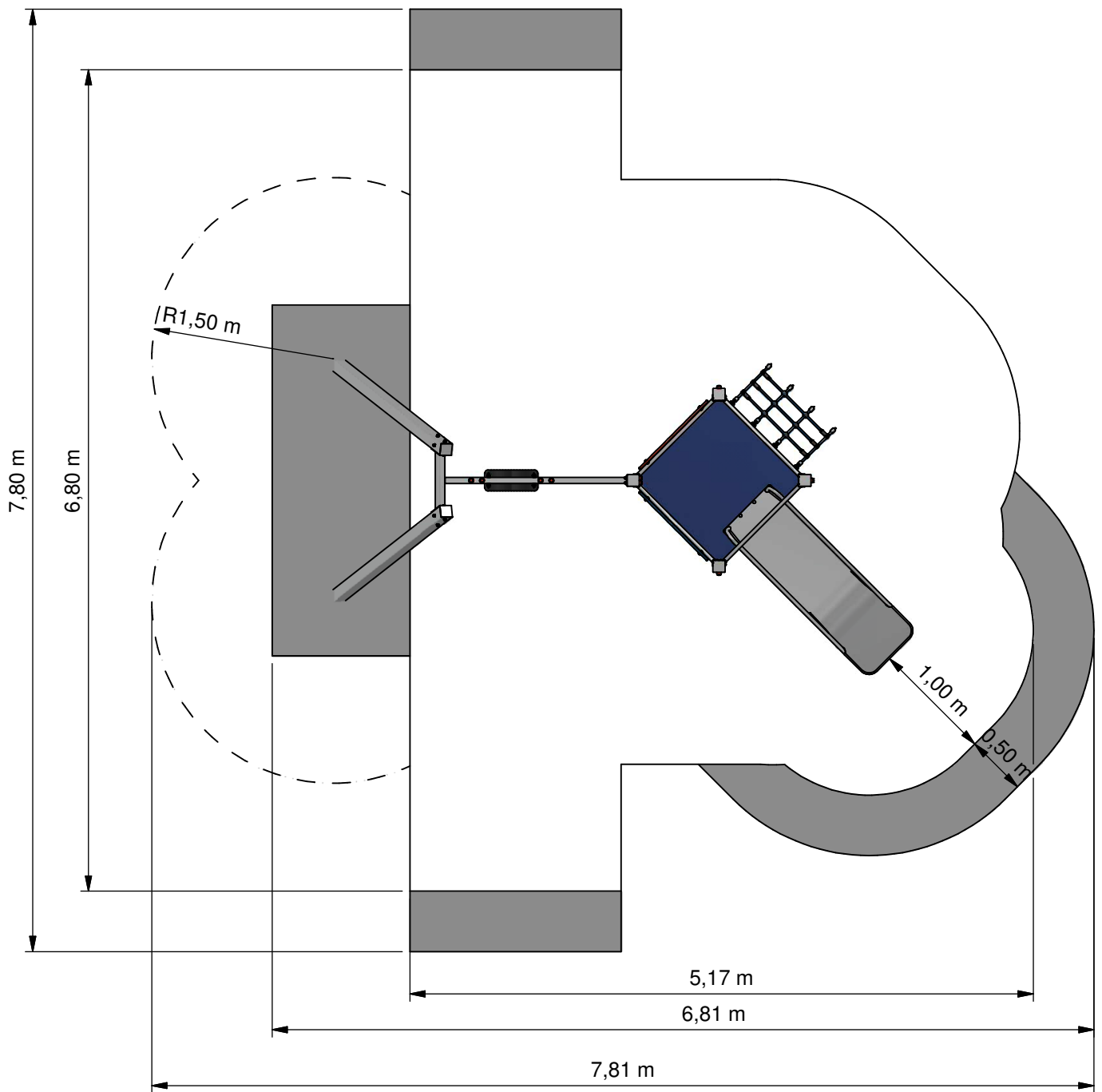
Opmerking
Comment RVS

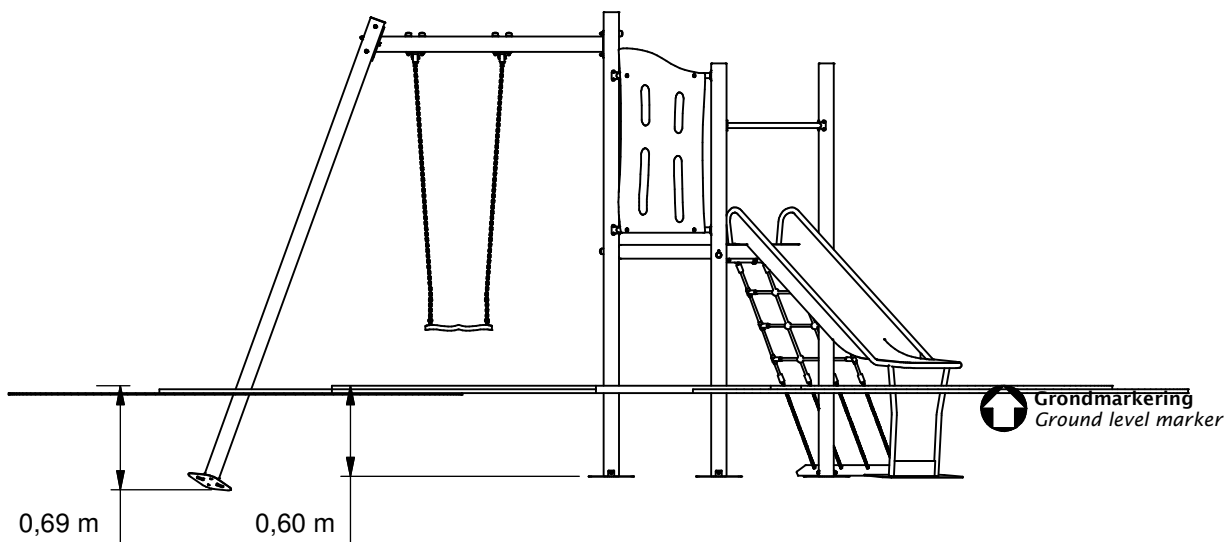
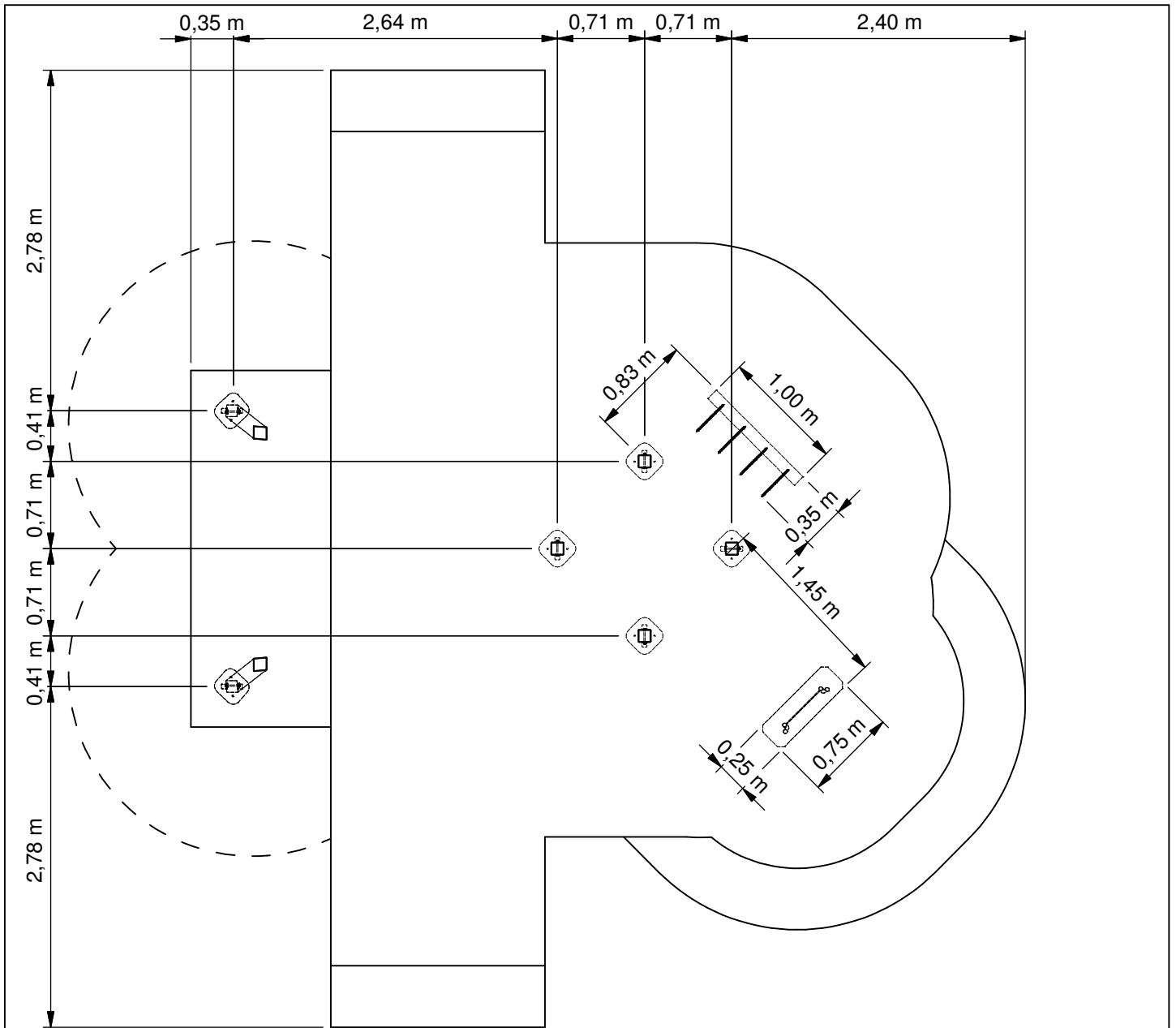
Datum
Date 28-11-2013

Tekening
Drawing

TOE VRB 060 663 A

Afmetingen Dimensions





Benaming
Title Vrijbuiters

Opmerking
Comment RVS

Datum
Date 28-11-2013

Tekening
Drawing

TOE VRB 060 663 A

Bodemplan Groundplan

Geleverde modules:

Zie tabel

Supplied modules:

See table

Montageinstructie:

- De hoofdmaten geven de maten van de staanders en vloeren aan
- De detailtekeningen geven specifiek de maten van de verbindingen aan
- De modules met buizen zijn op de tekeningen bemaat op bovenkant kopplaat
- Overige modules zijn bemaat op de bovenkant (klimwanden, paalkoppen, etc.)

Assembly instruction:

- The main dimensions indicate the dimensions of the posts and floors
- The detailed dimensions show the specific dimensions of the connections
- The modules which contain tubes are dimensioned at the top of the flanges
- Other modules are dimensioned at the top (climbing walls, caps for the posts, etc.)

Montagevolgorde:

- 1 - Graaf de gaten volgens het bodemplan
- 2 - Assembleer toren met 1,3(3x),4,6,8,9
- 3 - Plaats toren
- 4 - Plaats 2,5,7 en verbind deze aan toren
- 5 - Controleer of het toestel voldoet aan de afmetingen zoals op blad 'afmetingen'
- 6 - Dicht de gaten en verdicht het zand

Installation sequence:

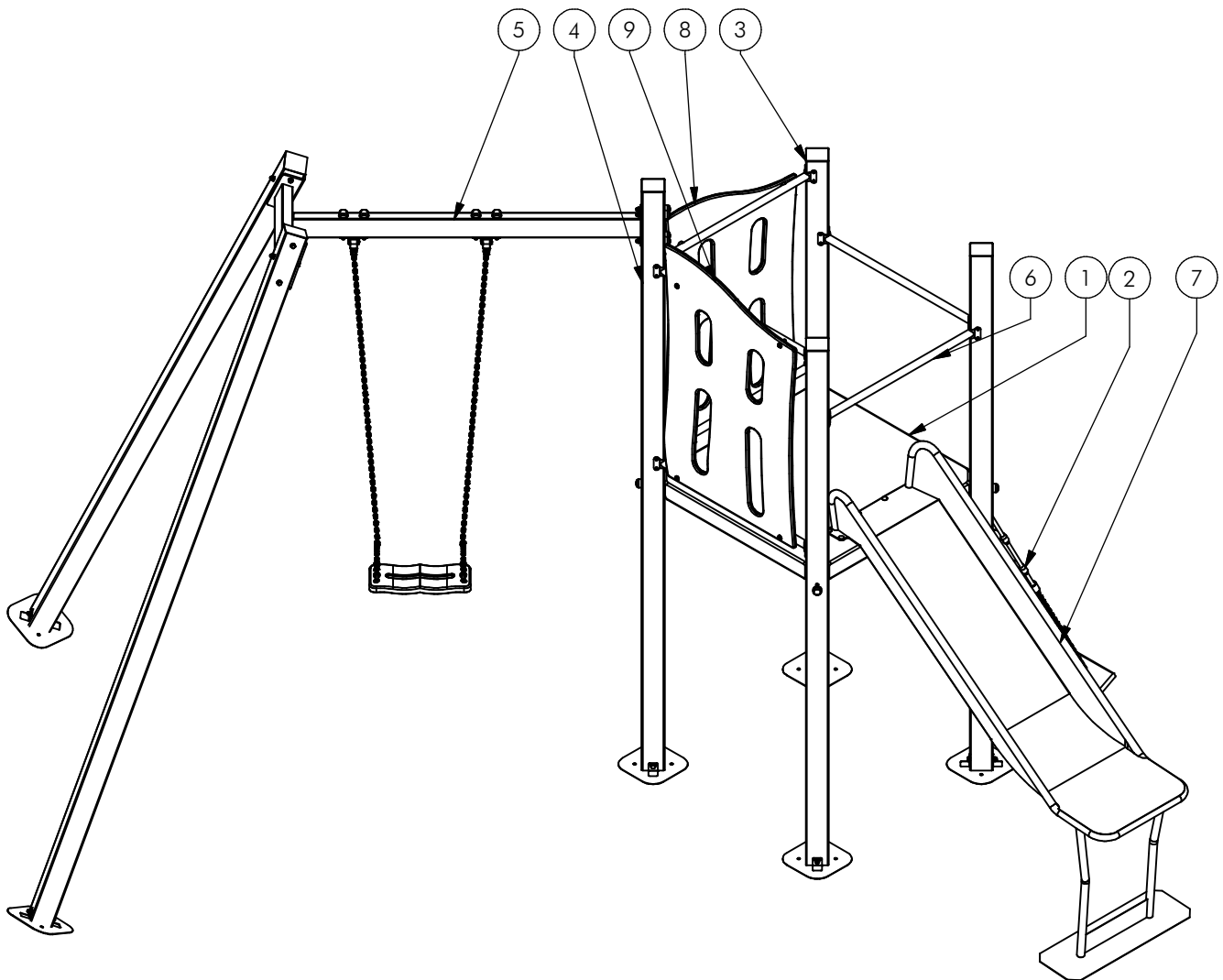
- 1 - Dig the holes according to the ground plan
- 2 - Assemble tower 1,3(3x),4,6,8,9
- 3 - Place tower
- 4 - Place 2,5,7 and attach it to tower
- 5 - Check that the unit conforms to the dimensions on sheet 'dimensions'
- 6 - Close the holes and compacted the sand

Controles:

- 1 - Correcte opbouw en alle bevestigingsmiddelen
- 2 - Controleer de afmetingen van de valbodem t.o.v. het toestel

Checks:

- 1 - Correct assembly and all the fasteners
- 2 - Check the dimensions of the safety area with regard to the play equipment



Nr	#	Type	Progr.	Volgnr	Bew.	Rev.	Benaming	Opmerking
1	1	MOD	VRB	RVS	008		VIERKANTVLOER	VRJIBUITER
2	1	MOD	VRB	RVS	031	A	OPLOOPNET	VLOER 93 CM
3	3	MOD	VRB	RVS	052		Staander 93 vloer	213 CM
4	1	MOD	VRB	RVS	054		STAANDER OPSTAP	247 CM
5	1	MOD	VRB	RVS	058	C	SCHOMMEL	AANBOUW
6	1	MOD	VRB	RVS	075		SYSTEEMBUIJS	ENKEL
7	1	MOD	VRB	RVS	190		Glijbaan 93 cm	Module RVS
8	1	MOD	VRB	RVS	232	A	Afschermwand	Schommel rood
9	1	MOD	VRB	RVS	233	A	Afschermwand	Schommel blauw



Benaming
Title Vrijbuitter

Opmerking
Comment RVS

Datum
Date 28-11-2013

Tekening
Drawing

TOE VRB 060 663 A

Modules Modules

VRBE060.663

Combination equipment

LOGBOOK

(Onderstaand logboek kan gebruikt worden om te voldoen aan de eisen, gesteld in artikel 14 van het Warenwetbesluit Attractie- en Speeltoestellen)

Type indication	Nature Play
Product code	VRBE060.663
Name of equipment	Vrijbuitter Klimklautertoestel
Maximum height of fall	1,5 m
Year of construction	2017
Certificate	09200116201
inspection authority	Liftinstituut B.V. Buikslotermeerplein 381, A'dam - 1025 XE Amsterdam
Name manufacturer	BOERplay Hyacintstraat 2 - 4255 HX Nieuwendijk Phone: +31 (0)183 40 23 66 Fax: +31 (0)183 40 35 64
name installer	_____
Description of equipment	Combination equipment
Location of equipment	_____
Data about the owner of the play equipment	
Name:	_____
Address:	_____
Postcode and town:	_____
Contact person:	_____
Telephone number:	_____
Data about the administrator of the play equipment	
Name:	_____
Address:	_____
Postcode and town:	_____
Contact person:	_____
Telephone number:	_____

LOGBOOK

Inspection and maintenance intervals



Nr.	Inspection	Maintenance	months between inspections
1	Verify equipment's stability, junctions and missing parts. Inspect bolts, screws and nuts for absence, jams, corrosion and wear.	Add missing parts, secure joints, apply missing fixing agent and replace corroded parts.	1
2	Check suspension for wear.	Replace worn parts and/or remove non-functioning parts.	1
3	Inspect rotating parts such as hinges, rolling-element bearings, etc. for wear and acceptability.	Replace worn parts and/or remove non-functioning parts.	1
4	Check wood for splinters, unacceptable damage and signs of rot. Especially at ground level.	Repair damage. Replace affected wood. Smoothen splintered wood and sharp edges.	1
5	Inspect foundation for stability, tearing and coverage.	Restore foundation and covering material.	3
6	Examine rubber and synthetic parts for wear, damage and break.	Replace original parts.	3
7	Inspect metal for corrosion and damage in the coating.	Restore any damaged coating (after removing rust and applying primer).	6
8	Check ropes, cables, chains and nets for wear and damage. Steel cables and nets which are tensioned must be checked for tension.	Replace parts where necessary. Steel cables and nets must be tensioned.	3
9	Inspect equipment for unsafe changes and additions.	Remove unsafe additions and correct unsafe changes.	1
10	Inspect safety surfaces.	Restore and repair where necessary.	1

Remarks

1. If used intensively, all points require extra attention.
2. Extreme weather conditions and locations may require a higher inspection frequency. Discuss this with the supplier.
3. Vandalism-sensitive locations require stricter inspections, possibly daily.
4. Check the terrain regularly for items that do not belong there, are unsafe or may be used wrongly. Examples are poisonous plants, glass shards, etc. Frequency depends on strain.
5. Remember that bad maintenance leads to unsafe conditions and notably faster impoverishment of the playground area.
6. Replacement parts can be ordered at the manufacturer with the part numbers on the module drawing. Drawings can be found in de user guide.
7. The impact area shall be provided with impact attenuating surface according to the specified falling height.
8. This list is conform the CEN-standard "playground equipment and surfacing NEN-EN 1176-7".

TYPE-EXAMINATION CERTIFICATE

Acting under the "Warenwetbesluit Attractie- en Speeltoestellen" issued by Liftinstituut B.V.
commissioned by departmental order, no. VGP/PSL 2857566 from 27 Juni 2008.

Certificate nr. : NL 09-2001-162-01 Revision nr.: 200116201

Description of the product : Playground equipment, made up by modules

Trademark, type : Speelwijzer, MOD VRB: 001 t/m 019, 021 t/m 027, 029, 031,032, 034 t/m 062, 065, 066, 071 t/m 074, 076, 077, 079 t/m 082, 190 t/m 193

Name and address of the manufacturer : Speelwijzer
Nijverheidsstraat 8
5317 NL Nederhemert Noord

Name and address of the certificate holder : Speelwijzer
Nijverheidsstraat 8
5317 NL Nederhemert Noord

Certificate issued on the basis of the following requirements : Warenwetbesluit Attractie- en Speeltoestellen

Test laboratory : None

Date and number of the laboratory report : None

Date of type-examination : September 3th 2001, February 9th 2009

Annexes with this certificate : Report belonging to the type-examination certificate nr.: NL 09-2001-162-01

Additional remarks : This certificate supersedes type certificate dated June 21th 2002, with certificate number NL 01-2001-162-01

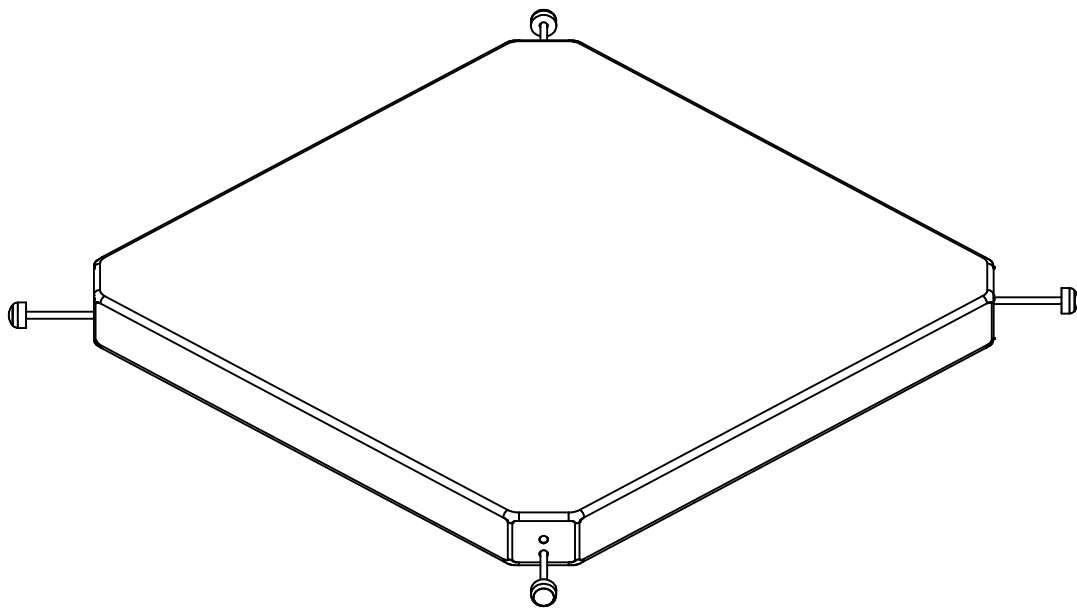
Conclusion : The playground equipment meets the requirements of the above specified European standard(s) and "Warenwetbesluit Attractie- en Speeltoestellen" taking into account any additional remarks mentioned above.



Issued in Amsterdam

Date of issue : April 7th, 2009

Ir. V.M.A. Barendregt
Senior Officer Certification &
Technology
Liftinstituut B.V.



Nr	#	Type	Progr.	Volgnr	Bew.	Rev.	Benaming	Opmerking
1	4	BSR	011	010	020		DOPMOER	BORG RVS M10
2	4	BSR	021	010	160		Zeskantbout	M10 x 160 - RVS A2-70
3	4	BSR	030	010	002		SLUITRING	M10
4	4	BSR	035	010	030		CARROSSERIERING	M10 x 30 x 2,5
5	4	KST	DON	010	030		Beschermkop M10-M12	Donut Rood
6	4	KST	DOP	010	030		Beschermkop M10-M12	Dop rood
7	4	KST	LAM	015	005		LAMELLENSTOP	ROND 15
8	1	SHO	VRB	001	COA	C	Vloer VRB	Vierkant



Benaming
Title: VIERKANTVLOER

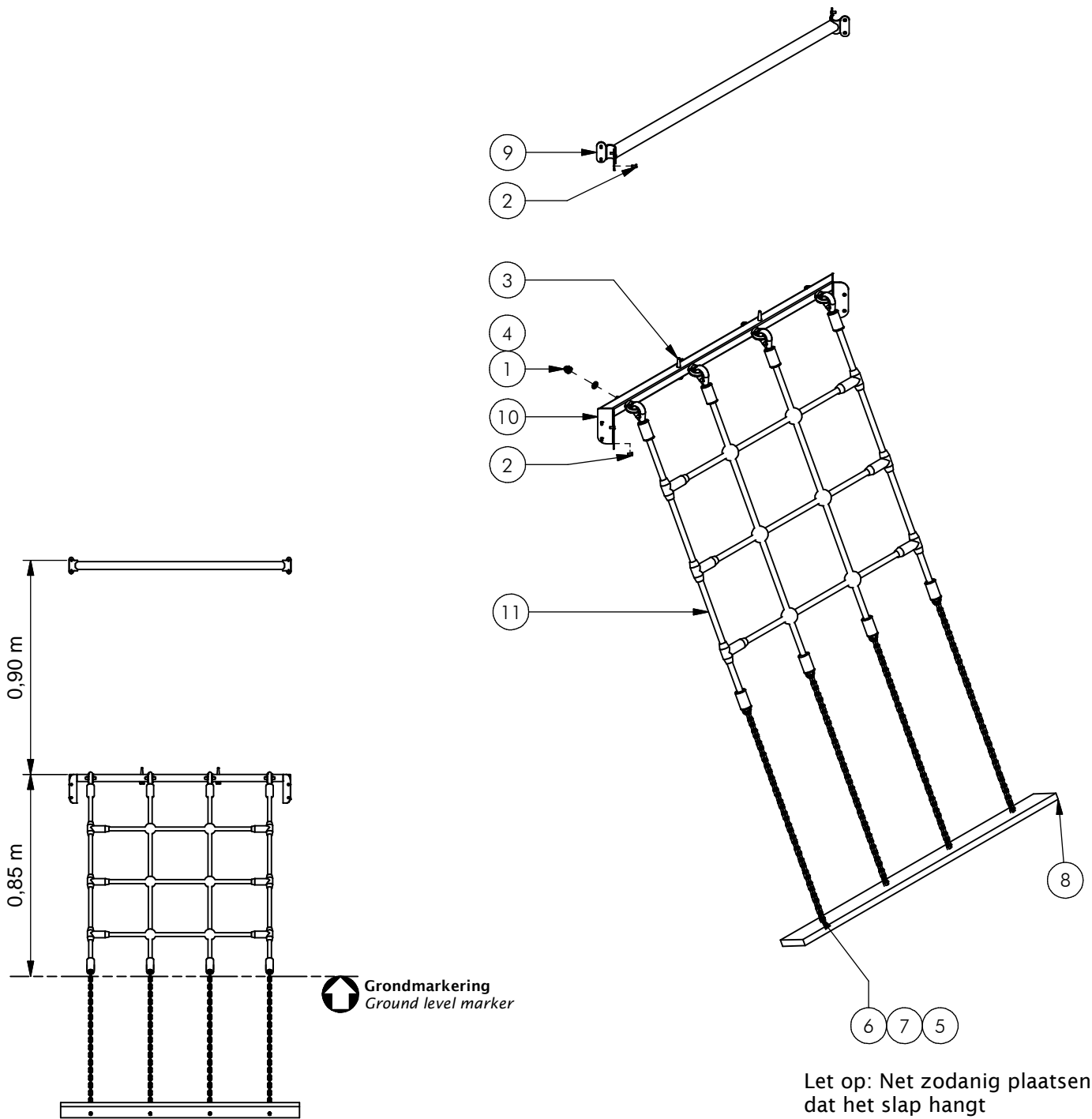
Opmerking
Comment: VRIJBUITER

Datum
Date: 2-1-2007

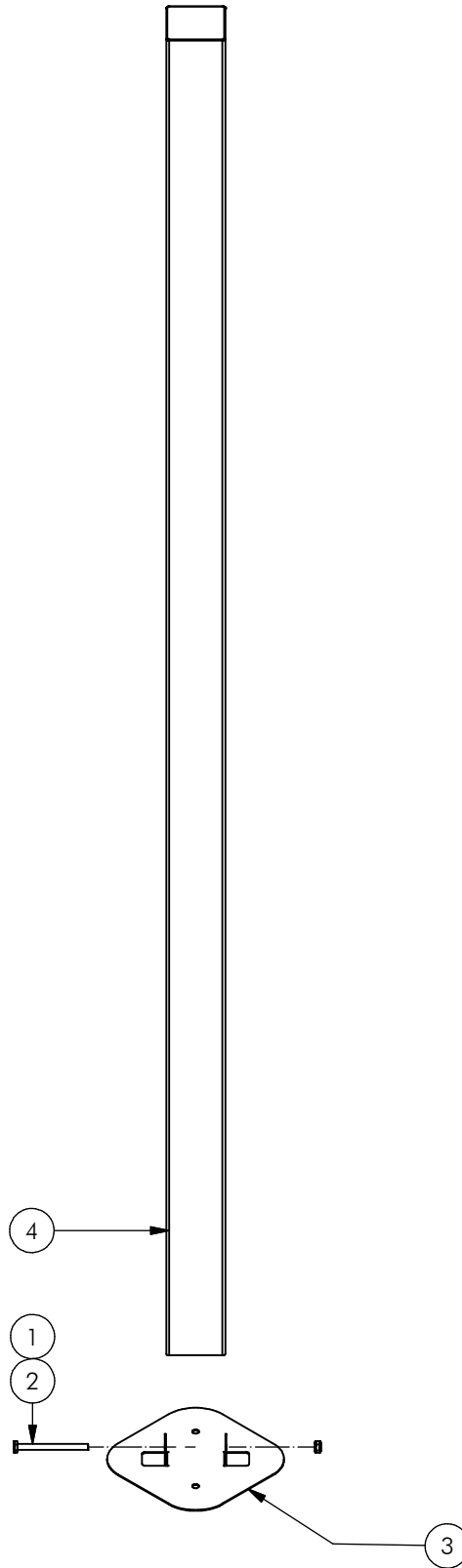
Tekening
Drawing

MOD VRB RVS 008

Samenstelling module Assembly module



Nr	#	Type	Progr.	Volgnr	Bew.	Rev.	Benaming	Opmerking
1	4	BSR	011	010	020		DOPMOER	BORG RVS M10
2	16	BSR	014	005	050		Klinknagel balkkop	4.8 X 12 - RVS A2-70
3	2	BSR	022	010	060		Houtdraadbout	ø10 X 60 - RVS A2-70
4	6	BSR	030	010	002		SLUITRING	M10
5	4	BSV	017	006	005		Zeskantmoer	M6 - VZ 8.8
6	4	BSV	021	006	050		Zeskantbout ISO 4014	M6 x 50 - VZ 8.8
7	8	BSV	030	006	002		Sluitring	M6 - VZ 8.8
8	1	KST	APL	100			Ankerplaat	1000x100x19
9	1	SME	VRB	505	320	D	SYSTEEMBUIS	VRIJBUIITER RVS
10	1	SME	VRB	562	320		VLOERKOKER	HANGNET
11	1	SNT	VRB	005	BLW	D	OPLOOPNET	VRIJBUIITER



Nr.	#	Type	Progr.	Volgnr.	Bew.	Rev.	Benaming	Opmerking
1	1	BSV	010	010	010		Borgmoer	M10 - VZ 8.8
2	1	BSV	021	010	120		Zeskantbout ISO 4014	M10 x 120 - VZ 8.8
3	1	OME	VRB	903	VZP	C	Voetplaat	100 x 100
4	1	SME	VRB	638	320		Staander RVS	100x100 L=2730



Benaming
Title | Staander 93 vloer

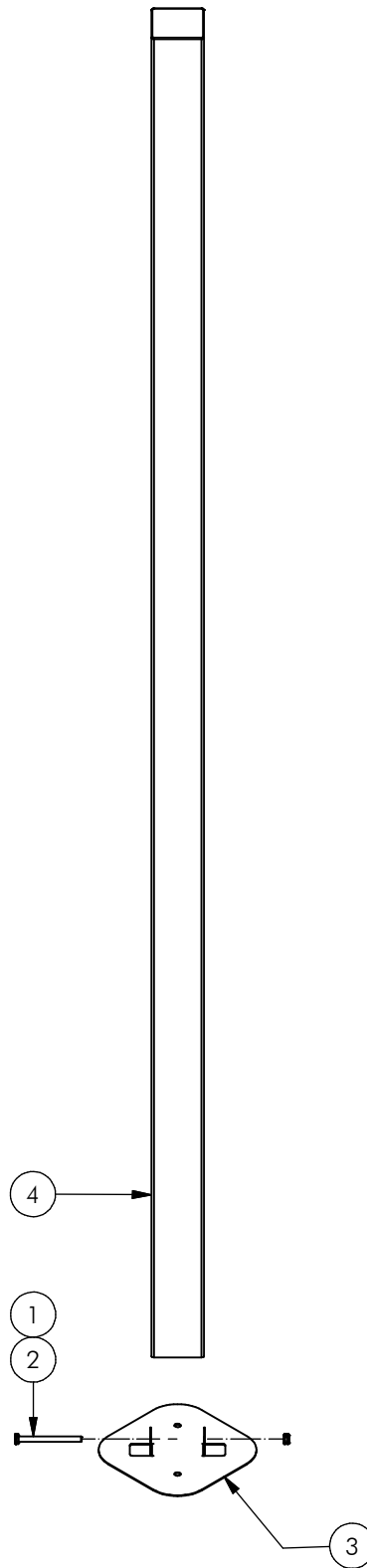
Opmerking
Comment | 213 CM

Datum
Date | 22-7-2009

Tekening
Drawing

MOD VRB RVS 052

Samenstelling module *Assembly module*



Nr.	#	Type	Progr.	Volgnr.	Bew.	Rev.	Benaming	Opmerking
1	1	BSV	010	010	010		Borgmoer	M10 - VZ 8.8
2	1	BSV	021	010	120		Zeskantbout ISO 4014	M10 x 120 - VZ 8.8
3	1	OME	VRB	903	VZP	C	Voetplaat	100 x 100
4	1	SME	VRB	574	320	B	Staander RVS, S6	100x100, L=3070



Benaming
Title STAANDER OPSTAP

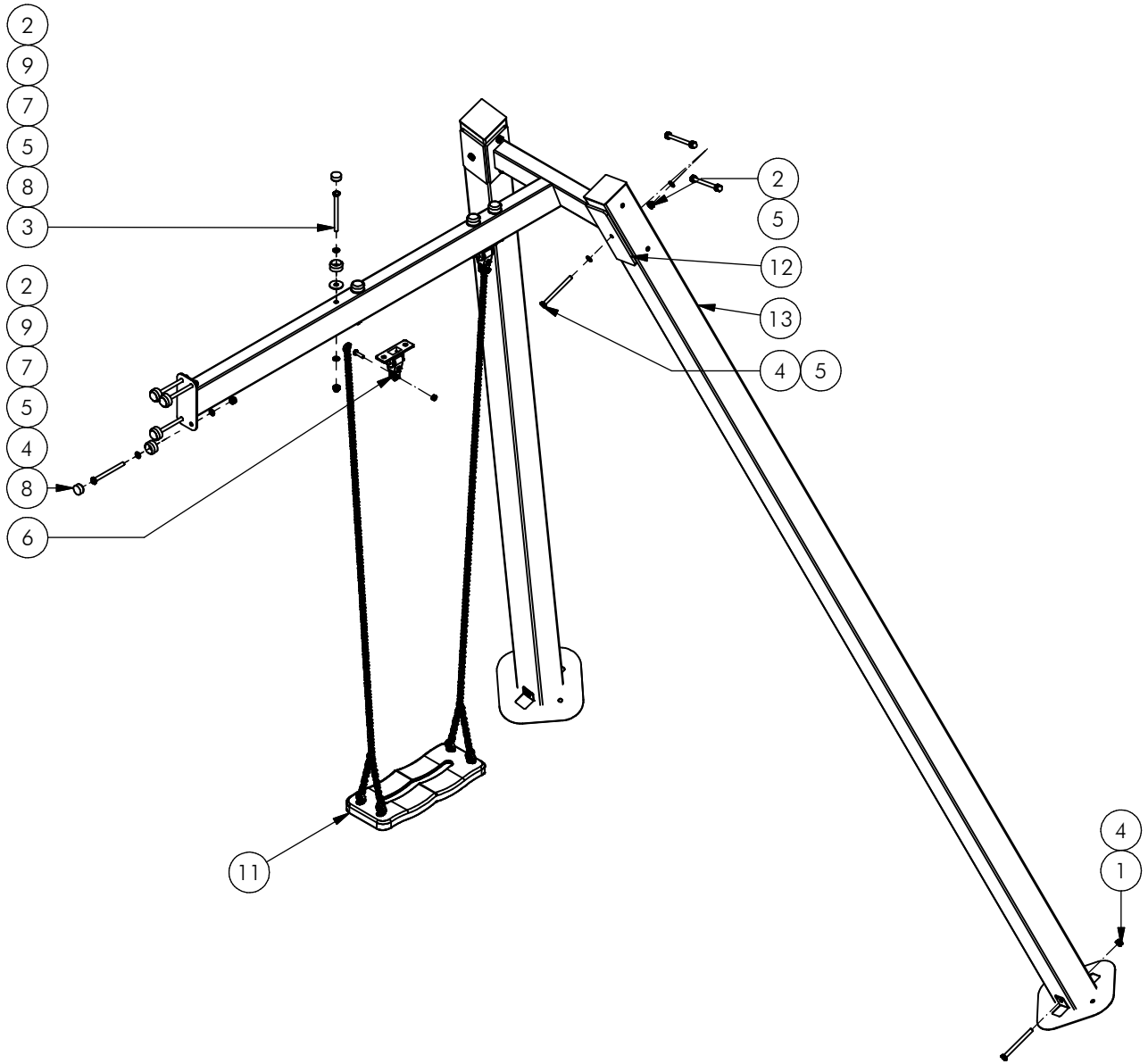
Opmerking
Comment 247 CM

Datum
Date 20-11-2006

Tekening
Drawing

MOD VRB RVS 054

Samenstelling module *Assembly module*



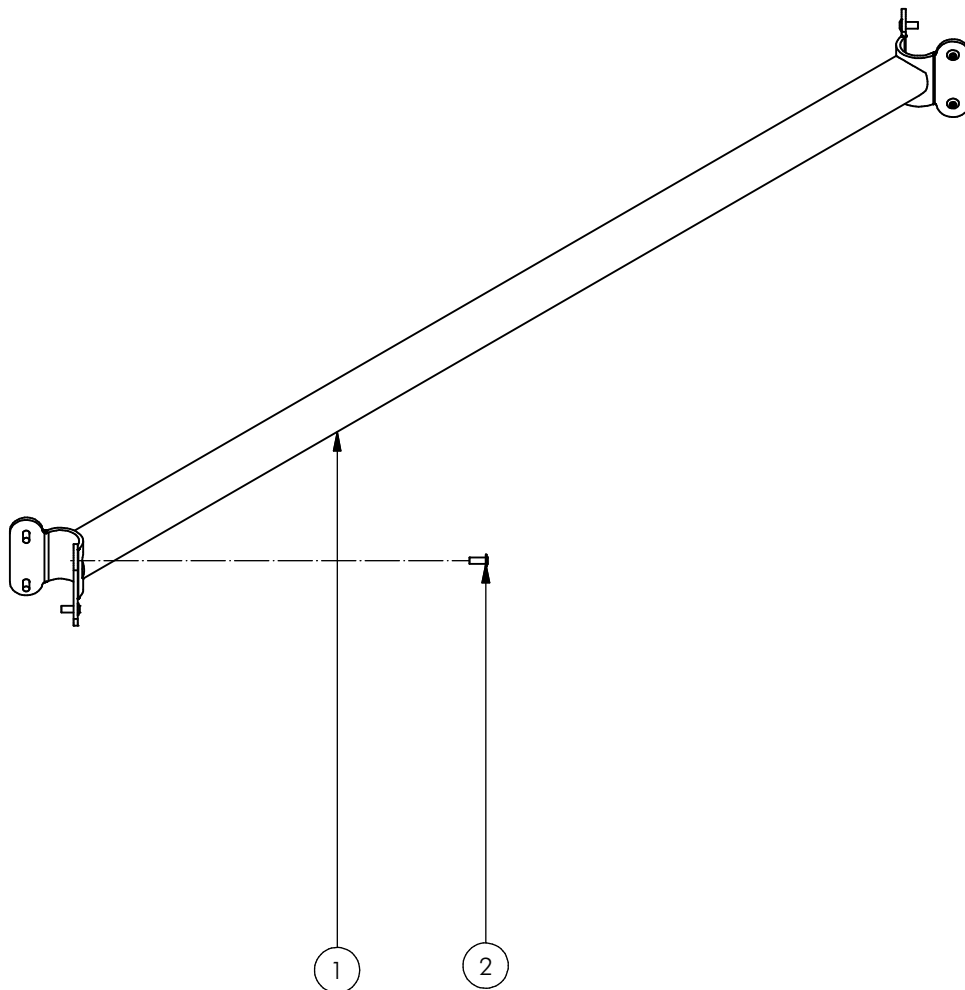
Nr	#	Type	Progr.	Volgnr	Bew.	Rev.	Benaming	Opmerking
1	2	BSR	010	010	010		Borgmoer	M10 - RVS A2-70
2	14	BSR	011	010	020		DOPMOER	BORG RVS M10
3	4	BSR	021	010	130		Zeskantbout	M10 x 130 - RVS A2-70
4	12	BSR	021	010	120		Zeskantbout	M10 x 120 - RVS A2-70
5	32	BSR	030	010	002		SLUITRING	M10
6	2	BSR	081	012	091		Schommelscharnier	RVS A2-70
7	8	KST	DON	010	030		Bescherm dop M10-M12	Donut Rood
8	8	KST	DOP	010	030		Bescherm dop M10-M12	Dop rood
9	4	KST	RNG	013	040		RING	KUNSTSTOF
10	2	OME	VRB	903	VZP	C	Voetplaat	100 x 100
11	1	SMD	ZIT	180	090		Zitje incl. ketting	
12	1	SME	SOL	253	320	A	SCHOMMELBALK	AANBOUW HOUT
13	2	SME	VRB	653	320		Staander	Overgooischommel



Benaming Title: SCHOMMEL
 Opmerking Comment: AANBOUW
 Datum Date: 6-9-2016

Tekening Drawing

MOD VRB RVS 058 C
 Samenstelling module Assembly module



Nr	#	Type	Progr.	Volgnr	Bew.	Rev.	Benaming	Opmerking
1	1	SME	VRB	505	320	D	SYSTEEMBUIS	VRJBUITER RVS
2	8	BSR	014	005	050		Klinknagel bolkop	4.8 X 12 - RVS A2-70



Benaming
Title SYSTEEMBUIS

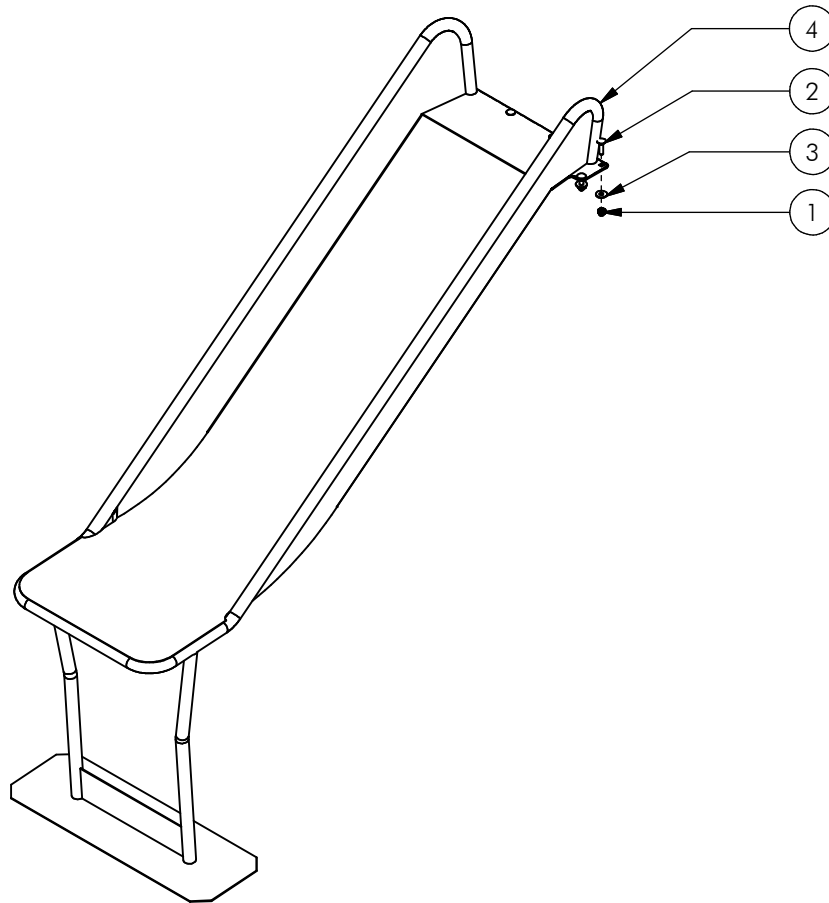
Opmerking
Comment ENKEL

Datum
Date 25-9-2006

Tekening
Drawing

MOD VRB RVS 075

Samenstelling module *Assembly module*



Nr	#	Type	Progr.	Volgnr	Bew.	Rev.	Benaming	Opmerking
1	6	BSR	011	010	020		Borgdopmoer	M10 - RVS A2-70
2	6	BSR	026	010	040		Slotbout	M10 x 40 - RVS A2-70
3	6	BSR	035	010	030		Carrosserie ring	M10 - RVS A2-70
4	1	SME	VRB	611	320	B	Glijbaan	93 cm



Benaming
Title | Glijbaan 93 cm

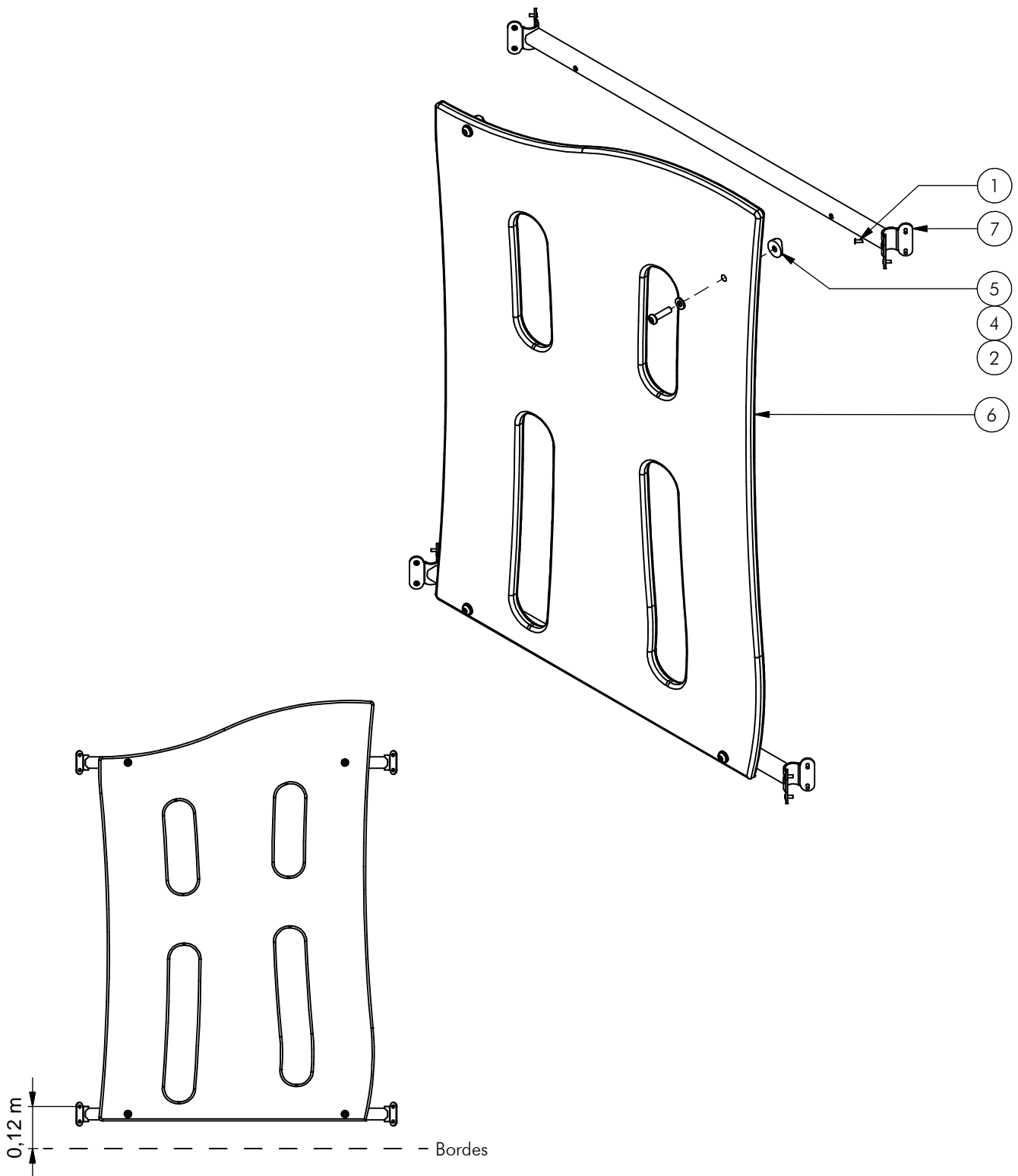
Opmerking
Comment | Module RVS

Datum
Date | 28-1-2009

Tekening
Drawing

MOD VRB RVS 190

Samenstelling module *Assembly module*



Nr	#	Type	Progr.	Volgnr	Bew.	Rev.	Benaming	Opmerking
1	16	BSR	014	005	050		Klinknagel bolkop	4,8 x 12 - RVS A2-70
2	4	BSR	023	010	040		Bolkopbout ISO 7380	M10 x 40 - RVS A2-70
3	4	KST	DOP	006	030		OPVULDOPJE	6 MM ROOD
4	4	KST	ROR	010	000		RING NYLON	M10 x 2.5 MM
5	4	KST	T33	010	000		ZADELRING	BUIS 33.7
6	1	OPE	VRB	043	030	A	Afschermwand	schommel rood
7	2	SME	VRB	506	320	D	SYSTEEMBUIS	VRJBUITER RVS



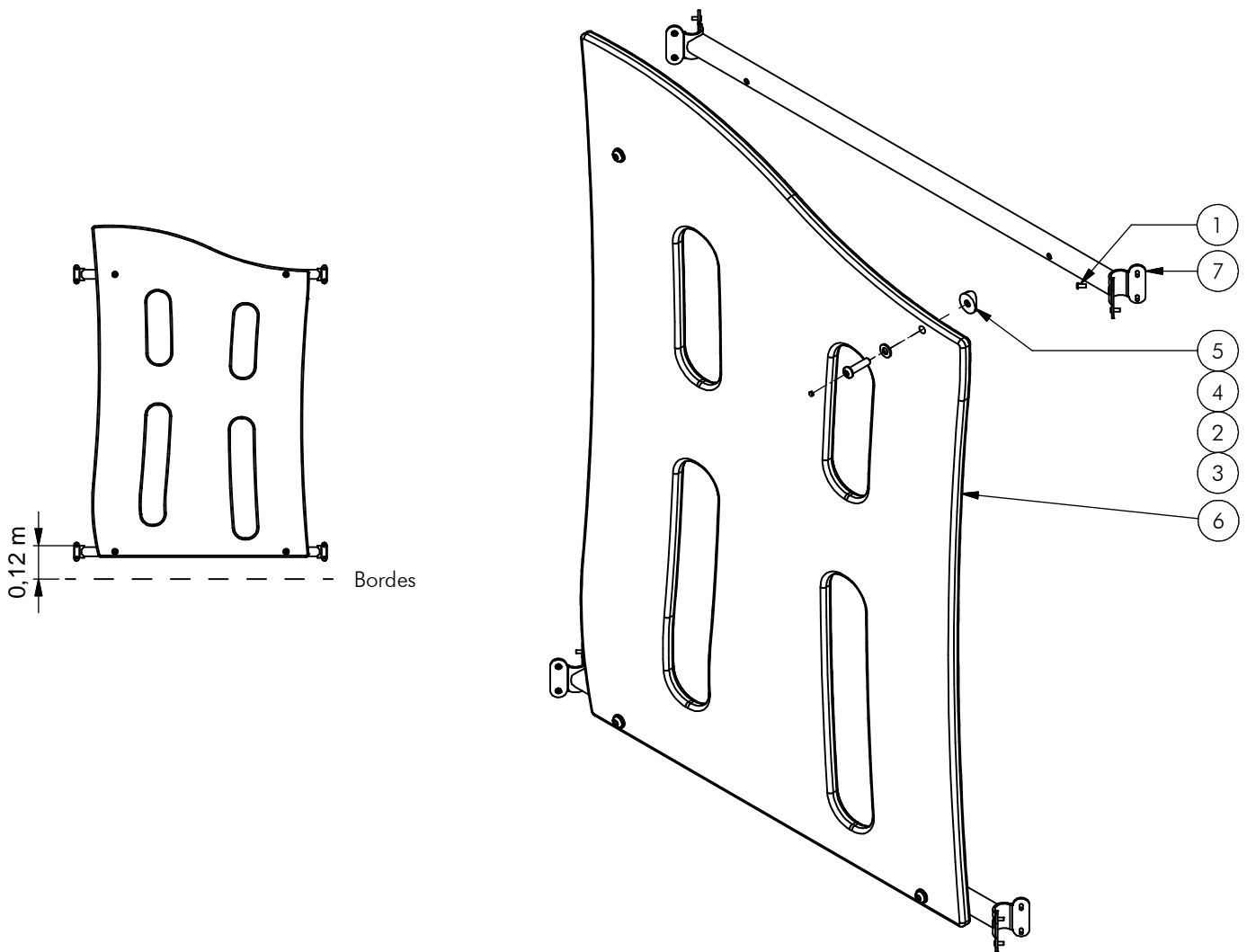
Benaming
Title Afschermwand

Opmerking
Comment Schommel rood

Datum
Date 4-3-2014

Tekening
Drawing

MOD VRB RVS 232 A
 Samenstelling module Assembly module



Nr	#	Type	Progr.	Volgnr	Bew.	Rev.	Benaming	Opmerking
1	16	BSR	014	005	050		Klinknagel balkkop	4,8 x 12 - RVS A2-70
2	4	BSR	023	010	040		Balkkopbout ISO 7380	M10 x 40 - RVS A2-70
3	4	KST	DOP	006	030		OPVULDOPJE	6 MM ROOD
4	4	KST	ROR	010	000		RING NYLON	M10 x 2.5 MM
5	4	KST	T33	010	000		ZADELRING	BUIS 33.7
6	1	OPE	VRB	043	050	A	Afschermwand	Schommel blauw
7	2	SME	VRB	506	320	D	SYSTEEMBUIS	VRIJBUITER RVS



Benaming
Title Afschermwand

Opmerking
Comment Schommel blauw

Datum
Date 4-3-2014

Tekening
Drawing

MOD VRB RVS 233 A
 Samenstelling module Assembly module