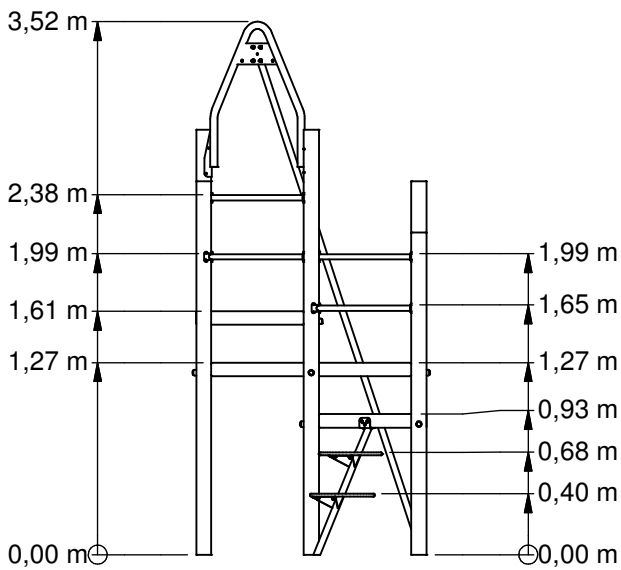
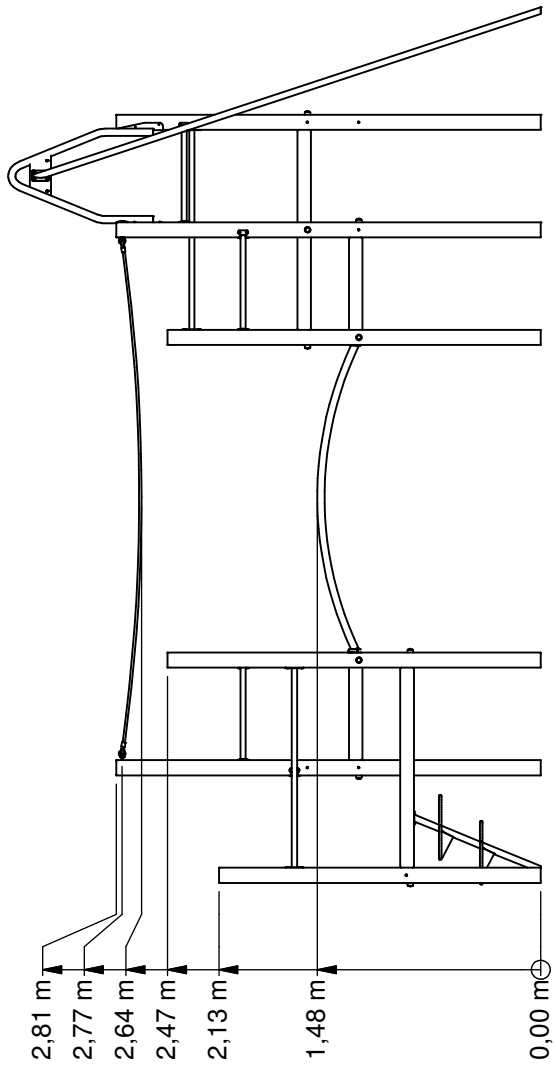
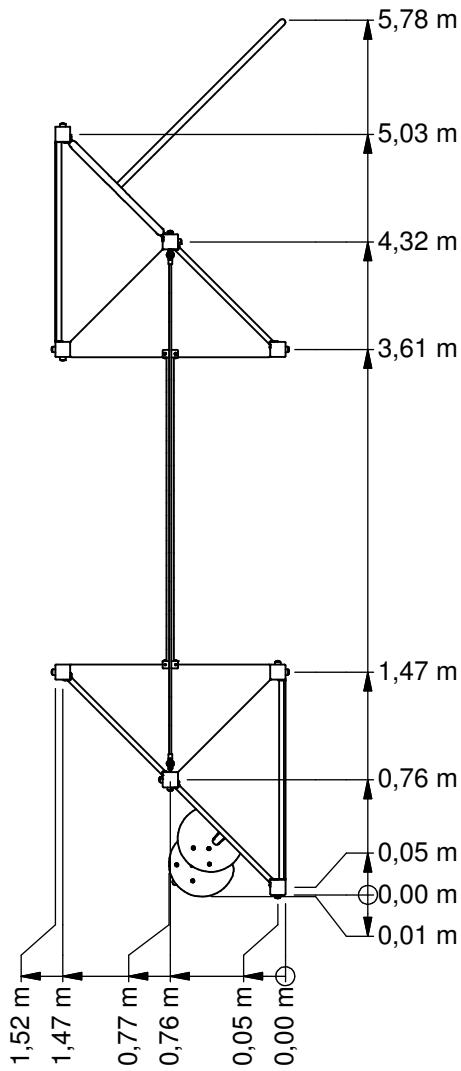




Combination equipment



VRBE060.715

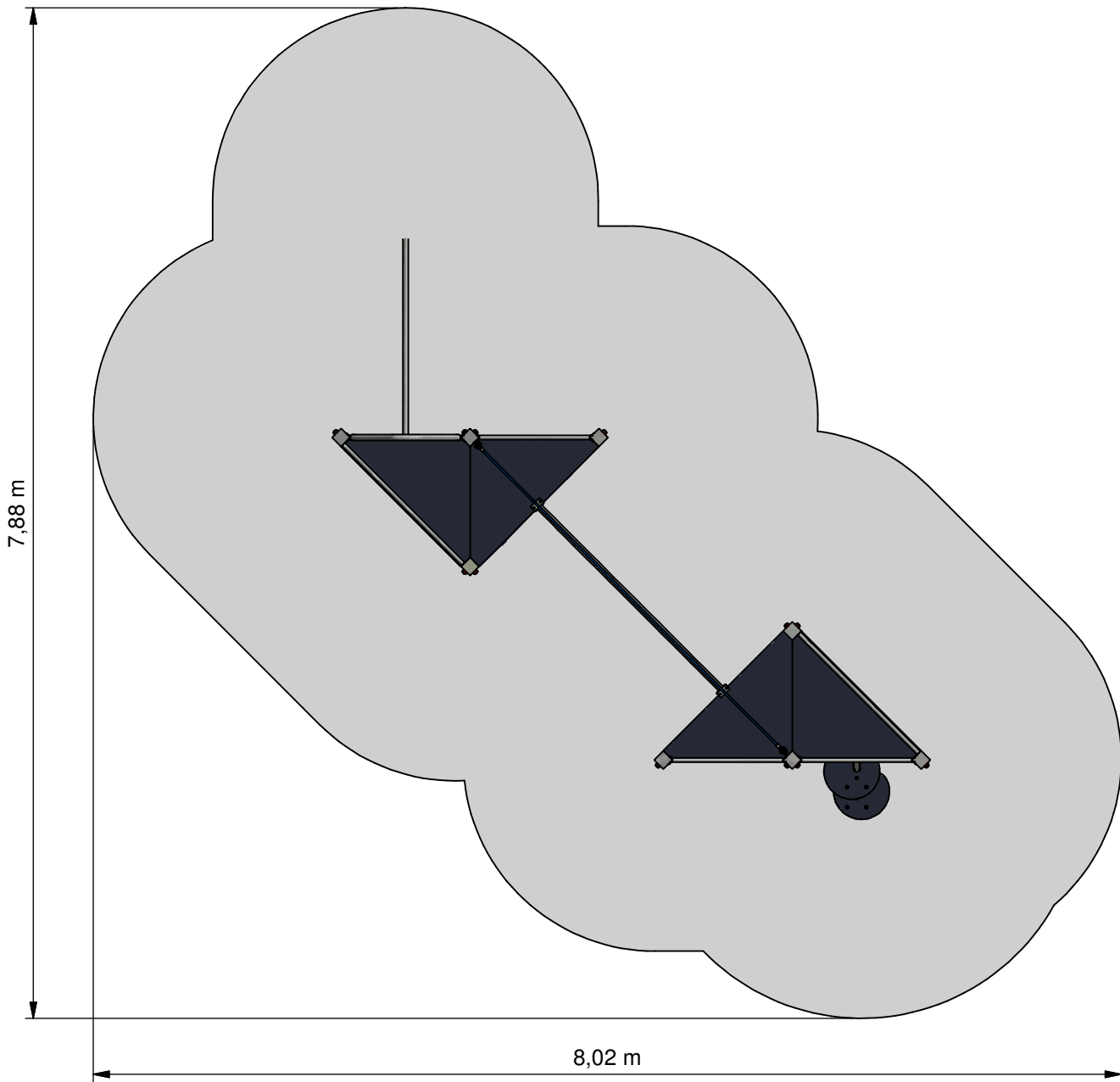


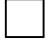
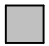
Benaming Title	Vrijbuiters
Opmerking Comment	RVS
Datum Date	10-10-2011

Tekening
Drawing

TOE VRB 060 715

Afmetingen Dimensions



	Opvangzone Impact area
	Obstakelvrije zone Obstacle free zone

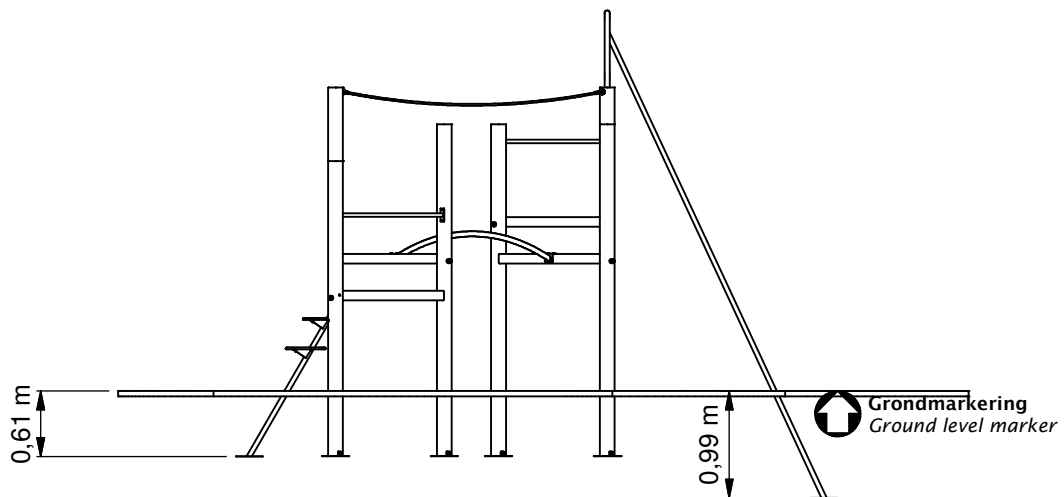
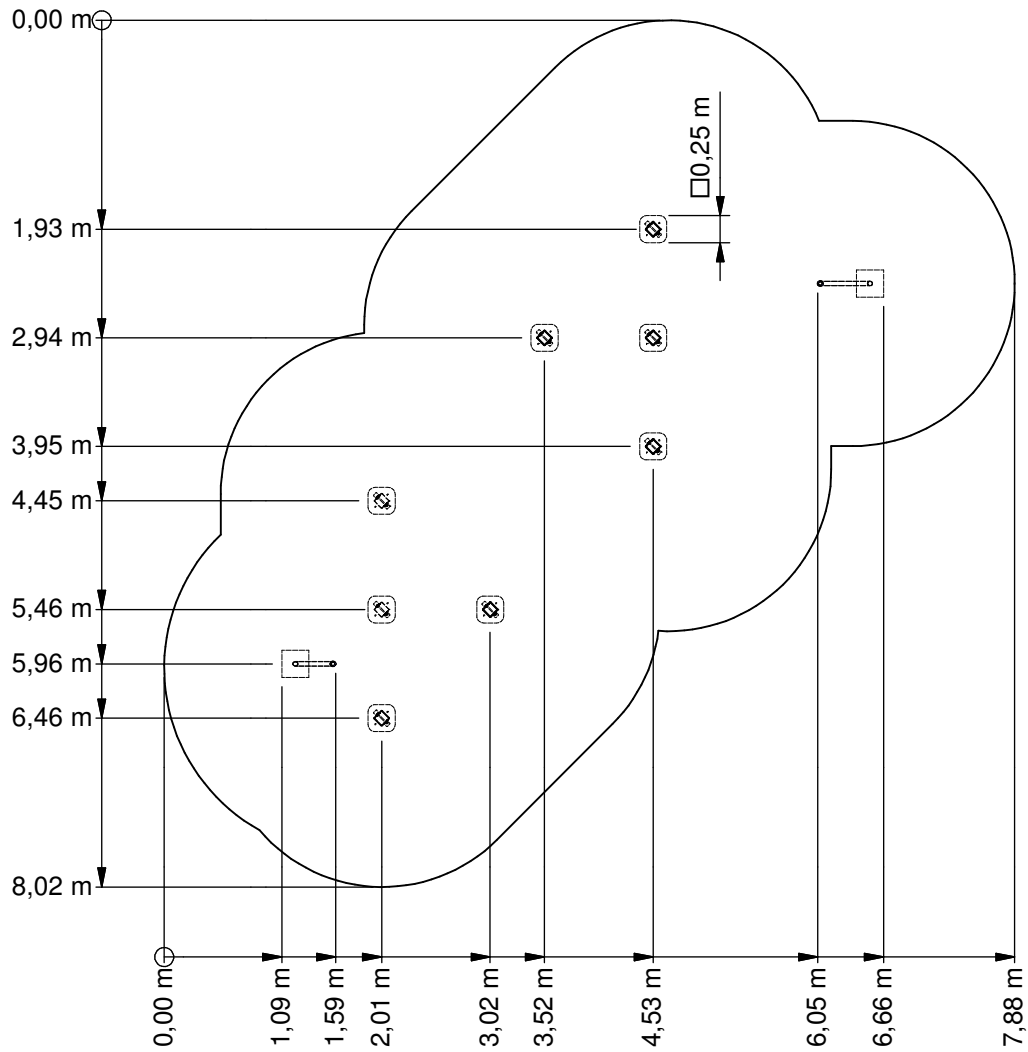


Benaming Title	Vrijbuiters
Opmerking Comment	RVS
Datum Date	10-10-2011

Tekening
Drawing

TOE VRB 060 715

Obstakelvrije zone *Obstacle free zone*





Nr.	#	Type	Progr.	Volgnr.	Bew.	Rev.	Benaming	Opmerking
1	4	MOD	VRB	RVS	009		DRIEHOEKVLOER	VRJBUITER
2	2	MOD	VRB	RVS	050		Buis	Diagonaal
3	1	MOD	VRB	RVS	052		Staander 93 vloer	213 CM
4	4	MOD	VRB	RVS	054		STAANDER OPSTAP	247 CM
5	3	MOD	VRB	RVS	055		STAANDER OPSTAP	281 CM
6	1	MOD	VRB	RVS	066	A	GLIJPAAL	VLOER 195 CM
7	3	MOD	VRB	RVS	075		SYSTEEMBUIS	ENKEL
8	1	MOD	VRB	RVS	077		OVERSTEEK	ENKEL TOUW
9	1	MOD	VRB	RVS	169		Boomtrap	Vrijbuitter 93 cm



Benaming
Title Vrijbuitter

Opmerking
Comment RVS

Datum
Date 10-10-2011

Tekening
Drawing

TOE VRB 060 715

Modules Modules

VRBE060.715

Combination equipment

LOGBOOK

(Onderstaand logboek kan gebruikt worden om te voldoen aan de eisen, gesteld in artikel 14 van het Warenwetbesluit Attractie- en Speeltoestellen)

Type indication	Nature Play
Product code	VRBE060.715
Name of equipment	Vrijbuitter Klimklautertoestel
Maximum height of fall	1,7 m
Year of construction	2017
Certificate	09200116201
inspection authority	Liftinstituut B.V. Buikslotermeerplein 381, A'dam - 1025 XE Amsterdam
Name manufacturer	BOERplay Hyacintstraat 2 - 4255 HX Nieuwendijk Phone: +31 (0)183 40 23 66 Fax: +31 (0)183 40 35 64
name installer	_____ _____
Description of equipment	Combination equipment
Location of equipment	_____
Data about the owner of the play equipment	
Name:	_____
Address:	_____
Postcode and town:	_____
Contact person:	_____
Telephone number:	_____
Data about the administrator of the play equipment	
Name:	_____
Address:	_____
Postcode and town:	_____
Contact person:	_____
Telephone number:	_____

LOGBOOK

Inspection and maintenance intervals



Nr.	Inspection	Maintenance	months between inspections
1	Verify equipment's stability, junctions and missing parts. Inspect bolts, screws and nuts for absence, jams, corrosion and wear.	Add missing parts, secure joints, apply missing fixing agent and replace corroded parts.	1
2	Check suspension for wear.	Replace worn parts and/or remove non-functioning parts.	1
3	Inspect rotating parts such as hinges, rolling-element bearings, etc. for wear and acceptability.	Replace worn parts and/or remove non-functioning parts.	1
4	Check wood for splinters, unacceptable damage and signs of rot. Especially at ground level.	Repair damage. Replace affected wood. Smoothen splintered wood and sharp edges.	1
5	Inspect foundation for stability, tearing and coverage.	Restore foundation and covering material.	3
6	Examine rubber and synthetic parts for wear, damage and break.	Replace original parts.	3
7	Inspect metal for corrosion and damage in the coating.	Restore any damaged coating (after removing rust and applying primer).	6
8	Check ropes, cables, chains and nets for wear and damage. Steel cables and nets which are tensioned must be checked for tension.	Replace parts where necessary. Steel cables and nets must be tensioned.	3
9	Inspect equipment for unsafe changes and additions.	Remove unsafe additions and correct unsafe changes.	1
10	Inspect safety surfaces.	Restore and repair where necessary.	1

Remarks

1. If used intensively, all points require extra attention.
2. Extreme weather conditions and locations may require a higher inspection frequency. Discuss this with the supplier.
3. Vandalism-sensitive locations require stricter inspections, possibly daily.
4. Check the terrain regularly for items that do not belong there, are unsafe or may be used wrongly. Examples are poisonous plants, glass shards, etc. Frequency depends on strain.
5. Remember that bad maintenance leads to unsafe conditions and notably faster impoverishment of the playground area.
6. Replacement parts can be ordered at the manufacturer with the part numbers on the module drawing. Drawings can be found in de user guide.
7. The impact area shall be provided with impact attenuating surface according to the specified falling height.
8. This list is conform the CEN-standard "playground equipment and surfacing NEN-EN 1176-7".

TYPE-EXAMINATION CERTIFICATE

Acting under the "Warenwetbesluit Attractie- en Speeltoestellen" issued by Liftinstituut B.V.
commissioned by departmental order, no. VGP/PSL 2857566 from 27 Juni 2008.

Certificate nr. : NL 09-2001-162-01 Revision nr.: 200116201

Description of the product : Playground equipment, made up by modules

Trademark, type : Speelwijzer, MOD VRB: 001 t/m 019, 021 t/m 027, 029, 031,032, 034 t/m 062, 065, 066, 071 t/m 074, 076, 077, 079 t/m 082, 190 t/m 193

Name and address of the manufacturer : Speelwijzer
Nijverheidsstraat 8
5317 NL Nederhemert Noord

Name and address of the certificate holder : Speelwijzer
Nijverheidsstraat 8
5317 NL Nederhemert Noord

Certificate issued on the basis of the following requirements : Warenwetbesluit Attractie- en Speeltoestellen

Test laboratory : None

Date and number of the laboratory report : None

Date of type-examination : September 3th 2001, February 9th 2009

Annexes with this certificate : Report belonging to the type-examination certificate nr.: NL 09-2001-162-01

Additional remarks : This certificate supersedes type certificate dated June 21th 2002, with certificate number NL 01-2001-162-01

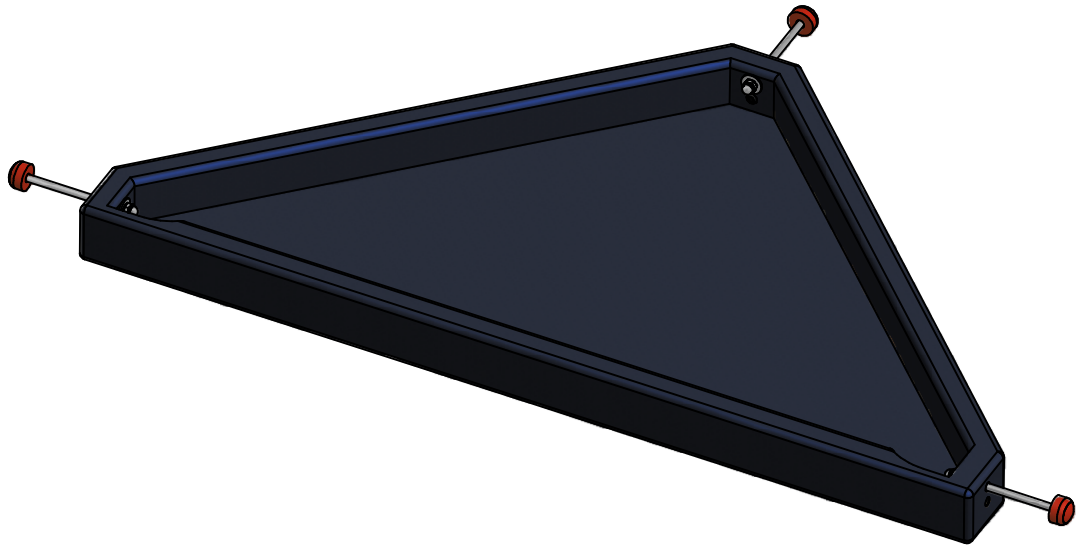
Conclusion : The playground equipment meets the requirements of the above specified European standard(s) and "Warenwetbesluit Attractie- en Speeltoestellen" taking into account any additional remarks mentioned above.



Issued in Amsterdam

Date of issue : April 7th, 2009

Ir. V.M.A. Barendregt
Senior Officer Certification &
Technology
Liftinstituut B.V.



Nr	#	Type	Progr.	Volgnr	Bew.	Rev.	Benaming	Opmerking
1	3	BSR	011	010	020		DOPMOER	BORG RVS M10
2	3	BSR	021	010	160		Zeskantbout	M10 x 160 - RVS A2-70
3	3	BSR	030	010	002		SLUITRING	M10
4	3	BSR	035	010	030		CARROSSERIERING	M10 x 30 x 2,5
5	3	KST	DON	010	030		Beschermdop M10-M12	Donut Rood
6	3	KST	DOP	010	030		Beschermdop M10-M12	Dop rood
7	3	KST	LAM	015	005		LAMELLENSTOP	ROND 15
8	1	SHO	VRB	002	COA	B	VLOER VRB	DRIEHOEK



Benaming
Title DRIEHOEKVLOER

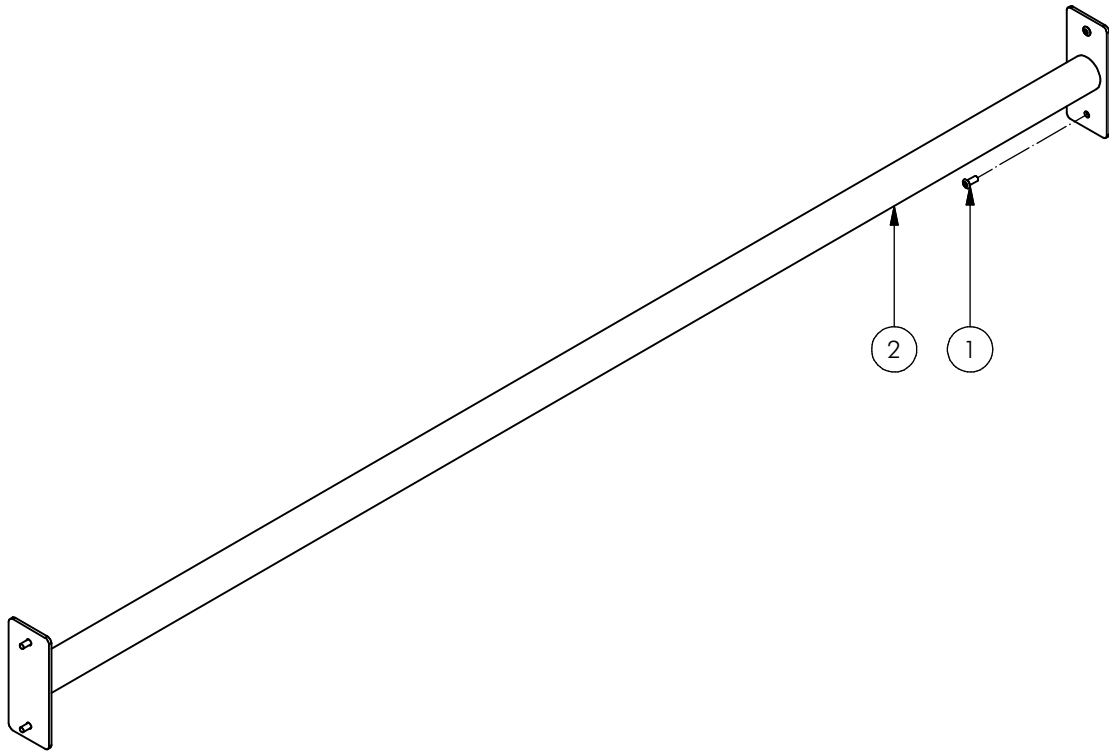
Opmerking
Comment VRIJBUITER

Datum
Date 2-1-2007

Tekening
Drawing

MOD VRB RVS 009

Samenstelling module Assembly module



2	1	SME	VRB	022	320	D	SYSTEEMBUIS	DIAGONAAL
1	4	BSR	014	005	050		BOLKOPKLINKNAGEL	4.8X12
POS	N	TYPE	PROJ.	NR.	BEH.	R	BENAMING	OPMERKING



Benaming
Title Buis

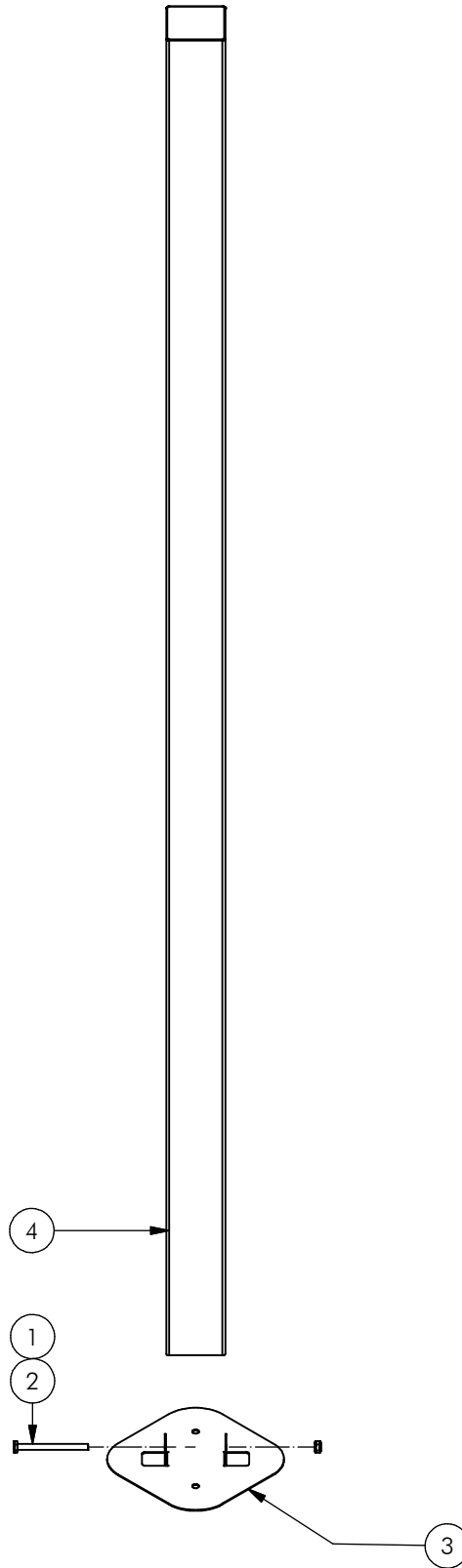
Opmerking
Comment Diagonaal

Datum
Date 4-6-2012

Tekening
Drawing

MOD VRB RVS 050

Samenstelling module *Assembly module*



Nr.	#	Type	Progr.	Volgnr.	Bew.	Rev.	Benaming	Opmerking
1	1	BSV	010	010	010		Borgmoer	M10 - VZ 8.8
2	1	BSV	021	010	120		Zeskantbout ISO 4014	M10 x 120 - VZ 8.8
3	1	OME	VRB	903	VZP	C	Voetplaat	100 x 100
4	1	SME	VRB	638	320		Staander RVS	100x100 L=2730



Benaming
Title | Staander 93 vloer

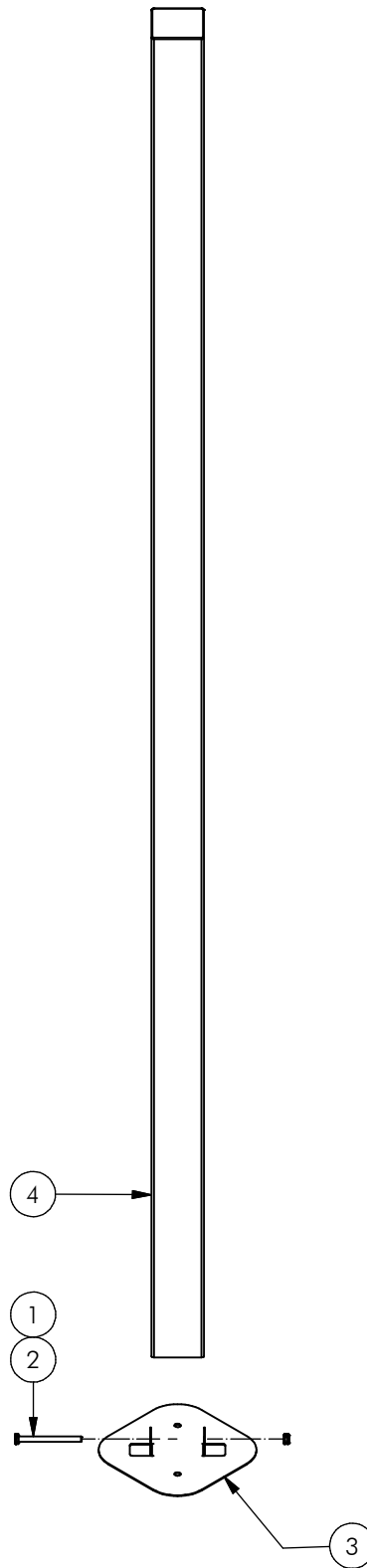
Opmerking
Comment | 213 CM

Datum
Date | 22-7-2009

Tekening
Drawing

MOD VRB RVS 052

Samenstelling module *Assembly module*



Nr.	#	Type	Progr.	Volgnr.	Bew.	Rev.	Benaming	Opmerking
1	1	BSV	010	010	010		Borgmoer	M10 - VZ 8.8
2	1	BSV	021	010	120		Zeskantbout ISO 4014	M10 x 120 - VZ 8.8
3	1	OME	VRB	903	VZP	C	Voetplaat	100 x 100
4	1	SME	VRB	574	320	B	Staander RVS, S6	100x100, L=3070



Benaming
Title STAANDER OPSTAP

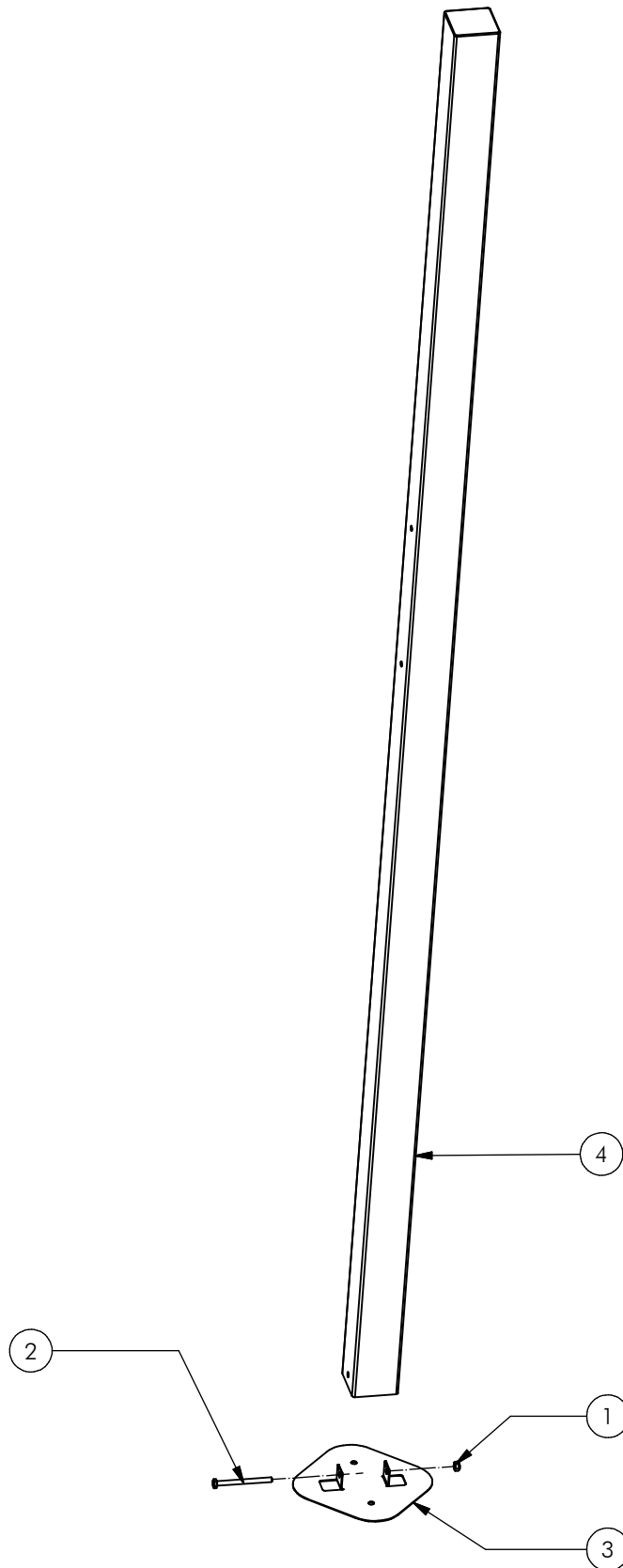
Opmerking
Comment 247 CM

Datum
Date 20-11-2006

Tekening
Drawing

MOD VRB RVS 054

Samenstelling module *Assembly module*



Nr.	#	Type	Progr.	Volgnr.	Bew.	Rev.	Benaming	Opmerking
1	1	BSV	010	010	010		Borgmoer	M10 - VZ 8.8
2	1	BSV	021	010	120		Zeskantbout ISO 4014	M10 x 120 - VZ 8.8
3	1	OME	VRB	903	VZP	C	Voetplaat	100 x 100
4	1	SME	VRB	575	320	B	Staander RVS	100x100, lengte=3410



Benaming
Title STAANDER OPSTAP

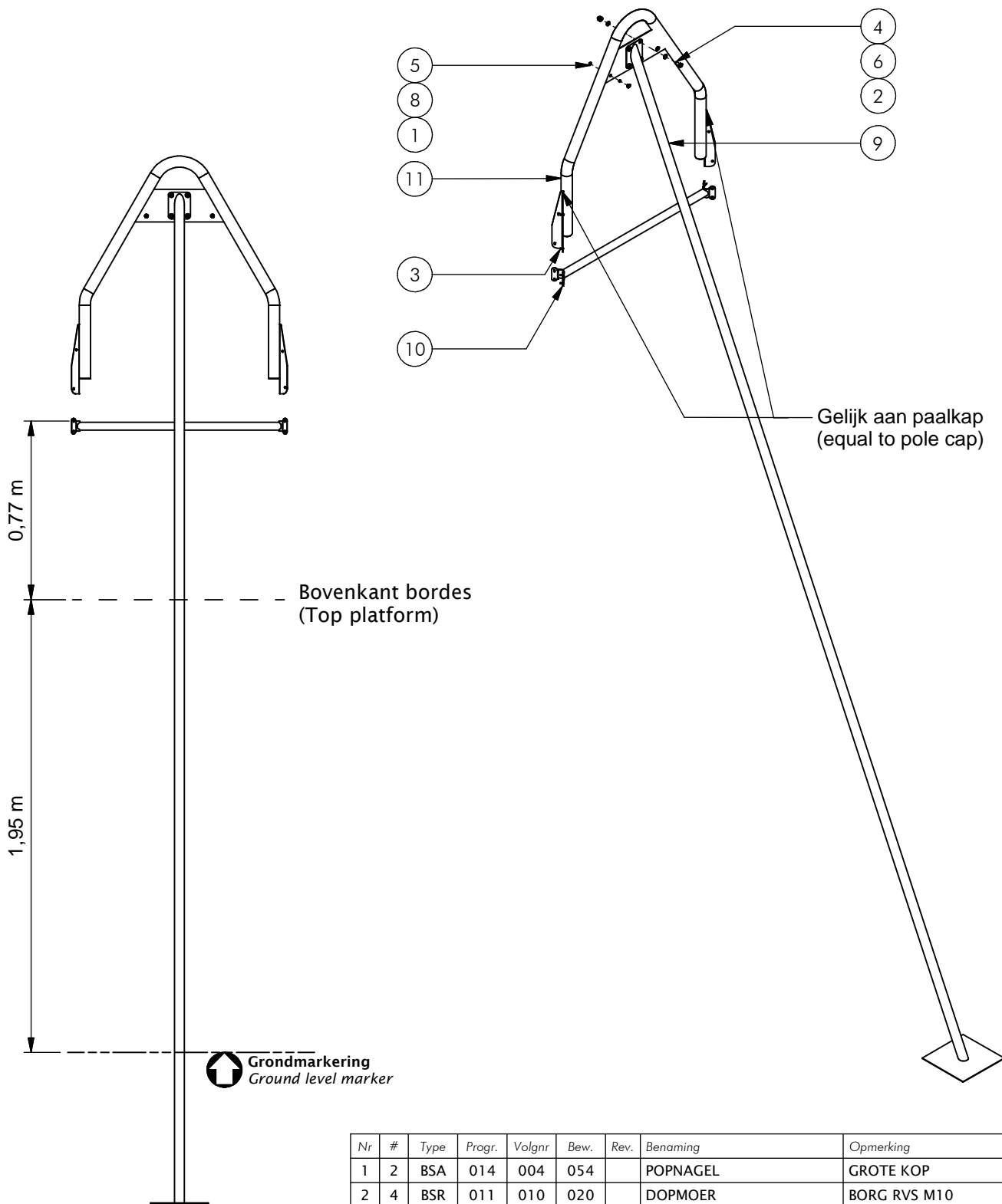
Opmerking
Comment 281 CM

Datum
Date 20-11-2006

Tekening
Drawing

MOD VRB RVS 055

Samenstelling module *Assembly module*



Nr	#	Type	Progr.	Volgnr	Bew.	Rev.	Benaming	Opmerking
1	2	BSA	014	004	054		POPNAGEL	GROTE KOP
2	4	BSR	011	010	020		DOPMOER	BORG RVS M10
3	16	BSR	014	005	050		Klinknagel balkop	4.8 X 12 - RVS A2-70
4	4	BSR	023	010	025		BOLKOP SCHROEF	ISO 7380 - M10 x 25
5	2	BSR	030	005	001		Sluitring	M5 - RVS A2-70
6	8	BSR	030	010	002		SLUITRING	M10
7	4	KST	DOP	006	030		OPVULDOEPE	6 MM ROOD
8	2	KST	RNG	005	003		RING	KUNSTSTOF
9	1	SME	VRB	036	320	C	GLIJPAAL	VLOER 195 CM
10	1	SME	VRB	505	320	D	SYSTEEMBUIS	VRIJBUITER RVS
11	1	SME	VRB	512	320	E	KLIM/GLIJ BEUGEL	RVS



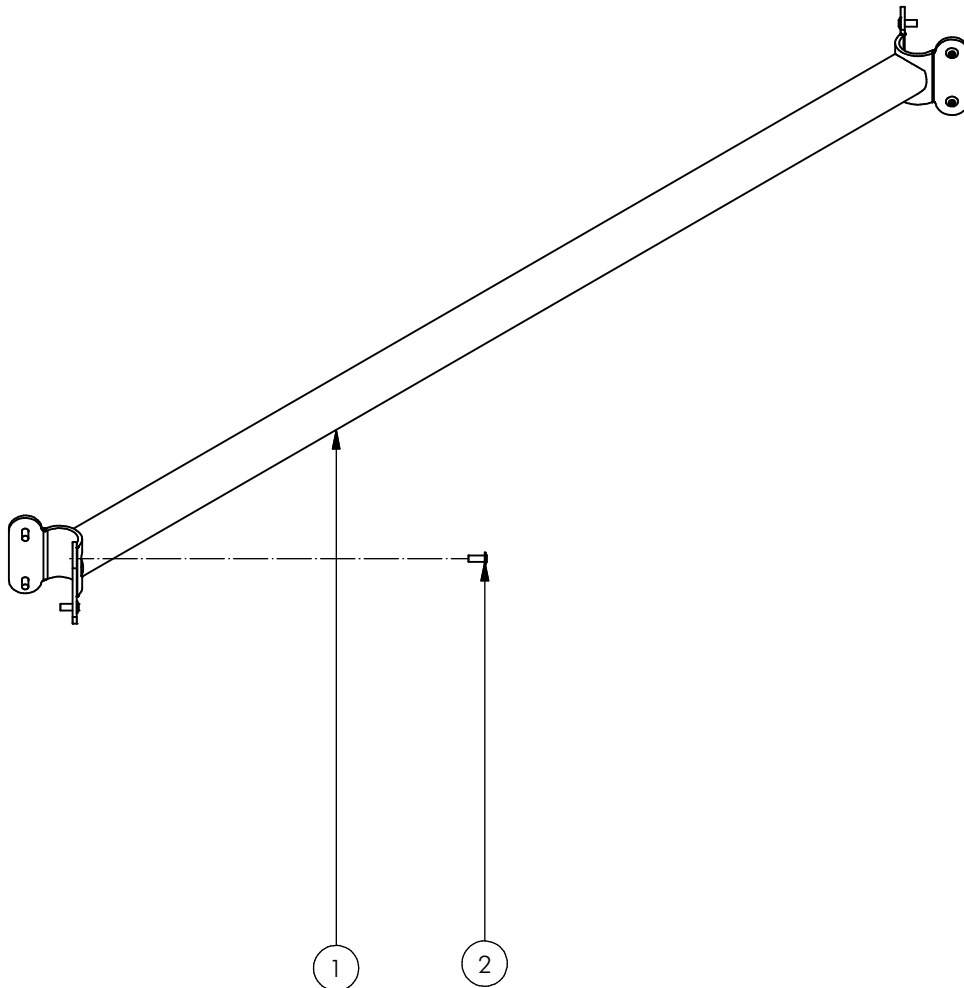
Benaming
Title: GLIJPAAL

Opmerking
Comment: VLOER 195 CM

Datum
Date: 2-12-2016

Tekening
Drawing

MOD VRB RVS 066 A
Samenstelling module Assembly module



Nr	#	Type	Progr.	Volgnr	Bew.	Rev.	Benaming	Opmerking
1	1	SME	VRB	505	320	D	SYSTEEMBUIS	VRJBUITER RVS
2	8	BSR	014	005	050		Klinknagel bolkop	4.8 X 12 - RVS A2-70



Benaming
Title: SYSTEEMBUIS

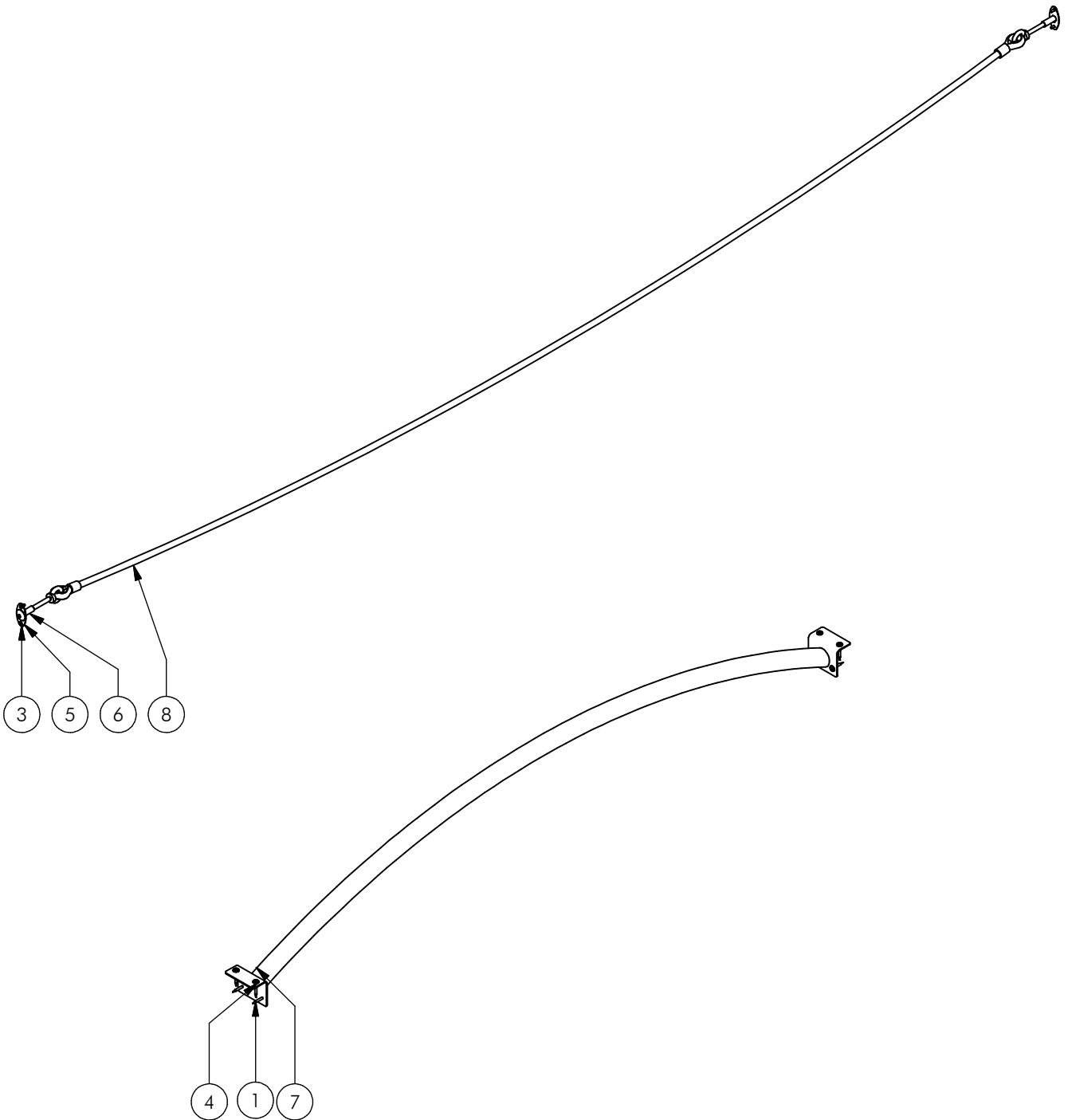
Opmerking
Comment: ENKEL

Datum
Date: 25-9-2006

Tekening
Drawing

MOD VRB RVS 075

Samenstelling module *Assembly module*



Nr	#	Type	Progr.	Volgnr	Bew.	Rev.	Benaming	Opmerking
1	4	BSR	002	005	040		Schroef Assy	5 x 40 - RVS A2-70
2	4	BSR	002	005	050		Schroef Assy	5 x 50 - RVS A2-70
3	4	BSR	014	005	050		Klinknagel balkop	4,8 x 12 - RVS A2-70
4	8	BSR	036	005	015		Facet ring	M5 - RVS A2-70
5	2	OME	VRB	902	320		Borgplaat	Draadbus
6	2	RNT	BUS	M10	040		DRAADBUS	M10 x 40
7	1	SME	VRB	040	320	B	LOOPBUIS	2 M
8	1	SNT	VRB	020	BLW		OVERSTEEKTOUW	VRJIBUITER



Benaming
Title OVERSTEEK

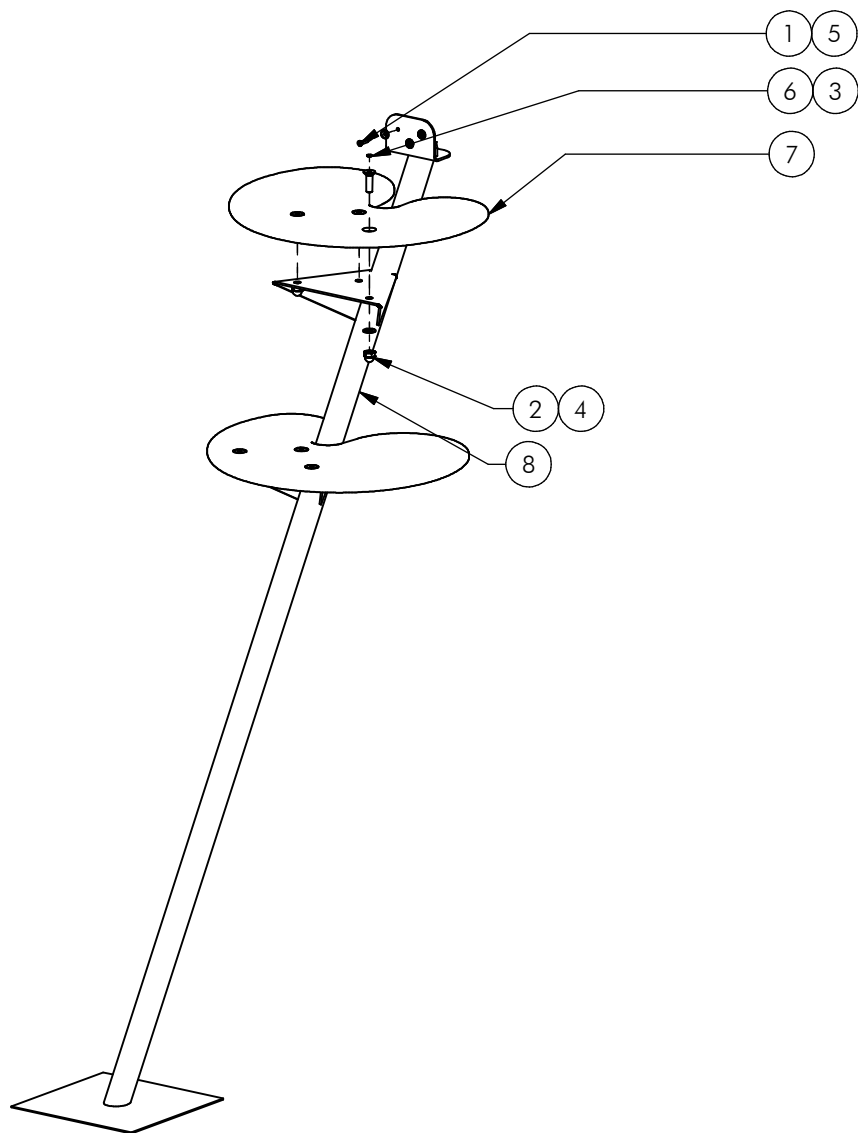
Opmerking
Comment ENKEL TOUW

Datum
Date 25-9-2006

Tekening
Drawing

MOD VRB RVS 077

Samenstelling module Assembly module



Nr	#	Type	Progr.	Volgnr	Bew.	Rev.	Benaming	Opmerking
1	5	BSR	002	005	030		Schroef Assy	5 x 30 - RVS A2-70
2	6	BSR	011	010	020		DOPMOER	BORG RVS M10
3	6	BSR	024	010	035		Verzonken bout	M10 x 35 - RVS A2-70
4	6	BSR	030	010	002		SLUITRING	M10
5	5	BSR	036	005	015		Facet ring	M5 - RVS A2-70
6	6	KST	DOP	006	030		OPVULDOPJE	6 MM ROOD
7	2	OHO	UKP	128	COA	D	Platform	Boomtrap
8	1	SME	UKP	578	320	B	Trapboom 93cm	Ukkepuk



Benaming Title Boomtrap
 Opmerking Comment Vrijbuiters 93 cm
 Datum Date 1-11-2007

Tekening Drawing

MOD VRB RVS 169

Samenstelling module Assembly module