



# Toddler Play

## UKPE064.05H

Combination equipment



# UKPE064.05H

Combination equipment



1+



1 - 6



4.0 x 2.8 x 2.7 m



5.5 x 3.8 m



6.8 x 5.8 m



1.0 m

## Playfunctions

Education, balancing, sliding, climbing equipment, climbing

## Material

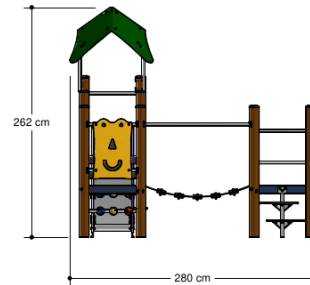
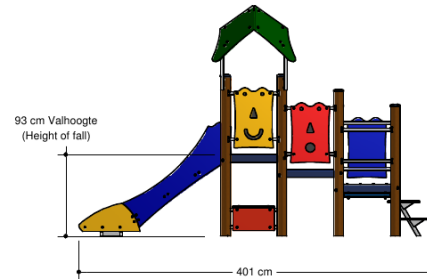
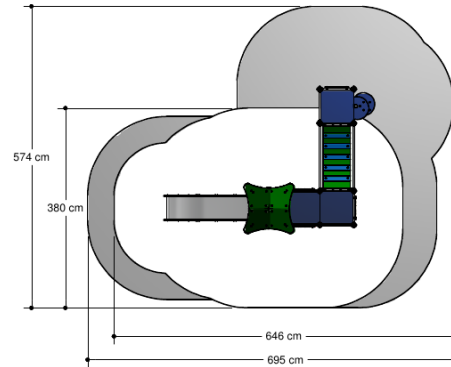
The posts are made of a FSC hardwood with a durability class of 1-2 according to EN 350. The top is covered with a hood. Floors, (climbing) walls and roofs are made of a quality colored HPL laminate. All steel parts are stainless steel. Connections consist of stainless steel and, where necessary, covered with a plastic cap.

## Anchorage

The posts go to a depth of 50 cm into the ground with at the bottom a steel plate to increase the support. Concrete is not required.

## Comments

If the soil does not contribute to the stability it may be necessary to add concrete.



## Opvangzone

Impact area

WAS, Dutch law

EN1176

## Obstakelvrije zone

Obstacle free zone

WAS, Dutch law

EN1176

