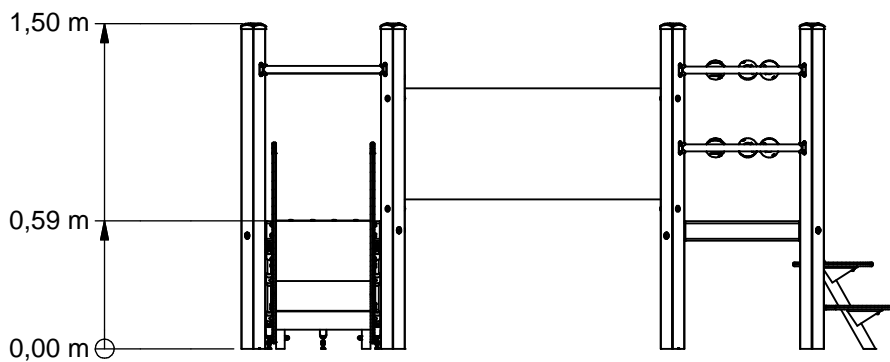
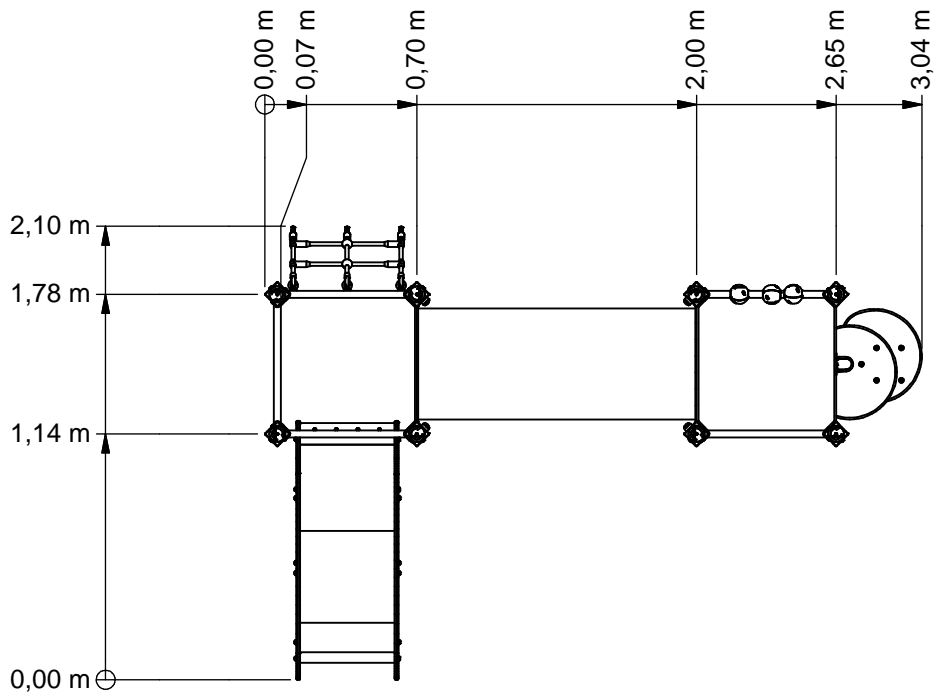




# Combination equipment



UKPE043.02H



Benaming  
Title Ukkepuk

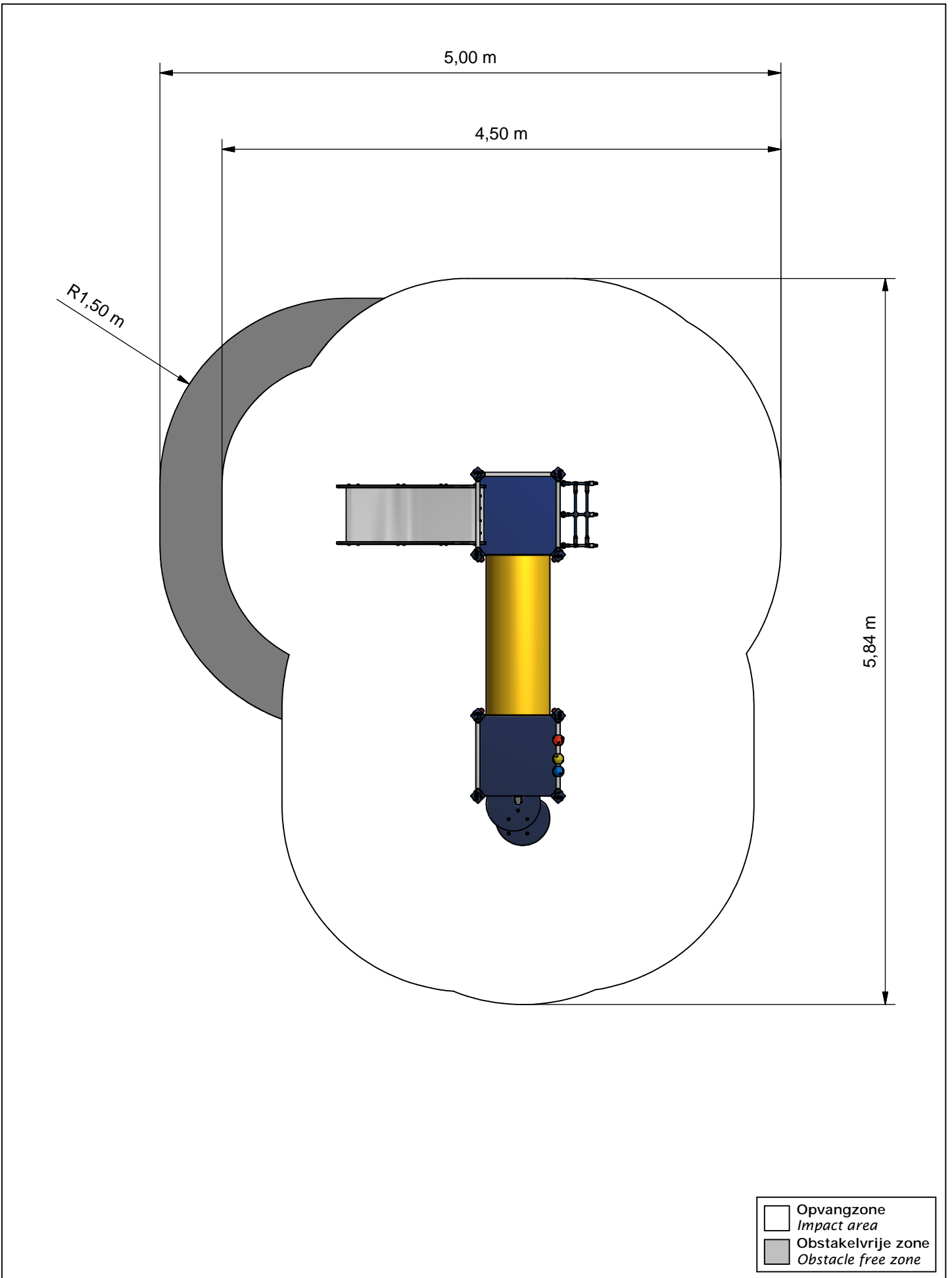
Opmerking  
Comment Hardhout

Datum  
Date 25-3-2014

Tekening  
Drawing

TOE UKP 043 02H B

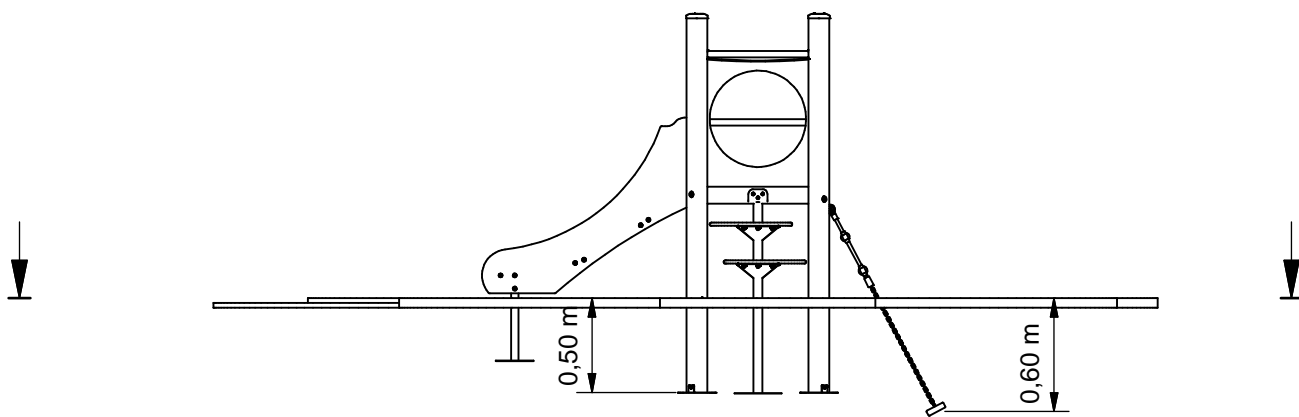
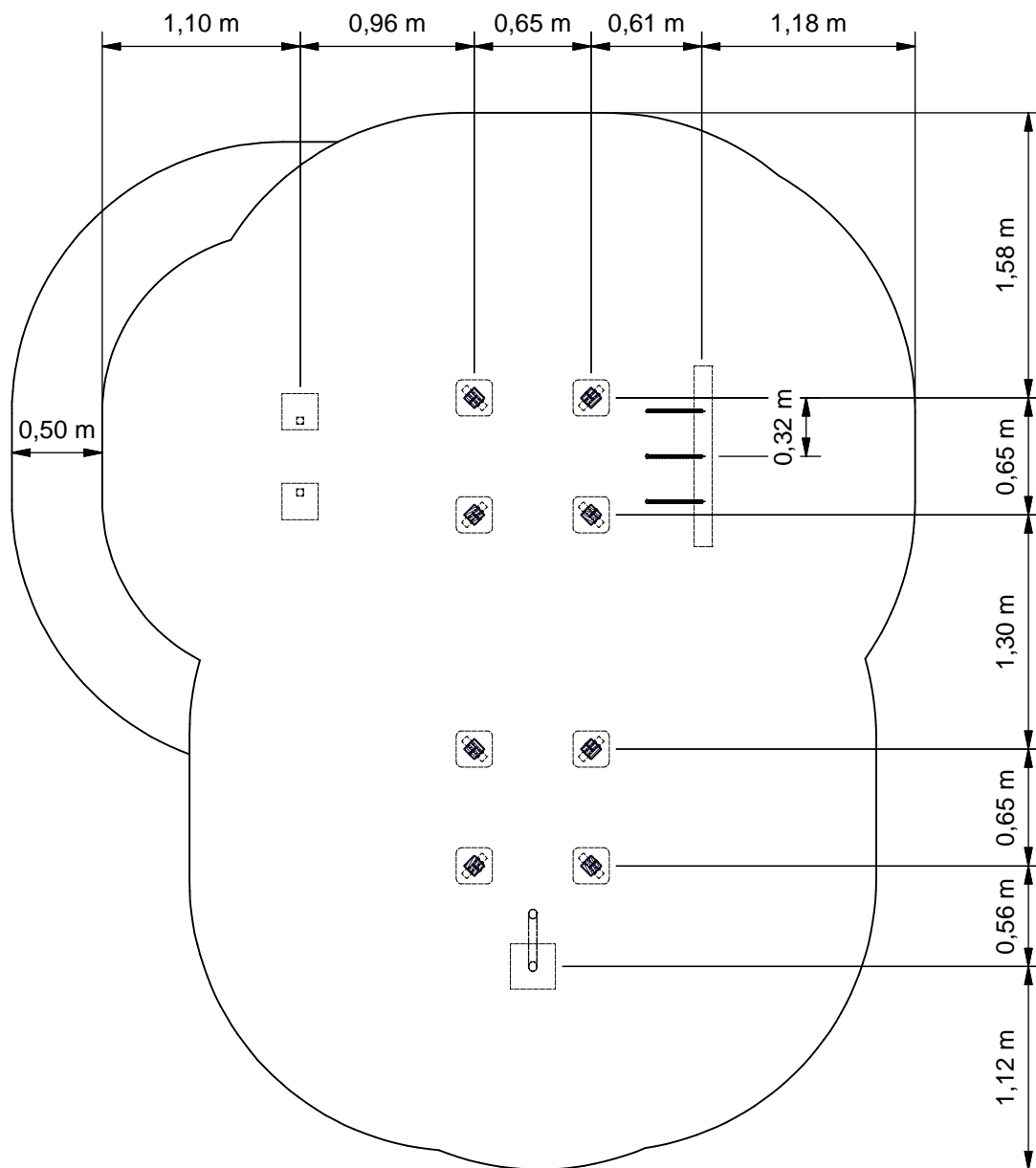
Afmetingen Dimensions



Benaming / Title: Ukkepuk  
 Opmerking / Comment: Hardhout  
 Datum / Date: 25-3-2014

Tekening / Drawing

**TOE UKP 043 02H B**  
 Obstakelvrije zone *Obstacle free zone*



Benaming  
Title Ukkepuk

Opmerking  
Comment Hardhout

Datum  
Date 25-3-2014

Tekening  
Drawing

TOE UKP 043 02H B

Bodemplan Groundplan

**Geleverde modules:**

Zie tabel

**Supplied modules:**

See table

**Montageinstructie:**

- De hoofdmaten geven de maten van de staanders en vloeren aan
- De detailtekeningen geven specifiek de maten van de verbindingen aan
- De modules met buizen zijn op de tekeningen bemaat op bovenkant kopplaat
- Overige modules zijn bemaat op de bovenkant (klimwanden, paalkoppen, etc.)

**Assembly instruction:**

- The main dimensions indicate the dimensions of the posts and floors
- The detailed dimensions show the specific dimensions of the connections
- The modules which contain tubes are dimensioned at the top of the flanges
- Other modules are dimensioned at the top (climbing walls, caps for the posts, etc.)

**Montagevolgorde:**

- 1 - Graaf de gaten volgens het bodemplan
- 2 - Assembleer toren 1,2
- 3 - Plaats toren
- 4 - Plaats 1,2,3 en verbind deze aan toren met 5
- 5 - Plaats 4,6,7 en verbind deze aan toren
- 6 - Controleer of het toestel voldoet aan de afmetingen zoals op blad 'afmetingen'
- 7 - Dicht de gaten en verdicht het zand

**Installation sequence:**

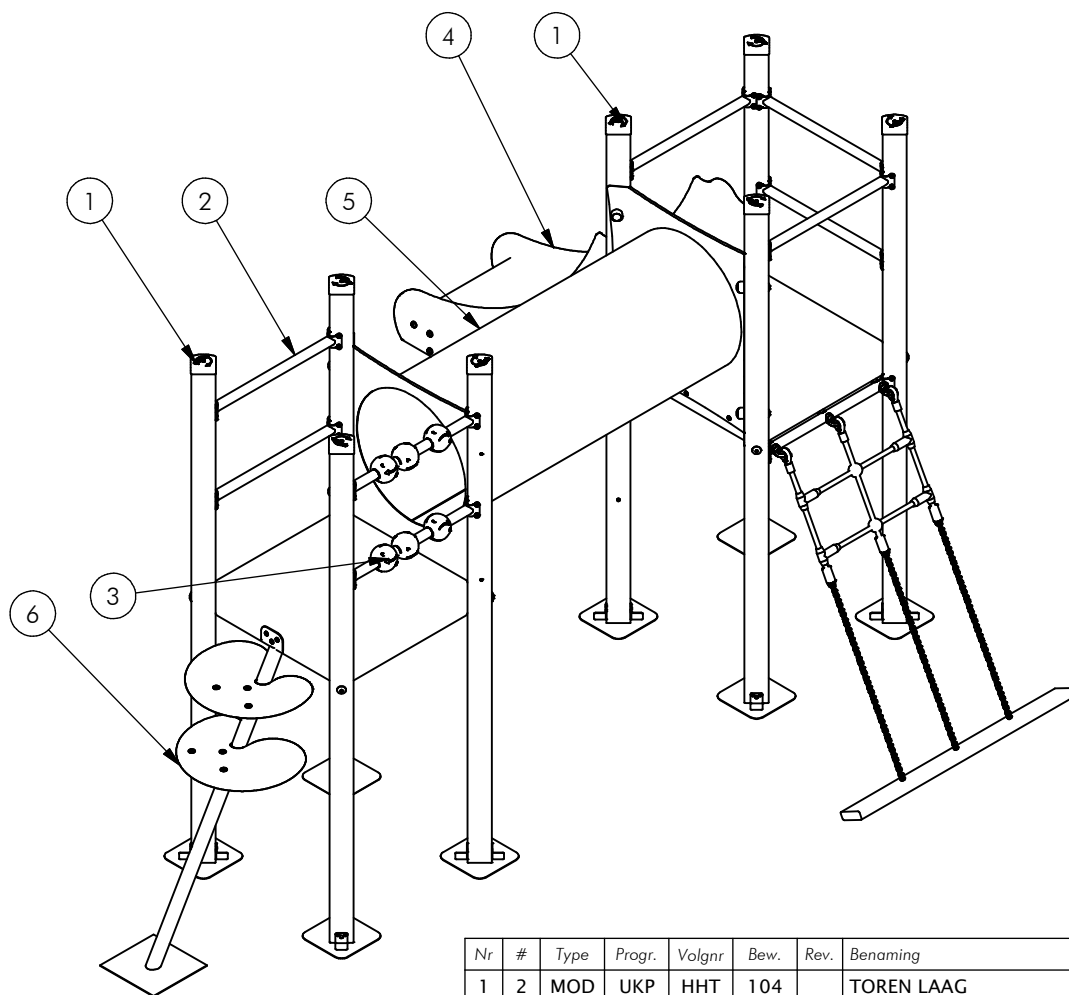
- 1 - Dig the holes according to the ground plan
- 2 - Assemble tower 1,2
- 3 - Place tower
- 4 - Place 1,2,3 and attach it to tower using 5
- 5 - Place 4,6,7 and attach it to tower
- 6 - Check that the unit conforms to the dimensions on sheet 'dimensions'
- 7 - Close the holes and compacted the sand

**Controles:**

- 1 - Correcte opbouw en alle bevestigingsmiddelen
- 2 - Controleer de afmetingen van de valbodem t.o.v. het toestel

**Checks:**

- 1 - Correct assembly and all the fasteners
- 2 - Check the dimensions of the safety area with regard to the play equipment



Nr	#	Type	Progr.	Volgnr	Bew.	Rev.	Benaming	Opmerking
1	2	MOD	UKP	HHT	104		TOREN LAAG	UKKEPUK
2	2	MOD	UKP	HHT	131		SYSTEEMBUIS DUBBEL	UKKEPUK
3	1	MOD	UKP	HHT	135		TELBOL DUBBEL	UKKEPUK
4	1	MOD	UKP	HHT	152	A	GLIJBAAN	UKKEPUK
5	1	MOD	UKP	HHT	159		Kruipbuis	Ukkepek
6	1	MOD	UKP	HHT	168		Boormtrap	Ukkepek
7	1	MOD	UKP	HHT	172	A	Oploopnet 600	Ukkepek



Benaming  
Title Ukkepek

Opmerking  
Comment Hardhout

Datum  
Date 25-3-2014

Tekening  
Drawing

TOE UKP 043 02H B

Modules Modules

# UKPE043.02H

Combination equipment

## LOGBOOK

(Onderstaand logboek kan gebruikt worden om te voldoen aan de eisen, gesteld in artikel 14 van het Warenwetbesluit Attractie- en Speeltoestellen)

Type indication	Toddler Play
Product code	UKPE043.02H
Name of equipment	Ukkepuk Klimklautertoestel
Maximum height of fall	0,6 m
Year of construction	2017
Certificate	09200116218
inspection authority	Liftinstituut B.V. Buikslotermeerplein 381, A'dam - 1025 XE Amsterdam
Name manufacturer	BOERplay Hyacintstraat 2 - 4255 HX Nieuwendijk Phone: +31 (0)183 40 23 66 Fax: +31 (0)183 40 35 64
name installer	_____ _____
Description of equipment	Combination equipment
Location of equipment	_____
Data about the owner of the play equipment	
Name:	_____
Address:	_____
Postcode and town:	_____
Contact person:	_____
Telephone number:	_____
Data about the administrator of the play equipment	
Name:	_____
Address:	_____
Postcode and town:	_____
Contact person:	_____
Telephone number:	_____

# LOGBOOK

## Inspection and maintenance intervals



Nr.	Inspection	Maintenance	months between inspections
1	Verify equipment's stability, junctions and missing parts. Inspect bolts, screws and nuts for absence, jams, corrosion and wear.	Add missing parts, secure joints, apply missing fixing agent and replace corroded parts.	1
2	Check suspension for wear.	Replace worn parts and/or remove non-functioning parts.	1
3	Inspect rotating parts such as hinges, rolling-element bearings, etc. for wear and acceptability.	Replace worn parts and/or remove non-functioning parts.	1
4	Check wood for splinters, unacceptable damage and signs of rot. Especially at ground level.	Repair damage. Replace affected wood. Smoothen splintered wood and sharp edges.	1
5	Inspect foundation for stability, tearing and coverage.	Restore foundation and covering material.	3
6	Examine rubber and synthetic parts for wear, damage and break.	Replace original parts.	3
7	Inspect metal for corrosion and damage in the coating.	Restore any damaged coating (after removing rust and applying primer).	6
8	Check ropes, cables, chains and nets for wear and damage. Steel cables and nets which are tensioned must be checked for tension.	Replace parts where necessary. Steel cables and nets must be tensioned.	3
9	Inspect equipment for unsafe changes and additions.	Remove unsafe additions and correct unsafe changes.	1
10	Inspect safety surfaces.	Restore and repair where necessary.	1

## Remarks

1. If used intensively, all points require extra attention.
2. Extreme weather conditions and locations may require a higher inspection frequency. Discuss this with the supplier.
3. Vandalism-sensitive locations require stricter inspections, possibly daily.
4. Check the terrain regularly for items that do not belong there, are unsafe or may be used wrongly. Examples are poisonous plants, glass shards, etc. Frequency depends on strain.
5. Remember that bad maintenance leads to unsafe conditions and notably faster impoverishment of the playground area.
6. Replacement parts can be ordered at the manufacturer with the part numbers on the module drawing. Drawings can be found in de user guide.
7. The impact area shall be provided with impact attenuating surface according to the specified falling height.
8. This list is conform the CEN-standard "playground equipment and surfacing NEN-EN 1176-7".



# TYPE-EXAMINATION CERTIFICATE

Acting under the " Warenwetbesluit Attractie- en Speeltoestellen" issued by Liftinstituut B.V.  
commissioned by departmental order, no. VGP/PSL 2857566 from 27 Juni 2008.

Certificate nr. : NL 09-2001-162-18 Revision nr.: 200116218

Description of the product : Playground equipment, Ukkepek

Trademark, type : Speelwijzer, UKP.....

Name and address of the manufacturer : Speelwijzer  
Nijverheidsstraat 8  
5317 NL Nederhemert Noord

Name and address of the certificate holder : Speelwijzer  
Nijverheidsstraat 8  
5317 NL Nederhemert Noord

Certificate issued on the basis of the following requirements : Warenwetbesluit Attractie- en Speeltoestellen

Test laboratory : None

Date and number of the laboratory report : None

Date of type-examination : 01-09-2001 t/m 03-09-2001, 21-02-2009

Annexes with this certificate : Report belonging to the type-examination certificate  
nr.: NL 09-2001-162-18

Additional remarks : This certificate supersedes type certificate dated April 27<sup>th</sup> 2005,  
with certificate number NL 09-2001-162-18

Conclusion : The playground equipment meets the requirements of the above  
specified European standard(s) and "Warenwetbesluit Attractie-  
en Speeltoestellen" taking into account any additional remarks  
mentioned above.

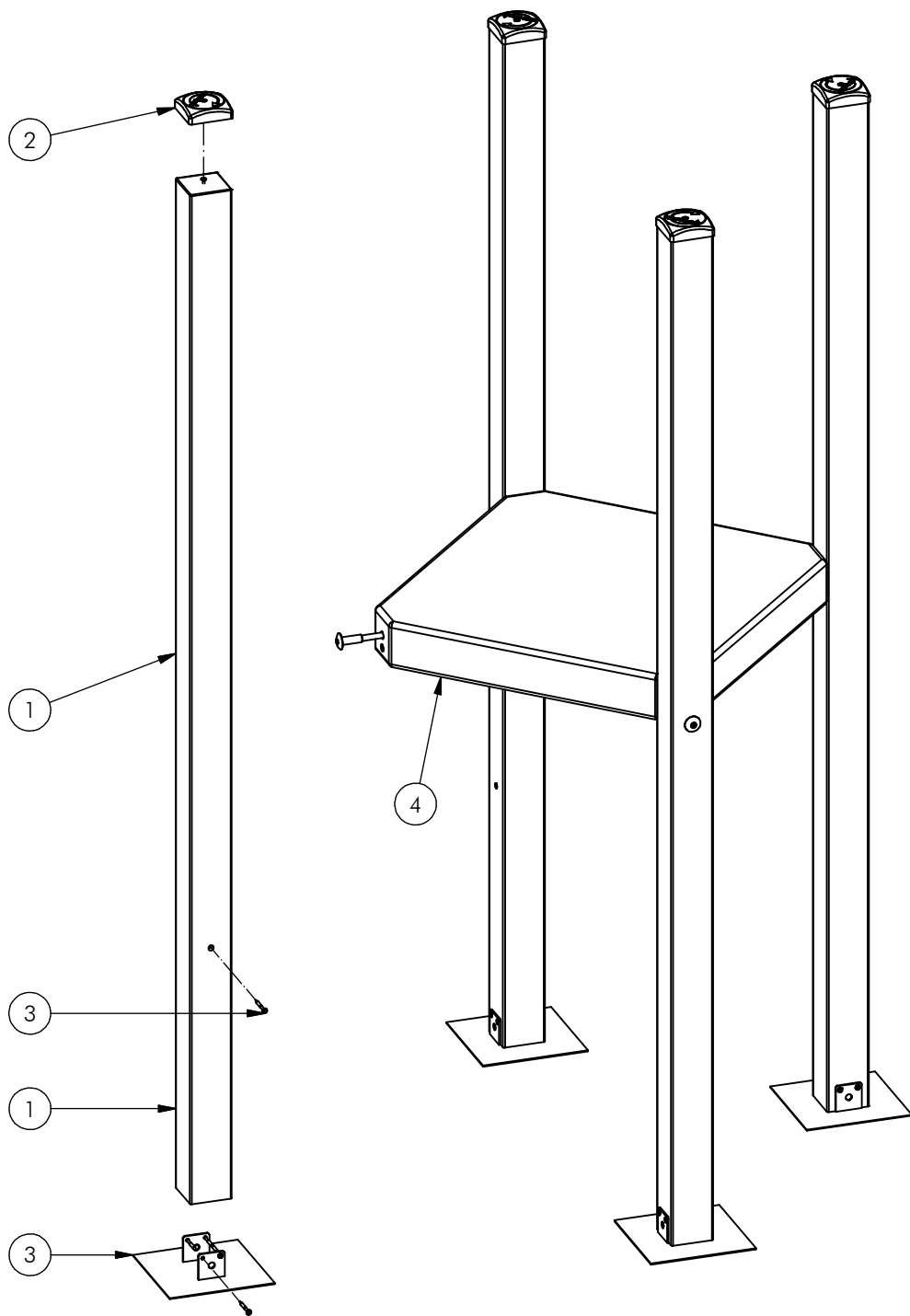
Issued in Amsterdam

Date of issue : April 7<sup>th</sup>, 2009



Ir. V.M.A. Barendregt  
Senior Officer Certification &  
Technology  
Liftinstituut B.V.





Nr	#	Type	Progr.	Volgnr	Bew.	Rev.	Benaming	Opmerking
1	4	OHO	080	012	HHT		Staander HHT	80x80, lengte=1990
2	4	SMD	UKP	HHT	104		PAALKAP	UKKEPUK
3	4	SMD	UKP	HHT	103		ANKER PLAAT	UKKEPUK
4	1	SMD	UKP	HHT	100		VLOER VIERKANT	UKKEPUK



Benaming  
Title | TOREN LAAG

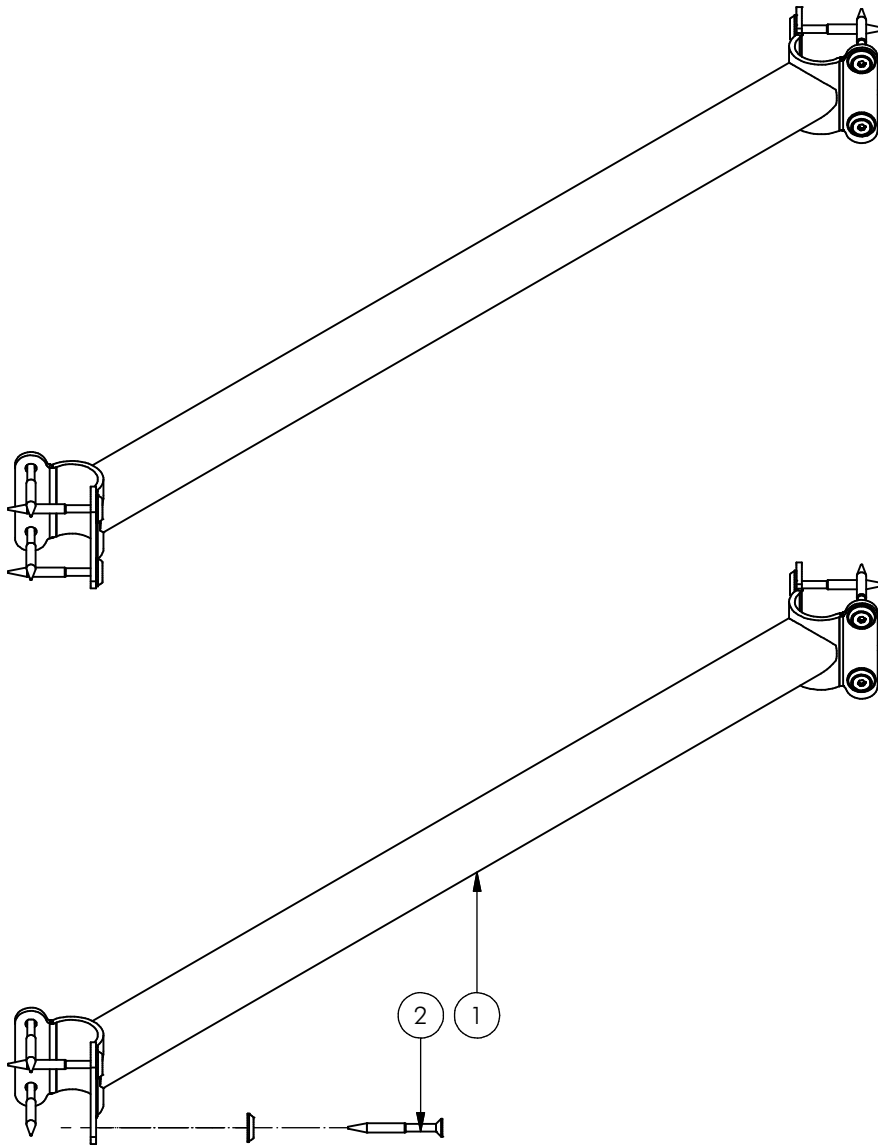
Opmerking  
Comment | UKKEPUK

Datum  
Date | 16-1-2007

Tekening  
Drawing

# MOD UKP HHT 104

Samenstelling module Assembly module



2	4	SMD	UKP	HHT	105		BEVESTIGING VLINDER	UKKEPUK HHT
1	2	SME	UKP	500	320	A	SYSTEEMBUIS	UKKEPUK
POS	N	TYPE	PROJ.	NR.	BEH.	R	BENAMING	OPMERKING



Benaming  
Title SYSTEEMBUIS DUBBEL

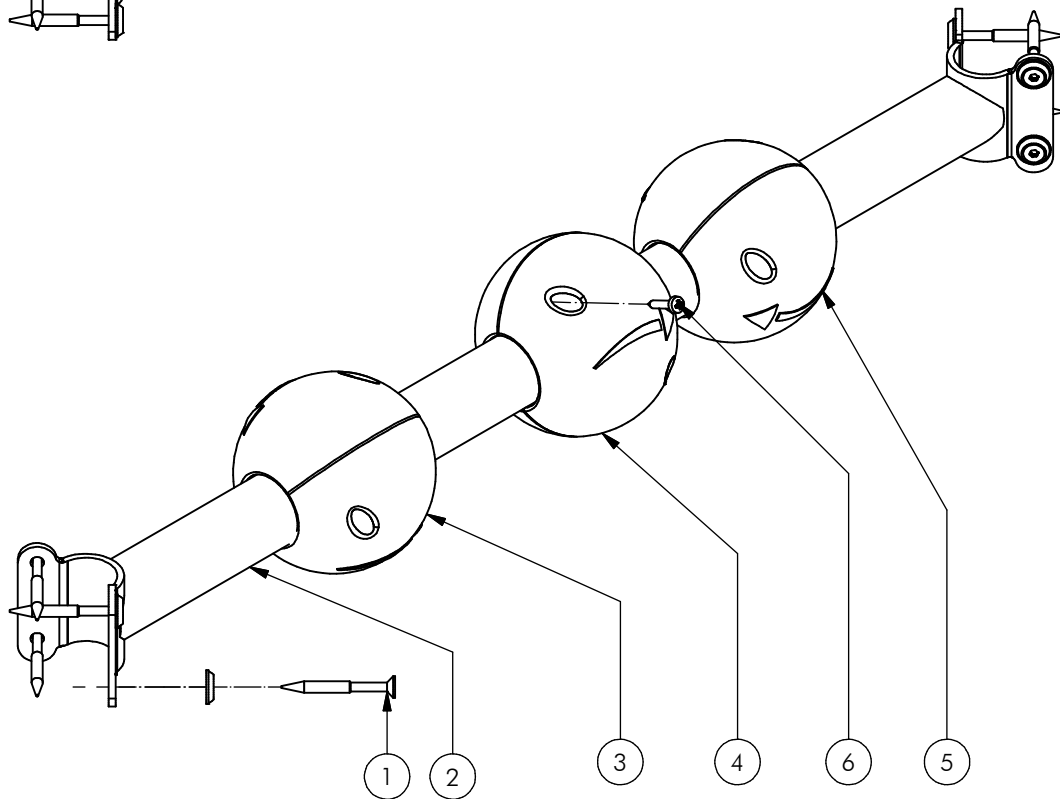
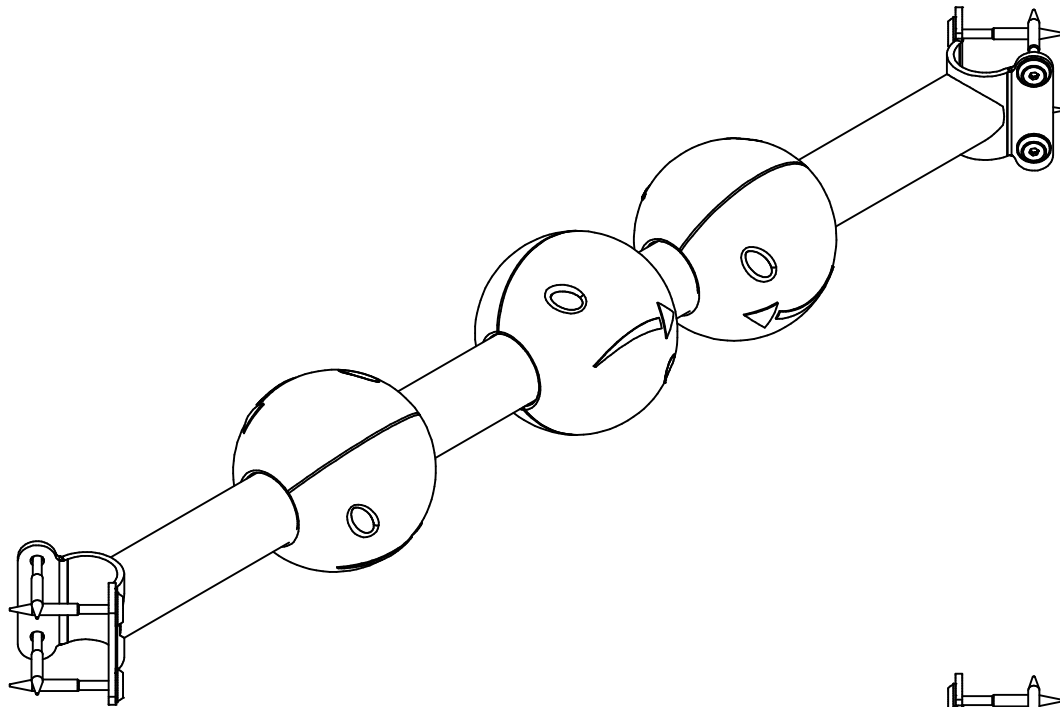
Opmerking  
Comment UKKEPUK

Datum  
Date 19-1-2007

Tekening  
Drawing

# MOD UKP HHT 131

Samenstelling module *Assembly module*



6	24	BSR	005	004	019		Zelfborende PIAS schoef	3,5 x 19
5	4	KST	BOL	036	050		Telbol helft	Blauw
4	4	KST	BOL	036	010		Telbol helft	Geel
3	4	KST	BOL	036	030		Telbol helft	Rood
2	2	SME	UKP	500	320	A	SYSTEMBUIS	UKKEPUK
1	4	SMD	UKP	HHT	105		BEVESTIGING VLINDER	UKKEPUK HHT
POS	N	TYPE	PROJ.	NR.	BEH.	R	BENAMING	OPMERKING



Benaming  
Title TELBOL DUBBEL

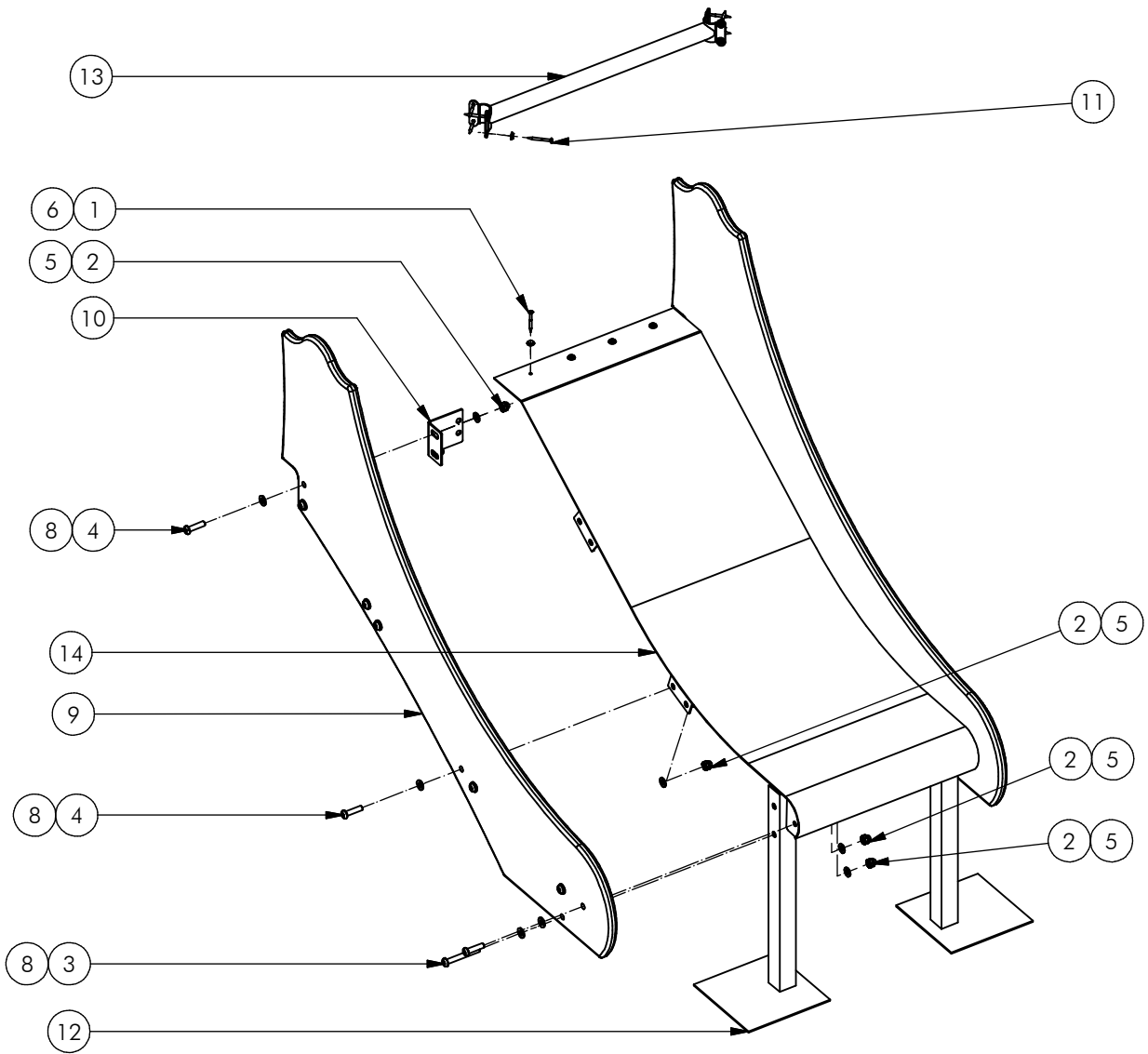
Opmerking  
Comment UKKEPUK

Datum  
Date 19-1-2007

Tekening  
Drawing

# MOD UKP HHT 135

Samenstelling module *Assembly module*



14	1	SME	UKP	550	320	B	Glijbaan	Ukkepuk
13	1	SME	UKP	500	320	A	SYSTEEMBUIS	UKKEPUK
12	2	SME	UKP	024	372	A	Steunpoot Glijbaan	Ukkepuk
11	2	SMD	UKP	HHT	105		BEVESTIGING VLINDER	UKKEPUK HHT
10	2	OME	UKP	577	304		Bevestigingshoek	Glijbaan Ukkepuk
9	2	OPE	UKP	030	050	B	Zijkant Glijbaan	Ukkepuk
8	18	KST	ROR	010	000		RING NYLON	M10 x 2.5 MM
7	18	KST	DOP	006	030		OPVULDOPJE	6 MM ROOD
6	4	BSR	036	005	015		Facet ring	M5 - RVS A2-70
5	18	BSR	030	010	002		SLUITRING	M10
4	14	BSR	023	010	040		Bolkopbout ISO 7380	M10 x 40 - RVS A2-70
3	4	BSR	023	010	080		Bolkopbout ISO 7380	M10 x 80 - RVS A2-70
2	18	BSR	011	010	020		DOPMOER	BORG RVS M10
1	4	BSR	002	005	050		SCHROEF	5 x 50
POS	N	TYPE	PROJ.	NR.	BEH.	R	BENAMING	OPMERKING



Benaming  
Title

Opmerking  
Comment

Datum  
Date

GLIJBAAN

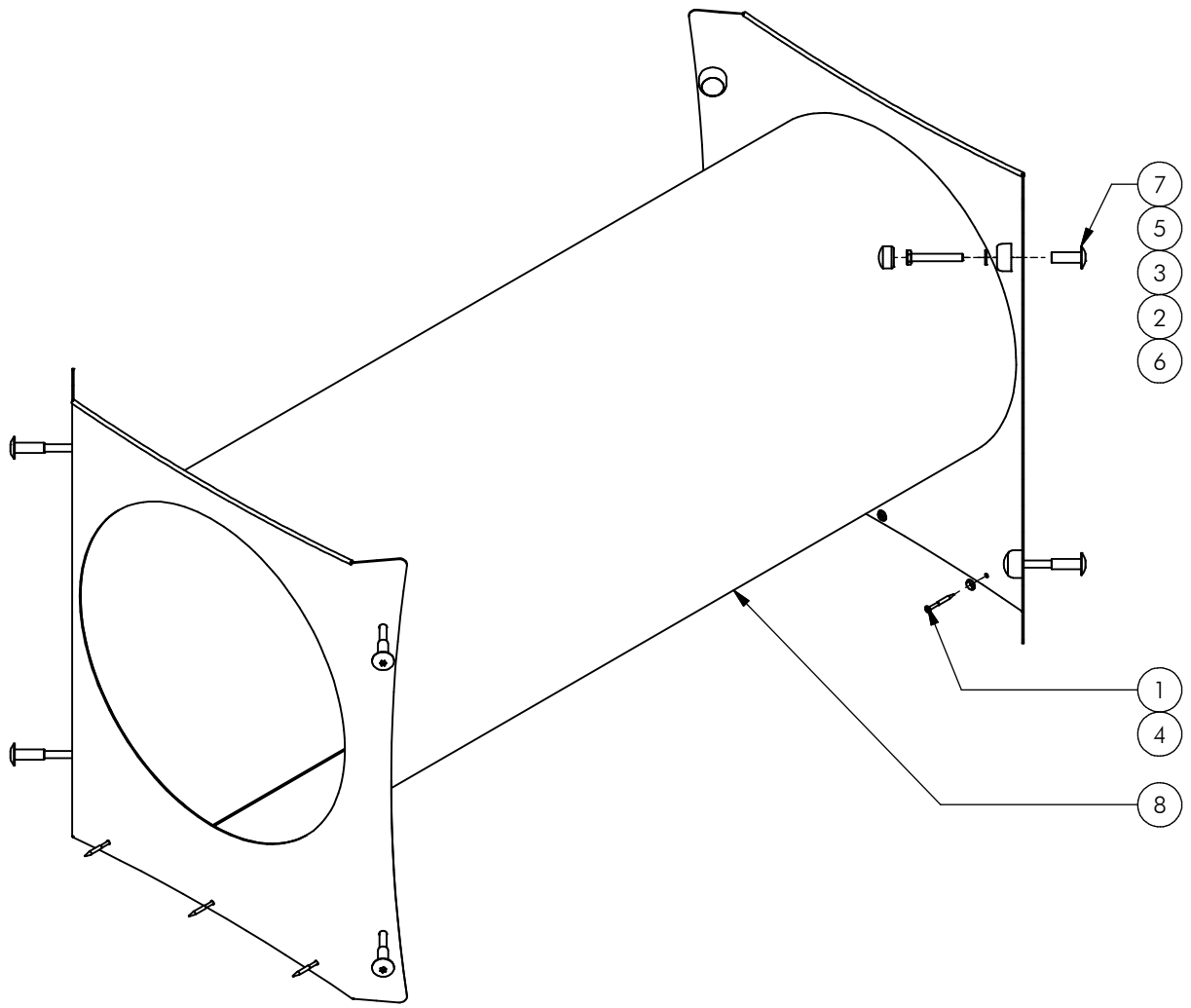
UKKEPUK

6-12-2013

Tekening  
Drawing

**MOD UKP HHT 152 A**

Samenstelling module *Assembly module*



Nr	#	Type	Progr.	Volgnr	Bew.	Rev.	Benaming	Opmerking
1	6	BSR	002	005	050		Schroef Assy	5 x 50 - RVS A2-70
2	8	BSR	021	010	070		Zeskantbout	M10 x 70 - RVS A2-70
3	8	BSR	030	010	002		SLUITRING	M10
4	6	BSR	036	005	015		Facet ring	M5 - RVS A2-70
5	8	KST	DON	010	030		Bescherm dop M10-M12	Donut Rood
6	8	KST	DOP	010	030		Bescherm dop M10-M12	Dop rood
7	8	RNT	BUS	M10	040		DRAADBUS	M10 x 40
8	1	SME	UKP	587	372		Kruipbuis	Ukkepek



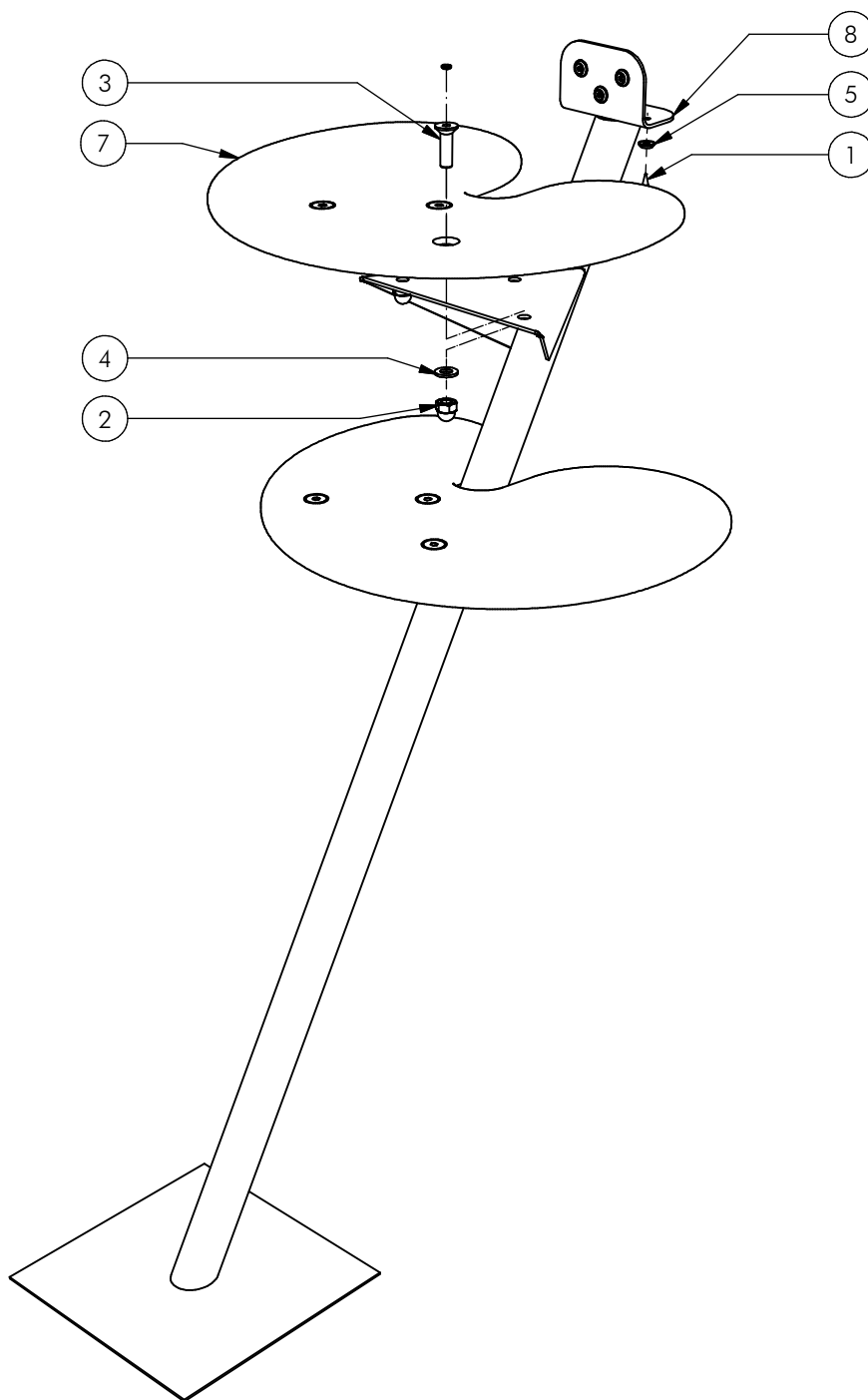
Benaming Title: Kruipbuis  
 Opmerking Comment: Ukkepek  
 Datum Date: 1-4-2009

Tekening Drawing

# MOD UKP HHT 159

Samenstelling module Assembly module





Nr	#	Type	Progr.	Volgnr	Bew.	Rev.	Benaming	Opmerking
1	5	BSR	002	005	030		Schroef Assy	5 x 30 - RVS A2-70
2	6	BSR	011	010	020		DOPMOER	BORG RVS M10
3	6	BSR	024	010	035		Verzonken bout	M10 x 35 - RVS A2-70
4	6	BSR	030	010	002		SLUITRING	M10
5	5	BSR	036	005	015		Facet ring	M5 - RVS A2-70
6	6	KST	DOP	006	030		OPVULDOPJE	6 MM ROOD
7	2	OHO	UKP	128	COA	D	Platform	Boomtrap
8	1	SME	UKP	577	320	C	Trapboom	Ukkepuk

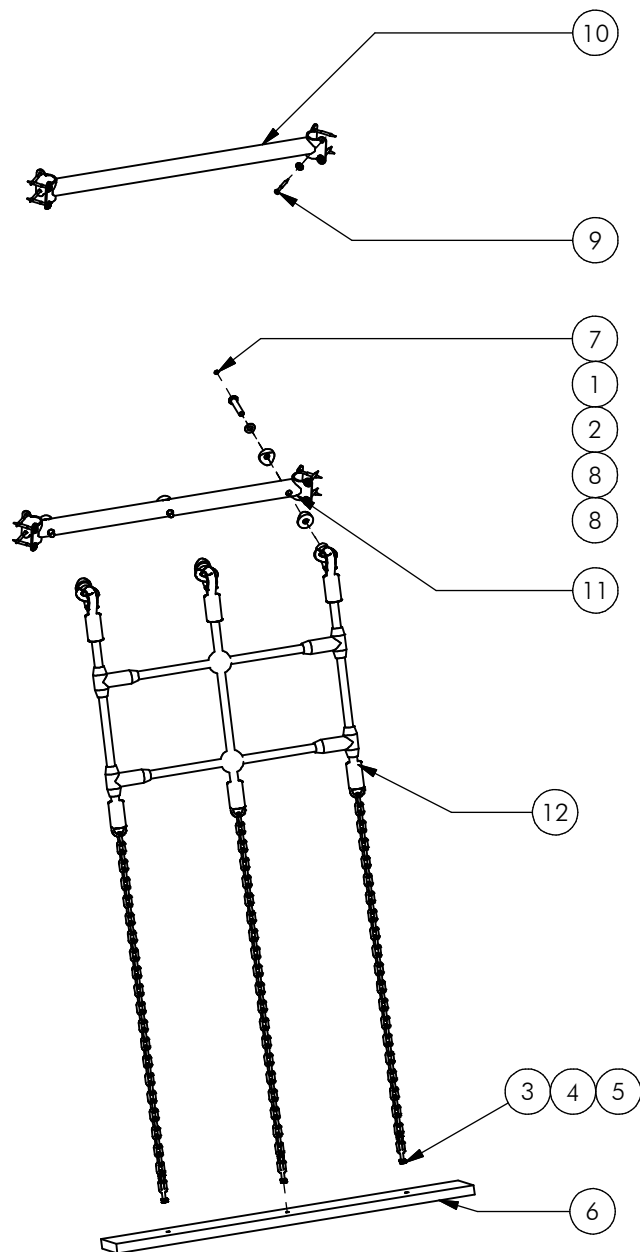


Benaming Title Boormtrap  
 Opmerking Comment Ukkepuk  
 Datum Date 2-10-2007

Tekening Drawing

# MOD UKP HHT 168

Samenstelling module Assembly module



Nr	#	Type	Progr.	Volgnr	Bew.	Rev.	Benaming	Opmerking
1	3	BSR	023	010	050		Bolkopbout ISO 7380	M10 x 50 - RVS A2-70
2	3	BSR	030	010	002		Sluitring	M10 - RVS A2-70
3	3	BSV	017	006	005		Zeskantmoer	M6 - VZ 8.8
4	3	BSV	021	006	050		Zeskantbout ISO 4014	M6 x 50 - VZ 8.8
5	6	BSV	030	006	002		Sluitring	M6 - VZ 8.8
6	1	KST	APL	075			Ankerplaat	750x100x19
7	3	KST	DOP	006	030		OPVULDOEJE	6 MM ROOD
8	6	KST	T33	010	000		ZADELRING	BUIS 33.7
9	4	SMD	UKP	HHT	105		BEVESTIGING VLINDER	UKKEPUK HHT
10	1	SME	UKP	500	320	A	SYSTEEMBUIS	UKKEPUK
11	1	SME	UKP	579	320		SYSTEEMBUIS 3 GATEN	UKKEPUK
12	1	SNT	UKP	008	BLW	A	OPLOOPNET 600	Ukkepek



Benaming  
Title Oploopnet 600

Opmerking  
Comment Ukkepek

Datum  
Date 11-10-2007

Tekening  
Drawing

**MOD UKP HHT 172 A**  
Samenstelling module Assembly module