



Nature Play

VRBE080.018

Combination equipment



VRBE080.018

Combination equipment



1+



4 - 12



3.7 x 3.6 x 2.8 m



6.3 x 6.2 m



6.7 x 6.6 m



1.3 m

Playfunctions

Sliding, climbing equipment, climbing, climbing wall

Material

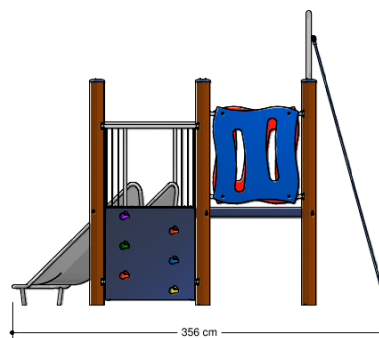
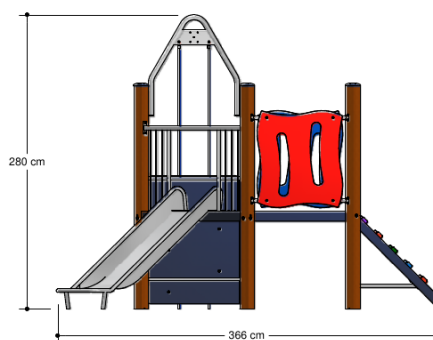
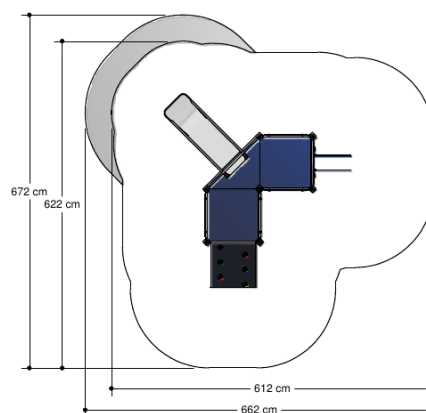
The posts are made of a FSC hardwood with a durability class of 1-2 according to EN 350. The top is covered with a hood. Floors, (climbing) walls and roofs are made of a quality colored HPL laminate. All steel parts are stainless steel. Connections consist of stainless steel and, where necessary, covered with a plastic cap. The ropes are made of 16 mm vandal proof Hercules rope.

Anchorage

The posts go to a depth of 60 cm in the ground with at the bottom a steel plate to increase the support. Concrete is not required.

Comments

If the soil does not contribute to the stability it may be necessary to add concrete.



Opvangzone

Impact area

 WAS, Dutch law

 EN1176

Obstakelvrije zone

Obstacle free zone

 WAS, Dutch law

 EN1176

