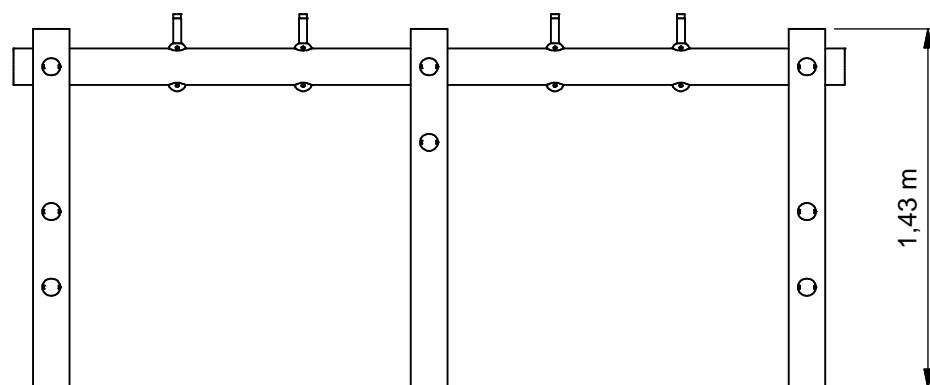
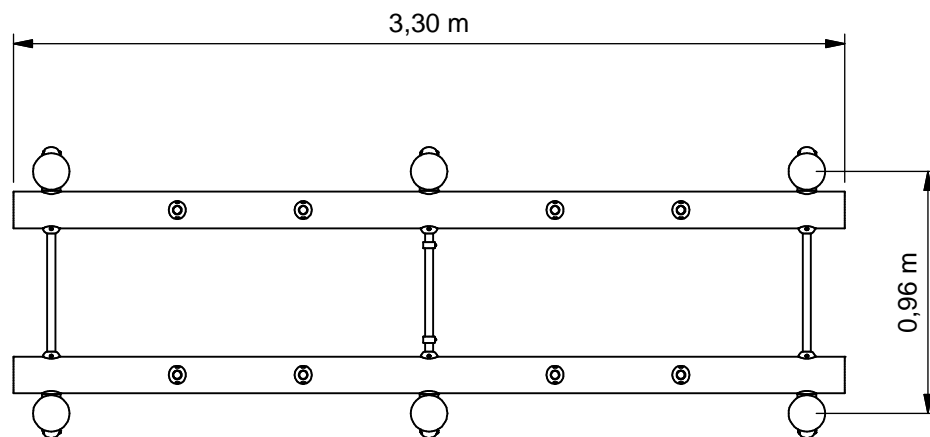


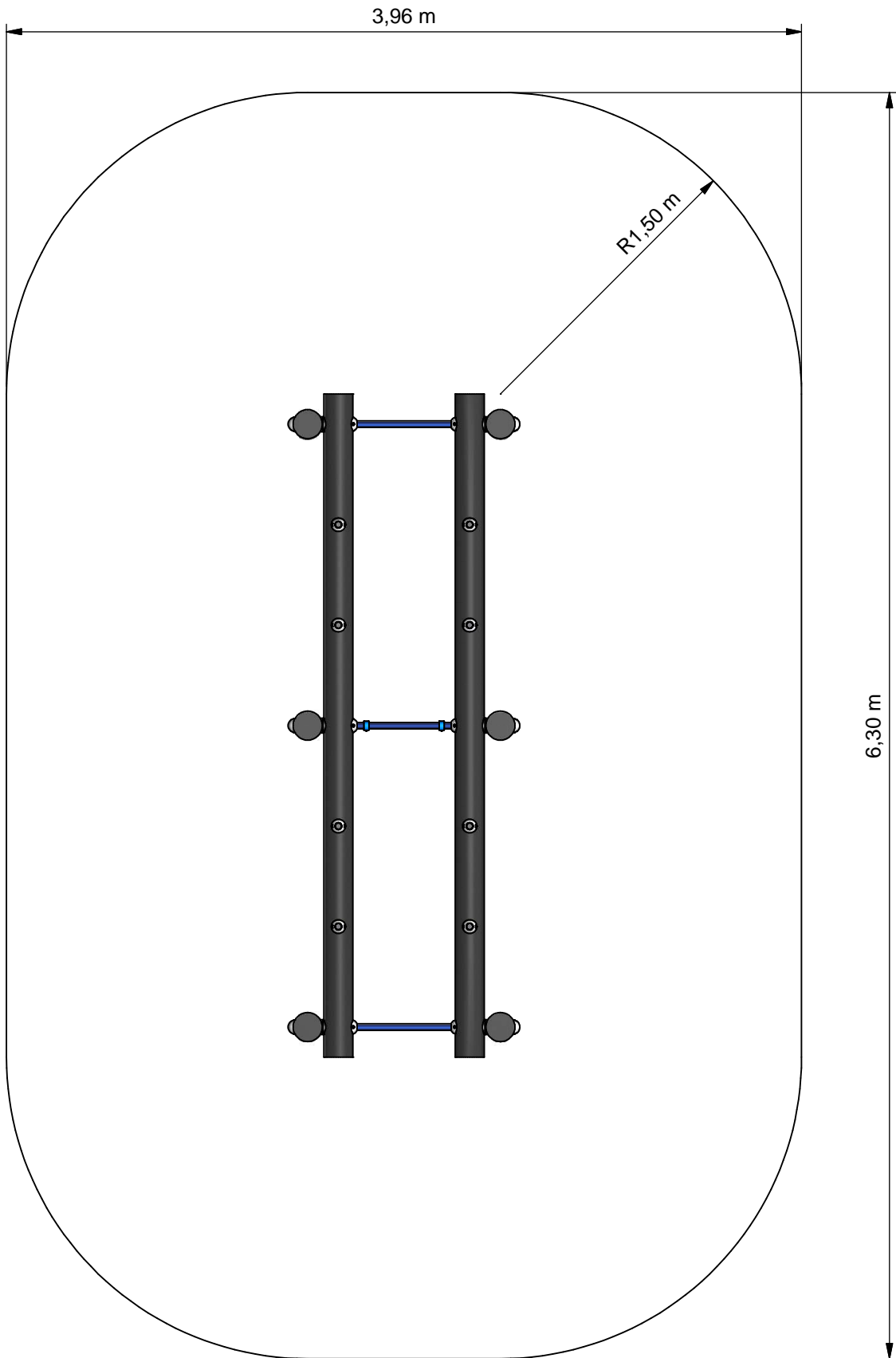


Climbing equipment



SPT100.280





- Opvangzone
Impact area
- Obstakelvrije zone
Obstacle free zone



Benaming / Title: Spring / rektoestel

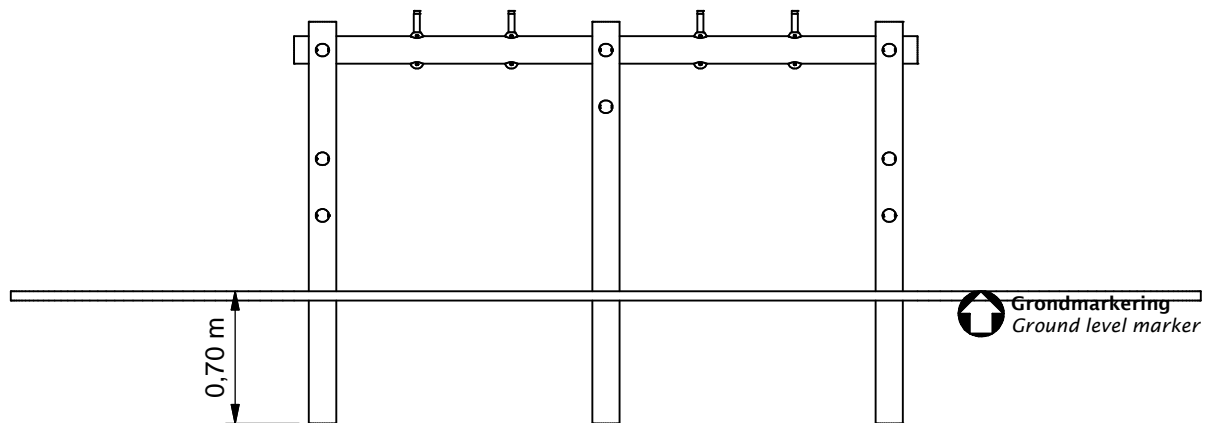
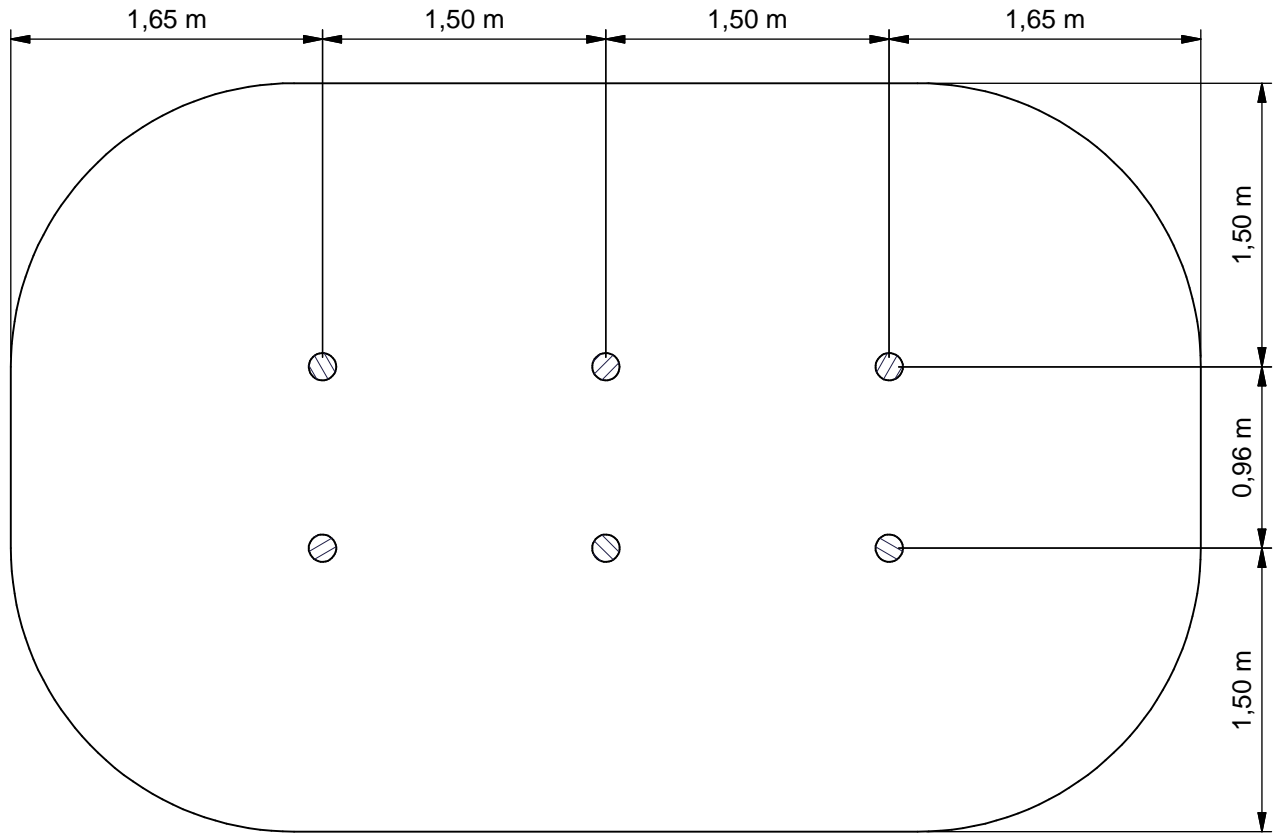
Opmerking / Comment: Trimbaan

Datum / Date: 4-11-2015

Tekening / Drawing

TOE SPT 100 280

Obstakelvrije zone *Obstacle free zone*



Benaming / Title: Spring / rektoestel
 Opmerking / Comment: Trimbaan
 Datum / Date: 4-11-2015

Tekening / Drawing

TOE SPT 100 280

Bodemplan Groundplan

Geleverde modules:

Zie tabel

Supplied modules:

See table

Montageinstructie:

- De hoofdmaten geven de maten van de staanders en vloeren aan
- De detailtekeningen geven specifiek de maten van de verbindingen aan
- De modules met buizen zijn op de tekeningen bemaat op bovenkant kopplaat
- Overige modules zijn bemaat op de bovenkant (klimwanden, paalkappen, etc.)

Assembly instruction:

- The main dimensions indicate the dimensions of the posts and floors
- The detailed dimensions show the specific dimensions of the connections
- The modules which contain tubes are dimensioned at the top of the flanges
- Other modules are dimensioned at the top (climbing walls, caps for the posts, etc.)

Montagevolgorde:

- 1 - Graaf de gaten volgens het bodemplan
- 2 - Plaats 5, verbind deze met 1+2+3+4
- 3 - Controleer of het toestel voldoet aan de afmetingen zoals op blad 'afmetingen'
- 4 - Dicht de gaten en verdicht het zand

Assembly sequence:

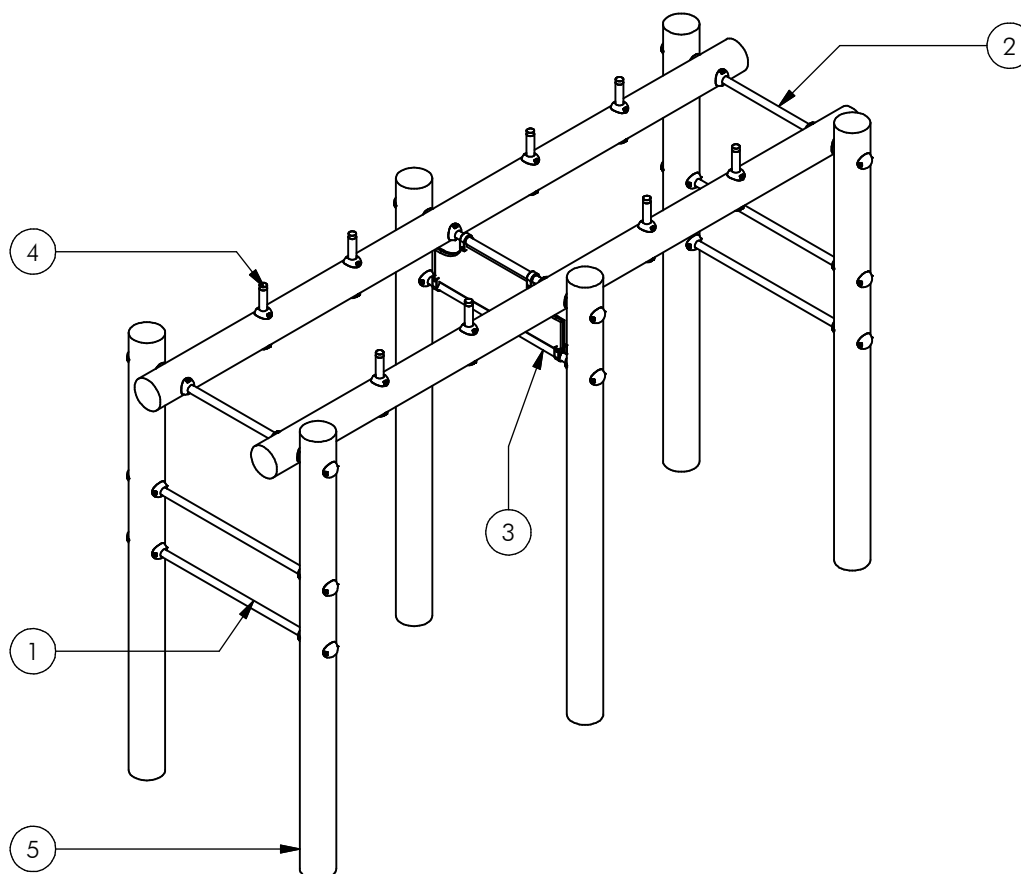
- 1 - Dig the holes according to the ground plan
- 2 - Place 5, attach it between with 1+2+3+4
- 3 - Check that the equipment conforms to the dimensions shown on sheet 'dimensions'
- 4 - Close the holes and compact the sand

Controles:

- 1 - Correcte opbouw en alle bevestigingsmiddelen
- 2 - Controleer de afmetingen van de valbodem t.o.v. het toestel

Checks:

- 1 - Correct assembly and all the fasteners
- 2 - Check the dimensions of the safety area with regard to the play equipment



Nr	#	Type	Progr.	Volgnr	Bew.	Rev.	Benaming	Opmerking
1	4	MOD	JGP	002	051		STANG Doppen Grijs	h.o.h. 960 mm
2	2	MOD	SPT	001	006		Stang staander/ligger	h.o.h. 960 mm
3	1	MOD	SPT	001	007		Schotje	Springtoestel
4	8	MOD	SPT	001	008		Handgreep	
5	1	MOD	SPT	100	280		Rebo Pakket	SPT.100.280



Benaming / Title: Spring / rektostel
 Opmerking / Comment: Trimbaan
 Datum / Date: 4-11-2015

Tekening / Drawing

TOE SPT 100 280

Modules Modules

SPTE100.280

Climbing equipment

LOGBOOK

(Onderstaand logboek kan gebruikt worden om te voldoen aan de eisen, gesteld in artikel 14 van het Warenwetbesluit Attractie- en Speeltoestellen)

Type indication	Sports equipment
Product code	SPTE100.280
Name of equipment	Spring/Rektoestel
Maximum height of fall	1,5 m
Year of construction	2017
Certificate	0183402366
inspection authority	BOER SPEELTOESTELLEN HYACINTSTRAAT 2 - 4255HX NIEUWENDIJK
Name manufacturer	BOERplay Hyacintstraat 2 - 4255 HX Nieuwendijk Phone: +31 (0)183 40 23 66 Fax: +31 (0)183 40 35 64
name installer	_____ _____
Description of equipment	Climbing equipment
Location of equipment	_____
Data about the owner of the play equipment	
Name:	_____
Address:	_____
Postcode and town:	_____
Contact person:	_____
Telephone number:	_____
Data about the administrator of the play equipment	
Name:	_____
Address:	_____
Postcode and town:	_____
Contact person:	_____
Telephone number:	_____

LOGBOOK

Inspection and maintenance intervals



Nr.	Inspection	Maintenance	months between inspections
1	Verify equipment's stability, junctions and missing parts. Inspect bolts, screws and nuts for absence, jams, corrosion and wear.	Add missing parts, secure joints, apply missing fixing agent and replace corroded parts.	1
2	Check suspension for wear.	Replace worn parts and/or remove non-functioning parts.	1
3	Inspect rotating parts such as hinges, rolling-element bearings, etc. for wear and acceptability.	Replace worn parts and/or remove non-functioning parts.	1
4	Check wood for splinters, unacceptable damage and signs of rot. Especially at ground level.	Repair damage. Replace affected wood. Smoothen splintered wood and sharp edges.	1
5	Inspect foundation for stability, tearing and coverage.	Restore foundation and covering material.	3
6	Examine rubber and synthetic parts for wear, damage and break.	Replace original parts.	3
7	Inspect metal for corrosion and damage in the coating.	Restore any damaged coating (after removing rust and applying primer).	6
8	Check ropes, cables, chains and nets for wear and damage. Steel cables and nets which are tensioned must be checked for tension.	Replace parts where necessary. Steel cables and nets must be tensioned.	3
9	Inspect equipment for unsafe changes and additions.	Remove unsafe additions and correct unsafe changes.	1
10	Inspect safety surfaces.	Restore and repair where necessary.	1

Remarks

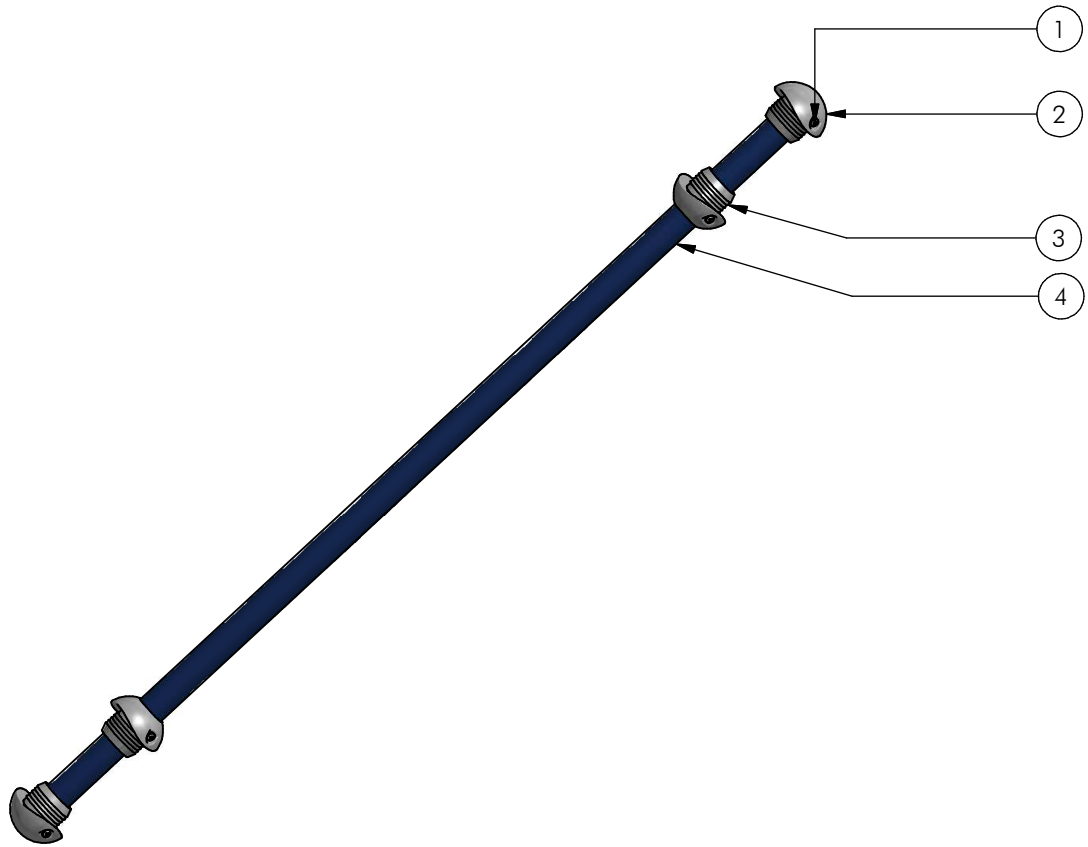
1. If used intensively, all points require extra attention.
2. Extreme weather conditions and locations may require a higher inspection frequency. Discuss this with the supplier.
3. Vandalism-sensitive locations require stricter inspections, possibly daily.
4. Check the terrain regularly for items that do not belong there, are unsafe or may be used wrongly. Examples are poisonous plants, glass shards, etc. Frequency depends on strain.
5. Remember that bad maintenance leads to unsafe conditions and notably faster impoverishment of the playground area.
6. Replacement parts can be ordered at the manufacturer with the part numbers on the module drawing. Drawings can be found in de user guide.
7. The impact area shall be provided with impact attenuating surface according to the specified falling height.
8. This list is conform the CEN-standard "playground equipment and surfacing NEN-EN 1176-7".



Dit toestel is geen speeltoestel conform het warenwetbesluit attractie- en speeltoestellen, en is dus niet als zodanig gecertificeerd.

This equipment is not playground equipment, so it has not been certified as such.





Nr	#	Type	Progr.	Volgnr	Bew.	Rev.	Benaming	Opmerking
1	8	BSV	005	005	025		Zebra Pias	4,8x25 - VZ 8.8
2	2	KST	JGP	001	070		Inslagdop grijs	
3	2	KST	JGP	002	070		Inslagring grijs	
4	1	OME	318	114	502		Pijp Ø 31.8x2.6	L = 1135



Benaming
Title STANG Doppen Grijs

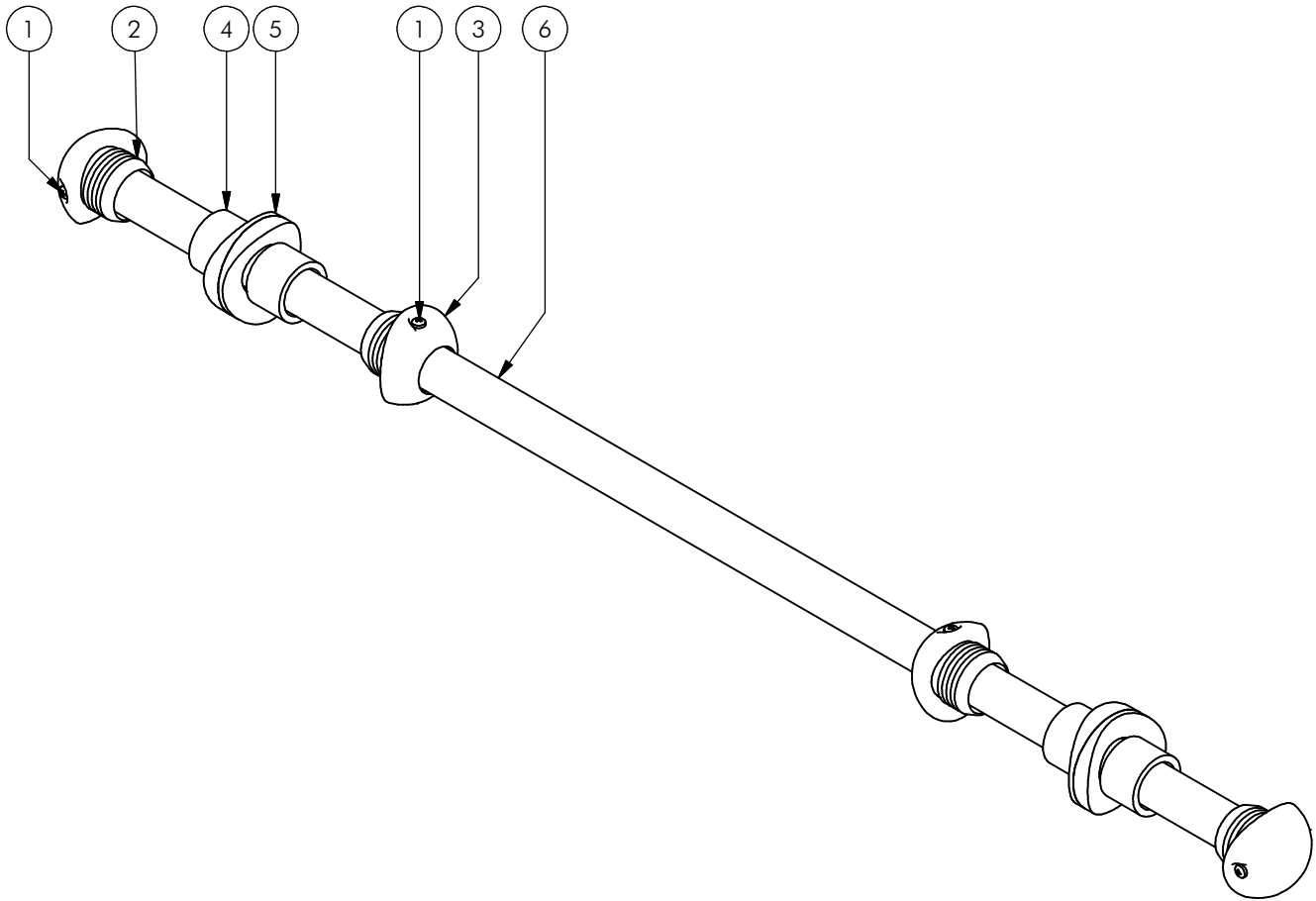
Opmerking
Comment h.o.h. 960 mm

Datum
Date 9-3-2015

Tekening
Drawing

MOD JGP 002 051

Samenstelling module *Assembly module*



Nr	#	Type	Progr.	Volgnr	Bew.	Rev.	Benaming	Opmerking
1	8	BSV	005	005	025		Zebra Pias	4,8x25 - VZ 8.8
2	2	KST	JGP	001	070		Inslagdop grijs	
3	2	KST	JGP	002	070		Inslagring grijs	
4	4	KST	JGP	003	010		Vulring	art.nr.80395000050
5	4	KST	JGP	004	080		Vulschijf	art.nr.80395000040
6	1	OME	318	114	502		Pijp Ø 31.8x2.6	L = 1135

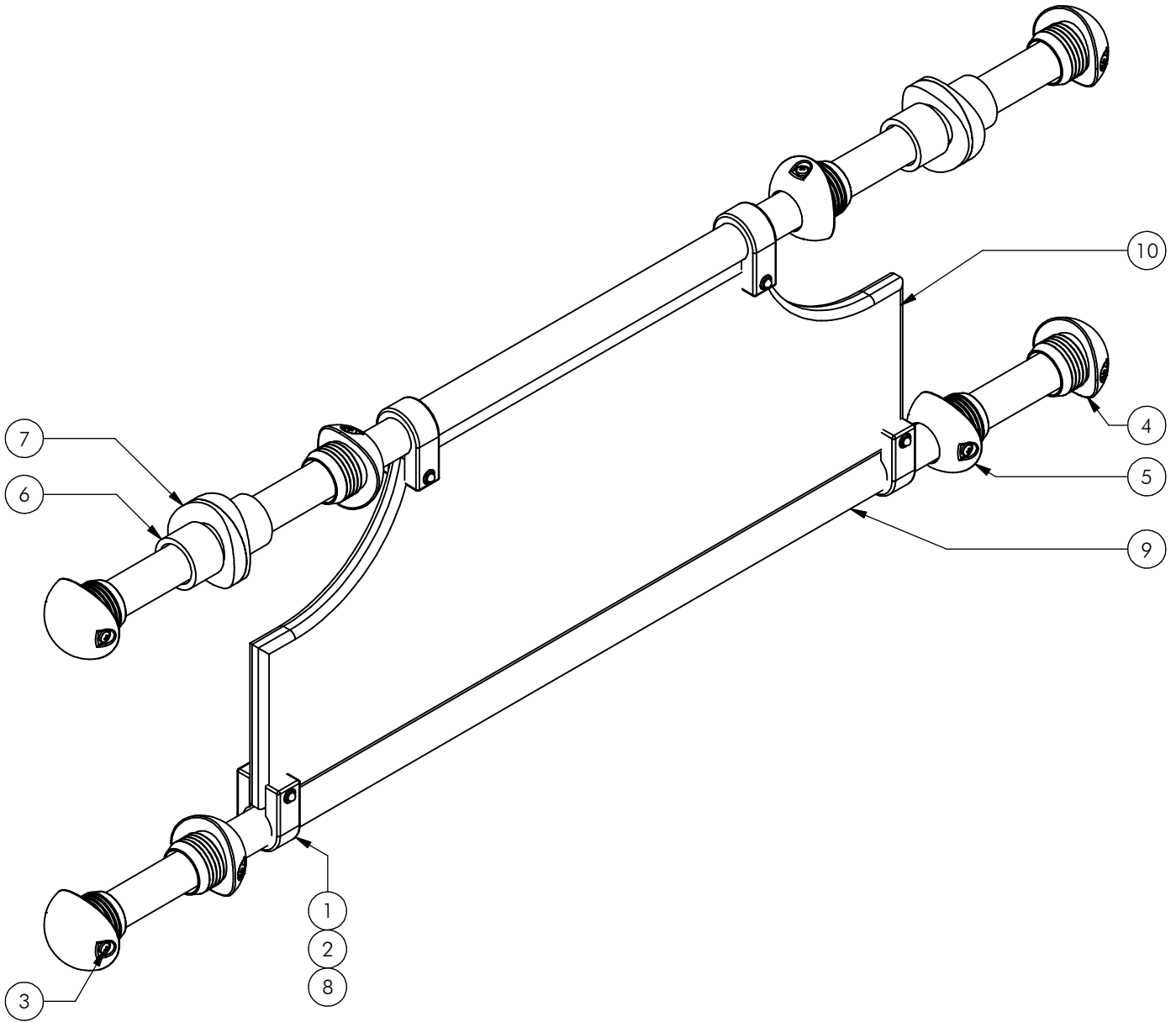


Benaming / Title: Stang staander/ligger
 Opmerking / Comment: h.o.h. 960 mm
 Datum / Date: 4-11-2015

Tekening / Drawing

MOD SPT 001 006

Samenstelling module Assembly module



Nr	#	Type	Progr.	Volgnr	Bew.	Rev.	Benaming	Opmerking
1	4	BSR	011	006	012		Borgdopmoer	M6 - RVS A2-70
2	4	BSR	025	006	040		Veiligheids Bout	Pin-Torx - RVS A2-70
3	16	BSV	005	005	025		Zebra Pias	4,8x25 - VZ 8.8
4	4	KST	JGP	001	070		Inslagdop grijs	
5	4	KST	JGP	002	070		Inslagring grijs	
6	4	KST	JGP	003	010		Vulring	art.nr.80395000050
7	4	KST	JGP	004	080		Vulschijf	art.nr.80395000040
8	4	KST	KLM	032	050		Klembeugel blauw 32mm	80095001015
9	2	OME	318	114	502		Pijp Ø 31.8x2.6	L = 1135
10	1	OPE	SPT	003	050		Afdichtplaat	Sport 280

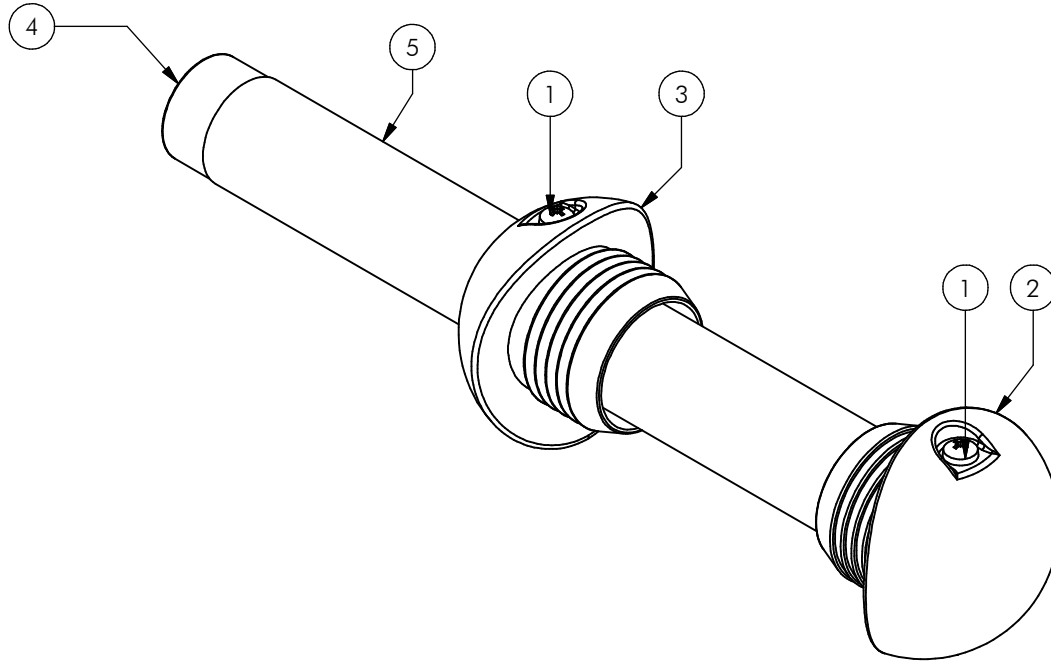


Benaming Title Schotje
 Opmerking Comment Springtoestel
 Datum Date 4-11-2015

Tekening Drawing

MOD SPT 001 007

Samenstelling module Assembly module



Nr	#	Type	Progr.	Volgnr	Bew.	Rev.	Benaming	Opmerking
1	4	BSV	005	005	025		Zebra Pias	4,8x25 - VZ 8.8
2	1	KST	JGP	001	070		Inslagdop grijs	
3	1	KST	JGP	002	070		Inslagring grijs	
4	1	KST	LAM	031	090		Afdichtdop	JP-buis
5	1	OME	318	028	502		Pijp Ø31.8 x 2.6	L=280 mm



Benaming
Title Handgreep

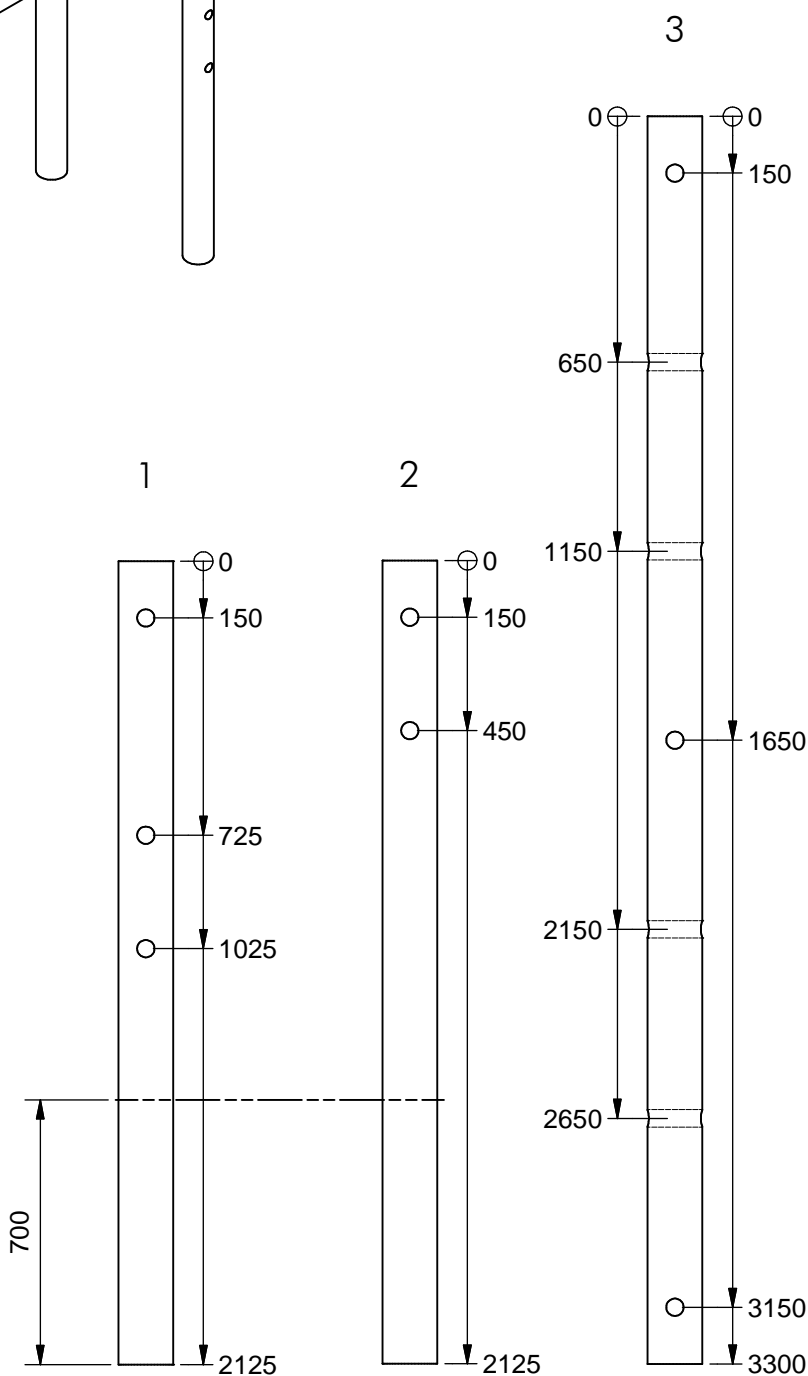
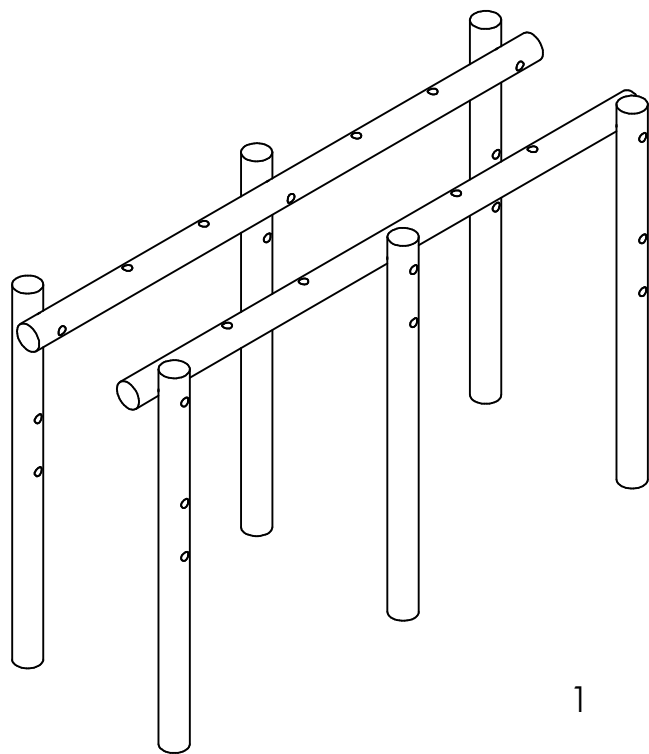
Opmerking
Comment

Datum
Date 4-11-2015

Tekening
Drawing

MOD SPT 001 008

Samenstelling module Assembly module



All holes $\varnothing 46$ unless otherwise stated.
 All holes pierce unless otherwise stated.
 All the holes in the heart of the post, unless otherwise stated.

Alle gaten $\varnothing 46$ tenzij anders vermeld.
 Alle gaten doorboren tenzij anders vermeld.
 Alle gaten in hart van de paal tenzij anders vermeld.

Nr	#	Type	Progr.	Volgnr	Bew.	Rev.	Benaming	Opmerking
1	4	ORE	SPT	001	024		Rebo $\varnothing 145$	L= 2125
2	2	ORE	SPT	001	025		Rebo $\varnothing 145$	L= 2125
3	2	ORE	SPT	001	026		Rebo $\varnothing 145$	L= 3300



Benaming
 Title Rebo Pakket

Opmerking
 Comment SPT.100.280

Datum
 Date 4-11-2015

Tekening
 Drawing

MOD SPT 100 280

Samenstelling module Assembly module