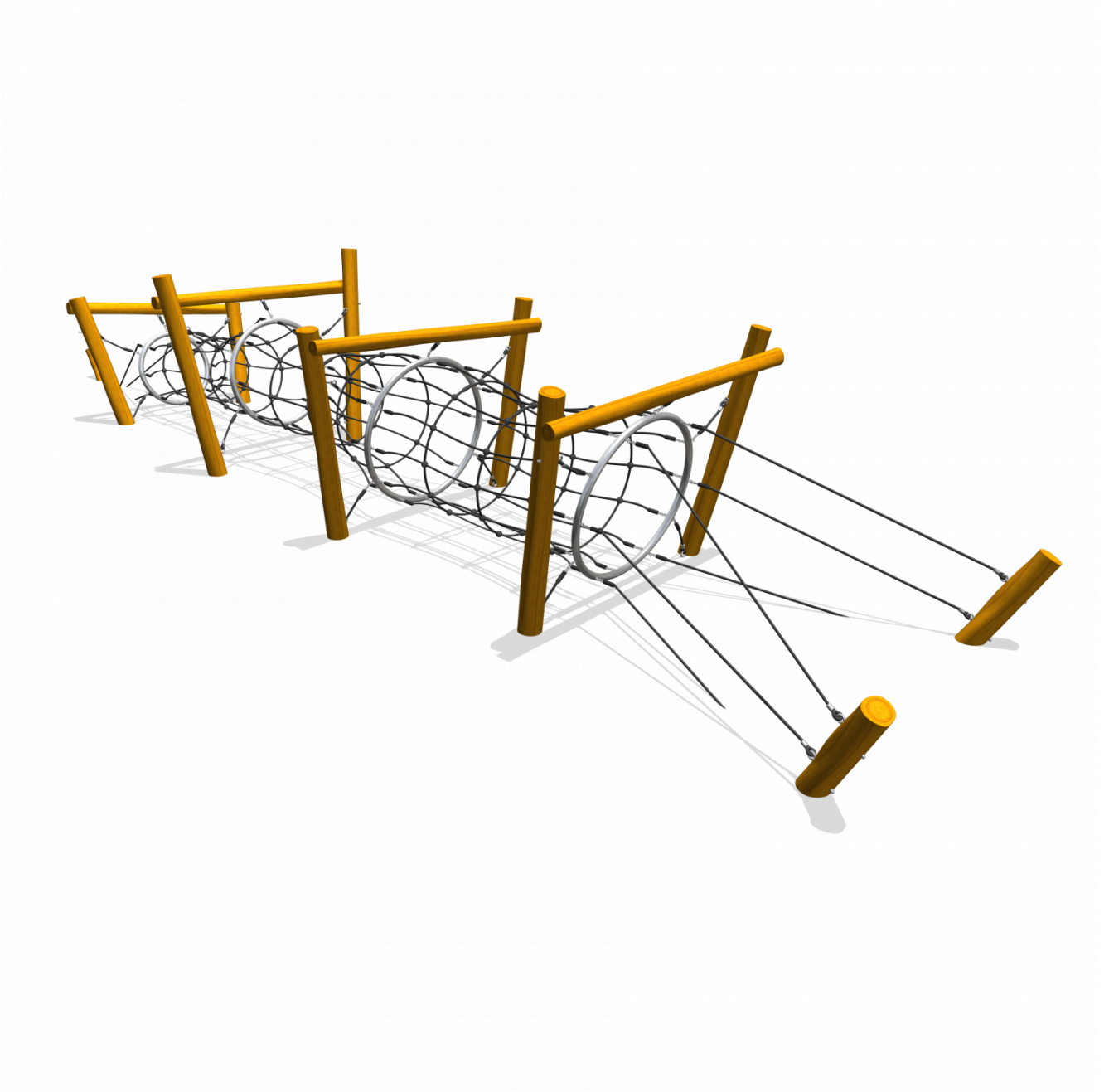
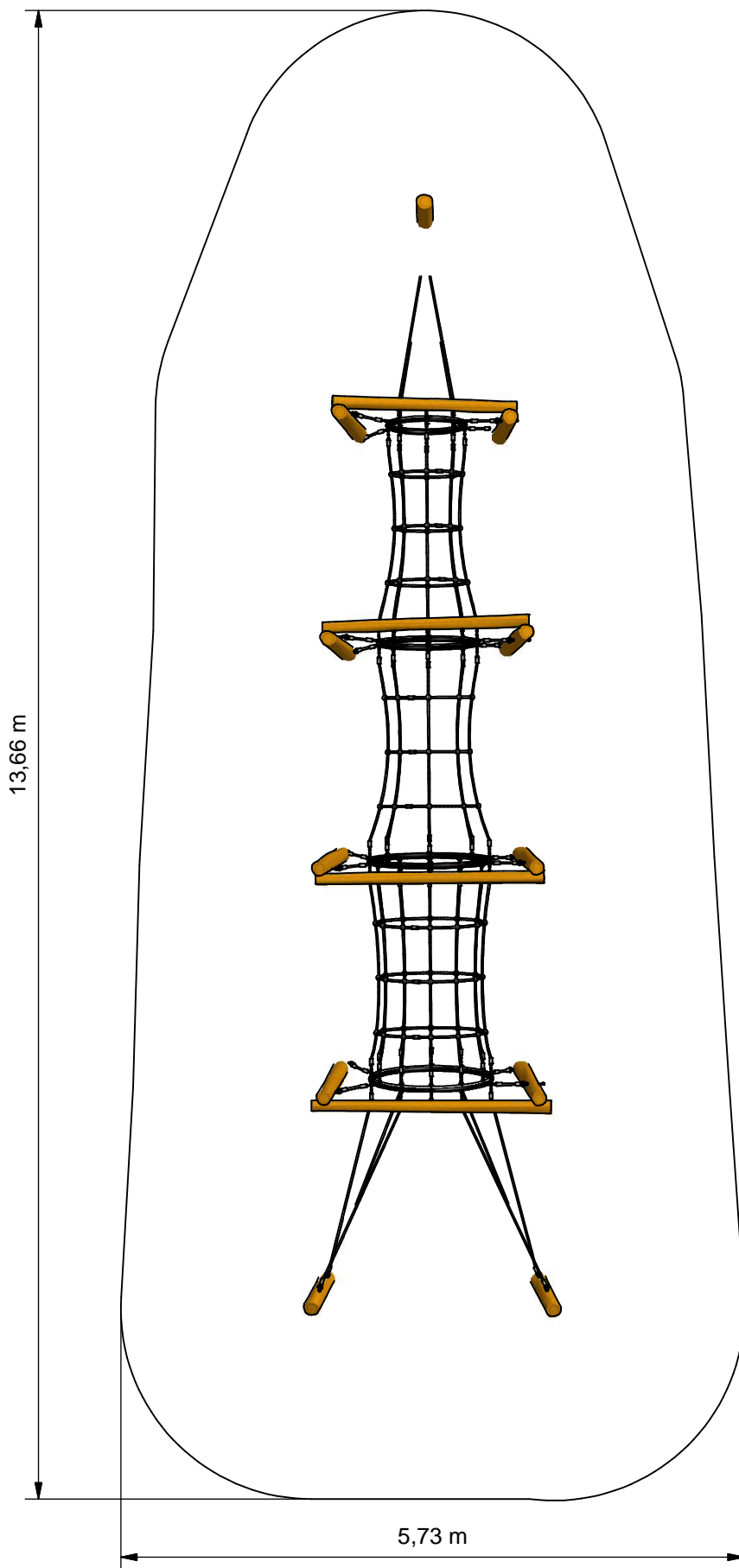




Climbing fyke



PSTE000.104



- Opvangzone
Impact area
- Obstakelvrije zone
Obstacle free zone



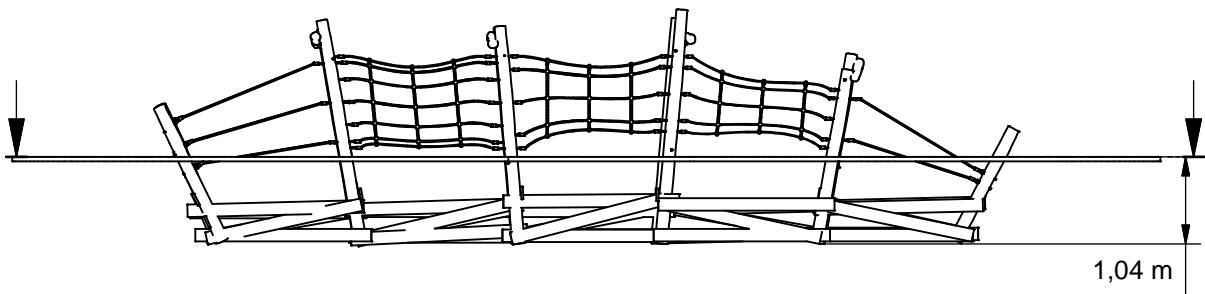
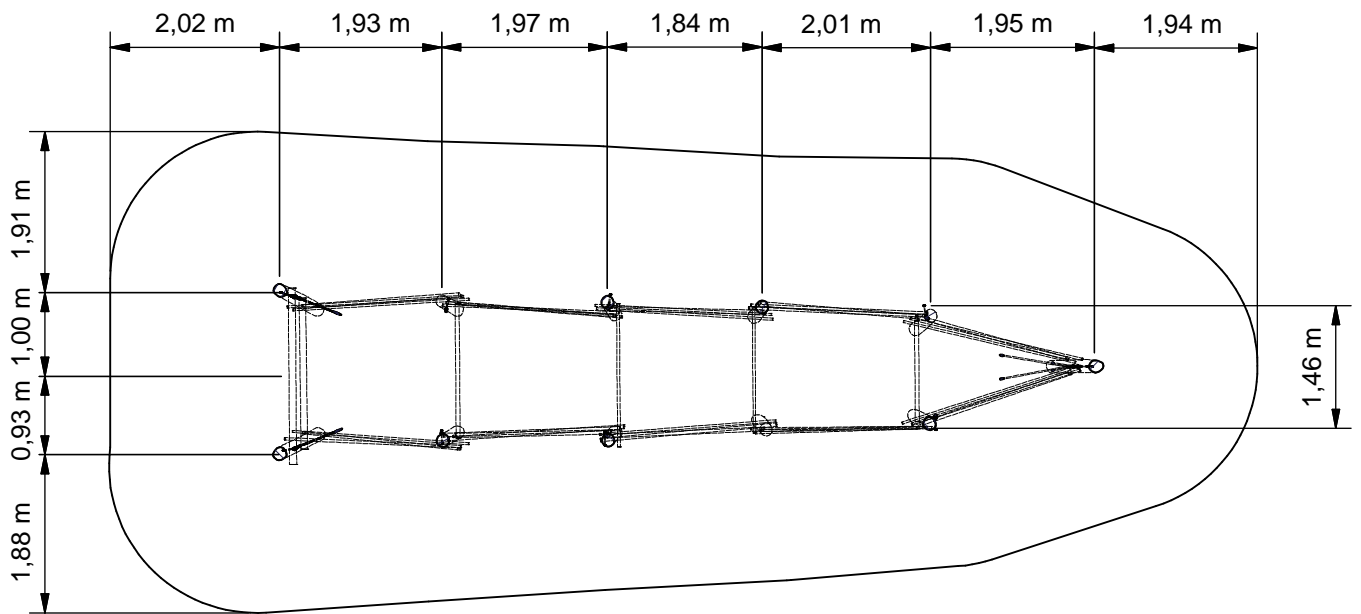
Benaming
Title | Fuik

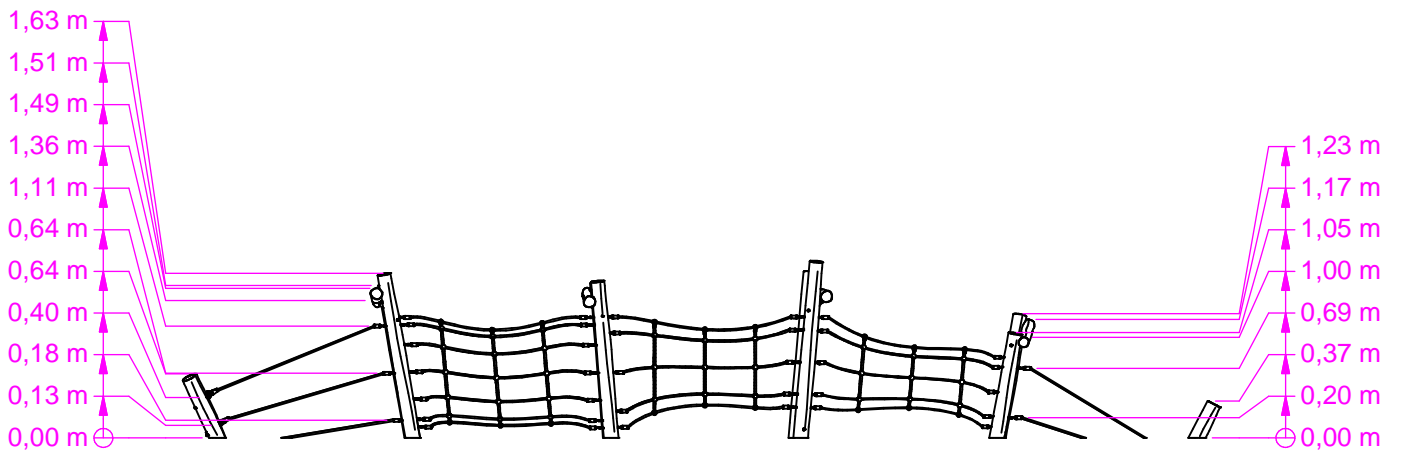
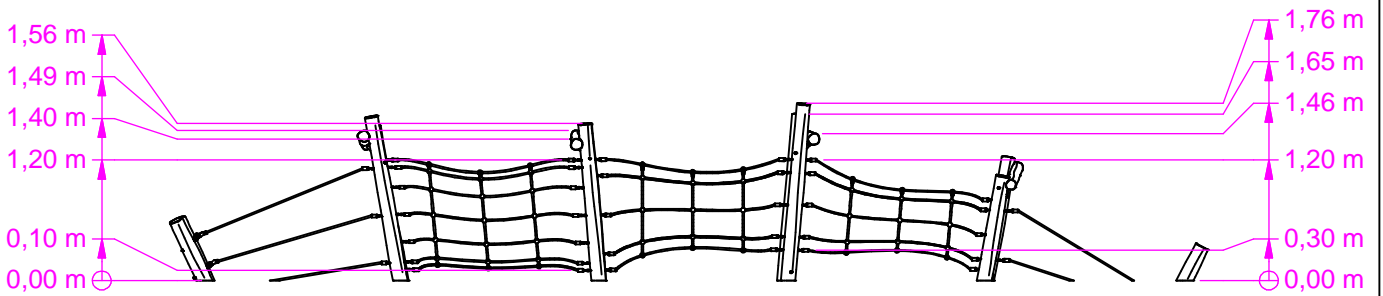
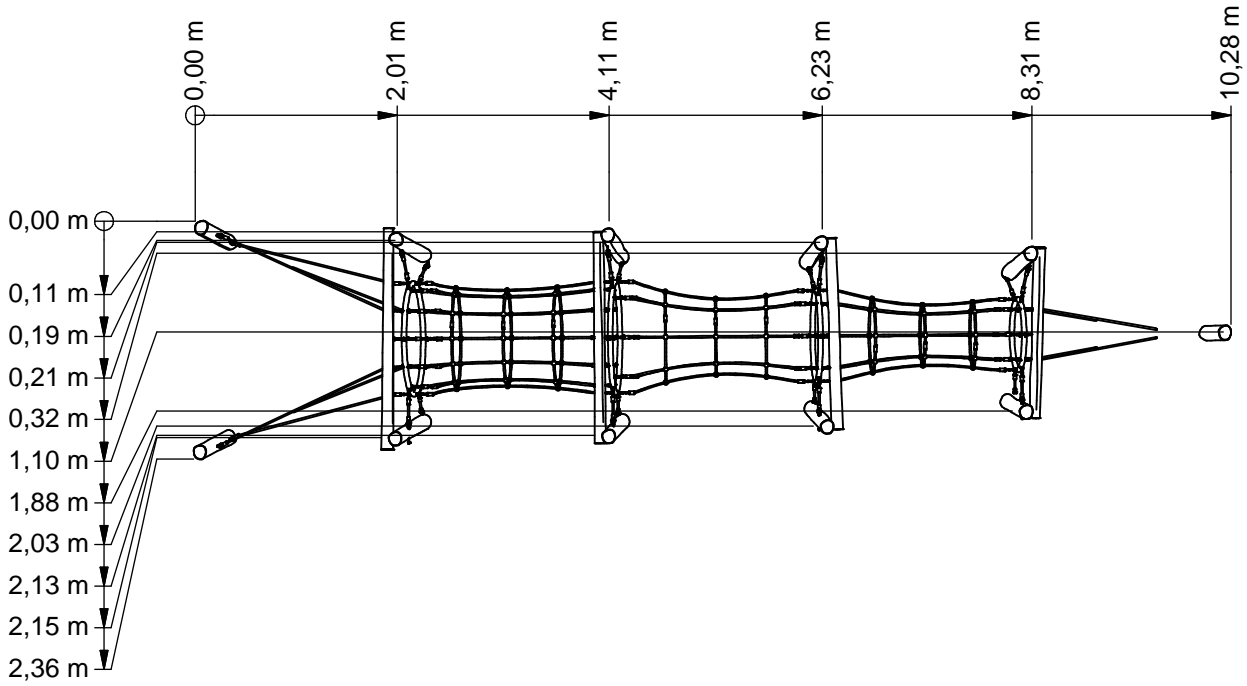
Opmerking
Comment | Adventure Play

Datum
Date | 1-10-2013

Tekening
Drawing

TOE PST 000 104 A
Obstakelvrije zone *Obstacle free zone*





Benaming
Title Fuik

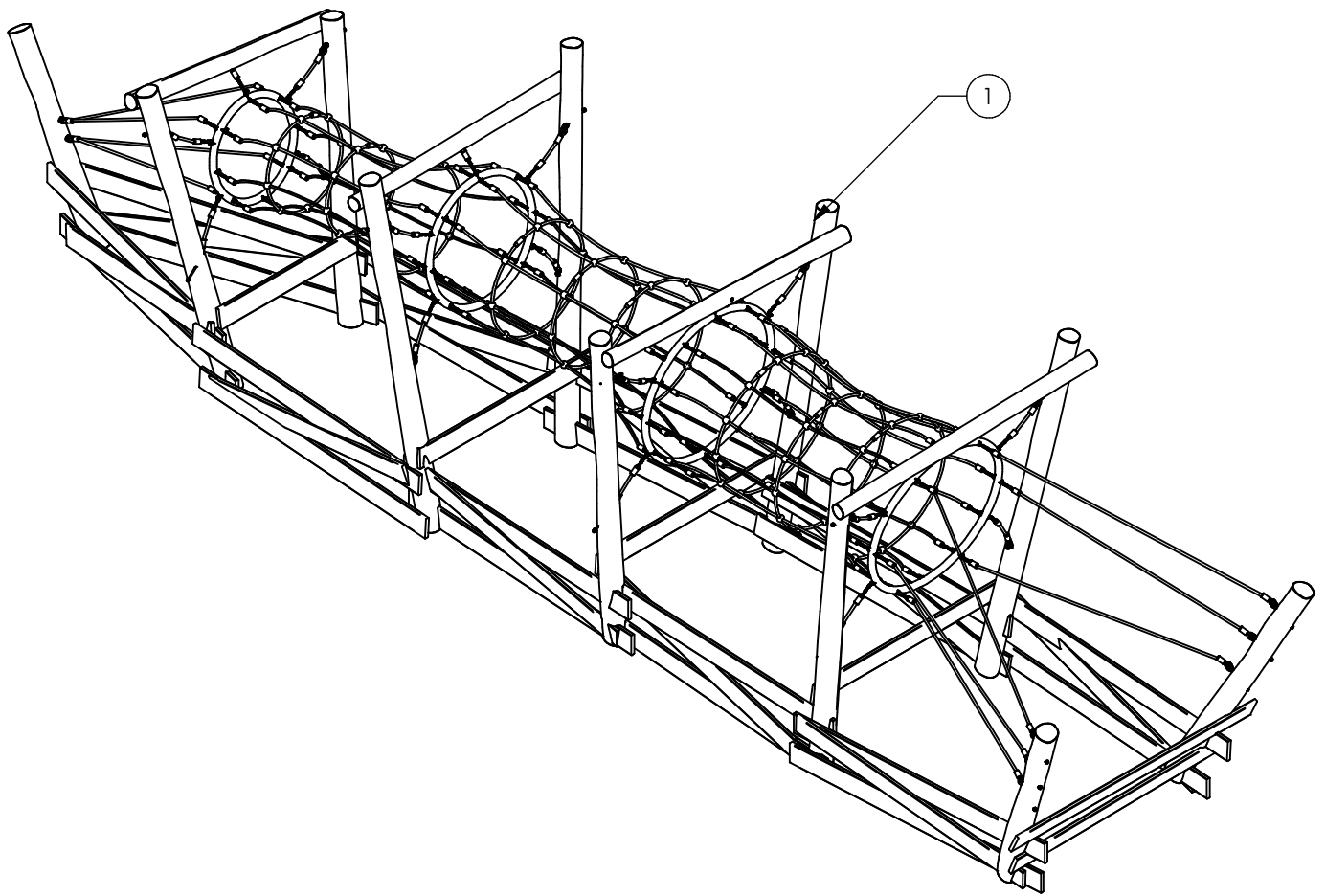
Opmerking
Comment Adventure Play

Datum
Date 1-10-2013

Tekening
Drawing

TOE PST 000 104 A

Afmetingen Dimensions



Nr	#	Type	Progr.	Volgnr	Bew.	Rev.	Benaming	Opmerking
1	1	MOD	PST	052	000	A	Fuik	Adventure Play



Benaming
Title: Fuik

Opmerking
Comment: Adventure Play

Datum
Date: 1-10-2013

Tekening
Drawing

TOE PST 000 104 A

Modules Modules

Geleverde delen:

- A - Palen met ring 1300 mm
- B - Afspantouwen
- C - Afspanpaaltjes
- D - Palen met ring 1100 mm
- E - Doorkruipnet groot
- F - Palen met ring 900 mm
- G - Doorkruipnet middelgroot
- H - Palen met ring 700 mm
- I - Doorkruipnet klein
- J - Afspantouwen
- K - Afspanpaaltje
- L - Fundering planken (set van 2)
- M - Fundering planken (sets van 3)

Bevestiging sets:

- 1 - RVS M12 bevestigingssets voor alle palen en planken
- 2 - RVS D-sluiting 5mm

Montagevolgorde:

- 1 - Graaf de gaten volgens het bodemplan en plaats hierin A en C
- 2 - Maak B vast aan A en C met 2. Span B, maak L en M vast aan C en A
- 3 - Plaats D, verbind E met A en D met 2. Span E en bevestig M aan A en D
- 4 - Plaats F, verbind G met D en F met 2. Span G en bevestig M aan D en F
- 5 - Plaats H, verbind I met F en H met 2. Span I en bevestig M aan F en H
- 6 - Plaats K, verbind J aan H en K met 2. Span J en bevestig M aan H en K
- 7 - Controleer of het toestel voldoet aan de afmetingen zoals op blad 'afmetingen'
- 8 - Dicht de gaten en verdicht het zand

Controles:

- 1 - Correcte opbouw en alle bevestigingsmiddelen
- 2 - Controleer de afmetingen van de valbodem t.o.v. het toestel
- 3 - Zorg ervoor dat alle touwen strak gespannen zijn
- 4 - Controleer D-sluitingen hoger dan 1 m ten opzichte van het maaiveld op de noodzaak tot het aanbrengen van diabolos (tegen beknellingen)

Supplied parts:

- A - Posts with ring 1300 mm
- B - Tightening ropes
- C - Posts for tightening ropes
- D - Posts with ring 1100 mm
- E - Tunnel net big
- F - Posts with ring 900 mm
- G - Tunnel net medium
- H - Posts with ring 700 mm
- I - Tunnel net small
- J - Tightening ropes
- K - Post for tightening ropes
- L - Foundation planks (set of 2)
- M - Foundation planks (sets of 3)

Mounting kits:

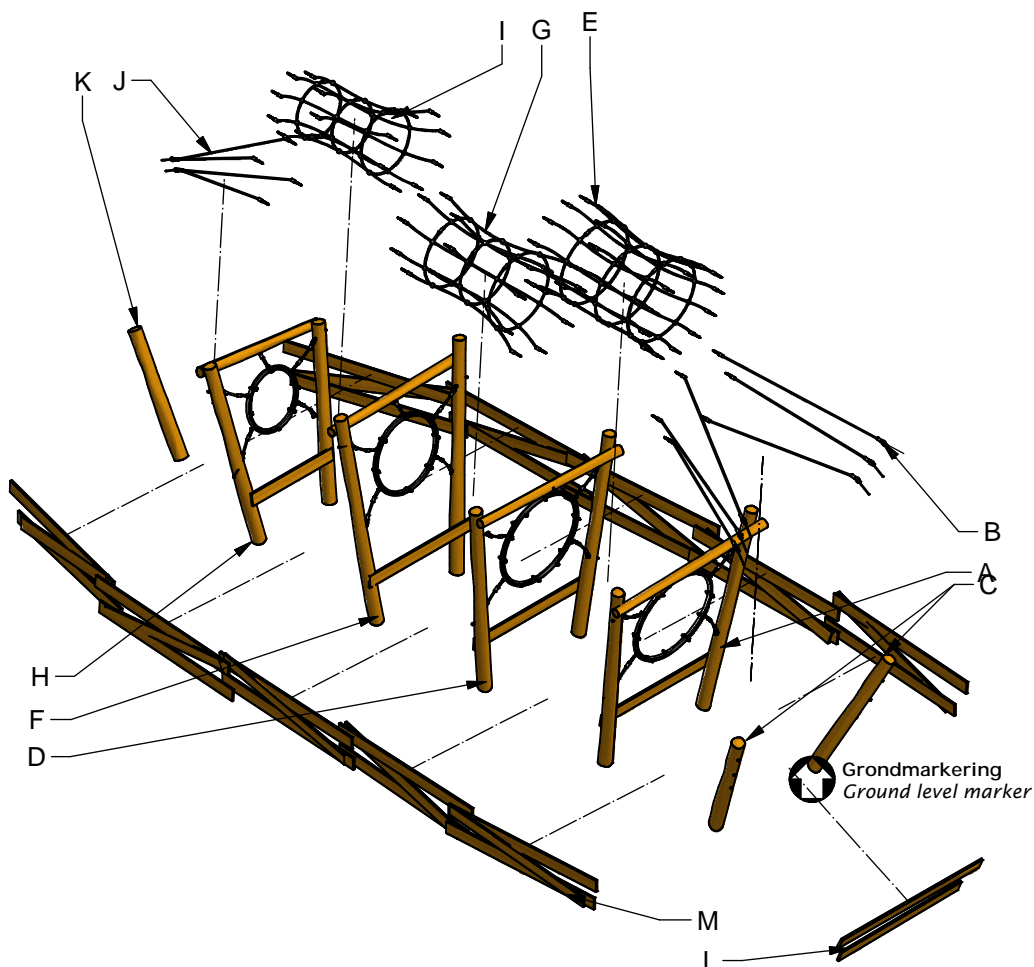
- 1 - Stainless steel M12 fastener sets for all posts and planks
- 2 - Stainless steel D shackle 5 mm

Assembly sequence:

- 1 - Dig the holes according to the ground plan and place A and C
- 2 - Attach B to A and C with 2. Stretch B, attach L and M to C and A
- 3 - Place D, attach E to A and D with 2. Stretch E and attach M to A and D
- 4 - Place F, attach G to D and F with 2. Stretch G and attach M to D and F
- 5 - Place H, attach I to F and H with 2. Stretch I and attach M to F and H
- 6 - Place K, attach J to H and K with 2. Stretch J and attach M to H and K
- 7 - Check that the equipment conforms to the dimensions shown on sheet 'dimensions'
- 8 - Close the holes and compact the sand

Checks:

- 1 - Correct assembly and all the fasteners
- 2 - Check the dimensions of the safety area compared to the play equipment
- 3 - Make sure that all ropes are stretched properly
- 4 - Check D-shackles higher than 1 m with respect to the ground level on the need for the application of diabolos (to avoid entrapments)



PSTE000.104

Climbing fyke

LOGBOOK

(Onderstaand logboek kan gebruikt worden om te voldoen aan de eisen, gesteld in artikel 14 van het Warenwetbesluit Attractie- en Speeltoestellen)

Type indication	Adventure Play
Product code	PSTE000.104
Name of equipment	Klimfuik
Maximum height of fall	1,5 m
Year of construction	2017
Certificate	031510
inspection authority	TUV Nederland QA BV De Waal 21c, Best - 5684 PH Best
Name manufacturer	BOERplay Hyacintstraat 2 - 4255 HX Nieuwendijk Phone: +31 (0)183 40 23 66 Fax: +31 (0)183 40 35 64
name installer	_____ _____
Description of equipment	Climbing fyke
Location of equipment	_____
Data about the owner of the play equipment	
Name:	_____
Address:	_____
Postcode and town:	_____
Contact person:	_____
Telephone number:	_____
Data about the administrator of the play equipment	
Name:	_____
Address:	_____
Postcode and town:	_____
Contact person:	_____
Telephone number:	_____

LOGBOOK

Inspection and maintenance intervals



Nr.	Inspection	Maintenance	months between inspections
1	Verify equipment's stability, junctions and missing parts. Inspect bolts, screws and nuts for absence, jams, corrosion and wear.	Add missing parts, secure joints, apply missing fixing agent and replace corroded parts.	1
2	Check suspension for wear.	Replace worn parts and/or remove non-functioning parts.	1
3	Inspect rotating parts such as hinges, rolling-element bearings, etc. for wear and acceptability.	Replace worn parts and/or remove non-functioning parts.	1
4	Check wood for splinters, unacceptable damage and signs of rot. Especially at ground level.	Repair damage. Replace affected wood. Smoothen splintered wood and sharp edges.	1
5	Inspect foundation for stability, tearing and coverage.	Restore foundation and covering material.	3
6	Examine rubber and synthetic parts for wear, damage and break.	Replace original parts.	3
7	Inspect metal for corrosion and damage in the coating.	Restore any damaged coating (after removing rust and applying primer).	6
8	Check ropes, cables, chains and nets for wear and damage. Steel cables and nets which are tensioned must be checked for tension.	Replace parts where necessary. Steel cables and nets must be tensioned.	3
9	Inspect equipment for unsafe changes and additions.	Remove unsafe additions and correct unsafe changes.	1
10	Inspect safety surfaces.	Restore and repair where necessary.	1

Remarks

1. If used intensively, all points require extra attention.
2. Extreme weather conditions and locations may require a higher inspection frequency. Discuss this with the supplier.
3. Vandalism-sensitive locations require stricter inspections, possibly daily.
4. Check the terrain regularly for items that do not belong there, are unsafe or may be used wrongly. Examples are poisonous plants, glass shards, etc. Frequency depends on strain.
5. Remember that bad maintenance leads to unsafe conditions and notably faster impoverishment of the playground area.
6. Replacement parts can be ordered at the manufacturer with the part numbers on the module drawing. Drawings can be found in de user guide.
7. The impact area shall be provided with impact attenuating surface according to the specified falling height.
8. This list is conform the CEN-standard "playground equipment and surfacing NEN-EN 1176-7".

Warenwet

Certificaat van Typeonderzoek Type Examination Certificate

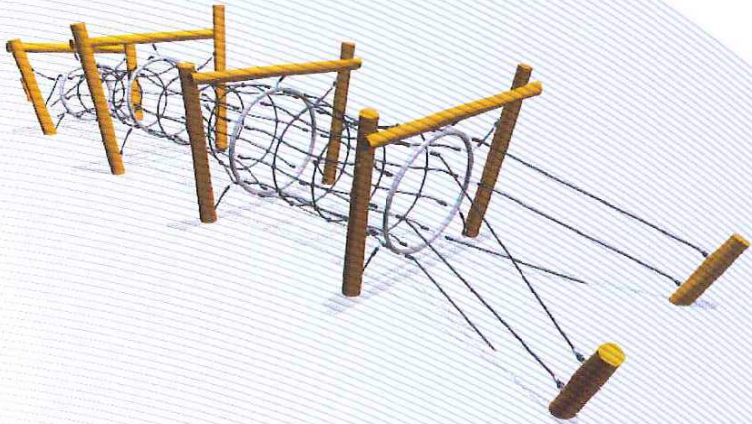
afgegeven door issued by

TÜV Nederland QA BV



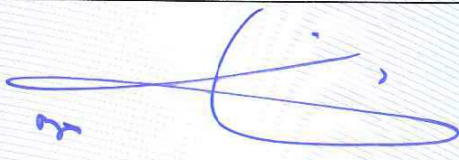
aangewezen bij ministeriële beschikking van
4 mei 2012, nr. VGP 3113590

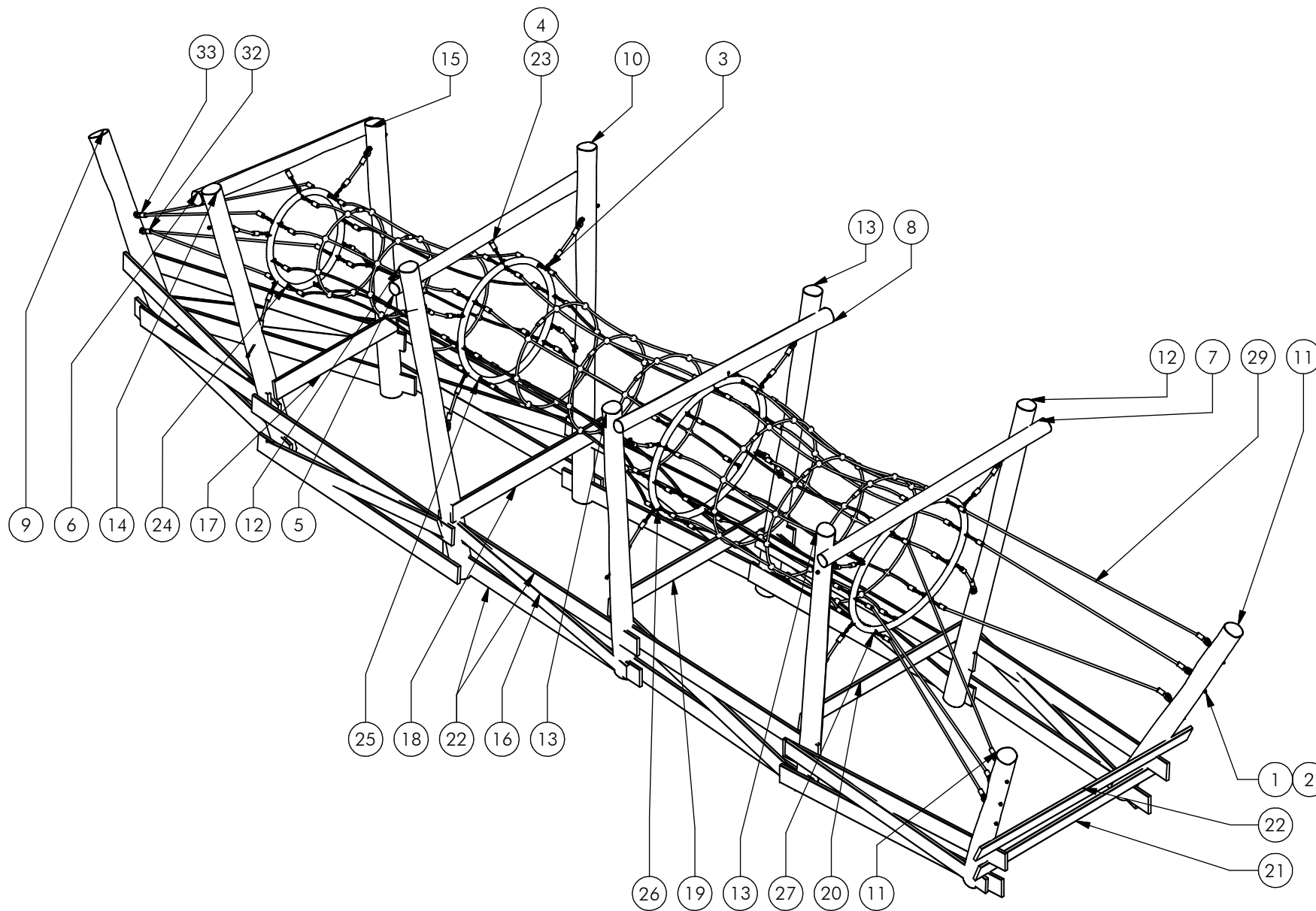
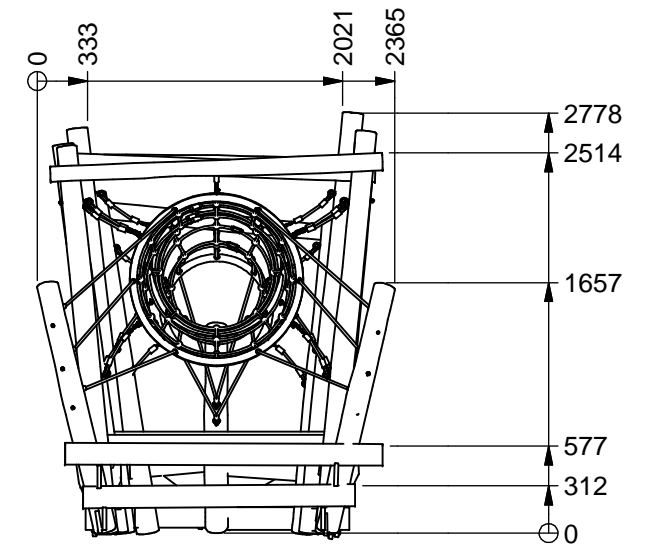
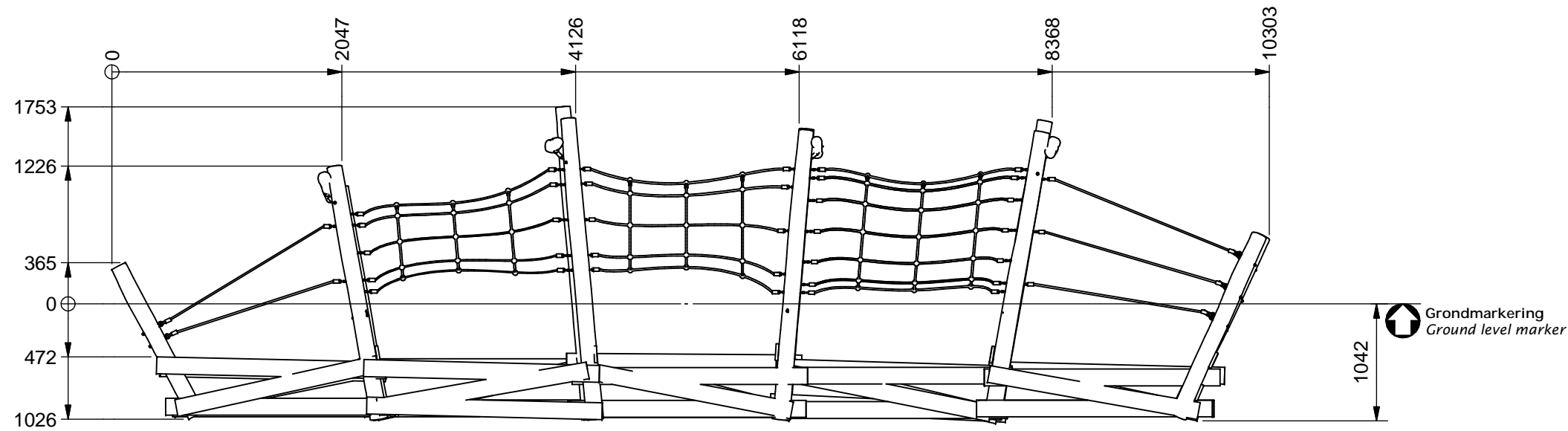
commissioned by departmental order
of 4 May 2012, no. VGP 3113590

Certificaat nr. Certificate nr.	031510TA_20131219	Dossierr. File nr.	031510TA
Productomschrijving Product description	Klimfuik		
Evt. nadere aanduidingen Further indications	Vrije valhoogte 1,5 m		
voor nadere informatie zie bijbehorend rapport met gelijkloidend dossiernr. for further information see associated report with identical file nr.			
Eigenaar / certificaathouder en adres Owner/certificate holder and address	Boer Speeltoestellen B.V. Postbus 10 4255 ZG NIEUWENDIJK		
Soort toestel Category of equipment	Speeltoestel		
Fabrikant Manufacturer	Boer Speeltoestellen B.V. Hyacintstraat 2 4255 HX NIEUWENDIJK		
Type/Serienummer Type/Serial number	PST.000.104 /	in te vullen door de fabrikant to be filled out by the manufacturer	
Jaar van fabricage Year of construction	vanaf since 2013		
Leverancier Supplier	Boer Speeltoestellen B.V. Hyacintstraat 2 4255 HX NIEUWENDIJK		
Jaar van leverantie Year of supply			in te vullen door de leverancier to be filled out by the supplier
Datum keuring Date of examination	03-10-2013 – 19-12-2013		

TÜV Nederland QA BV, de Waal 21C, NL-5684 PH Best verklaart, dat het bovenaangehaalde toestel voldoet aan de vervaardigingvoorschriften genoemd in het Warenwetbesluit attractie- en speeltoestellen (met als leidraad de normatieve documenten NEN-EN 1176:2008).

TÜV Nederland QA BV declares that the here above mentioned equipment meets the safety and health requirements mentioned in the Dutch law "Warenwetbesluit attractie- en speeltoestellen" (guided by normative documents EN 1176:2008).

Namens het bestuur, For the board, A.C. Boon Directeur	
---	--



Nr	#	Type	Progr.	Volgnr	Bew.	Rev.	Benaming	Opmerking
1	24	BSR	011	010	020		DOPMOER	BORG RVS M10
2	24	BSR	030	010	002		Sluitring	M10 - RVS A2-70
3	86	BSR	031	005	000		D-Sluiting	5 mm, RVS A2-70
4	4	BSV	143	006	030		Veiligheidsschroef	Pin-Torx - VZ 8.8
5	1	OHO	PST	120	019		Paal 10-12	Lengte =1900
6	1	OHO	PST	120	017		Paal 10-12	Lengte =1700
7	1	OHO	PST	120	022		Paal 10-12	Lengte =2200
8	1	OHO	PST	120	021		Paal 10-12	Lengte =2100
9	1	OHO	PST	160	015		Paal 14-16	Lengte =1500
10	1	OHO	PST	160	028		Paal 14-16	Lengte =2800
11	2	OHO	PST	160	018		Paal 14-16	Lengte =1800
12	2	OHO	PST	160	027		Paal 14-16	Lengte =2700
13	3	OHO	PST	160	026		Paal 14-16	Lengte =2600
14	1	OHO	PST	160	023		Paal 14-16	Lengte =2300
15	1	OHO	PST	160	021		Paal 14-16	Lengte =2100
16	10	OHO	PST	222	190		Plank 150x25	Lengte = 1900
17	1	OHO	PST	222	120		Plank 150x25	Lengte = 1200
18	1	OHO	PST	222	150		Plank 150x25	Lengte = 1500
19	1	OHO	PST	222	170		Plank 150x25	Lengte = 1700
20	1	OHO	PST	222	160		Plank 150x25	Lengte = 1600
21	1	OHO	PST	222	180		Plank 150x25	Lengte = 1800
22	21	OHO	PST	222	210		Plank 150x25	Lengte = 2100
23	4	OME	BUS	002	RVS	A	Bus RVS schroefdraad	touw d16
24	1	SME	PST	054	320	A	Ring 700, 4/8	Adventure Play
25	1	SME	PST	055	320	A	Ring 900, 8/8	Adventure Play
26	1	SME	PST	056	320	A	Ring 1100, 8/12	Adventure Play
27	1	SME	PST	057	320	A	Ring 1100, 6/12	Adventure Play
28	1	SNT	PST	016	088	A	Tunnelnet fuik	Adventure play
29	6	SNT	PST	016	092	A	Spantouw	Adventure play
30	4	SNT	PST	016	094	A	Verticaal touw fuik	Adventure play
31	16	SNT	PST	016	093	A	Diagonaal touw fuik	Adventure play
32	1	SNT	PST	016	091	A	Spantouwen fuik	Adventure play
33	1	SNT	PST	016	090	A	Spantouwen fuik	Adventure play
34	1	SNT	PST	016	089	A	Tunnelnet fuik	Adventure play
35	1	SNT	PST	016	087	A	Tunnelnet fuik	Adventure play



Benaming: Fuik
 Opmerking: Adventure Play
 Datum: 10-2-2015

Tekening: Drawing

MOD PST 052 000 A
 Samenstelling module Assembly module