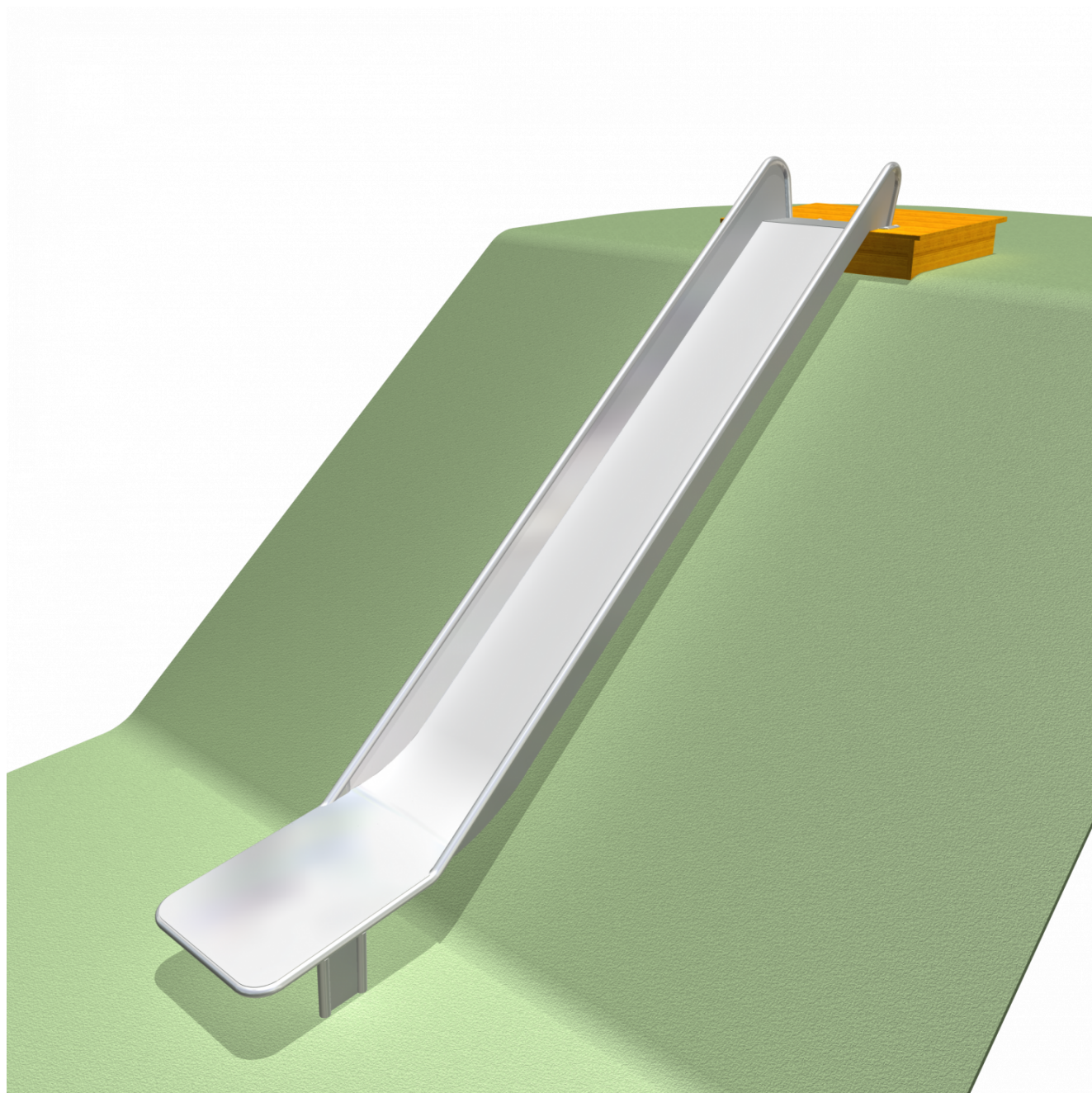
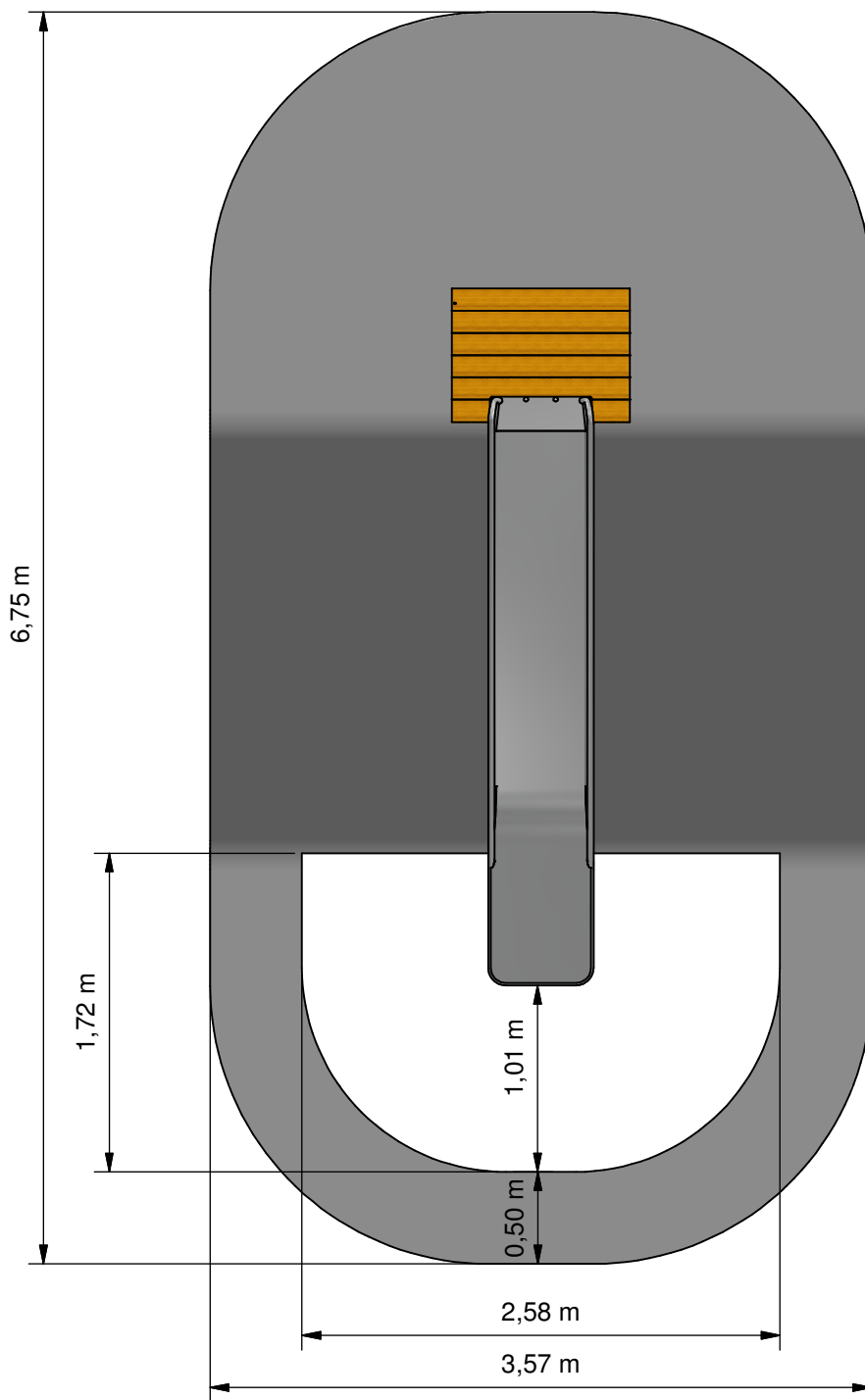




Hill slide



PSTE000.228



- Opvangzone
Impact area
- Obstakelvrije zone
Obstacle free zone



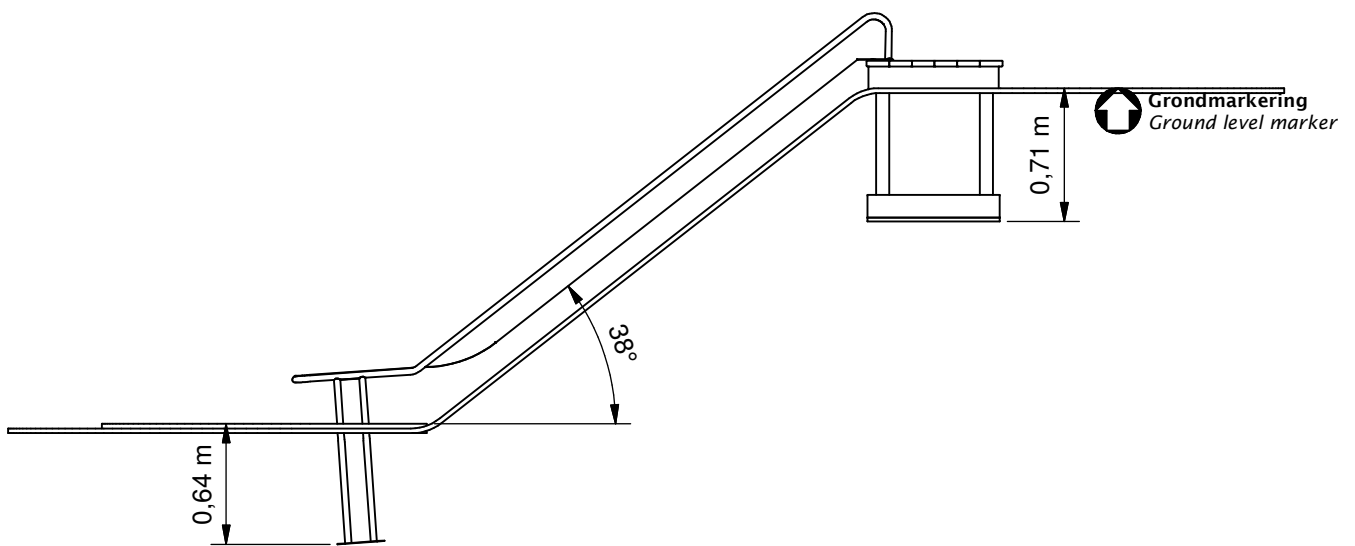
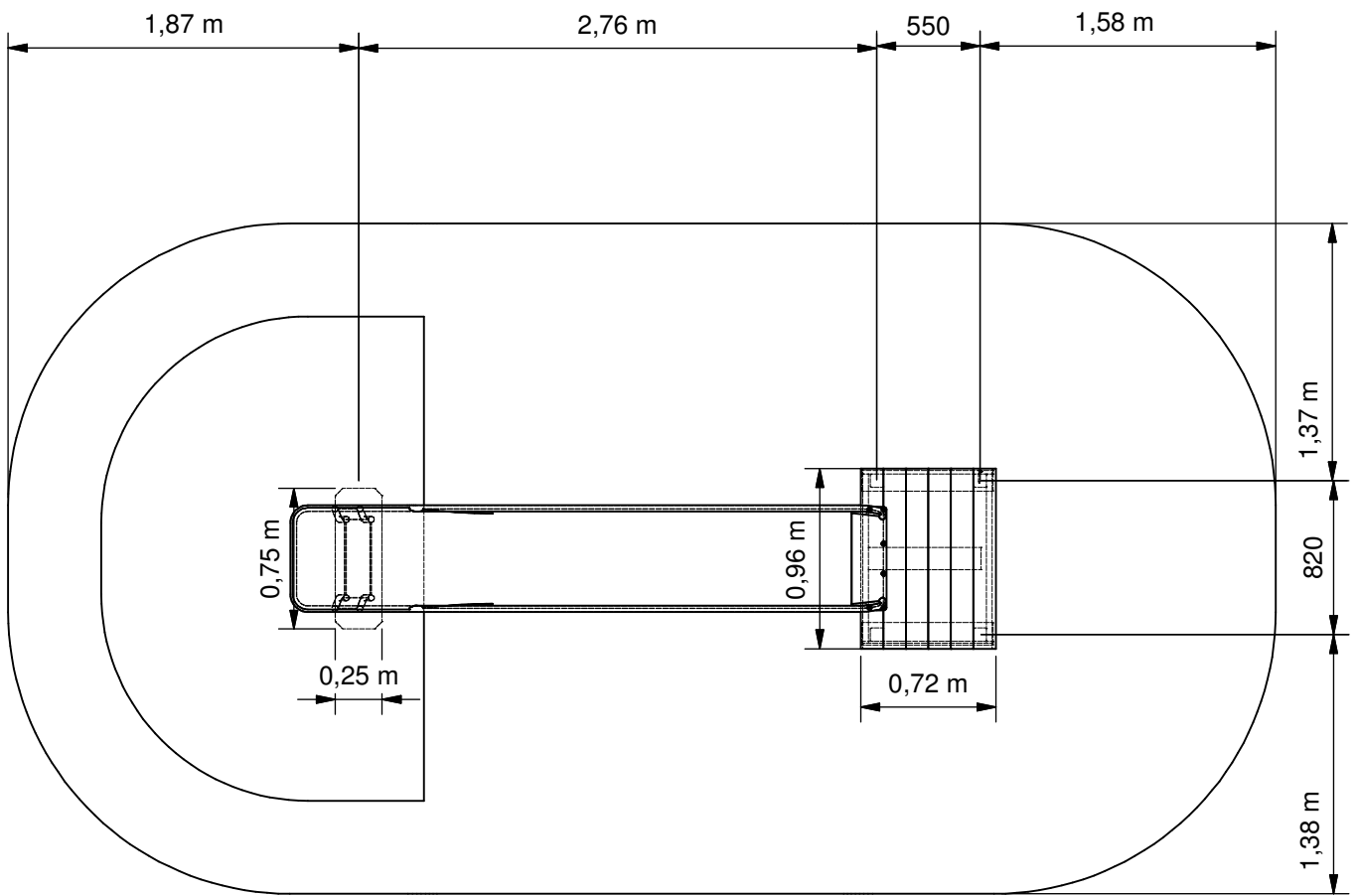
Benaming
Title | Glijbaan 1,95m

Opmerking
Comment | Talud

Datum
Date | 15-7-2015

Tekening
Drawing

TOE PST 000 228 A
Obstakelvrije zone *Obstacle free zone*



Benaming
Title | Glijbaan 1,95m

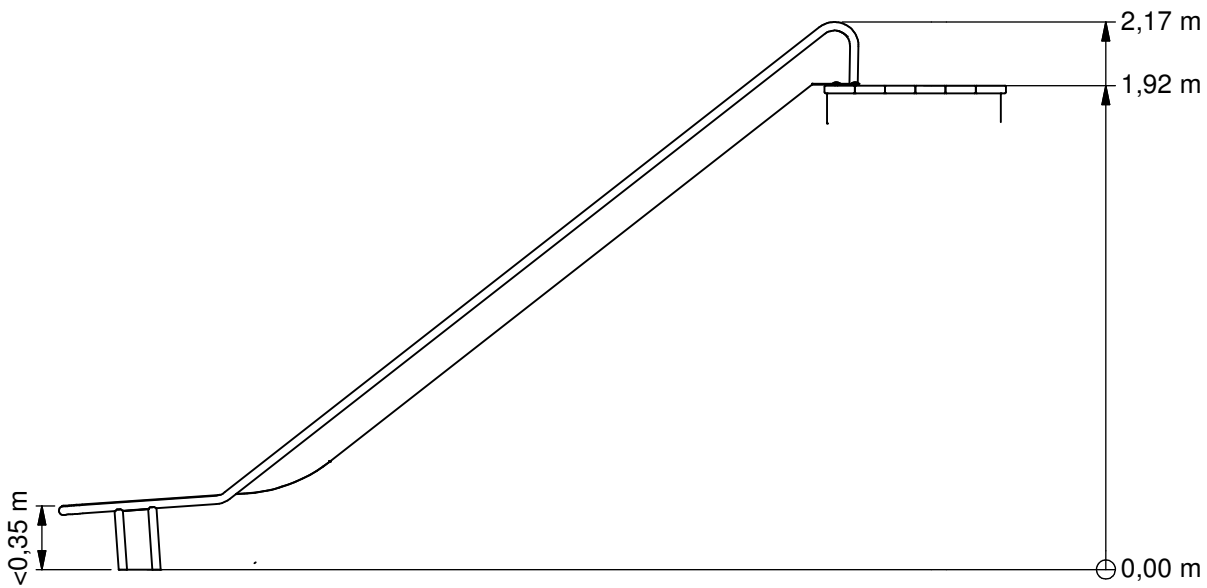
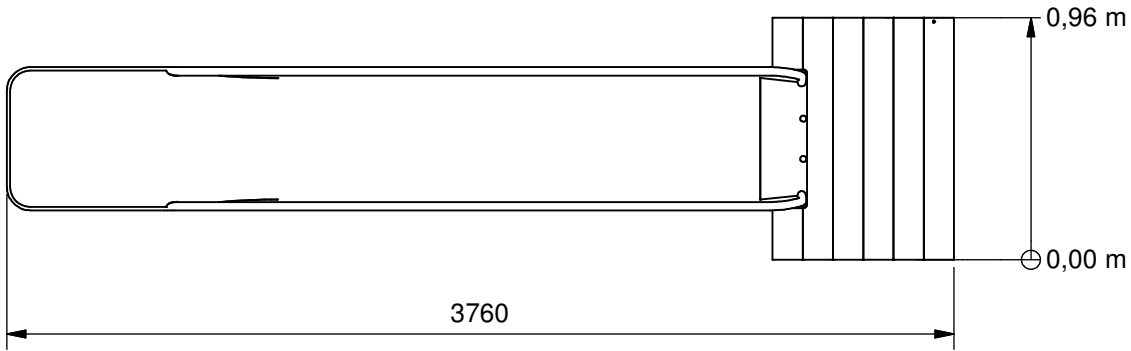
Opmerking
Comment | Talud

Datum
Date | 15-7-2015

Tekening
Drawing

TOE PST 000 228 A

Bodemplan *Groundplan*



Benaming
Title | Glijbaan 1,95m

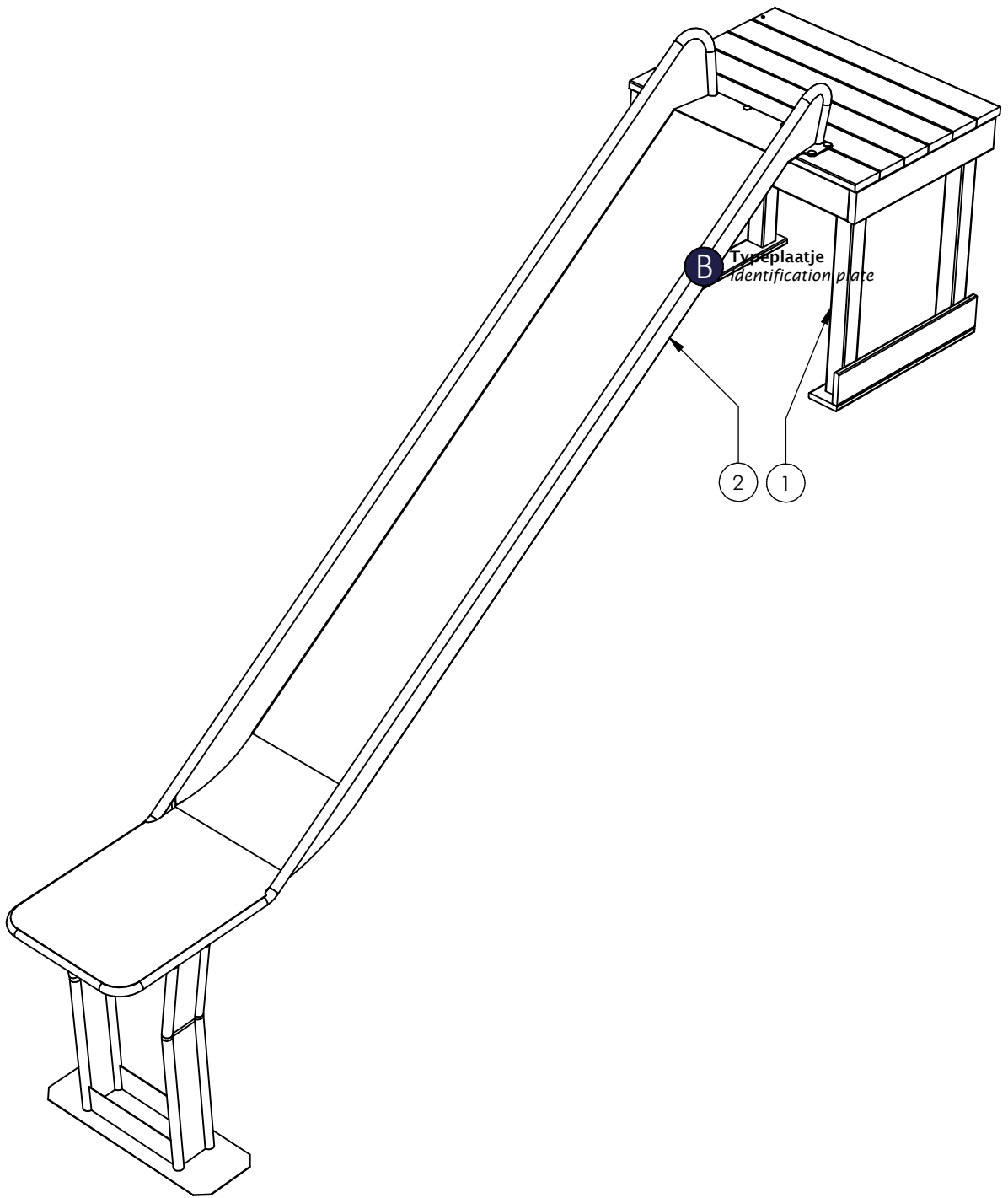
Opmerking
Comment | Talud

Datum
Date | 15-7-2015

Tekening
Drawing

TOE PST 000 228 A

Afmetingen Dimensions



Nr	#	Type	Progr.	Volgnr	Bew.	Rev.	Benaming	Opmerking
1	1	MOD	PST	040	025		Vlonder	80 x 100 cm
2	1	MOD	PST	002	193	A	Glijbaan 195 cm	Module Robina



Benaming
Title | Glijbaan 1,95m

Opmerking
Comment | Talud

Datum
Date | 15-7-2015

Tekening
Drawing

TOE PST 000 228 A

Modules Modules

Geleverde delen:

A - platform 0,8x0,9x0,6 m [50 kg]
 B - glijbaan 3,9x0,8x0,8 m [75 kg]

Bevestiging sets:

1 - slotbout M10 incl. moer en ring (6x)

Montagevolgorde:

1 - graaf de gaten volgens het bodemplan en plaats hierin delen A en B
 2 - monteer B aan A met set 1 op de voorgeboorde gaten
 3 - controleer of het toestel voldoet aan de afmetingen zoals op blad 'afmetingen'
 4 - dicht de gaten en verdicht het zand

Controles:

1 - correcte opbouw en alle bevestigingsmiddelen
 2 - de uiterste hoogte van het uiteinde van de glijbaan (<35 cm)
 3 - controleer de afmetingen van de valbodem t.o.v. het toestel

Supplied parts:

A - platform 0,8x0,9x0,6 m [50 kg]
 B - slide 3,9x0,8x0,8 m [75 kg]

Mounting kits:

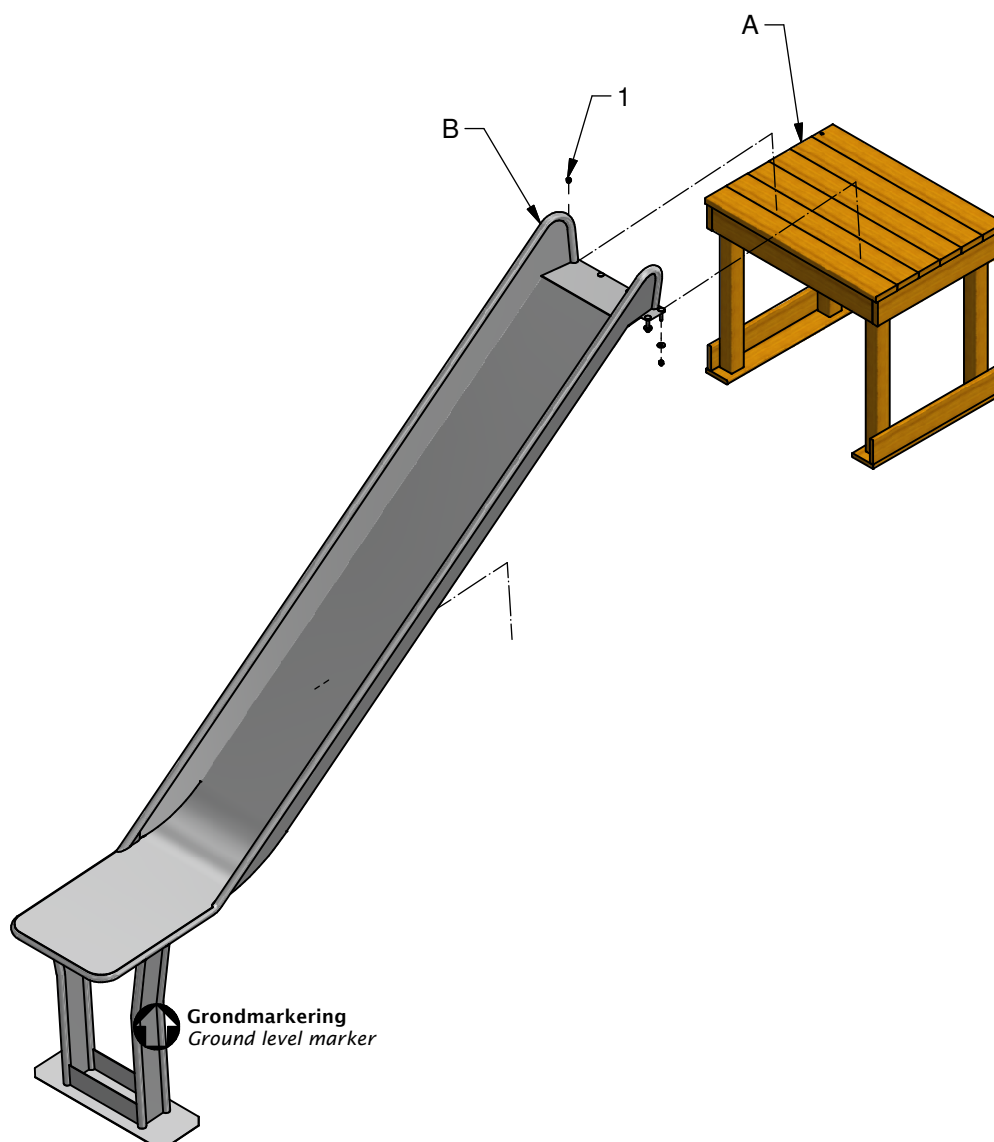
1 - M10 bolt with washer and lock nut (6x)

Assembly sequence:

1 - dig the holes according to the ground plan and place parts A and B
 2 - mount part B to A using set 1 on the pre-drilled holes
 3 - check that the equipment conforms to the dimensions shown on sheet 'dimensions'
 4 - close the holes and compact the sand

Checks:

1 - correct assembly and all the fasteners
 2 - the maximum height of the end of the slide (<35 cm)
 3 - check the dimensions of the safety area compared to the play equipment



PSTE000.228

Hill slide

LOGBOOK

(Onderstaand logboek kan gebruikt worden om te voldoen aan de eisen, gesteld in artikel 14 van het Warenwetbesluit Attractie- en Speeltoestellen)

Type indication	Adventure Play
Product code	PSTE000.228
Name of equipment	Taludglijbaan 1.65 - 1.95m
Maximum height of fall	< 0,6 m
Year of construction	2017
Certificate	031081
inspection authority	TUV Nederland QA BV De Waal 21c, Best - 5684 PH Best
Name manufacturer	BOERplay Hyacintstraat 2 - 4255 HX Nieuwendijk Phone: +31 (0)183 40 23 66 Fax: +31 (0)183 40 35 64
name installer	_____ _____
Description of equipment	Hill slide
Location of equipment	_____
Data about the owner of the play equipment	
Name:	_____
Address:	_____
Postcode and town:	_____
Contact person:	_____
Telephone number:	_____
Data about the administrator of the play equipment	
Name:	_____
Address:	_____
Postcode and town:	_____
Contact person:	_____
Telephone number:	_____

LOGBOOK

Inspection and maintenance intervals



Nr.	Inspection	Maintenance	months between inspections
1	Verify equipment's stability, junctions and missing parts. Inspect bolts, screws and nuts for absence, jams, corrosion and wear.	Add missing parts, secure joints, apply missing fixing agent and replace corroded parts.	1
2	Check suspension for wear.	Replace worn parts and/or remove non-functioning parts.	1
3	Inspect rotating parts such as hinges, rolling-element bearings, etc. for wear and acceptability.	Replace worn parts and/or remove non-functioning parts.	1
4	Check wood for splinters, unacceptable damage and signs of rot. Especially at ground level.	Repair damage. Replace affected wood. Smoothen splintered wood and sharp edges.	1
5	Inspect foundation for stability, tearing and coverage.	Restore foundation and covering material.	3
6	Examine rubber and synthetic parts for wear, damage and break.	Replace original parts.	3
7	Inspect metal for corrosion and damage in the coating.	Restore any damaged coating (after removing rust and applying primer).	6
8	Check ropes, cables, chains and nets for wear and damage. Steel cables and nets which are tensioned must be checked for tension.	Replace parts where necessary. Steel cables and nets must be tensioned.	3
9	Inspect equipment for unsafe changes and additions.	Remove unsafe additions and correct unsafe changes.	1
10	Inspect safety surfaces.	Restore and repair where necessary.	1

Remarks

1. If used intensively, all points require extra attention.
2. Extreme weather conditions and locations may require a higher inspection frequency. Discuss this with the supplier.
3. Vandalism-sensitive locations require stricter inspections, possibly daily.
4. Check the terrain regularly for items that do not belong there, are unsafe or may be used wrongly. Examples are poisonous plants, glass shards, etc. Frequency depends on strain.
5. Remember that bad maintenance leads to unsafe conditions and notably faster impoverishment of the playground area.
6. Replacement parts can be ordered at the manufacturer with the part numbers on the module drawing. Drawings can be found in de user guide.
7. The impact area shall be provided with impact attenuating surface according to the specified falling height.
8. This list is conform the CEN-standard "playground equipment and surfacing NEN-EN 1176-7".

Warenwet

Certificaat van Typeonderzoek Type Examination Certificate


afgegeven door issued by

TÜV Nederland QA BV



aangewezen bij ministeriële beschikking van
4 mei 2012, nr. VGP 3113590

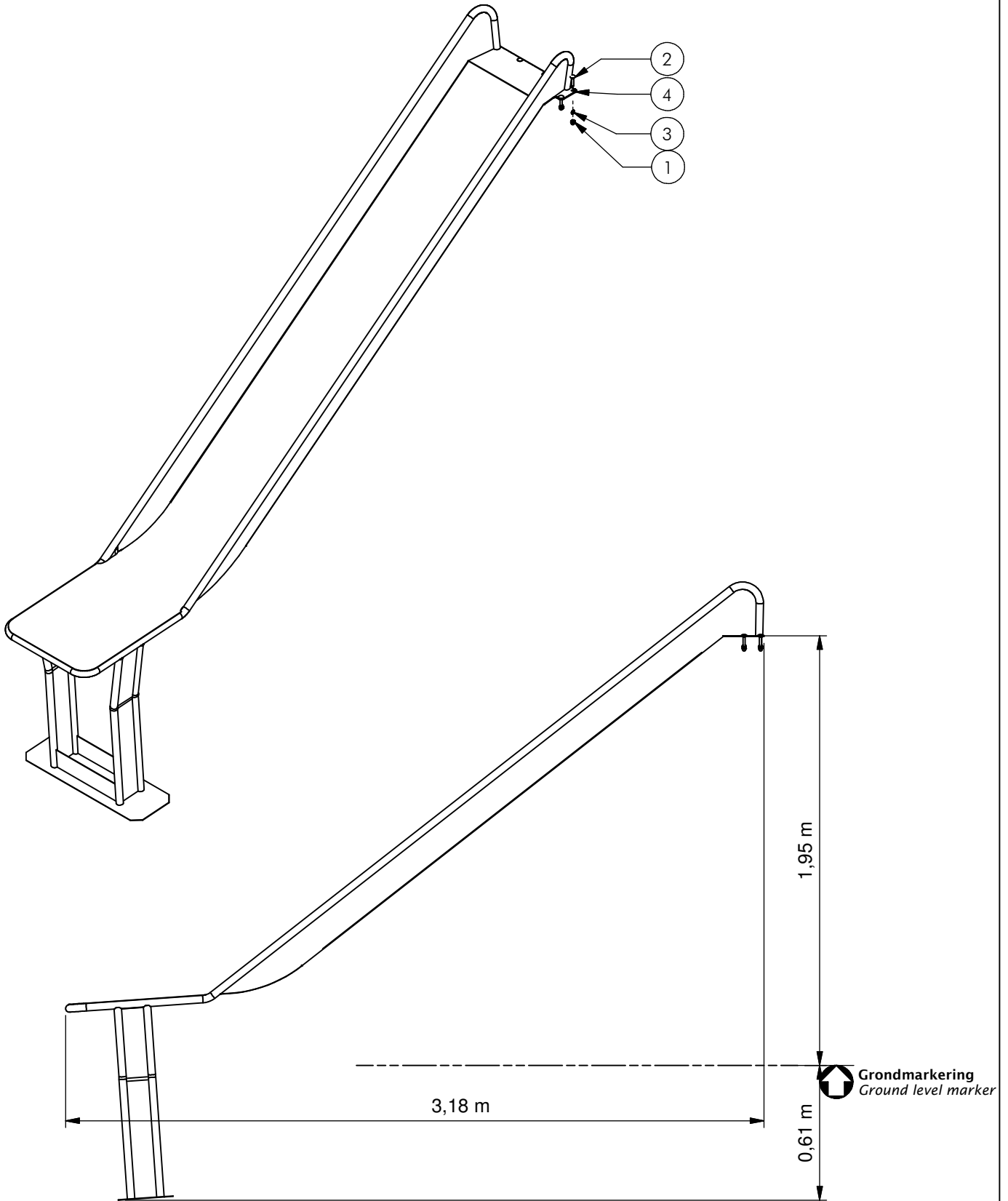
commissioned by departmental order
of 4 May 2012, no. VGP 3113590

Certificaat nr. Certificate nr.	031081TC_20121109	Dossiernr. File nr.	031081TC
Productomschrijving Product description	Taludglijbaan type 2		
Evt. nadere aanduidingen Further indications	hoogteverschil van ca. 1,9 meter		
voor nadere informatie zie bijbehorend rapport met gelijkloidend dossiernr. for further information see associated report with identical file nr.			
Eigenaar / certificaathouder en adres Owner/certificate holder and address	Boer Speeltoestellen B.V. Postbus 10 4255 ZG NIEUWENDIJK		
Soort toestel Category of equipment	Speeltoestel		
Fabrikant Manufacturer	Boer Speeltoestellen B.V. Postbus 10 4255 ZG NIEUWENDIJK		
Type/Serienummer Type/Serial number	PST.000.228 /	in te vullen door de fabrikant to be filled out by the manufacturer	
Jaar van fabricage Year of construction	vanaf since 2012		
Leverancier Supplier	Boer Speeltoestellen B.V. Postbus 10 4255 ZG NIEUWENDIJK		
Jaar van leverantie Year of supply	in te vullen door de leverancier to be filled out by the supplier		
Datum keuring Date of examination	21-06-2012 – 09-11-2012		

TÜV Nederland QA BV, de Waal 21C, NL-5684 PH Best verklaart, dat het bovenaangehaalde toestel voldoet aan de vervaardigingvoorschriften genoemd in het Warenwetbesluit attractie- en speeltoestellen (met als leidraad de normatieve documenten NEN-EN 1176:2008).

TÜV Nederland QA BV declares that the here above mentioned equipment meets the safety and health requirements mentioned in the Dutch law "Warenwetbesluit attractie- en speeltoestellen" (guided by normative documents EN 1176:2008).

<p>Namens het bestuur, For the board,</p> <p>A.C. Boon Directeur</p>	
--	--



Let op: toestel bij voorkeur niet met de glijbaan op het zuiden plaatsen.

Attention: it is advisable not to orient playground equipment with the slide facing south

Nr	#	Type	Progr.	Volgnr	Bew.	Rev.	Benaming	Opmerking
1	6	BSR	011	010	020		DOPMOER	BORG RVS M10
2	6	BSR	026	010	050		Slotbout	M10 x 50 - RVS A2-70
3	6	BSR	030	010	002		SLUITRING	M10
4	1	SME	VRB	614	320	C	Glijbaan	195 cm



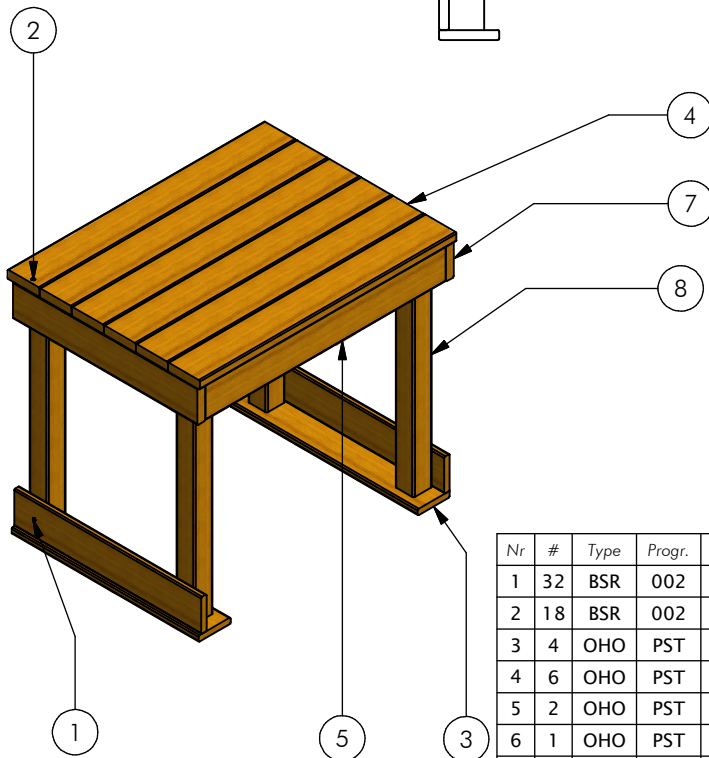
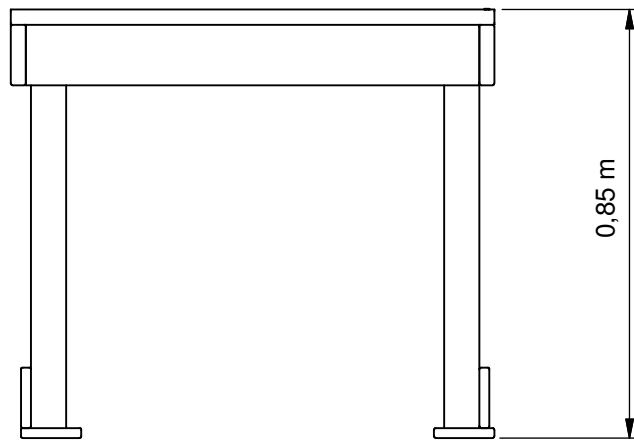
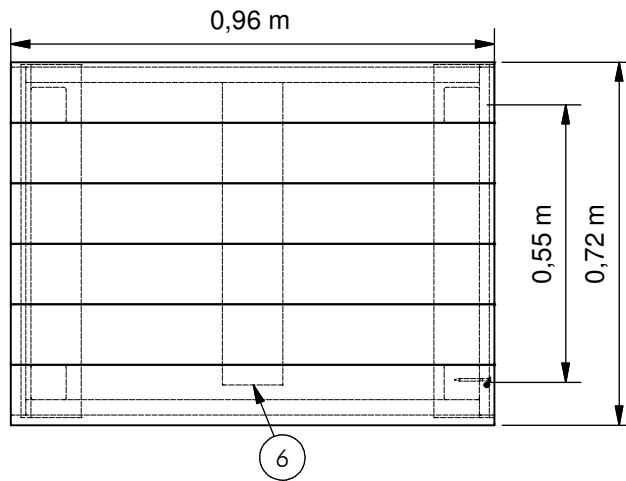
Benaming
Title: Glijbaan 195 cm

Opmerking
Comment: Module Robina

Datum
Date: 21-12-2012

Tekening
Drawing

MOD PST 002 193 A
Samenstelling module Assembly module



Nr	#	Type	Progr.	Volgnr	Bew.	Rev.	Benaming	Opmerking
1	32	BSR	002	005	070		Schroef Assy	5 x 70 - RVS A2-70
2	18	BSR	002	005	050		Schroef Assy	5 x 50 - RVS A2-70
3	4	OHO	PST	211	070		Standaard plank 120x20	Lengte = 700
4	6	OHO	PST	221	100		Standaardplank 120x30	Lengte = 1000
5	2	OHO	PST	221	090		Standaardplank 120x30	Lengte = 900
6	1	OHO	PST	221	060		Standaardplank 120x30	Lengte = 600
7	2	OHO	PST	221	070		Standaardplank 120x30	Lengte = 700
8	4	OHO	PST	307	080		70 mm Vierkante paal	800 mm Lengte



Benaming
Title Vlonder

Opmerking
Comment 80 x 100 cm

Datum
Date 8-7-2015

Tekening
Drawing

MOD PST 040 025

Samenstelling module Assembly module