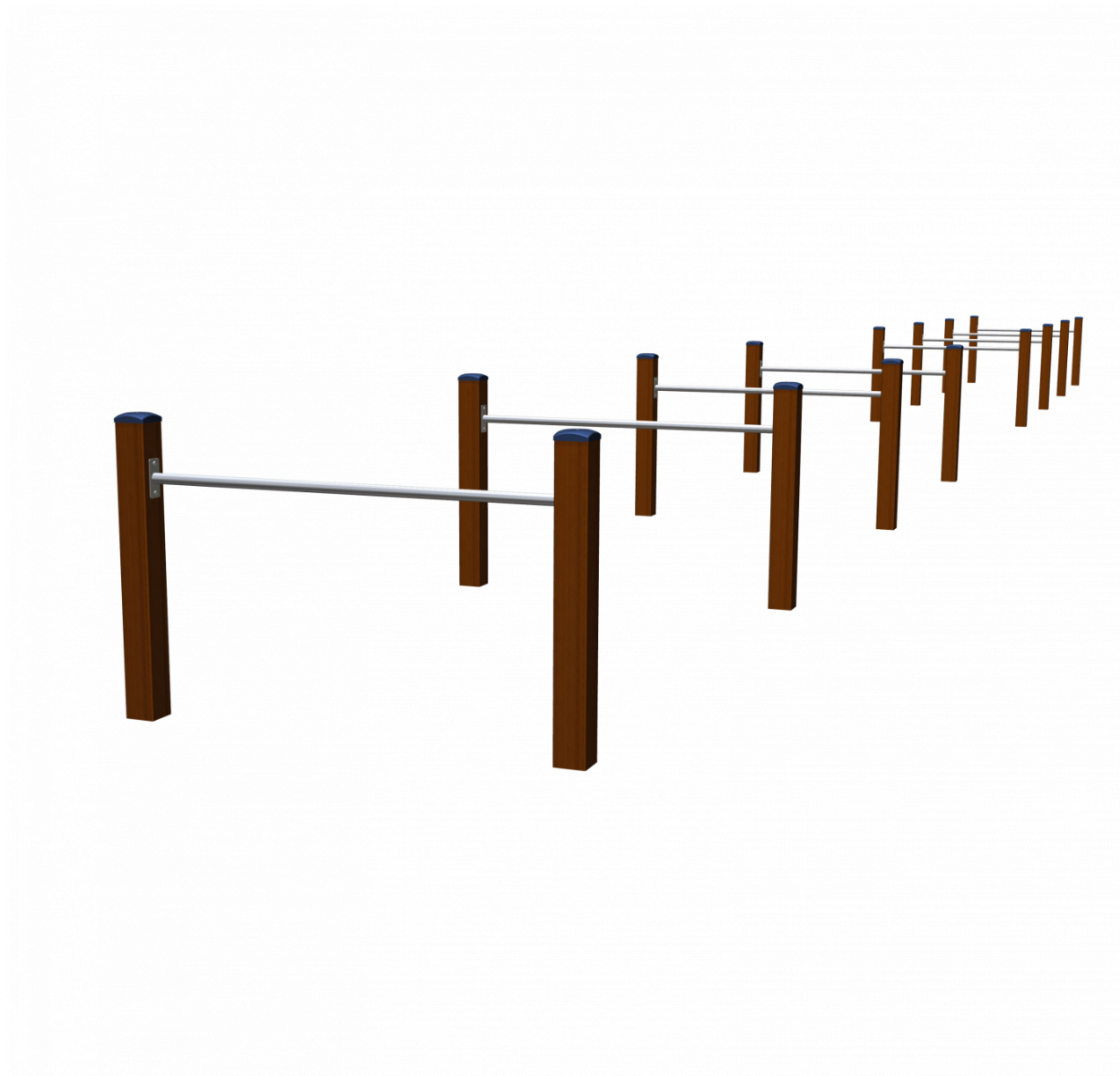
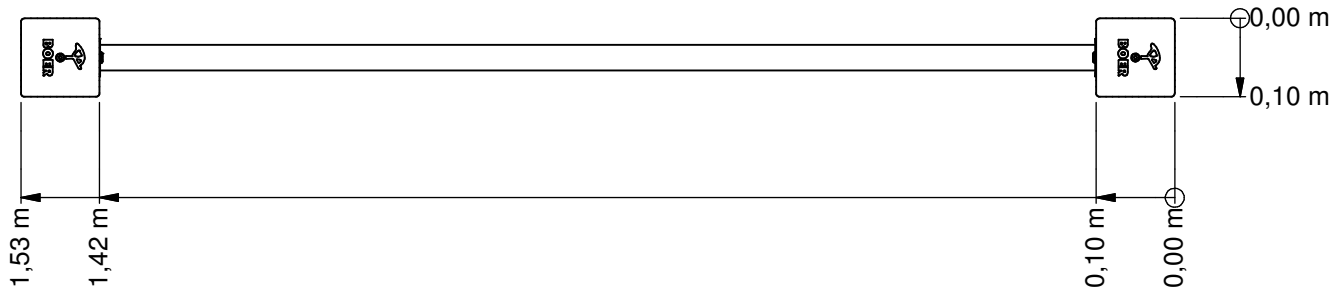




# Hurdle high



SOLE030.272



Benaming  
Title Hoge Horde

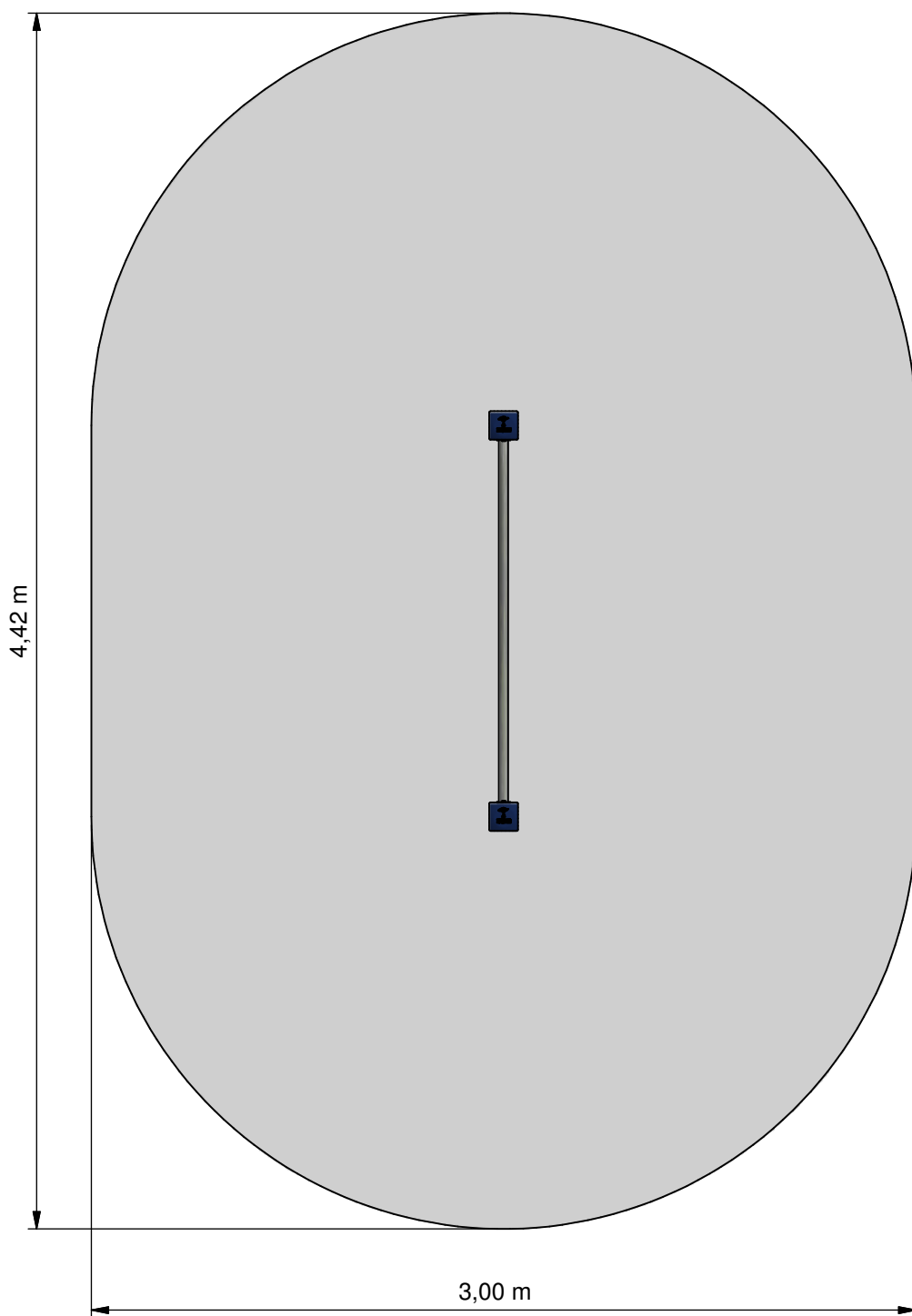
Opmerking  
Comment Hardhout

Datum  
Date 23-10-2012

Tekening  
Drawing

**TOE SOL 030 272**

*Afmetingen Dimensions*



- Opvangzone  
Impact area
- Obstakelvrije zone  
Obstacle free zone



Benaming  
Title Hoge Horde

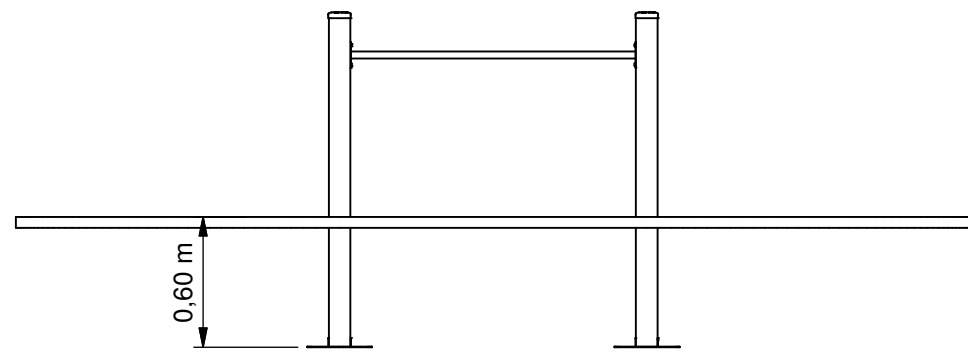
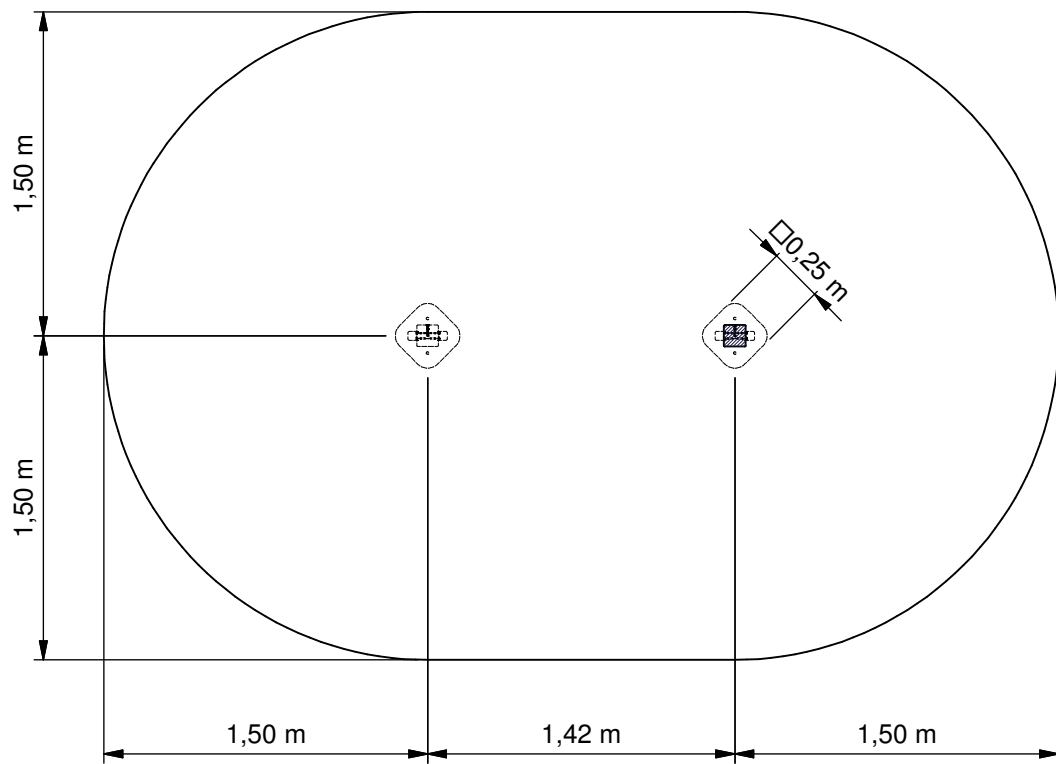
Opmerking  
Comment Hardhout

Datum  
Date 23-10-2012

Tekening  
Drawing

**TOE SOL 030 272**

Obstakelvrije zone *Obstacle free zone*

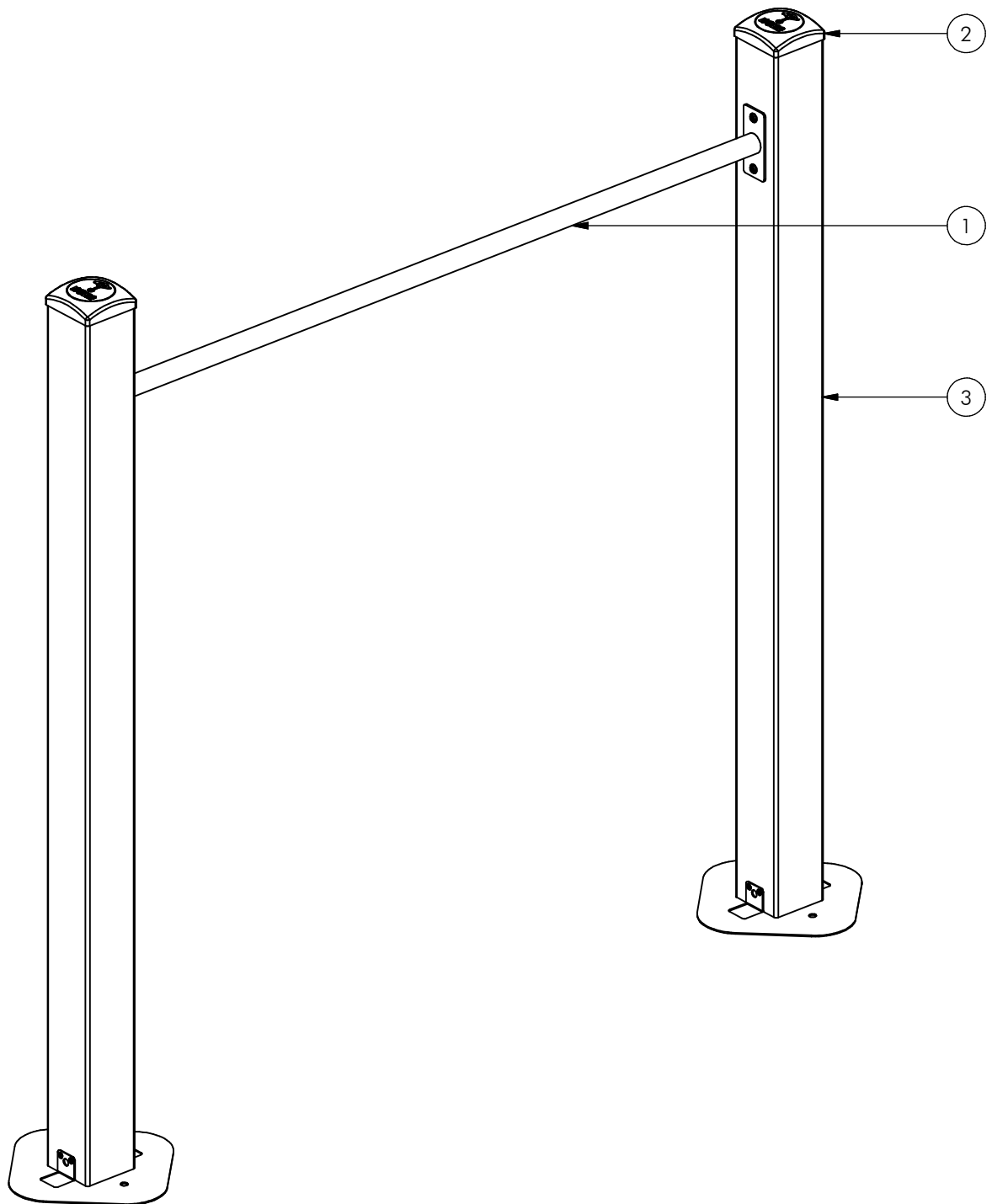


Benaming  
 Title Hoge Horde  
 Opmerking  
 Comment Hardhout  
 Datum  
 Date 23-10-2012

Tekening  
 Drawing

TOE SOL 030 272

Bodemplan Groundplan



Nr.	#	Type	Progr.	Volgnr.	Bew.	Rev.	Benaming	Opmerking
1	1	MOD	VRB	HHT	050		BUIS	DIAGONAAL
2	2	MOD	VRB	HHT	069		Paalkap	100x100
3	2	MOD	VRB	HHT	202		Staander V4	93 CM



Benaming  
Title Hoge Horde

Opmerking  
Comment Hardhout

Datum  
Date 23-10-2012

Tekening  
Drawing

TOE SOL 030 272

Modules Modules

# SOLE030.272

Hurdle high

## LOGBOOK

(Onderstaand logboek kan gebruikt worden om te voldoen aan de eisen, gesteld in artikel 14 van het Warenwetbesluit Attractie- en Speeltoestellen)

Type indication	Sports equipment
Product code	SOLE030.272
Name of equipment	Hoge horde hardhout
Maximum height of fall	0,9 m
Year of construction	2017
Certificate	0183402366
inspection authority	NVT -
Name manufacturer	BOERplay Hyacintstraat 2 - 4255 HX Nieuwendijk Phone: +31 (0)183 40 23 66 Fax: +31 (0)183 40 35 64
name installer	_____ _____
Description of equipment	Hurdle high
Location of equipment	_____
Data about the owner of the play equipment	
Name:	_____
Address:	_____
Postcode and town:	_____
Contact person:	_____
Telephone number:	_____
Data about the administrator of the play equipment	
Name:	_____
Address:	_____
Postcode and town:	_____
Contact person:	_____
Telephone number:	_____

# LOGBOOK

## Inspection and maintenance intervals



Nr.	Inspection	Maintenance	months between inspections
1	Verify equipment's stability, junctions and missing parts. Inspect bolts, screws and nuts for absence, jams, corrosion and wear.	Add missing parts, secure joints, apply missing fixing agent and replace corroded parts.	1
2	Check suspension for wear.	Replace worn parts and/or remove non-functioning parts.	1
3	Inspect rotating parts such as hinges, rolling-element bearings, etc. for wear and acceptability.	Replace worn parts and/or remove non-functioning parts.	1
4	Check wood for splinters, unacceptable damage and signs of rot. Especially at ground level.	Repair damage. Replace affected wood. Smoothen splintered wood and sharp edges.	1
5	Inspect foundation for stability, tearing and coverage.	Restore foundation and covering material.	3
6	Examine rubber and synthetic parts for wear, damage and break.	Replace original parts.	3
7	Inspect metal for corrosion and damage in the coating.	Restore any damaged coating (after removing rust and applying primer).	6
8	Check ropes, cables, chains and nets for wear and damage. Steel cables and nets which are tensioned must be checked for tension.	Replace parts where necessary. Steel cables and nets must be tensioned.	3
9	Inspect equipment for unsafe changes and additions.	Remove unsafe additions and correct unsafe changes.	1
10	Inspect safety surfaces.	Restore and repair where necessary.	1

## Remarks

1. If used intensively, all points require extra attention.
2. Extreme weather conditions and locations may require a higher inspection frequency. Discuss this with the supplier.
3. Vandalism-sensitive locations require stricter inspections, possibly daily.
4. Check the terrain regularly for items that do not belong there, are unsafe or may be used wrongly. Examples are poisonous plants, glass shards, etc. Frequency depends on strain.
5. Remember that bad maintenance leads to unsafe conditions and notably faster impoverishment of the playground area.
6. Replacement parts can be ordered at the manufacturer with the part numbers on the module drawing. Drawings can be found in de user guide.
7. The impact area shall be provided with impact attenuating surface according to the specified falling height.
8. This list is conform the CEN-standard "playground equipment and surfacing NEN-EN 1176-7".

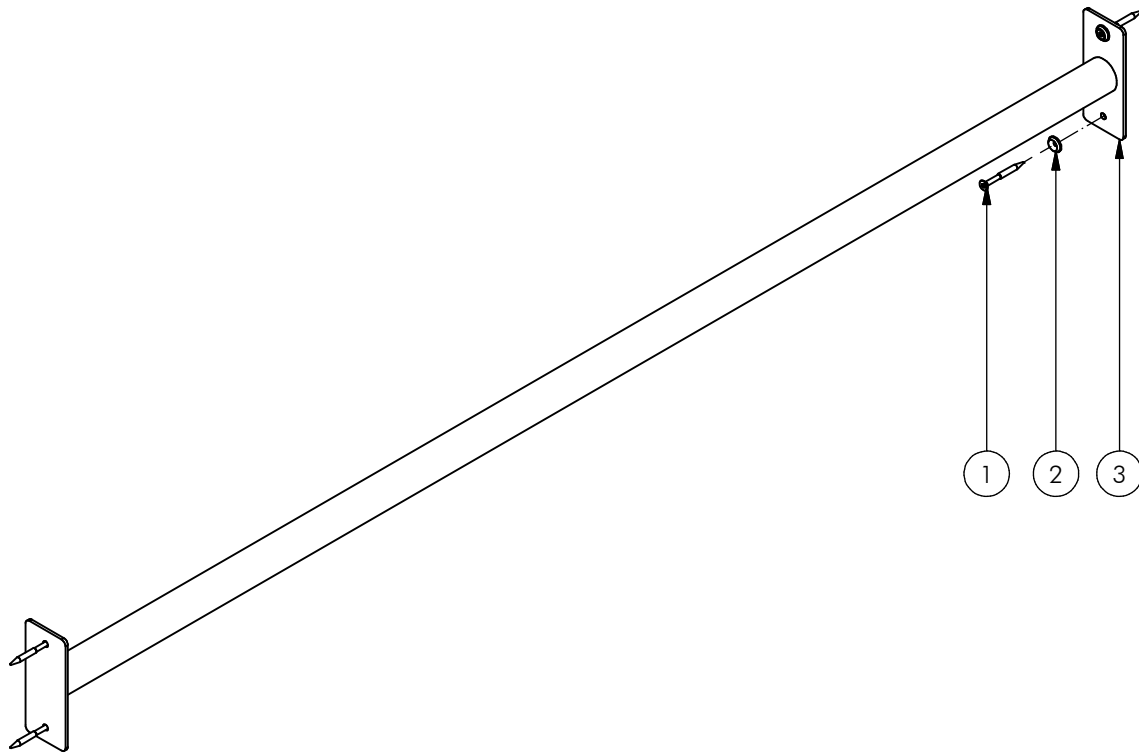


Dit toestel is geen speeltoestel conform het warenwetbesluit attractie- en speeltoestellen, en is dus niet als zodanig gecertificeerd.

*This equipment is not playground equipment, so it has not been certified as such.*







Nr	#	Type	Progr.	Volgnr	Bew.	Rev.	Benaming	Opmerking
1	4	BSR	002	005	050		Schroef Assy	5 x 50 - RVS A2-70
2	4	BSR	036	005	015		Facet ring	M5 - RVS A2-70
3	1	SME	VRB	022	320	D	SYSTEEMBUIS	DIAGONAAL



Benaming  
Title | BUIS

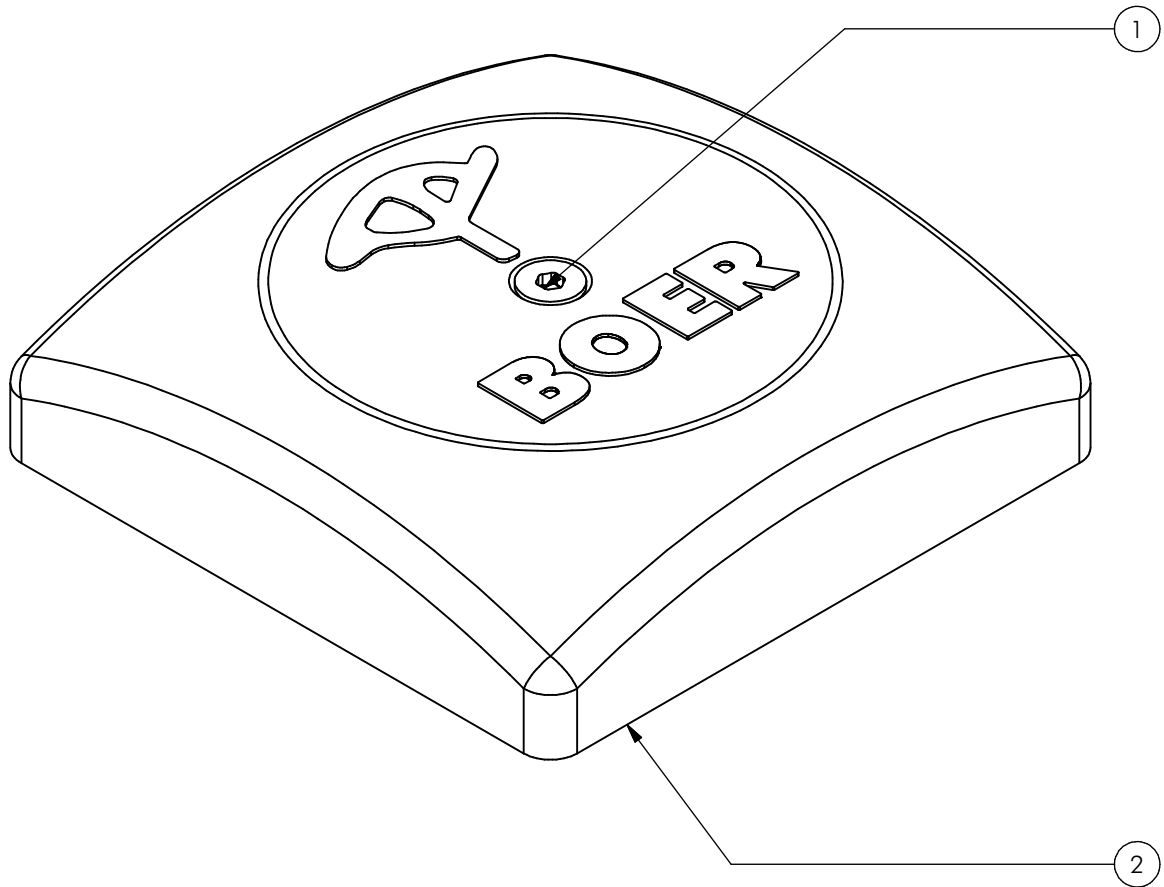
Opmerking  
Comment | DIAGONAAL

Datum  
Date | 25-9-2006

Tekening  
Drawing

# MOD VRB HHT 050

Samenstelling module *Assembly module*



Nr	#	Type	Progr.	Volgnr	Bew.	Rev.	Benaming	Opmerking
1	1	BSR	002	005	050		SCHROEF	5 x 50
2	1	OME	KAP	100		B	Paalkap 100x100	Aluminium



Benaming  
Title Paalkap

Opmerking  
Comment 100x100

Datum  
Date 16-4-2014

Tekening  
Drawing

# MOD VRB HHT 069

Samenstelling module *Assembly module*



Nr.	#	Type	Progr.	Volgnr.	Bew.	Rev.	Benaming	Opmerking
1	5	BSR	002	005	050		Schroef Assy	5 x 50 - RVS A2-70
2	1	OHO	HHT	100	022		Stander HHT	100x100, L=1530
3	1	OME	VRB	903	VZP	C	Voetplaat	100 x 100



Benaming  
Title | Staander V4

Opmerking  
Comment | 93 CM

Datum  
Date | 7-4-2009

Tekening  
Drawing

# MOD VRB HHT 202

Modules Modules