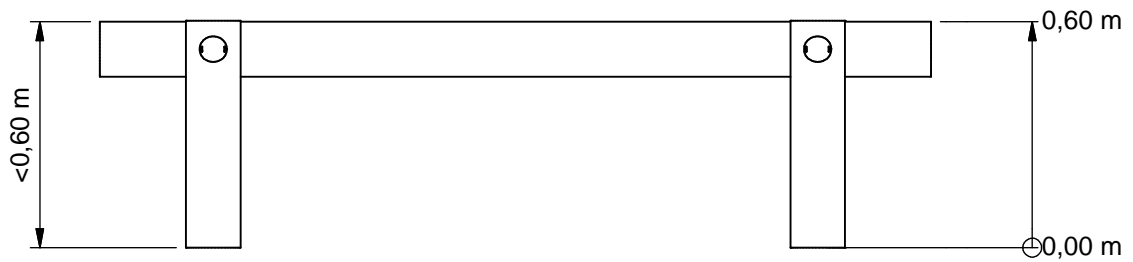
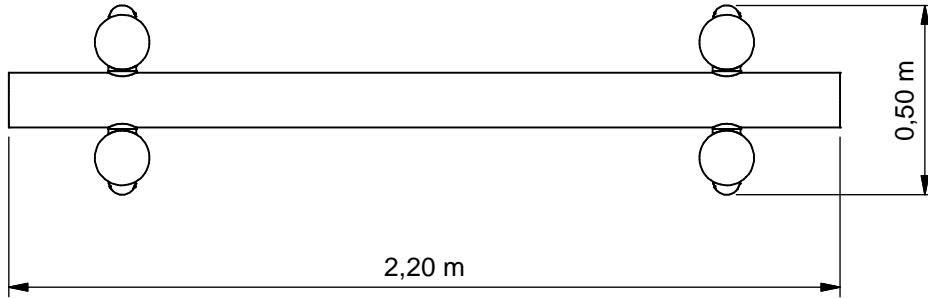




Balancing beam high



SPTTE100.080



Benaming
Title Hoge evenwichtsbalk

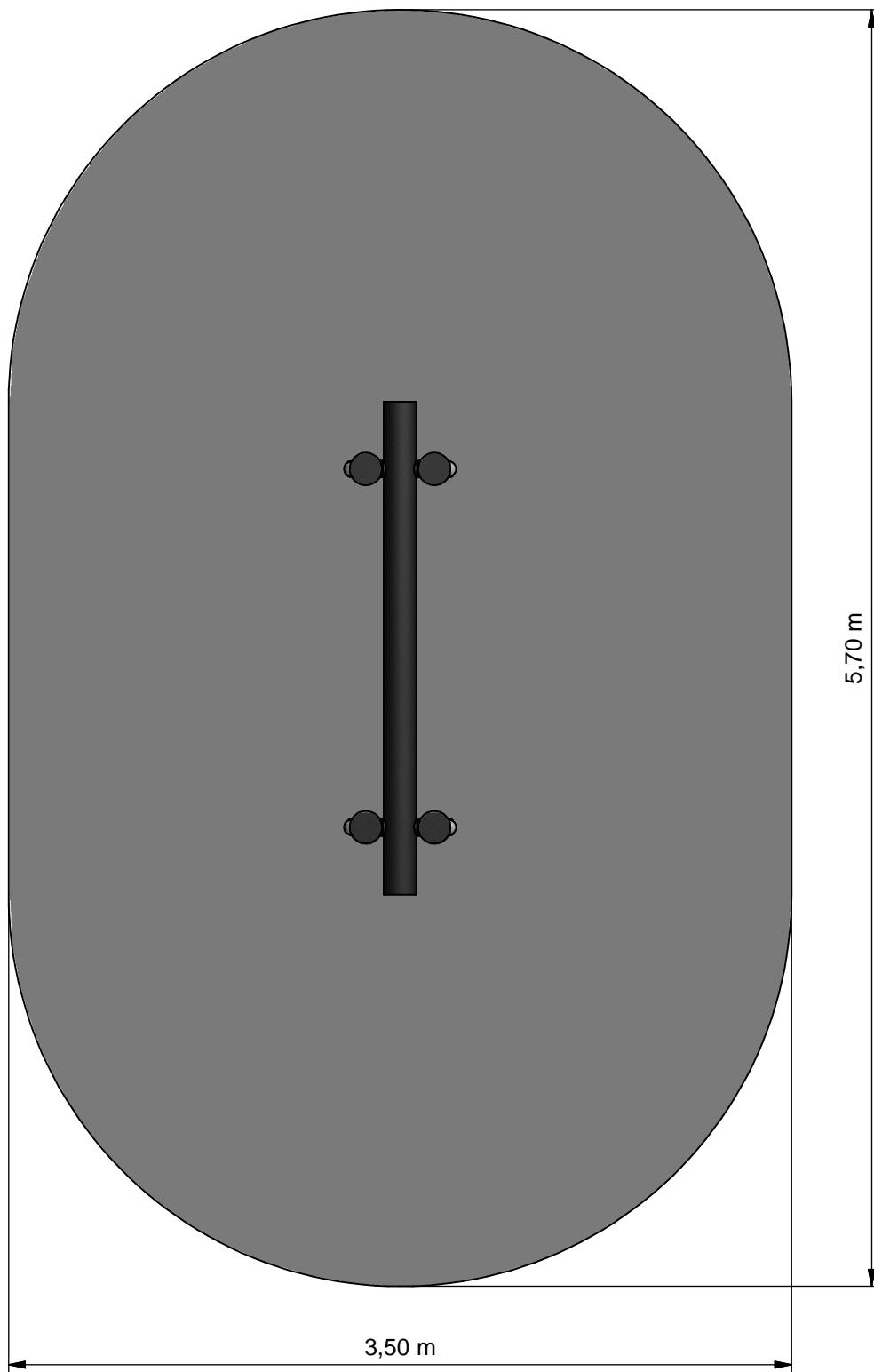
Opmerking
Comment Trimbaan

Datum
Date 8-4-2015

Tekening
Drawing

TOE SPT 100 080

Hoofdafmetingen *Main dimensions*



- Opvangzone
Impact area
- Obstakelvrije zone
Obstacle free zone

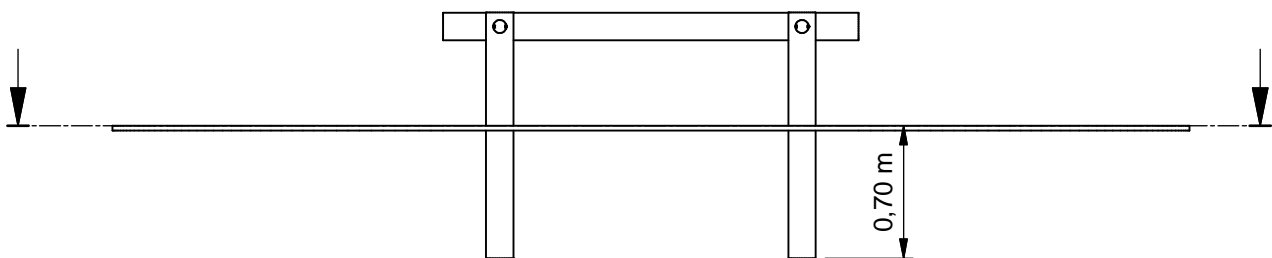
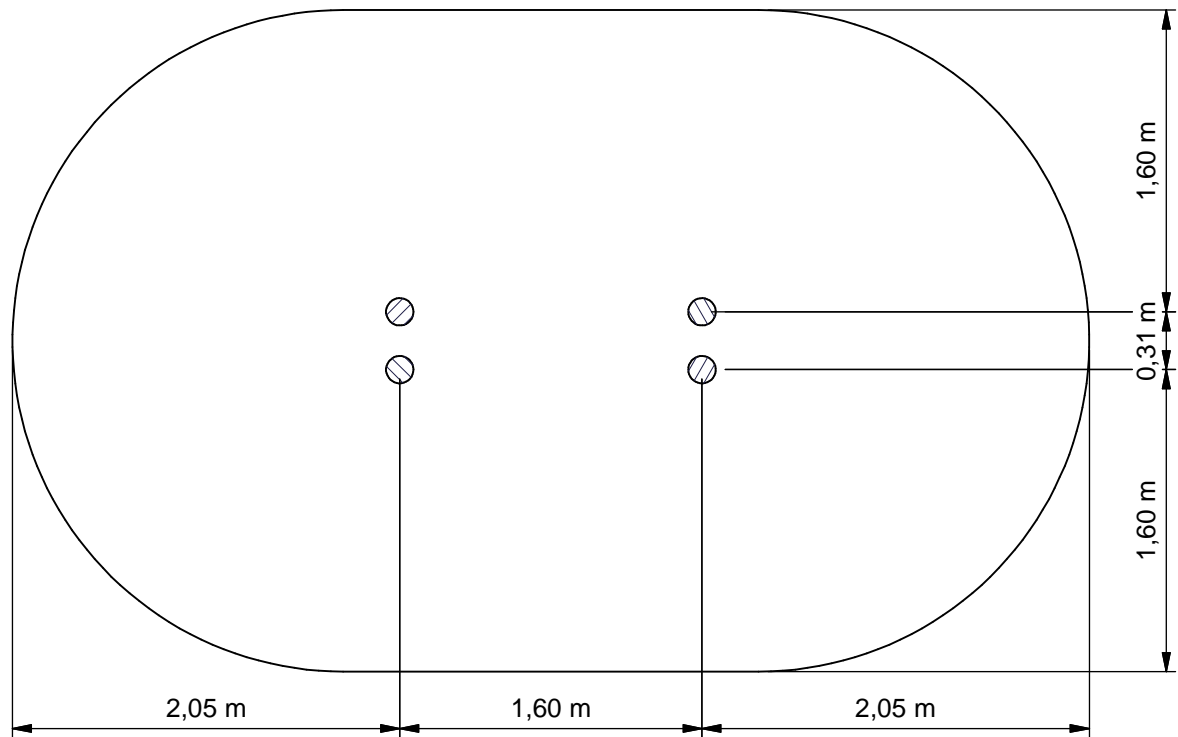


Benaming | Hoge evenwichtsbalk
 Title
 Opmerking | Trimbaan
 Comment
 Datum | 8-4-2015
 Date

Tekening
 Drawing

TOE SPT 100 080

Obstakelvrije zone *Obstacle free zone*



Benaming
 Title Hoge evenwichtsbalk
 Opmerking
 Comment Trimbaan
 Datum
 Date 8-4-2015

Tekening
 Drawing

TOE SPT 100 080

Bodemplan *Groundplan*

Geleverde modules:

Zie tabel

Supplied modules:

See table

Montageinstructie:

- De hoofdmaten geven de maten van de staanders en vloeren aan
- De detailtekeningen geven specifiek de maten van de verbindingen aan
- De modules met buizen zijn op de tekeningen bemaat op bovenkant kopplaat
- Overige modules zijn bemaat op de bovenkant (klimwanden, paalkappen, etc.)

Assembly instruction:

- The main dimensions indicate the dimensions of the posts and floors
- The detailed dimensions show the specific dimensions of the connections
- The modules which contain tubes are dimensioned at the top of the flanges
- Other modules are dimensioned at the top (climbing walls, caps for the posts, etc.)

Montagevolgorde:

- 1 - Graaf de gaten volgens het bodemplan
- 2 - Plaats 1, verbind deze met 2
- 3 - Controleer of het toestel voldoet aan de afmetingen zoals op blad 'afmetingen'
- 4 - Dicht de gaten en verdicht het zand

Assembly sequence:

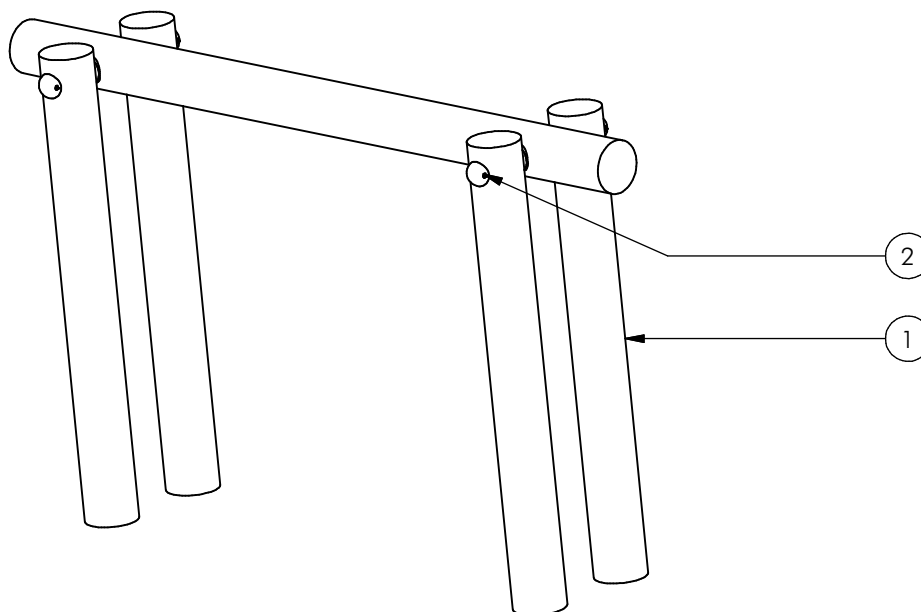
- 1 - Dig the holes according to the ground plan
- 2 - Place 1, attach it with 2
- 3 - Check that the equipment conforms to the dimensions shown on sheet 'dimensions'
- 4 - Close the holes and compact the sand

Controles:

- 1 - Correcte opbouw en alle bevestigingsmiddelen
- 2 - Controleer de afmetingen van de valbodem t.o.v. het toestel

Checks:

- 1 - Correct assembly and all the fasteners
- 2 - Check the dimensions of the safety area with regard to the play equipment



Nr	#	Type	Progr.	Volgnr	Bew.	Rev.	Benaming	Opmerking
1	1	MOD	SPT	100	080		Rebo Pakket	SPT.100.080
2	2	MOD	JGP	004	051		Montage buis doppen grijs	h.o.h. 306



Benaming
Title Hoge evenwichtsbalk

Opmerking
Comment Trimbaan

Datum
Date 8-4-2015

Tekening
Drawing

TOE SPT 100 080

Modules Modules

SPTE100.080

Balancing beam high

LOGBOOK

(Onderstaand logboek kan gebruikt worden om te voldoen aan de eisen, gesteld in artikel 14 van het Warenwetbesluit Attractie- en Speeltoestellen)

Type indication	Sports equipment
Product code	SPTE100.080
Name of equipment	Evenwichtsbalk recht hoog
Maximum height of fall	0,6 m
Year of construction	2017
Certificate	0183402366
inspection authority	NVT -
Name manufacturer	BOERplay Hyacintstraat 2 - 4255 HX Nieuwendijk Phone: +31 (0)183 40 23 66 Fax: +31 (0)183 40 35 64
name installer	_____ _____
Description of equipment	Balancing beam high
Location of equipment	_____
Data about the owner of the play equipment	
Name:	_____
Address:	_____
Postcode and town:	_____
Contact person:	_____
Telephone number:	_____
Data about the administrator of the play equipment	
Name:	_____
Address:	_____
Postcode and town:	_____
Contact person:	_____
Telephone number:	_____

LOGBOOK

Inspection and maintenance intervals



Nr.	Inspection	Maintenance	months between inspections
1	Verify equipment's stability, junctions and missing parts. Inspect bolts, screws and nuts for absence, jams, corrosion and wear.	Add missing parts, secure joints, apply missing fixing agent and replace corroded parts.	1
2	Check suspension for wear.	Replace worn parts and/or remove non-functioning parts.	1
3	Inspect rotating parts such as hinges, rolling-element bearings, etc. for wear and acceptability.	Replace worn parts and/or remove non-functioning parts.	1
4	Check wood for splinters, unacceptable damage and signs of rot. Especially at ground level.	Repair damage. Replace affected wood. Smoothen splintered wood and sharp edges.	1
5	Inspect foundation for stability, tearing and coverage.	Restore foundation and covering material.	3
6	Examine rubber and synthetic parts for wear, damage and break.	Replace original parts.	3
7	Inspect metal for corrosion and damage in the coating.	Restore any damaged coating (after removing rust and applying primer).	6
8	Check ropes, cables, chains and nets for wear and damage. Steel cables and nets which are tensioned must be checked for tension.	Replace parts where necessary. Steel cables and nets must be tensioned.	3
9	Inspect equipment for unsafe changes and additions.	Remove unsafe additions and correct unsafe changes.	1
10	Inspect safety surfaces.	Restore and repair where necessary.	1

Remarks

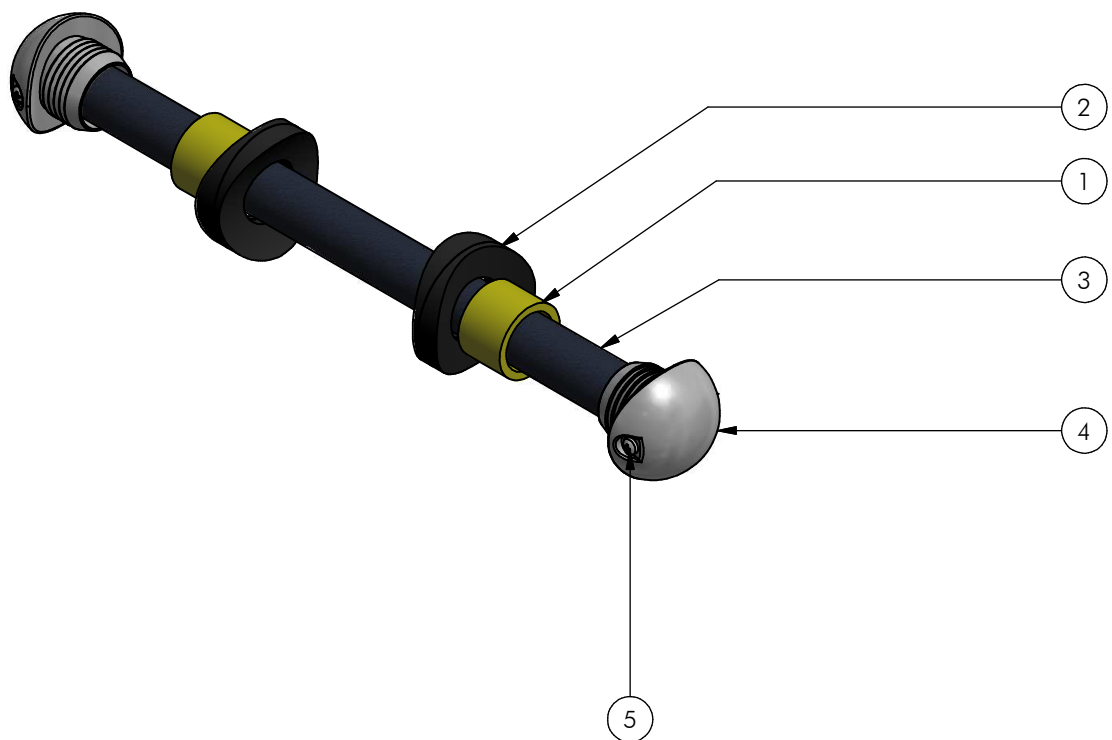
1. If used intensively, all points require extra attention.
2. Extreme weather conditions and locations may require a higher inspection frequency. Discuss this with the supplier.
3. Vandalism-sensitive locations require stricter inspections, possibly daily.
4. Check the terrain regularly for items that do not belong there, are unsafe or may be used wrongly. Examples are poisonous plants, glass shards, etc. Frequency depends on strain.
5. Remember that bad maintenance leads to unsafe conditions and notably faster impoverishment of the playground area.
6. Replacement parts can be ordered at the manufacturer with the part numbers on the module drawing. Drawings can be found in de user guide.
7. The impact area shall be provided with impact attenuating surface according to the specified falling height.
8. This list is conform the CEN-standard "playground equipment and surfacing NEN-EN 1176-7".



Dit toestel is geen speeltoestel conform het warenwetbesluit attractie- en speeltoestellen, en is dus niet als zodanig gecertificeerd.

This equipment is not playground equipment, so it has not been certified as such.





Nr	#	Type	Progr.	Volgnr	Bew.	Rev.	Benaming	Opmerking
1	2	KST	JGP	003	010		Vulring	art.nr. 80395000050
2	4	KST	JGP	004	080		Vulschijf	art.nr. 80395000040
3	1	OME	318	048	502		Pijp Ø31.8x2.6	L=481
4	2	KST	JGP	001	070		Inslagdop grijs	
5	4	BSV	005	005	025		Zebra Pias	4,8x25 - VZ 8.8



Benaming
Title | Montage buis doppen grijs

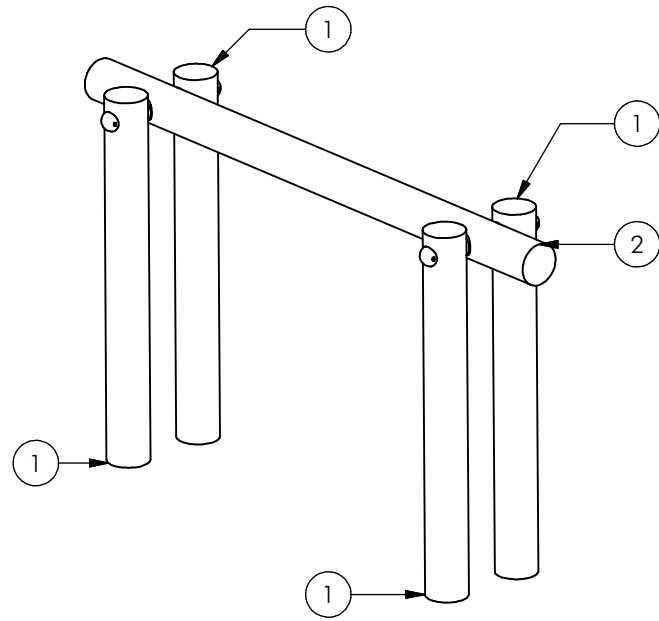
Opmerking
Comment | h.o.h. 306

Datum
Date | 16-3-2015

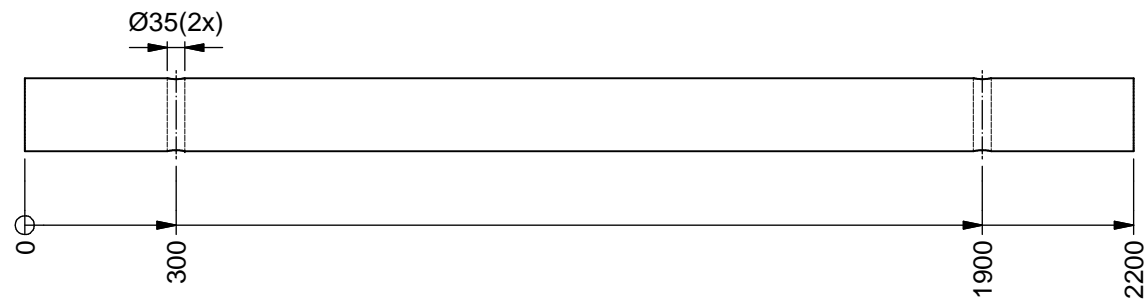
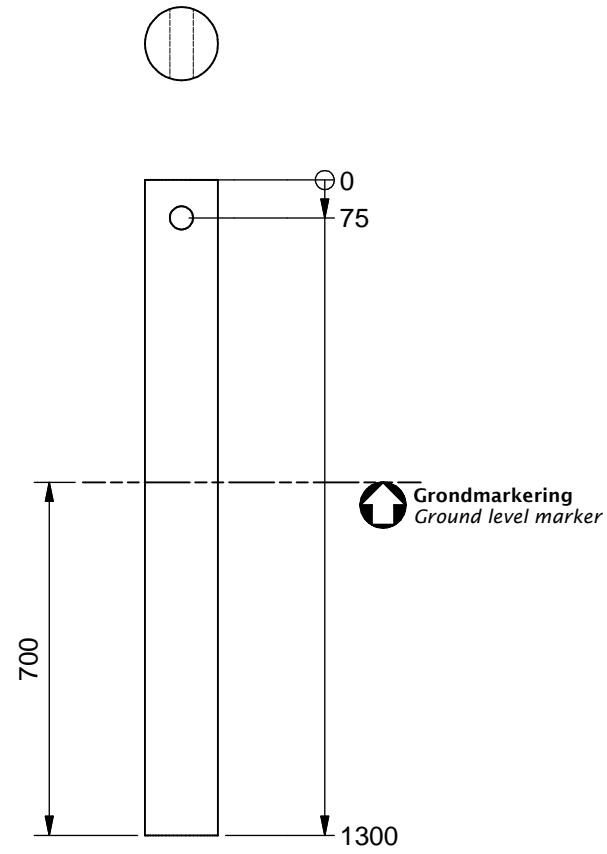
Tekening
Drawing

MOD JGP 004 051

Samenstelling module *Assembly module*



Nr	#	Type	Progr.	Volgnr	Bew.	Rev.	Benaming	Opmerking
1	4	ORE	SPT	001	004		Rebo Ø145	L=1300
2	1	ORE	SPT	001	005		Rebo Ø145	L=2200



Gaten Ø46 tenzij anders vermeld



Benaming
Title Rebo Pakket
Opmerking
Comment SPT.100.080
Datum
Date 8-4-2015

Tekening
Drawing

MOD SPT 100 080

Samenstelling module Assembly module