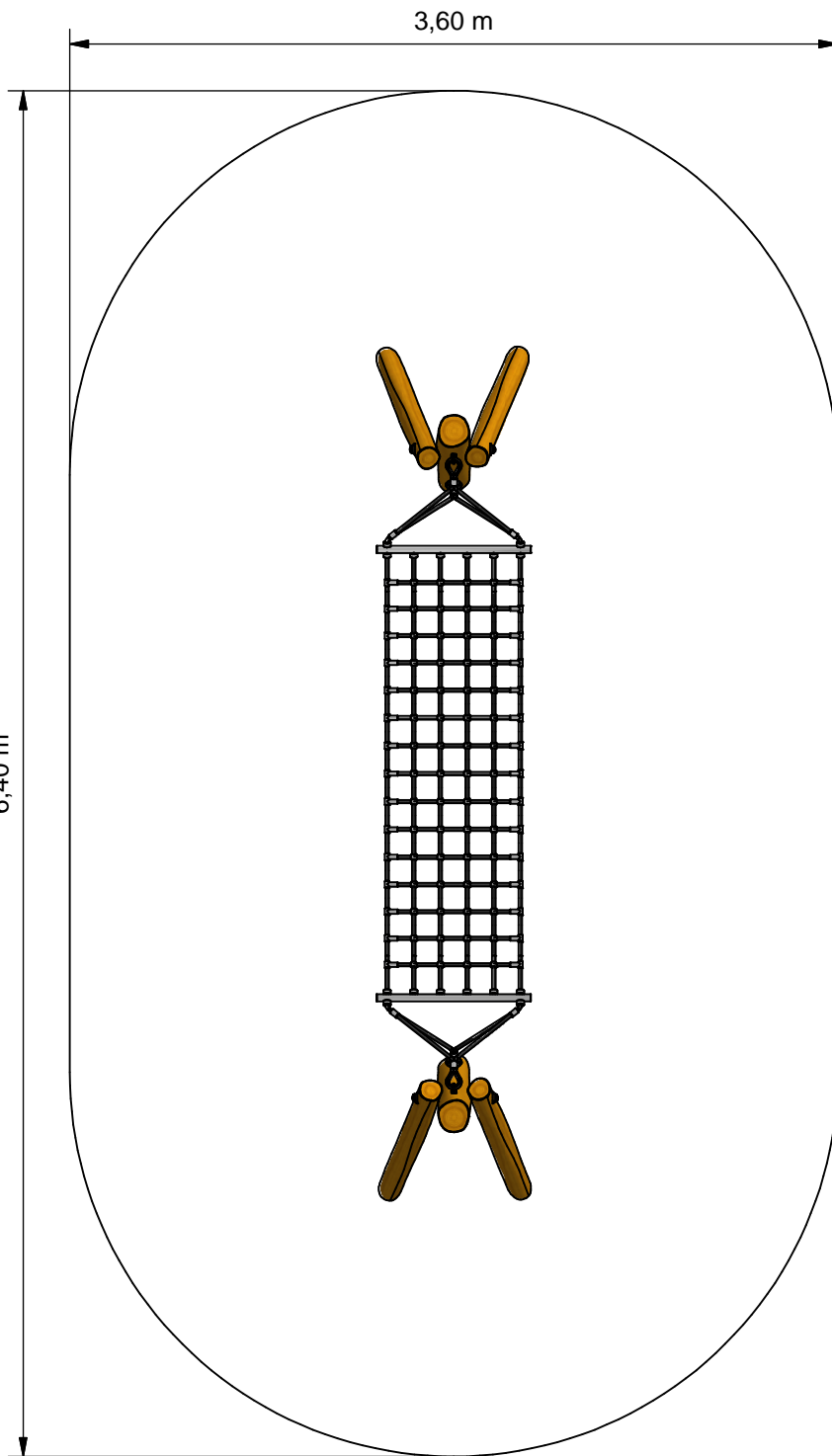




Hammock



PSTE000.018



- Opvangzone
Impact area
- Obstakelvrije zone
Obstacle free zone



Benaming / Title: Hangmat

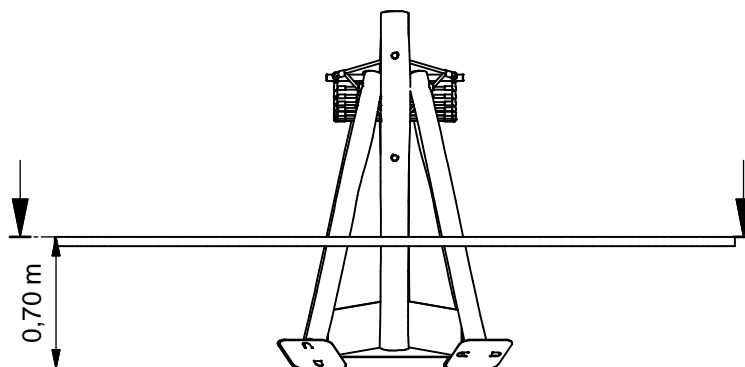
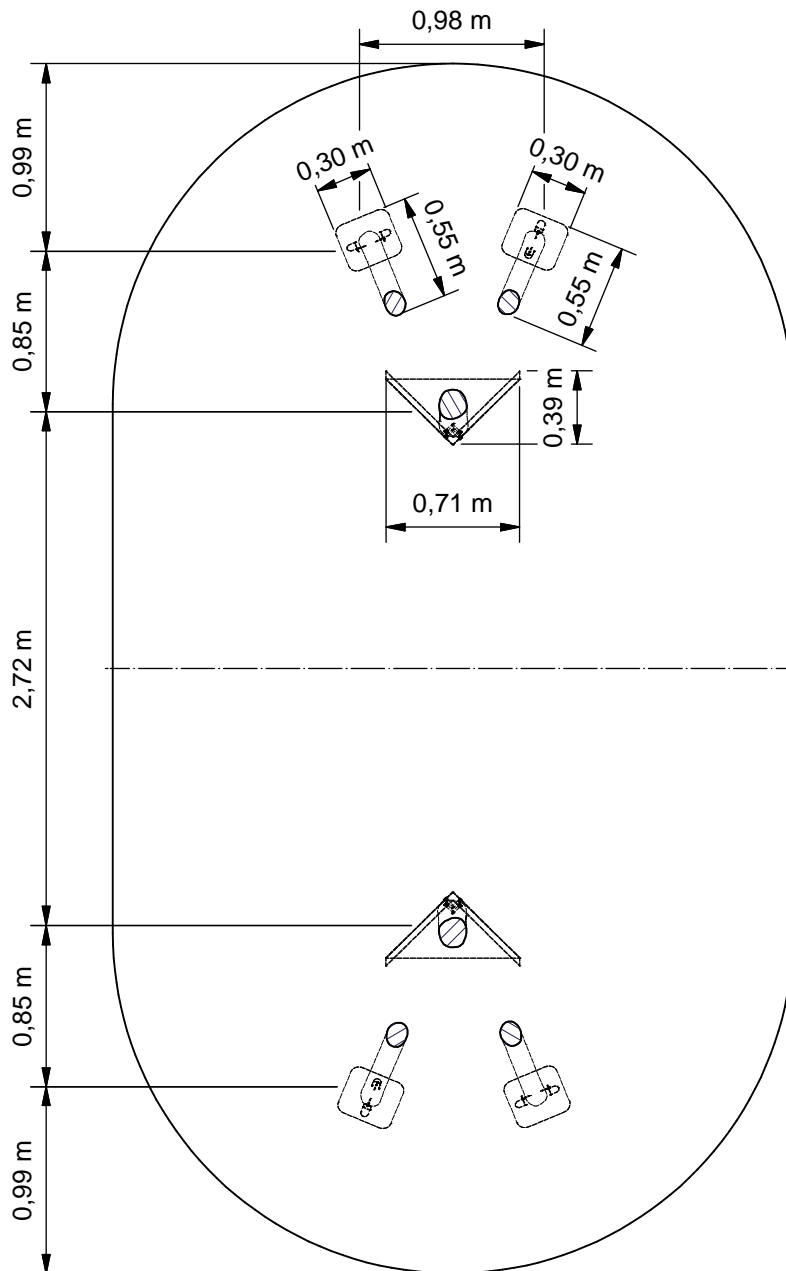
Opmerking / Comment: Robinia

Datum / Date: 21-9-2012

Tekening / Drawing

TOE PST 000 018

Obstakelvrije zone *Obstacle free zone*



Benaming
Title Hangmat

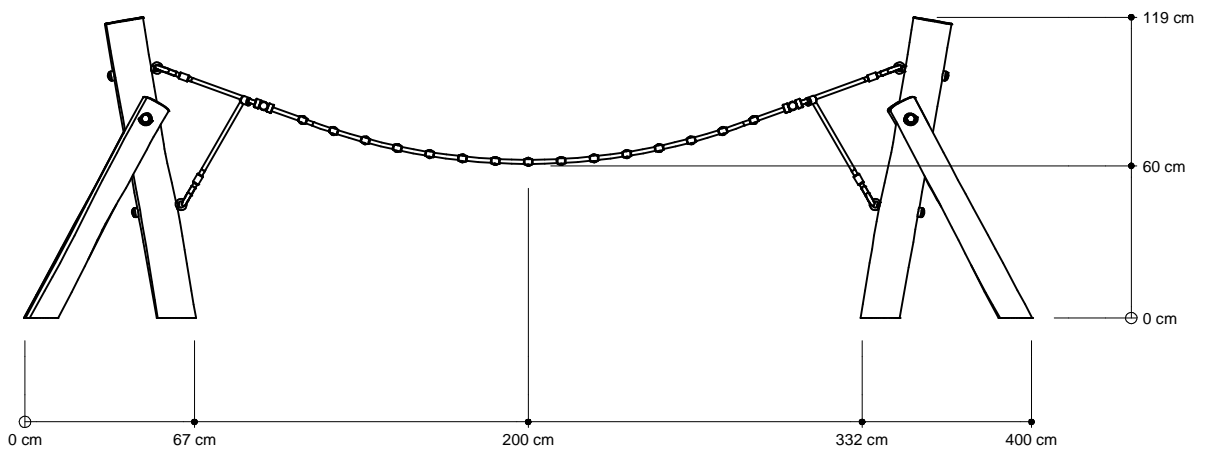
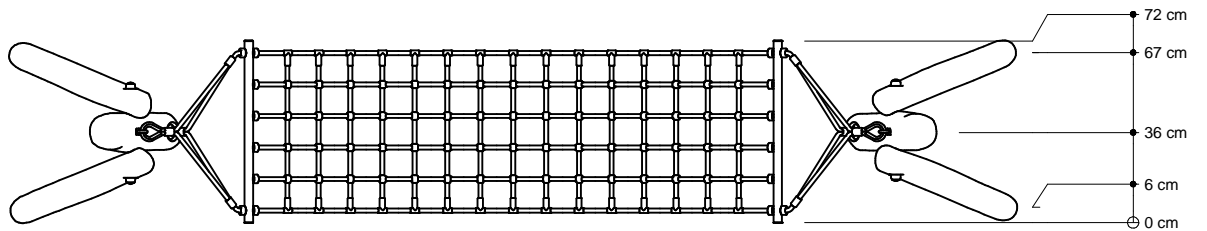
Opmerking
Comment Robinia

Datum
Date 21-9-2012

Tekening
Drawing

TOE PST 000 018

Bodemplan *Groundplan*



Benaming
Title Hangmat

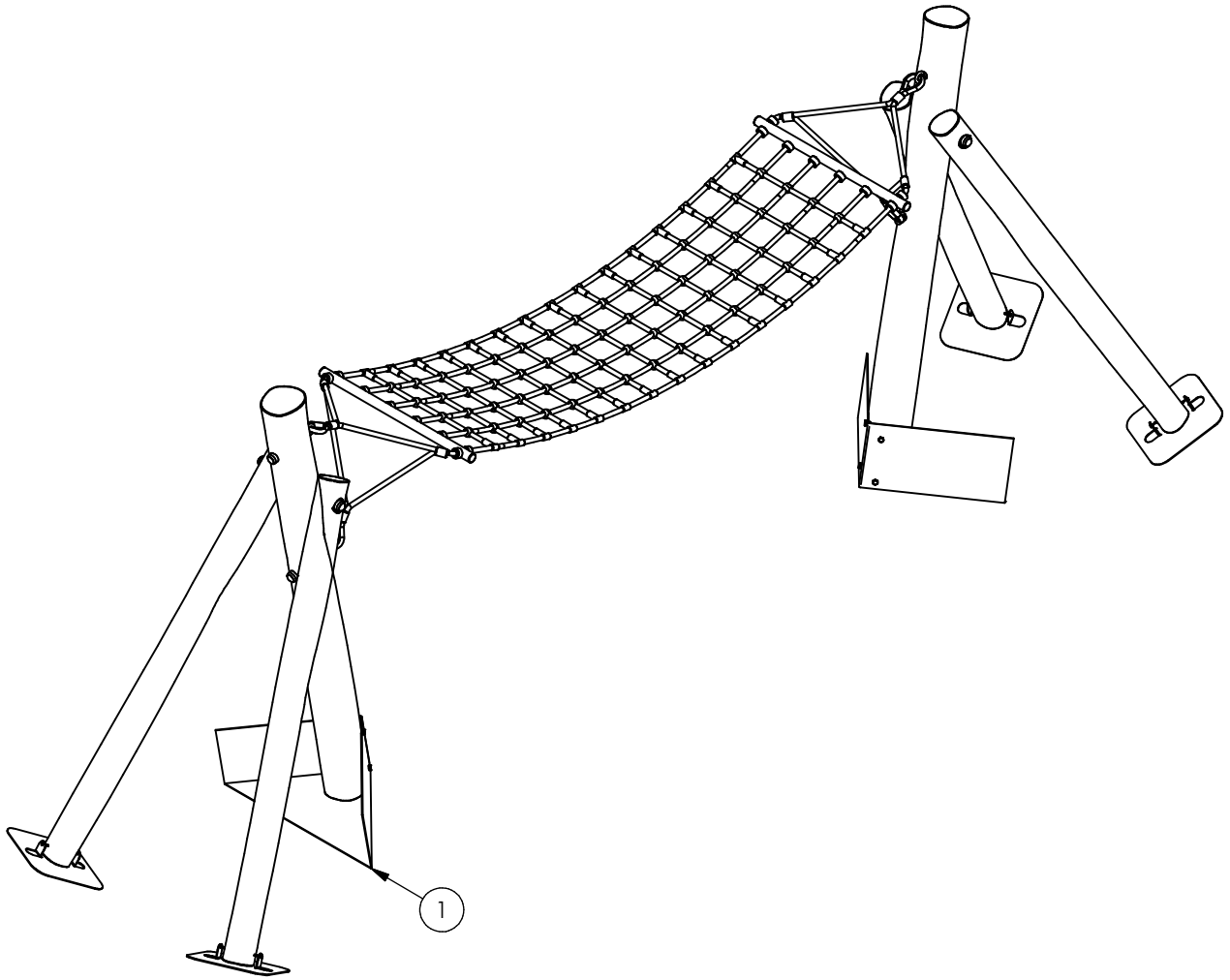
Opmerking
Comment Robinia

Datum
Date 21-9-2012

Tekening
Drawing

TOE PST 000 018

Afmetingen Dimensions



Nr	#	Type	Progr.	Volgnr	Bew.	Rev.	Benaming	Opmerking
1	1	MOD	PST	001	006	A	Hangmat	Robinia



Benaming
Title | Hangmat _____

Opmerking
Comment | Robinia _____

Datum
Date | 21-9-2012 _____

Tekening
Drawing

TOE PST 000 018

Modules Modules

Geleverde delen:

- A - Frame (2x)
- B - Hangmat

Bevestiging sets:

- 1 - Bout met dop

Montagevolgorde:

- 1 - graaf de gaten volgens het bodemplan en plaats hierin de frames A
- 2 - monteer de hangmat B tussen de frames met sets 1
- 3 - indien nodig de ketting van de hangmat inkorten om uitslag te beperken
- 4 - controleer of het toestel voldoet aan de afmetingen zoals op blad 'afmetingen'
- 5 - dicht de gaten en verdicht het zand

Controles:

- 1 - correcte opbouw en alle bevestigingsmiddelen
- 2 - de vrije hoogte onder de hangmat (60 cm)
- 3 - controleer de afmetingen van de valbodem t.o.v. het toestel

Supplied parts:

- A - Frame (2x)
- B - Hammock

Mounting kits:

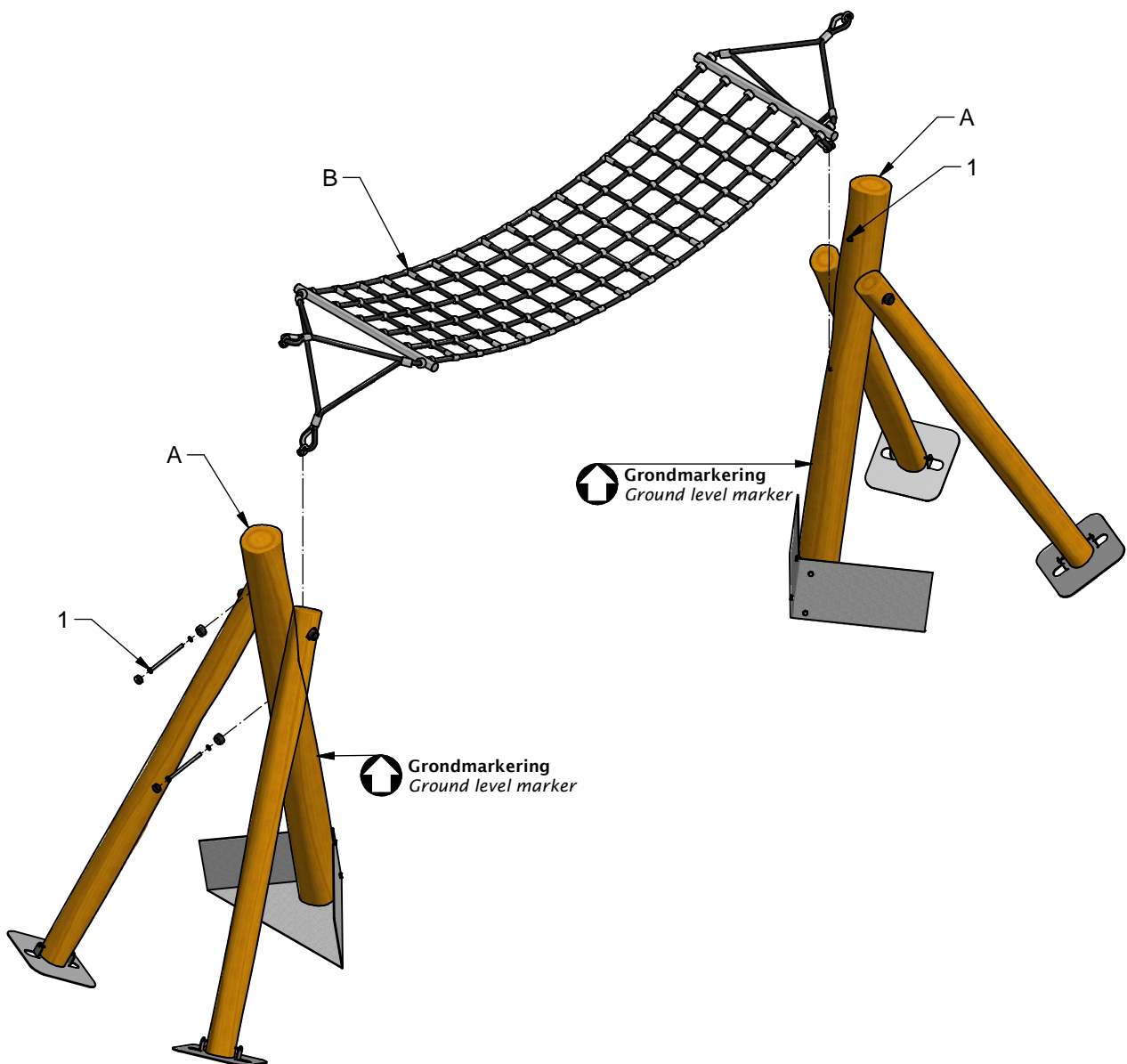
- 1 - bolt M10 with cap

Assembly sequence:

- 1 - dig the holes according to the ground plan and place frames A
- 2 - mount the hammock B between the frames with sets 1
- 3 - if necessary shorten the chains on the hammock to minimize the swing
- 4 - check that the equipment conforms to the dimensions shown on sheet 'dimensions'
- 5 - close the holes and compact the sand

Checks:

- 1 - correct assembly and all the fasteners
- 2 - the free height underneath the hammock (60 cm)
- 3 - check the dimensions of the safety area compared to the play equipment



PSTE000.018

Hammock

LOGBOOK

(Onderstaand logboek kan gebruikt worden om te voldoen aan de eisen, gesteld in artikel 14 van het Warenwetbesluit Attractie- en Speeltoestellen)

Type indication	Adventure Play
Product code	PSTE000.018
Name of equipment	Hangmat
Maximum height of fall	0,9 m
Year of construction	2017
Certificate	031054
inspection authority	TUV Nederland QA BV De Waal 21c, Best - 5684 PH Best
Name manufacturer	BOERplay Hyacintstraat 2 - 4255 HX Nieuwendijk Phone: +31 (0)183 40 23 66 Fax: +31 (0)183 40 35 64
name installer	_____ _____
Description of equipment	Hammock
Location of equipment	_____
Data about the owner of the play equipment	
Name:	_____
Address:	_____
Postcode and town:	_____
Contact person:	_____
Telephone number:	_____
Data about the administrator of the play equipment	
Name:	_____
Address:	_____
Postcode and town:	_____
Contact person:	_____
Telephone number:	_____

LOGBOOK

Inspection and maintenance intervals



Nr.	Inspection	Maintenance	months between inspections
1	Verify equipment's stability, junctions and missing parts. Inspect bolts, screws and nuts for absence, jams, corrosion and wear.	Add missing parts, secure joints, apply missing fixing agent and replace corroded parts.	1
2	Check suspension for wear.	Replace worn parts and/or remove non-functioning parts.	1
3	Inspect rotating parts such as hinges, rolling-element bearings, etc. for wear and acceptability.	Replace worn parts and/or remove non-functioning parts.	1
4	Check wood for splinters, unacceptable damage and signs of rot. Especially at ground level.	Repair damage. Replace affected wood. Smoothen splintered wood and sharp edges.	1
5	Inspect foundation for stability, tearing and coverage.	Restore foundation and covering material.	3
6	Examine rubber and synthetic parts for wear, damage and break.	Replace original parts.	3
7	Inspect metal for corrosion and damage in the coating.	Restore any damaged coating (after removing rust and applying primer).	6
8	Check ropes, cables, chains and nets for wear and damage. Steel cables and nets which are tensioned must be checked for tension.	Replace parts where necessary. Steel cables and nets must be tensioned.	3
9	Inspect equipment for unsafe changes and additions.	Remove unsafe additions and correct unsafe changes.	1
10	Inspect safety surfaces.	Restore and repair where necessary.	1

Remarks

1. If used intensively, all points require extra attention.
2. Extreme weather conditions and locations may require a higher inspection frequency. Discuss this with the supplier.
3. Vandalism-sensitive locations require stricter inspections, possibly daily.
4. Check the terrain regularly for items that do not belong there, are unsafe or may be used wrongly. Examples are poisonous plants, glass shards, etc. Frequency depends on strain.
5. Remember that bad maintenance leads to unsafe conditions and notably faster impoverishment of the playground area.
6. Replacement parts can be ordered at the manufacturer with the part numbers on the module drawing. Drawings can be found in de user guide.
7. The impact area shall be provided with impact attenuating surface according to the specified falling height.
8. This list is conform the CEN-standard "playground equipment and surfacing NEN-EN 1176-7".

Warenwet

Certificaat van Typeonderzoek Type Examination Certificate


afgegeven door issued by

TÜV Nederland QA BV



aangewezen bij ministeriële beschikking van
4 mei 2012, nr. VGP 3113590

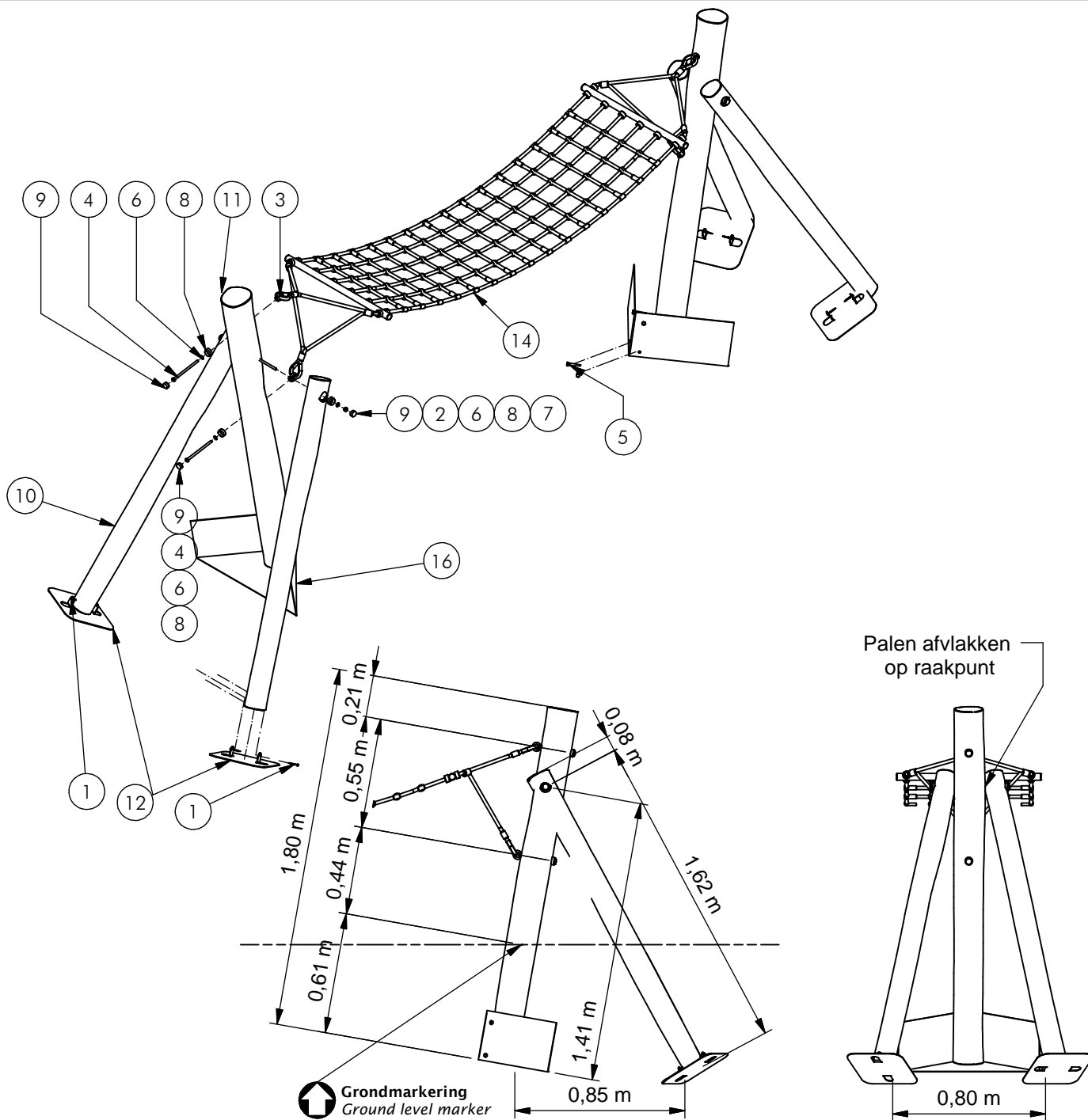
commissioned by departmental order
of 4 May 2012, no. VGP 3113590

Certificaat nr. Certificate nr.	031054TA_20130115	Dossiernr. File nr.	031054TA
Productomschrijving Product description	Hangmat		
Evt. nadere aanduidingen Further indications	Maximale valhoogte 1,2 m		
voor nadere informatie zie bijbehorend rapport met gelijkloidend dossiernr. for further information see associated report with identical file nr.			
Eigenaar / certificaathouder en adres Owner/certificate holder and address	Boer Speeltoestellen B.V. Hyacintstraat 2 4255 HX NIEUWENDIJK		
Soort toestel Category of equipment	Speeltoestel / Playground equipment		
Fabrikant Manufacturer	Boer Speeltoestellen B.V. Hyacintstraat 2 4255 HX NIEUWENDIJK		
Type/Serienummer Type/Serial number	PST.000.018 /	in te vullen door de fabrikant to be filled out by the manufacturer	
Jaar van fabricage Year of construction	vanaf since 2012		
Leverancier Supplier	Boer Speeltoestellen B.V. Hyacintstraat 2 4255 HX NIEUWENDIJK		
Jaar van leverantie Year of supply		in te vullen door de leverancier to be filled out by the supplier	
Datum keuring Date of examination	21-08-2012 – 15-01-2013		

TÜV Nederland QA BV, de Waal 21C, NL-5684 PH Best verklaart, dat het bovenaangehaalde toestel voldoet aan de vervaardigingvoorschriften genoemd in het Warenwetbesluit attractie- en speeltoestellen (met als leidraad de normatieve documenten NEN-EN 1176:2008).

TÜV Nederland QA BV declares that the here above mentioned equipment meets the safety and health requirements mentioned in the Dutch law "Warenwetbesluit attractie- en speeltoestellen" (guided by normative documents EN 1176:2008).

Namens het bestuur, For the board, A.C. Boon Directeur	
---	--



Nr	#	Type	Progr.	Volgnr	Bew.	Rev.	Benaming	Opmerking
1	8	BSR	002	005	050		SCHROEF	5 x 50
2	4	BSR	010	010	010		Borgmoer	M10 - RVS A2-70
3	4	BSR	015	010	000		Oogmoer	M10 - RVS A2-70
4	4	BSR	021	010	170		Zeskantbout	M10 x 170 - RVS A2-70
5	8	BSR	022	010	060		Houtdraadbout	ø10 X 60 - RVS A2-70
6	12	BSR	030	010	002		SLUITRING	M10
7	2	BSR	070	010	390		Draadeind	M10 x 390 - RVS A2-70
8	8	KST	DON	010	060		Bescherm dop M10-M12	Donut zwart
9	8	KST	DOP	010	060		Bescherm dop M10-M12	Dop zwart
10	4	OHO	PST	112	002		Hangmat paal	Ø10-Ø12 L1700
11	2	OHO	PST	116	005		Hangmat paal	Ø12-Ø14 L1800
12	4	OME	JGP	001	VZP		Voetplaat	Jungleplay
14	1	SNT	PST	001	ZWT		Net hangmat	Robinia
16	2	SME	VRB	616	372		Grondanker	Extra zwaar



Benaming / Title: Hangmat
 Opmerking / Comment: Robinia
 Datum / Date: 10-1-2013

Tekening / Drawing

MOD PST 001 006 A
 Samenstelling module / Assembly module