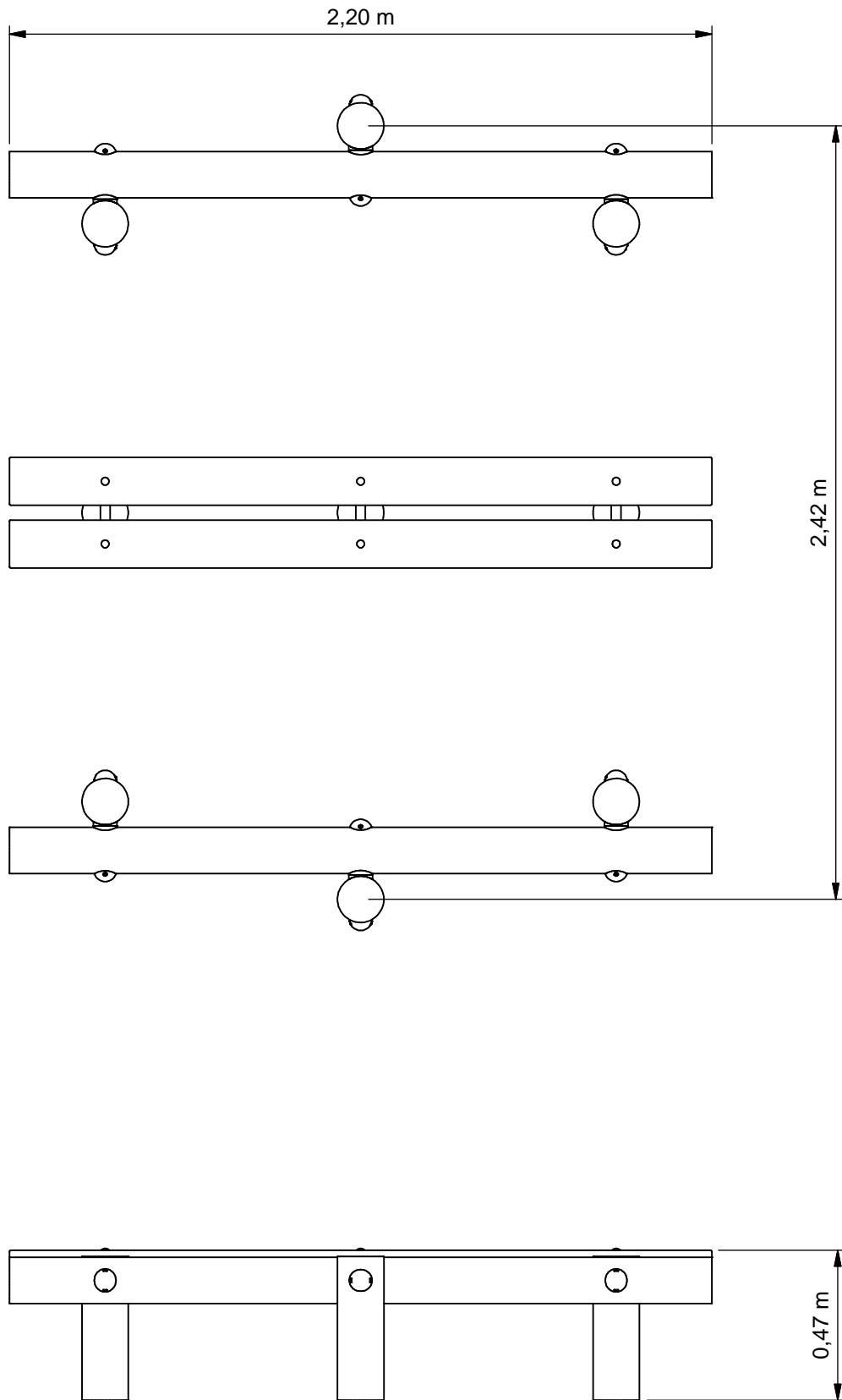




# Gymnastics bench



SPT100.090



Benaming  
Title | Turnbank

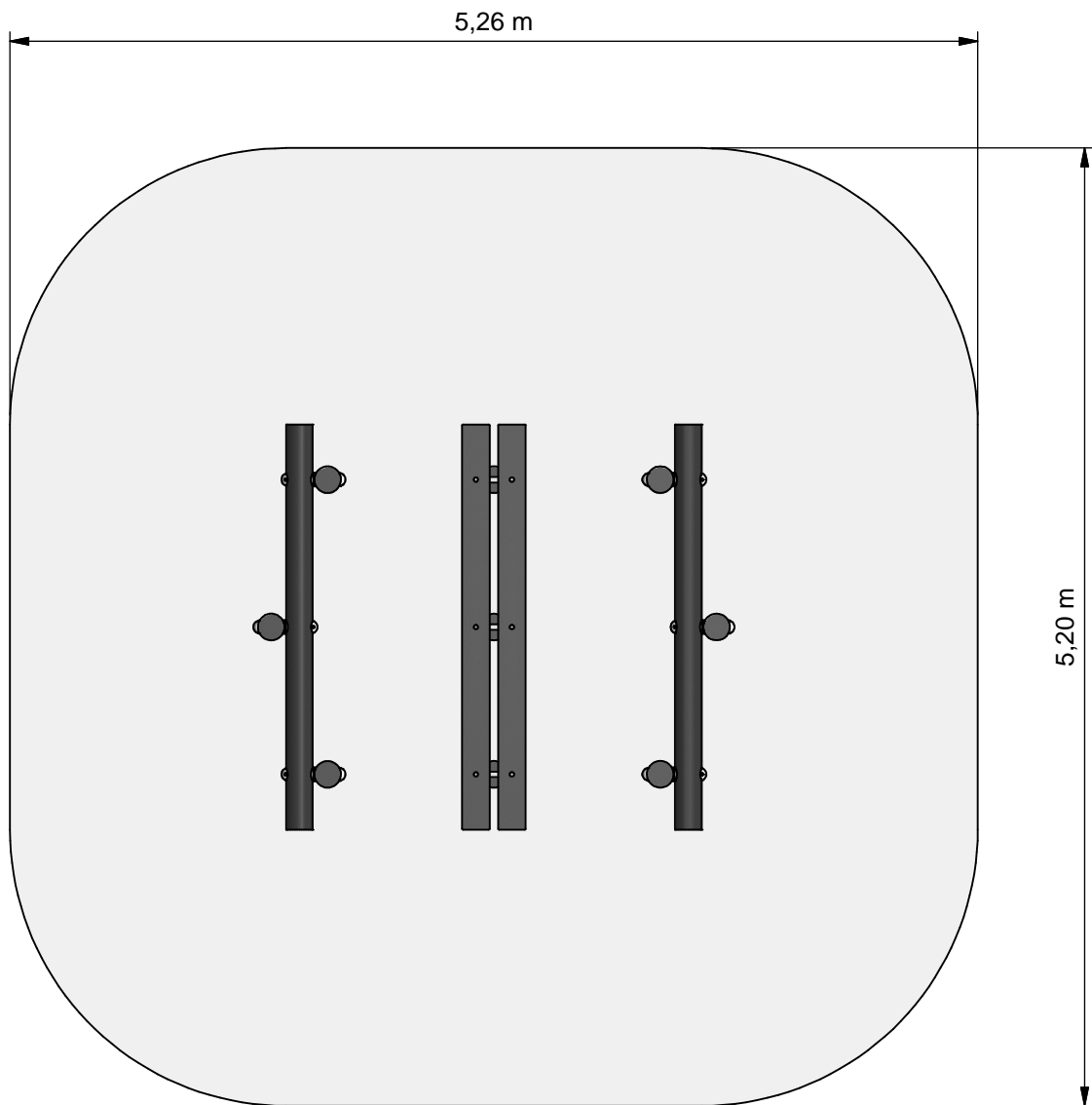
Opmerking  
Comment | Trimbaan

Datum  
Date | 2-11-2015

Tekening  
Drawing

**TOE SPT 100 090**

Hoofdafmetingen *Main dimensions*



- Opvangzone  
Impact area
- Obstakelvrije zone  
Obstacle free zone



Benaming  
Title Turnbank

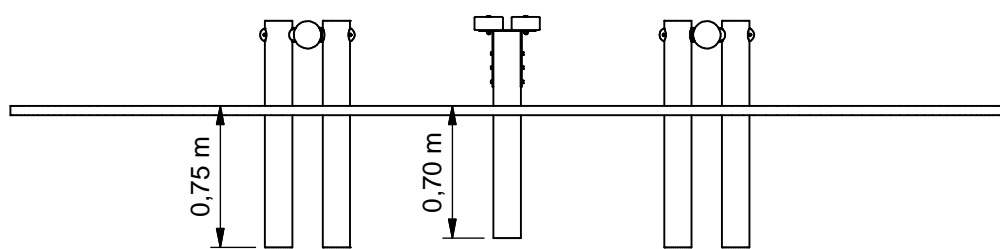
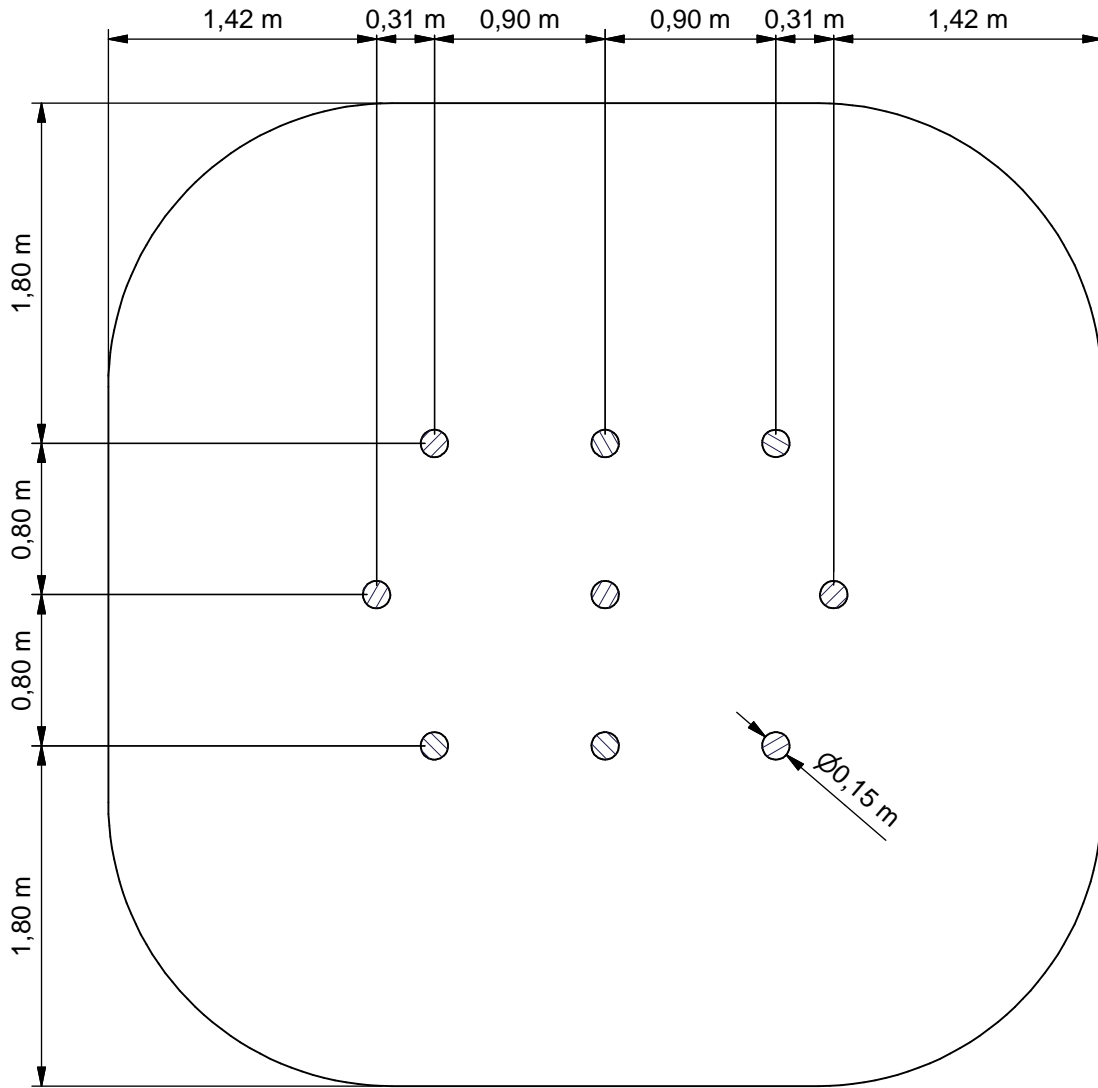
Opmerking  
Comment Trimbaan

Datum  
Date 2-11-2015

Tekening  
Drawing

**TOE SPT 100 090**

Obstakelvrije zone *Obstacle free zone*



Benaming  
Title Turnbank

Opmerking  
Comment Trimbaan

Datum  
Date 2-11-2015

Tekening  
Drawing

TOE SPT 100 090

Bodemplan Groundplan

**Geleverde modules:**

Zie tabel

**Supplied modules:**

See table

**Montageinstructie:**

- De hoofdmaten geven de maten van de standers en vloeren aan
- De detailtekeningen geven specifiek de maten van de verbindingen aan
- De modules met buizen zijn op de tekeningen bemaat op bovenkant kopplaat
- Overige modules zijn bemaat op de bovenkant (klimwanden, paalkappen, etc.)

**Assembly instruction:**

- The main dimensions indicate the dimensions of the posts and floors
- The detailed dimensions show the specific dimensions of the connections
- The modules which contain tubes are dimensioned at the top of the flanges
- Other modules are dimensioned at the top (climbing walls, caps for the posts, etc.)

**Montagevolgorde:**

- 1 - Graaf de gaten volgens het bodemplan
- 2 - Plaats 3, verbind deze met 1+2
- 3 - Controleer of het toestel voldoet aan de afmetingen zoals op blad 'afmetingen'
- 4 - Dicht de gaten en verdicht het zand

**Assembly sequence:**

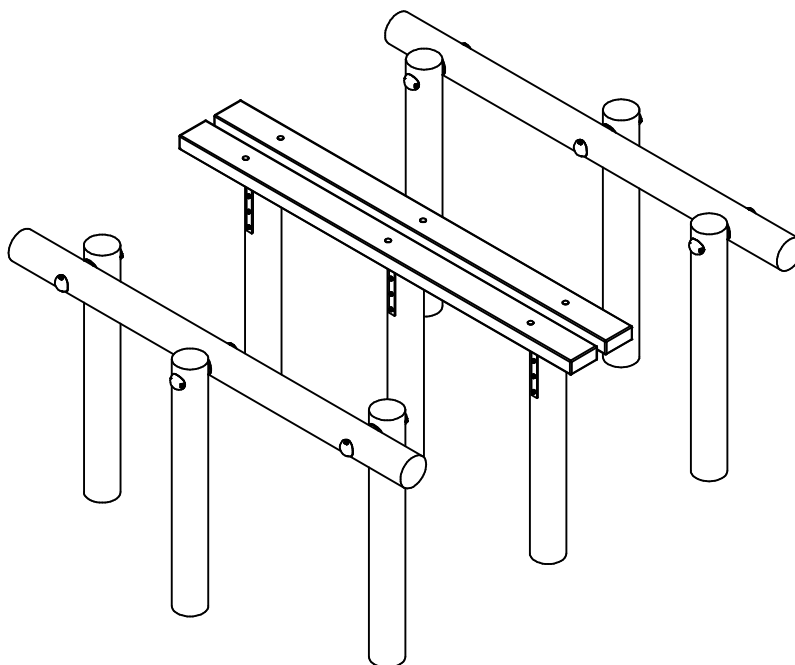
- 1 - Dig the holes according to the ground plan
- 2 - Place 3, attach it between with 1+2
- 3 - Check that the equipment conforms to the dimensions shown on sheet 'dimensions'
- 4 - Close the holes and compact the sand

**Controles:**

- 1 - Correcte opbouw en alle bevestigingsmiddelen
- 2 - Controleer de afmetingen van de valbodem t.o.v. het toestel

**Checks:**

- 1 - Correct assembly and all the fasteners
- 2 - Check the dimensions of the safety area with regard to the play equipment



Nr	#	Type	Progr.	Volgnr	Bew.	Rev.	Benaming	Opmerking
1	6	MOD	JGP	001	051		Montage buis doppen grijs	h.o.h. 153
2	3	MOD	SPT	001	001		Beugel Turnbank	+ bevestiging
3	1	MOD	SPT	100	090		Rebo Pakket	SPT.100.090



Benaming  
Title Turnbank

Opmerking  
Comment Trimbaan

Datum  
Date 2-11-2015

Tekening  
Drawing

# TOE SPT 100 090

Modules Modules

# SPTE100.090

Gymnastics bench

## LOGBOOK

(Onderstaand logboek kan gebruikt worden om te voldoen aan de eisen, gesteld in artikel 14 van het Warenwetbesluit Attractie- en Speeltoestellen)

Type indication	Sports equipment
Product code	SPTE100.090
Name of equipment	Turnbank
Maximum height of fall	< 0,6 m
Year of construction	2017
Certificate	0183402366
inspection authority	NVT -
Name manufacturer	BOERplay Hyacintstraat 2 - 4255 HX Nieuwendijk Phone: +31 (0)183 40 23 66 Fax: +31 (0)183 40 35 64
name installer	_____ _____
Description of equipment	Gymnastics bench
Location of equipment	_____
Data about the owner of the play equipment	
Name:	_____
Address:	_____
Postcode and town:	_____
Contact person:	_____
Telephone number:	_____
Data about the administrator of the play equipment	
Name:	_____
Address:	_____
Postcode and town:	_____
Contact person:	_____
Telephone number:	_____

# LOGBOOK

## Inspection and maintenance intervals



Nr.	Inspection	Maintenance	months between inspections
1	Verify equipment's stability, junctions and missing parts. Inspect bolts, screws and nuts for absence, jams, corrosion and wear.	Add missing parts, secure joints, apply missing fixing agent and replace corroded parts.	1
2	Check suspension for wear.	Replace worn parts and/or remove non-functioning parts.	1
3	Inspect rotating parts such as hinges, rolling-element bearings, etc. for wear and acceptability.	Replace worn parts and/or remove non-functioning parts.	1
4	Check wood for splinters, unacceptable damage and signs of rot. Especially at ground level.	Repair damage. Replace affected wood. Smoothen splintered wood and sharp edges.	1
5	Inspect foundation for stability, tearing and coverage.	Restore foundation and covering material.	3
6	Examine rubber and synthetic parts for wear, damage and break.	Replace original parts.	3
7	Inspect metal for corrosion and damage in the coating.	Restore any damaged coating (after removing rust and applying primer).	6
8	Check ropes, cables, chains and nets for wear and damage. Steel cables and nets which are tensioned must be checked for tension.	Replace parts where necessary. Steel cables and nets must be tensioned.	3
9	Inspect equipment for unsafe changes and additions.	Remove unsafe additions and correct unsafe changes.	1
10	Inspect safety surfaces.	Restore and repair where necessary.	1

## Remarks

1. If used intensively, all points require extra attention.
2. Extreme weather conditions and locations may require a higher inspection frequency. Discuss this with the supplier.
3. Vandalism-sensitive locations require stricter inspections, possibly daily.
4. Check the terrain regularly for items that do not belong there, are unsafe or may be used wrongly. Examples are poisonous plants, glass shards, etc. Frequency depends on strain.
5. Remember that bad maintenance leads to unsafe conditions and notably faster impoverishment of the playground area.
6. Replacement parts can be ordered at the manufacturer with the part numbers on the module drawing. Drawings can be found in de user guide.
7. The impact area shall be provided with impact attenuating surface according to the specified falling height.
8. This list is conform the CEN-standard "playground equipment and surfacing NEN-EN 1176-7".

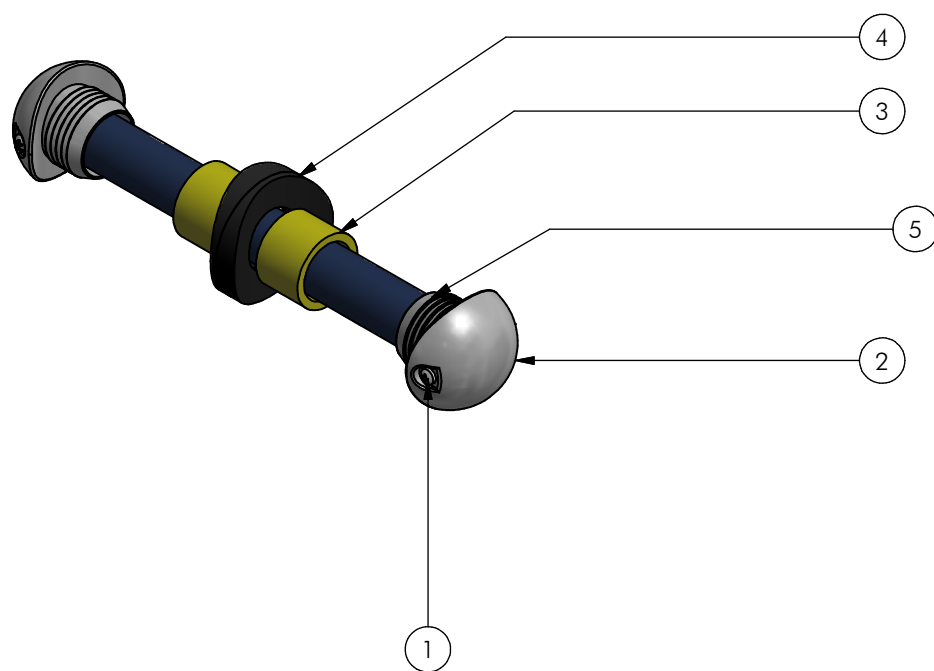


Dit toestel is geen speeltoestel conform het warenwetbesluit attractie- en speeltoestellen, en is dus niet als zodanig gecertificeerd.

*This equipment is not playground equipment, so it has not been certified as such.*







Nr	#	Type	Progr.	Volgnr	Bew.	Rev.	Benaming	Opmerking
1	4	BSV	005	005	025		Zebra Pias	4,8x25 - VZ 8.8
2	2	KST	JGP	001	070		Inslagdop grijs	
3	2	KST	JGP	003	010		Vulring	art.nr.80395000050
4	2	KST	JGP	004	080		Vulschijf	art.nr.80395000040
5	1	OME	318	033	502		KoppelbuisØ31.8	art.nr.80096030000



Benaming  
Title | Montage buis doppen grijs

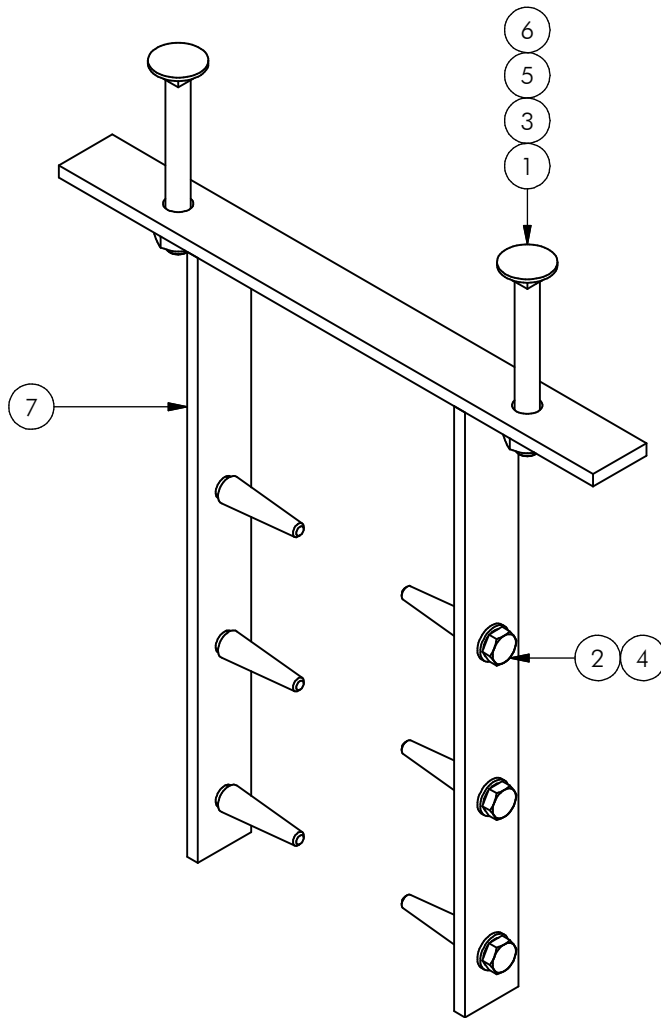
Opmerking  
Comment | h.o.h. 153

Datum  
Date | 29-10-2015

Tekening  
Drawing

**MOD JGP 001 051**

**Samenstelling module Assembly module**



Nr	#	Type	Progr.	Volgnr	Bew.	Rev.	Benaming	Opmerking
1	2	BSV	017	010	008		Zeskantmoer	M10 - VZ 8.8
2	6	BSV	022	008	050		Houtdraadbout	ø8 X 50 - Verzinkt
3	2	BSV	026	010	090		Slotbout	M10 x 90 - VZ 8.8
4	6	BSV	030	008	016		Sluitring	M8 - VZ 8.8
5	2	BSV	030	010	002		Sluitring	M10 - VZ 8.8
6	2	BSV	032	010	002		Veerring	M10 - VZ 8.8
7	1	SME	SPT	092	372		Beugel Staal	Trimbaan



Benaming  
Title Beugel Turnbank

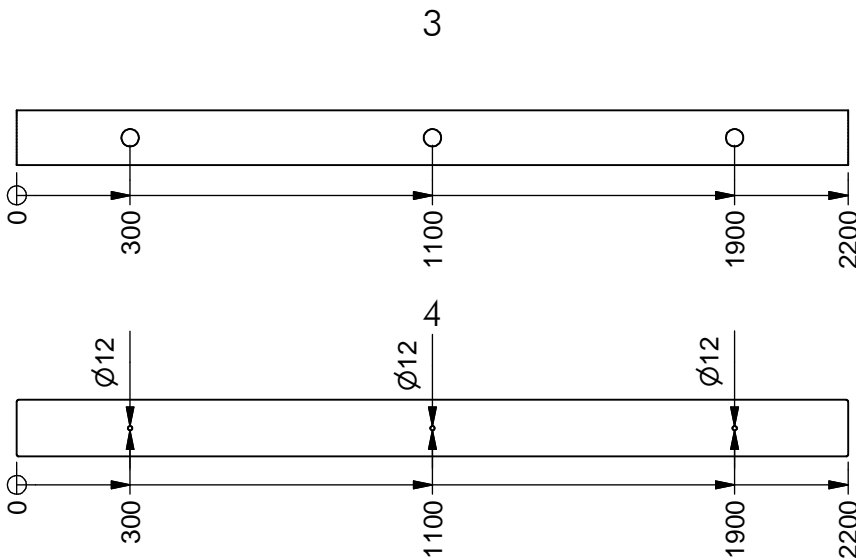
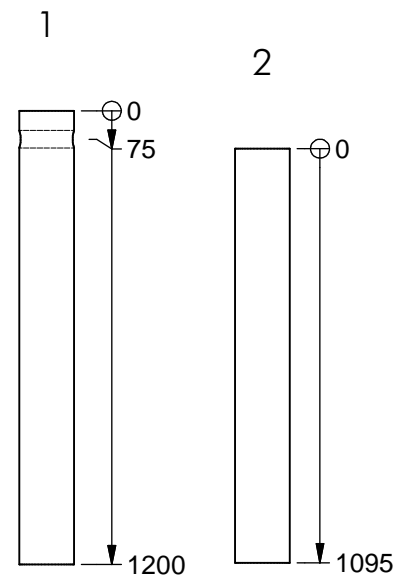
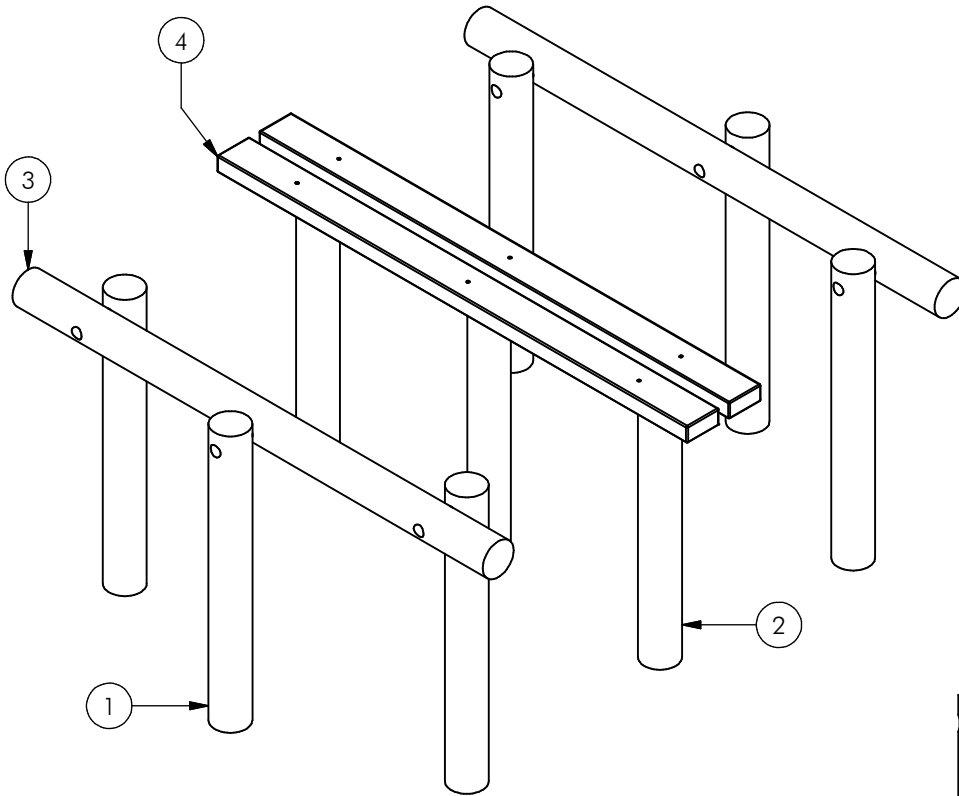
Opmerking  
Comment + bevestiging

Datum  
Date 2-11-2015

Tekening  
Drawing

MOD SPT 001 001

Samenstelling module Assembly module



All holes Ø46 unless otherwise stated.  
 All holes pierce unless otherwise stated.  
 All the holes in the heart of the post, unless otherwise stated.

Alle gaten Ø46 tenzij anders vermeld.  
 Alle gaten doorboren tenzij anders vermeld.  
 Alle gaten in hart van de paal tenzij anders vermeld.

Nr	#	Type	Progr.	Volgnr	Bew.	Rev.	Benaming	Opmerking
1	6	ORE	SPT	001	016		Rebo Ø145	L= 1200
2	3	ORE	SPT	001	018		Rebo Ø145	L= 1095
3	2	ORE	SPT	001	019		Rebo Ø145	L= 2200
4	2	ORE	SPT	150	001		Rebo 150x68	L= 2200



Benaming  
 Title Rebo Pakket

Opmerking  
 Comment SPT.100.090

Datum  
 Date 2-11-2015

Tekening  
 Drawing

# MOD SPT 100 090

Samenstelling module Assembly module