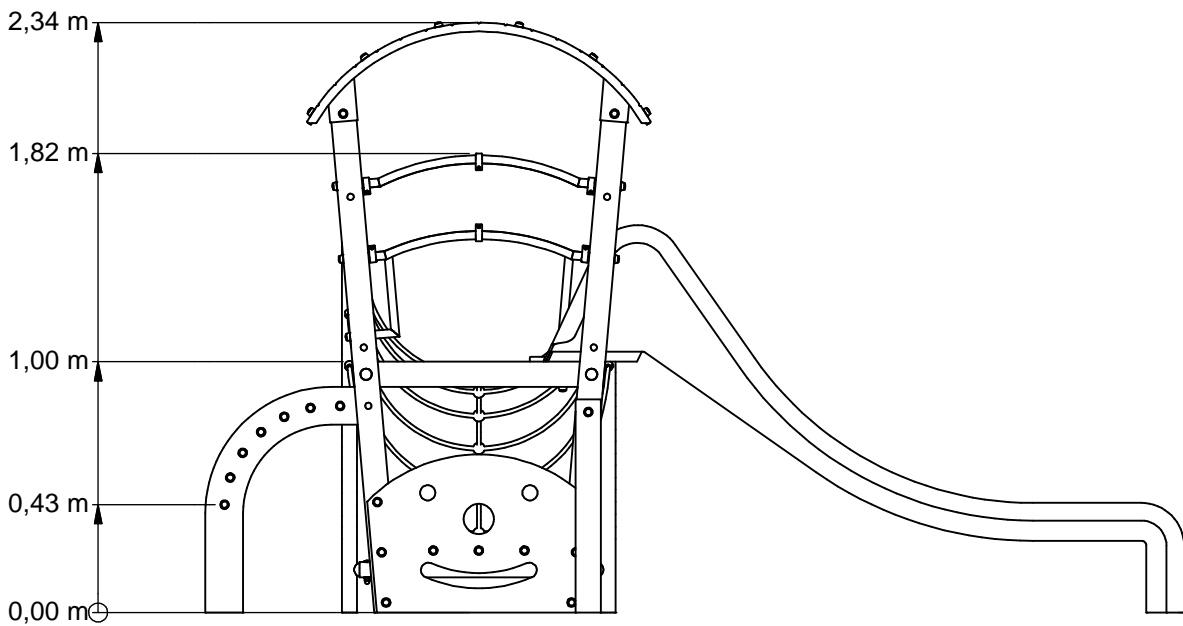
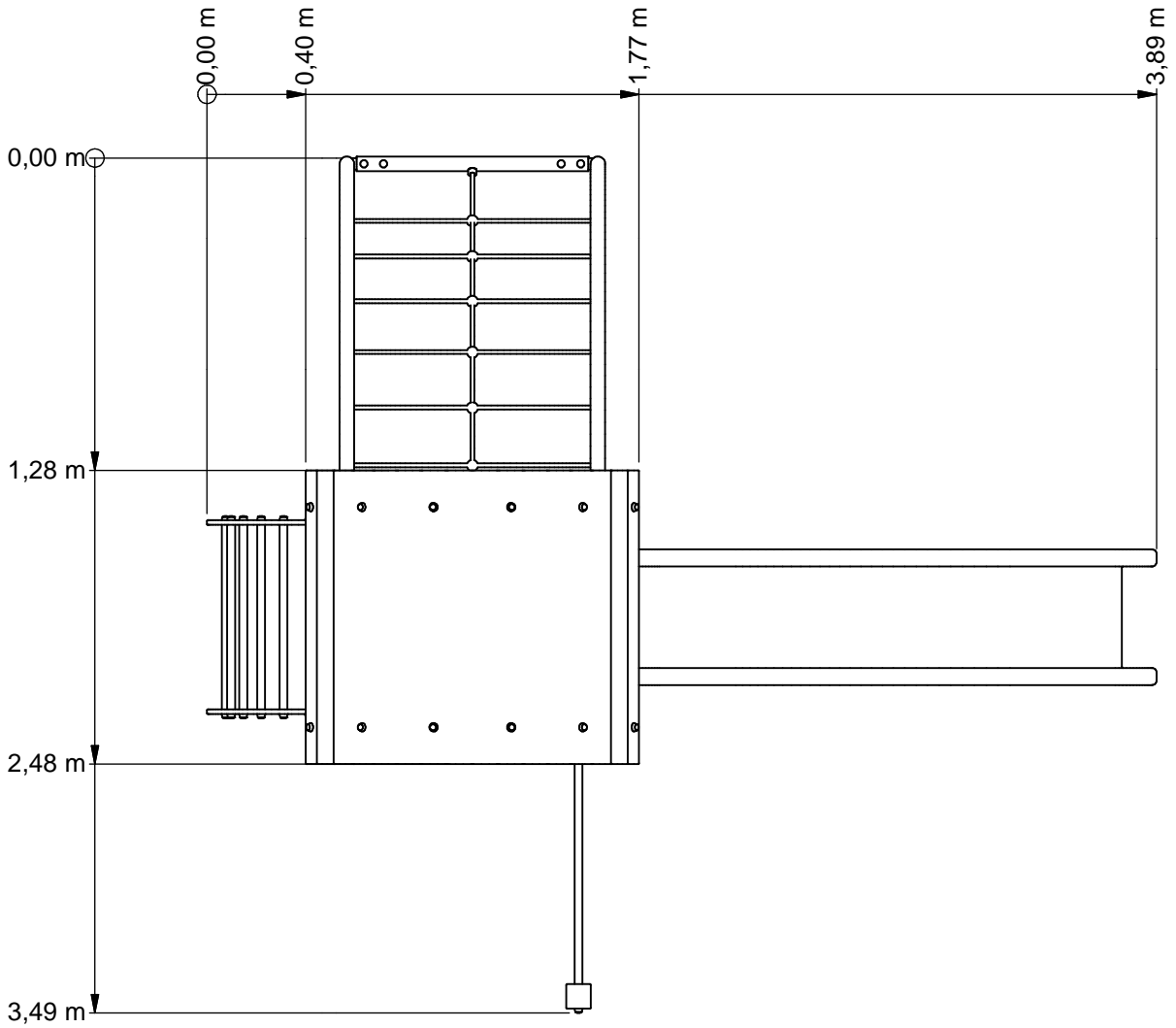




# Combination equipment



FRPE502.041



Benaming  
Title Toestel 502\_00041

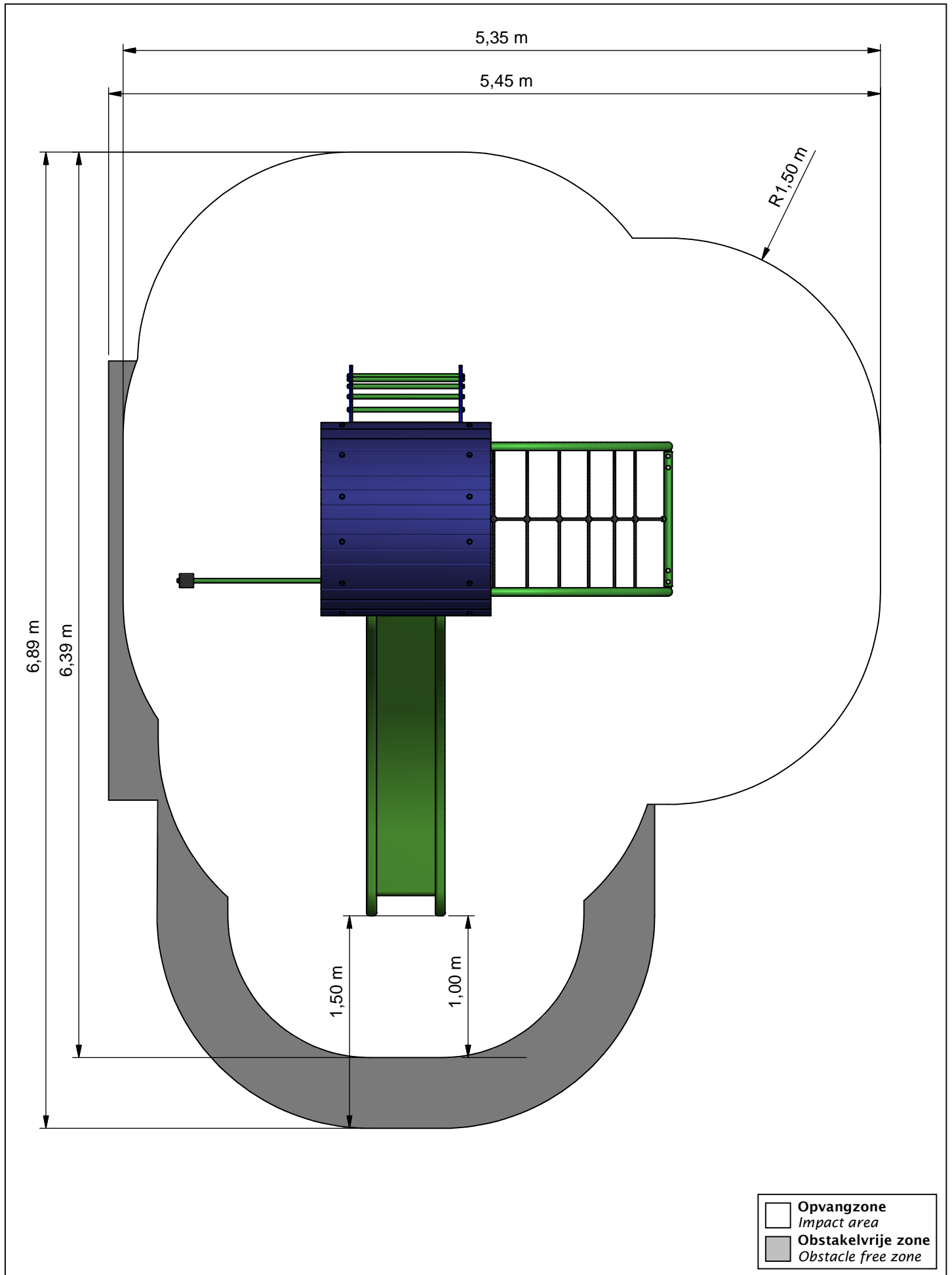
Opmerking  
Comment Freeplay

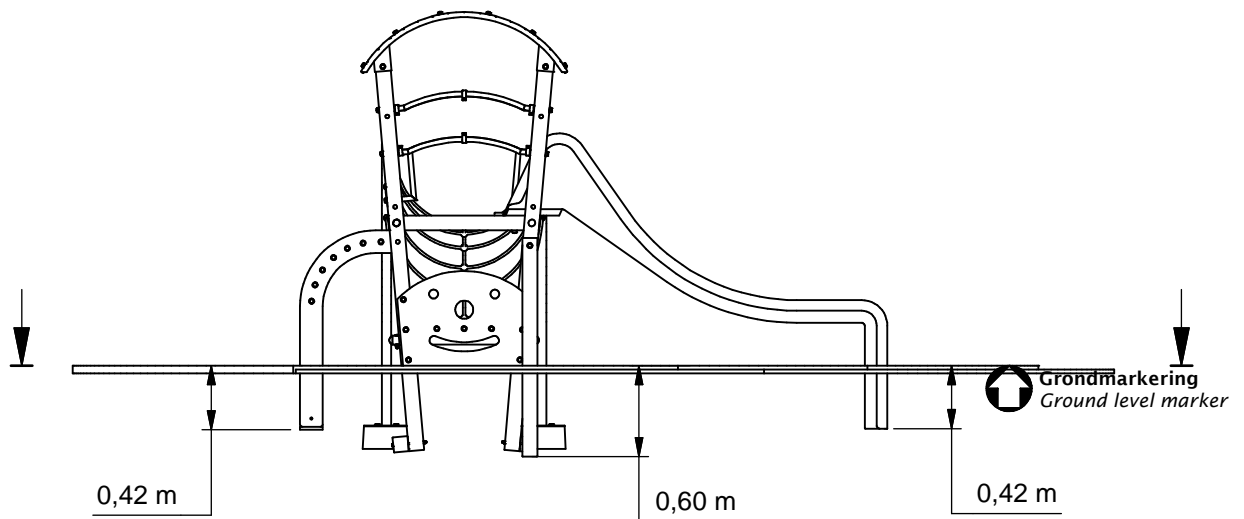
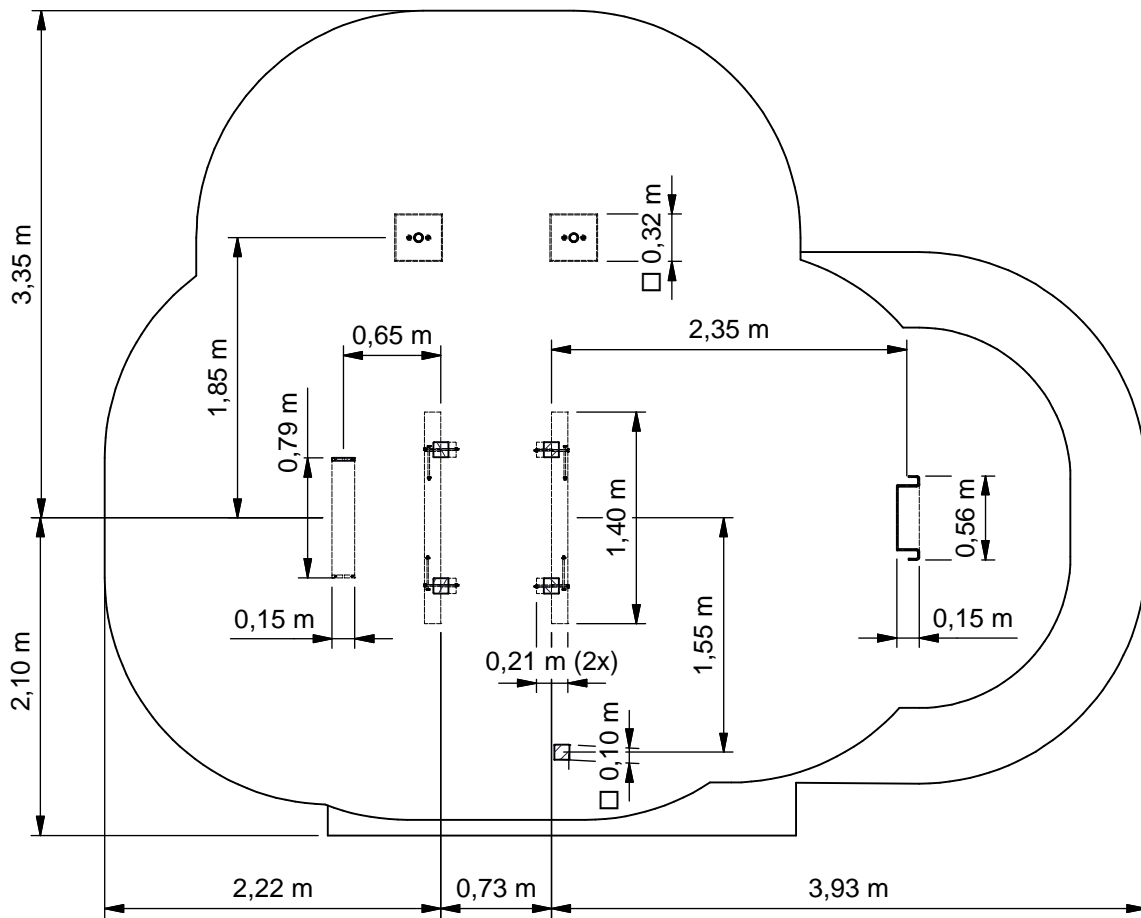
Datum  
Date 17-9-2014

Tekening  
Drawing

TOE FRP 502 041 B

Hoofdafmetingen Main dimensions





Benaming  
Title Toestel 502\_00041

Opmerking  
Comment Freeplay

Datum  
Date 17-9-2014

Tekening  
Drawing

TOE FRP 502 041 B

Bodemplan Groundplan

**Geleverde modules:**

Zie tabel

**Supplied modules:**

See table

**Montageinstructie:**

- De modules (m.u.v. de glijbaan) kunnen correct geassembleerd worden met de voorgeboorde gaten, de glijbaan moet worden geassembleerd volgens de maten op het blad 'Hoofdafmetingen'.

**Assembly instruction:**

- The modules (except for the slide) can be assembled correctly using the predrilled holes, the slide should be assembled according to the dimensions at the sheet 'Main dimensions'.

**Montagevolgorde:**

- 1 - Graaf de gaten volgens het bodemplan
- 2 - Assembleer toren (1,2,3,4,5,6,11,12)
- 3 - Plaats toren
- 4 - Plaats 7,8,9,10 en verbind deze aan toren
- 5 - Controleer of het toestel voldoet aan de afmetingen zoals op blad 'afmetingen'
- 6 - Dicht de gaten en verdicht het zand

**Assembly sequence:**

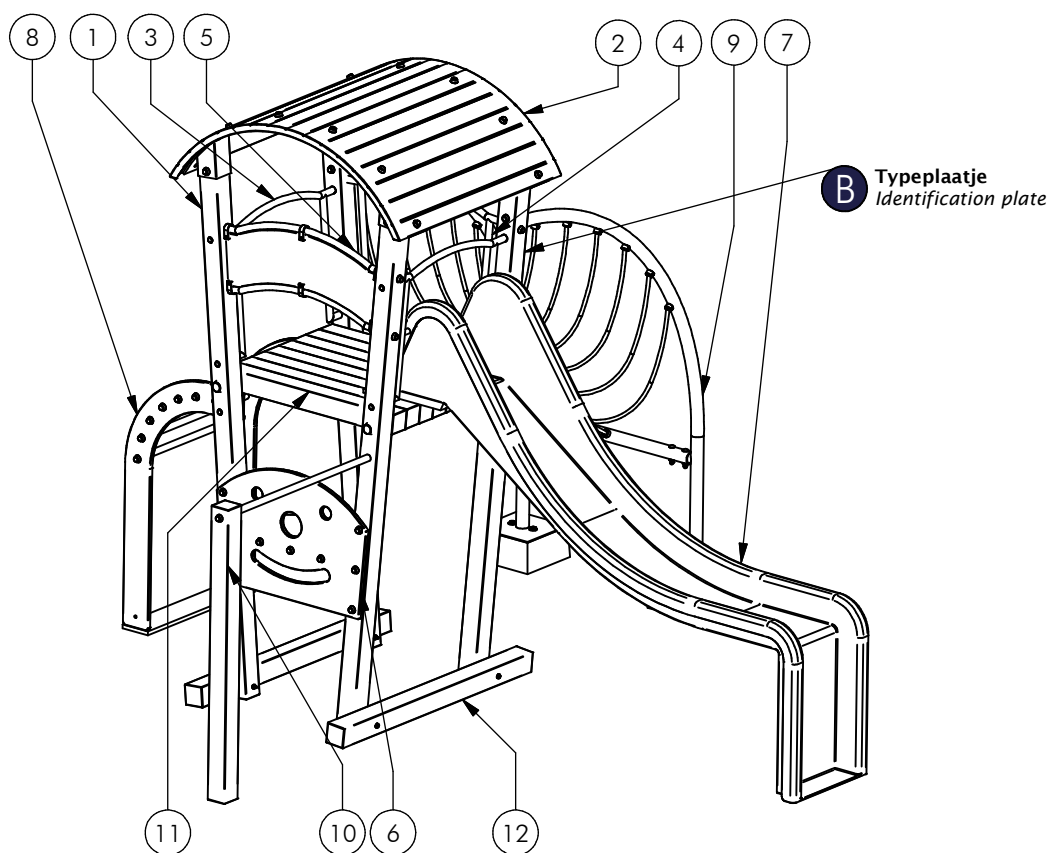
- 1 - Dig the holes according to the ground plan
- 2 - Assemble tower (1,2,3,4,5,6,11,12)
- 3 - Place tower
- 4 - Place 7,8,9,10 and attach it to tower
- 5 - Check that the equipment conforms to the dimensions shown on sheet 'dimensions'
- 6 - Close the holes and compact the sand

**Controles:**

- 1 - Correcte opbouw en alle bevestigingsmiddelen
- 2 - Controleer de afmetingen van de valbodem t.o.v. het toestel
- 3 - Controleer hoogte uitloop van de glijbaan (<350mm)

**Checks:**

- 1 - Correct assembly and all the fasteners
- 2 - Check the dimensions of the safety area with regard to the play equipment
- 3 - Check height of outlet of the slide (<350mm)



| Nr | # | Type | Progr. | Volgnr | Bew. | Rev. | Benaming                 | Opmerking           |
|----|---|------|--------|--------|------|------|--------------------------|---------------------|
| 1  | 1 | MOD  | FRP    | 502    | 041  |      | Staanders                |                     |
| 2  | 1 | MOD  | FRP    | KST    | 001  |      | Dak                      | Freeplay            |
| 3  | 1 | MOD  | FRP    | KST    | 005  |      | Portaal recht            | Freeplay            |
| 4  | 1 | MOD  | FRP    | KST    | 006  |      | Portaal schuin           | Freeplay            |
| 5  | 1 | MOD  | FRP    | KST    | 008  |      | Wandje railing           | Freeplay            |
| 6  | 1 | MOD  | FRP    | KST    | 020  |      | Onderplaat zitje/gezicht | Freeplay            |
| 7  | 1 | MOD  | FRP    | KST    | 030  |      | Glijbaan                 | Freeplay            |
| 8  | 1 | MOD  | FRP    | KST    | 032  |      | Klimboog                 | Freeplay            |
| 9  | 1 | MOD  | FRP    | KST    | 041  |      | Klimboog net             | Freeplay            |
| 10 | 1 | MOD  | FRP    | KST    | 056  | B    | Aanbouwduikel            | Freeplay            |
| 11 | 1 | MOD  | FRP    | KST    | 079  |      | Vloer 995 mm             | Vloer Klimwand/boog |
| 12 | 1 | MOD  | FRP    | KST    | 080  |      | Schoren                  | incl. bevestiging   |



Benaming  
Title Toestel 502\_00041

Opmerking  
Comment Freeplay

Datum  
Date 17-9-2014

Tekening  
Drawing

TOE FRP 502 041 B

Modules Modules

# FRPE502.041

Combination equipment

## LOGBOOK

(Onderstaand logboek kan gebruikt worden om te voldoen aan de eisen, gesteld in artikel 14 van het Warenwetbesluit Attractie- en Speeltoestellen)

|  |   |
|--|---|
| Type indication                                    | Free Play   |
| Product code                                       | FRPE502.041   |
| Name of equipment                                  | Klimklautertoestel  |
| Maximum height of fall                             | 1,0 m   |
| Year of construction                               | 2017  |
| Certificate  | 6310415001  |
| inspection authority                               | Aib Vincotte Nederland<br>Takkebijsters 8, Breda - 4817 BL Breda  |
| Name manufacturer                                  | BOERplay<br>Hyacintstraat 2 - 4255 HX Nieuwendijk<br>Phone: +31 (0)183 40 23 66<br>Fax: +31 (0)183 40 35 64 |
| name installer                                     | _____<br>_____  |
| Description of equipment                           | Combination equipment   |
| Location of equipment                              | _____   |
| Data about the owner of the play equipment         |   |
| Name:  | _____   |
| Address:   | _____   |
| Postcode and town:                                 | _____   |
| Contact person:                                    | _____   |
| Telephone number:                                  | _____   |
| Data about the administrator of the play equipment |   |
| Name:  | _____   |
| Address:   | _____   |
| Postcode and town:                                 | _____   |
| Contact person:                                    | _____   |
| Telephone number:                                  | _____   |

# LOGBOOK

## Inspection and maintenance intervals



| Nr. | Inspection   | Maintenance  | months between inspections |
|-----|--|--|----------------------------|
| 1   | Verify equipment's stability, junctions and missing parts. Inspect bolts, screws and nuts for absence, jams, corrosion and wear. | Add missing parts, secure joints, apply missing fixing agent and replace corroded parts. | 1                          |
| 2   | Check suspension for wear.   | Replace worn parts and/or remove non-functioning parts.                                  | 1                          |
| 3   | Inspect rotating parts such as hinges, rolling-element bearings, etc. for wear and acceptability.                                | Replace worn parts and/or remove non-functioning parts.                                  | 1                          |
| 4   | Check wood for splinters, unacceptable damage and signs of rot. Especially at ground level.                                      | Repair damage. Replace affected wood. Smoothen splintered wood and sharp edges.          | 1                          |
| 5   | Inspect foundation for stability, tearing and coverage.  | Restore foundation and covering material.  | 3                          |
| 6   | Examine rubber and synthetic parts for wear, damage and break.   | Replace original parts.  | 3                          |
| 7   | Inspect metal for corrosion and damage in the coating.   | Restore any damaged coating (after removing rust and applying primer).                   | 6                          |
| 8   | Check ropes, cables, chains and nets for wear and damage. Steel cables and nets which are tensioned must be checked for tension. | Replace parts where necessary. Steel cables and nets must be tensioned.                  | 3                          |
| 9   | Inspect equipment for unsafe changes and additions.  | Remove unsafe additions and correct unsafe changes.                                      | 1                          |
| 10  | Inspect safety surfaces.   | Restore and repair where necessary.  | 1                          |

## Remarks

1. If used intensively, all points require extra attention.
2. Extreme weather conditions and locations may require a higher inspection frequency. Discuss this with the supplier.
3. Vandalism-sensitive locations require stricter inspections, possibly daily.
4. Check the terrain regularly for items that do not belong there, are unsafe or may be used wrongly. Examples are poisonous plants, glass shards, etc. Frequency depends on strain.
5. Remember that bad maintenance leads to unsafe conditions and notably faster impoverishment of the playground area.
6. Replacement parts can be ordered at the manufacturer with the part numbers on the module drawing. Drawings can be found in de user guide.
7. The impact area shall be provided with impact attenuating surface according to the specified falling height.
8. This list is conform the CEN-standard "playground equipment and surfacing NEN-EN 1176-7".

# CERTIFICAAT VAN GOEDKEURING

Afgegeven door AIB-Vinçotte Nederland B.V., aangewezen bij ministeriële beschikking van het Ministerie van Volksgezondheid, Welzijn en Sport, van 29 maart 2001 onder kenmerk GZB/C&O/2162178.

Het certificaat betreft de keuring van een typekenmerkend speeltoestel.

*Certificaat nr.* : 6310415.001

*Afgifte datum cert.* : 1 maart 2006

*Dossier- rapport nr.* : 6310415.001

*Datum keuring* : 1 maart 2006

*Betreft* : Free Play 37.1.502XXXXX

*Soort toestel* : speeltoestel volgens NEN-EN 1176-1 +-3

*Eigenaar - houder* :

*Fabrikant* : Boer Speeltoestellen B.V  
Postbus 10 4255 ZG NIEUWENDIJK (NL)

*Jaar van fabricage* : 2005

*Leverancier* : Boer Speeltoestellen B.V  
Postbus 10 4255 ZG NIEUWENDIJK (NL)

*Jaar van leverantie* : 2005

***Dit certificaat is onbeperkt geldig***

AIB-Vinçotte Nederland B.V. gevestigd aan de Heusing 2 te Breda, verklaart dat het bovenbeschreven toestel voldoet aan de vervaardigingsvoorschriften genoemd in het Warenwet Besluit "Attractie- en Speeltoestellen"

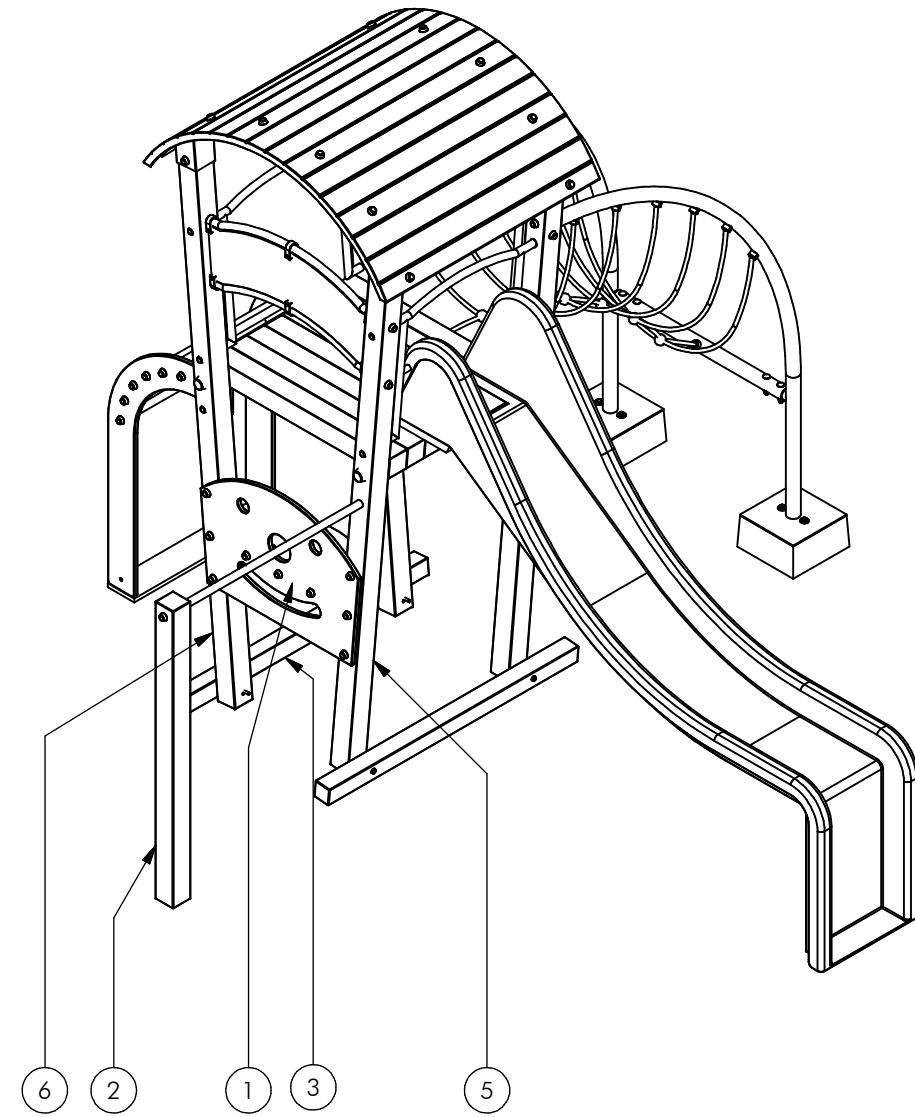
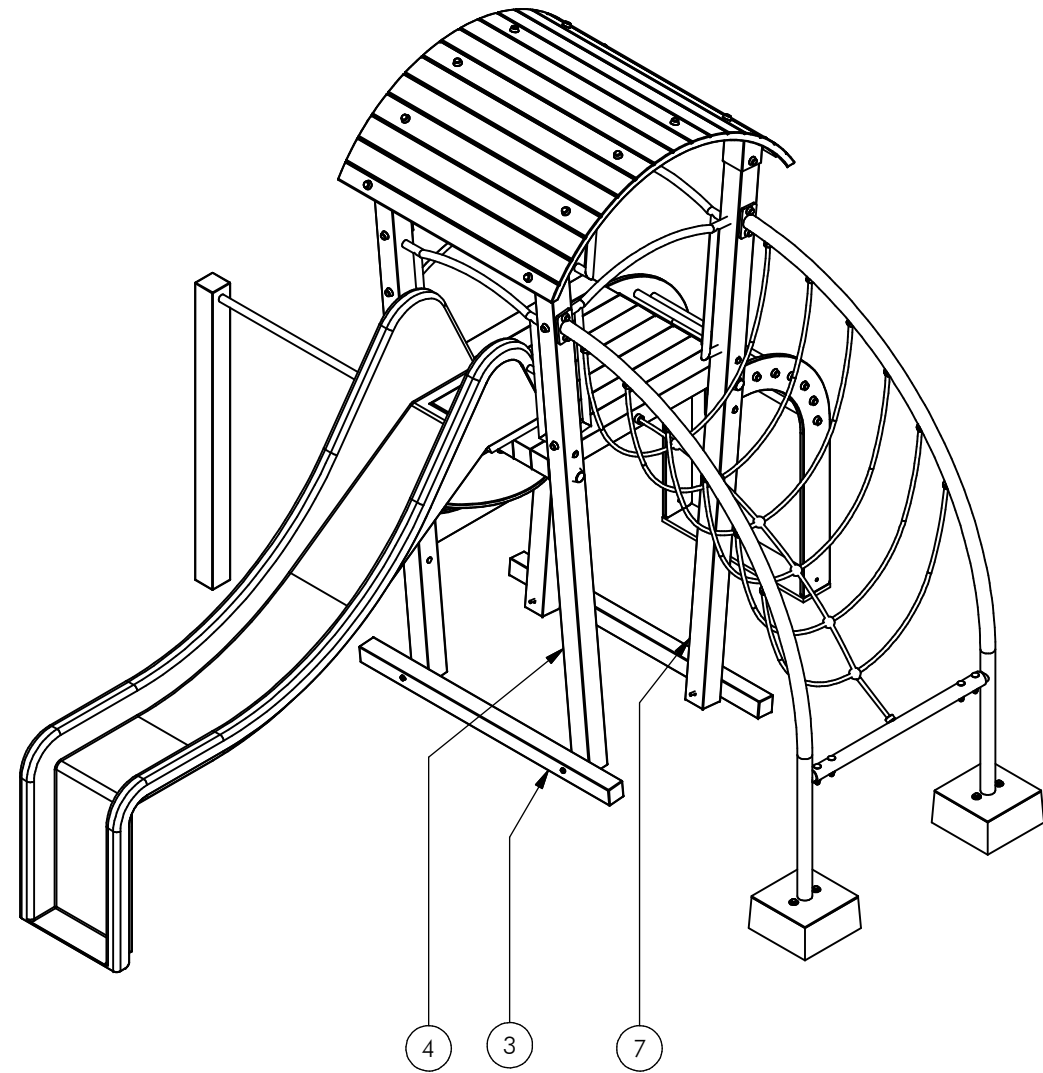
AIB-Vinçotte Nederland B.V.

Namens het bestuur,

  
M. Stoffelen  
Coördinator Attractie & Speeltoestellen

  
M. Verheijen  
Inspecteur





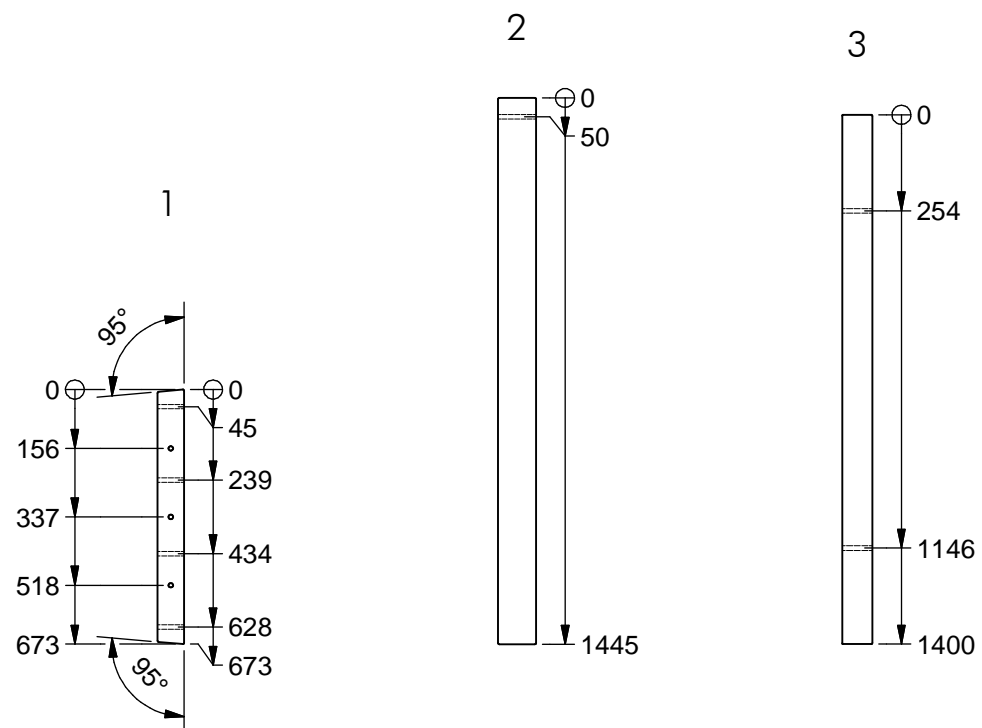
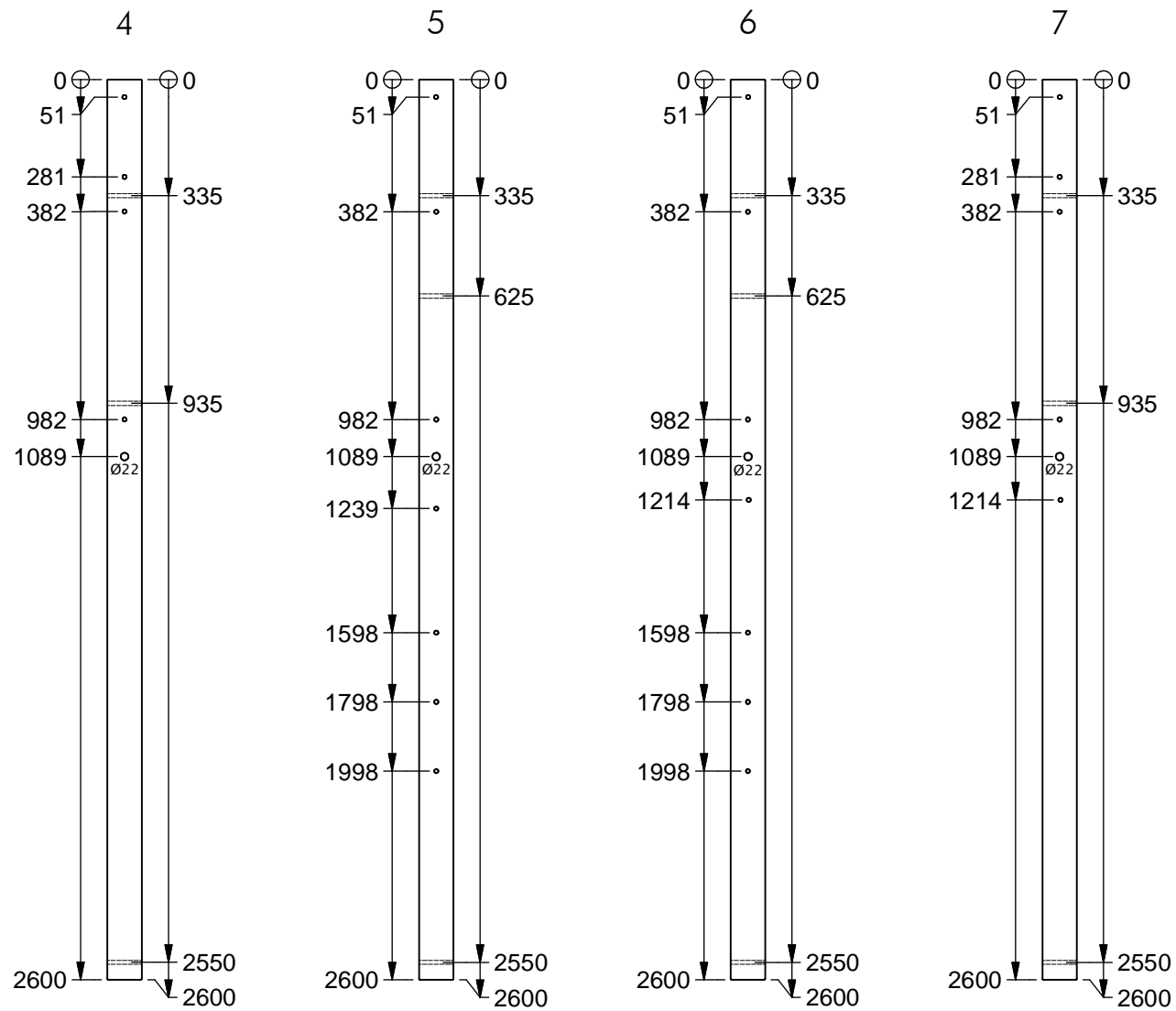
| Nr | # | Type | Progr. | Volgnr | Bew. | Rev. | Benaming  | Opmerking  |
|----|---|------|--------|--------|------|------|-----------|------------|
| 1  | 1 | ORE  | FRP    | 017    | 070  |      | Rebo 674  | Paal 70x70 |
| 2  | 1 | ORE  | FRP    | 022    | 100  | A    | Rebo 1445 | Paal 99x99 |
| 3  | 2 | ORE  | FRP    | 025    | 100  | B    | Rebo 1400 | Paal 80x80 |
| 4  | 1 | ORE  | FRP    | 232    | 100  |      | Rebo 2600 | Paal 99x99 |
| 5  | 1 | ORE  | FRP    | 233    | 100  |      | Rebo 2600 | Paal 99x99 |
| 6  | 1 | ORE  | FRP    | 234    | 100  |      | Rebo 2600 | Paal 99x99 |
| 7  | 1 | ORE  | FRP    | 235    | 100  |      | Rebo 2600 | Paal 99x99 |



Benaming            Staanders  
 Title             
 Opmerking             
 Comment             
 Datum            21-4-2015  
 Date           

Tekening  
 Drawing

**MOD FRP 502 041 A**  
 Samenstelling module *Assembly module*



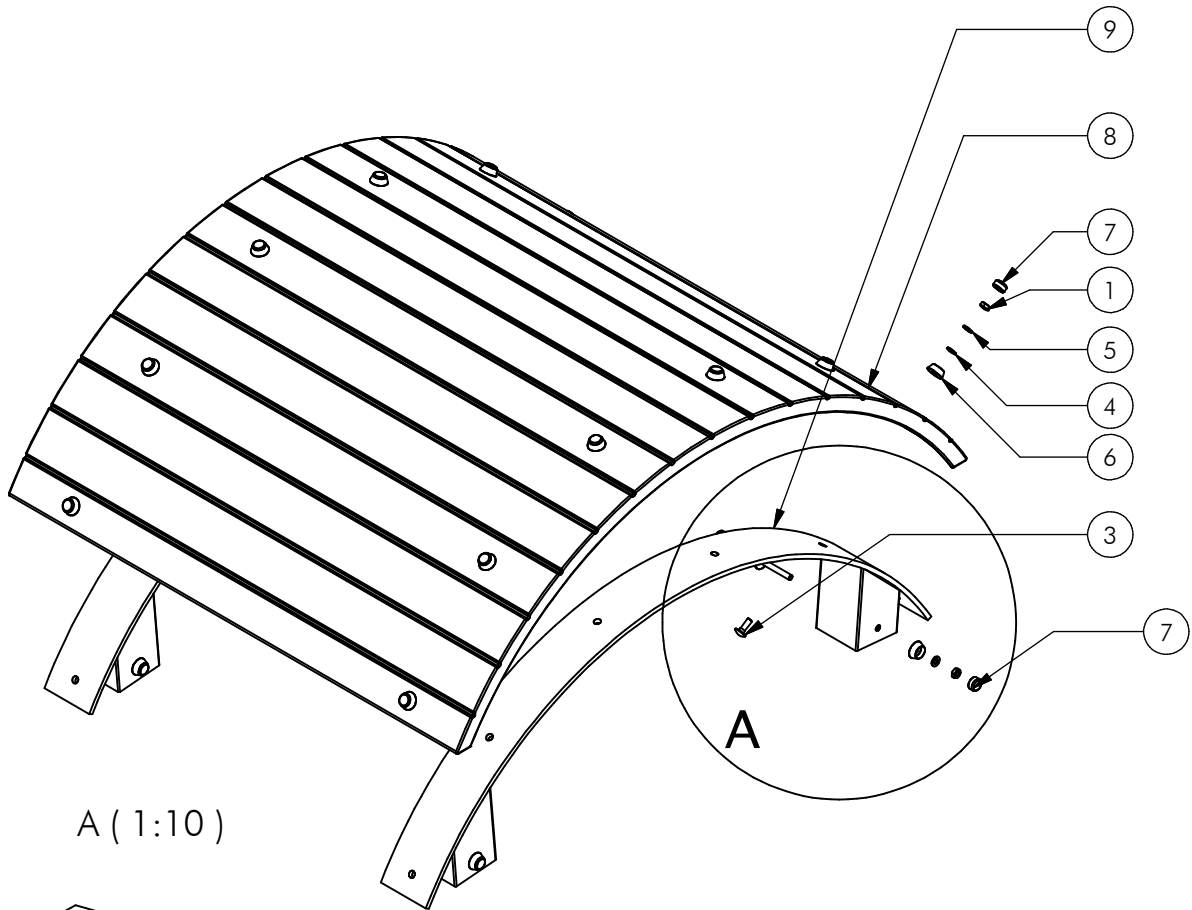
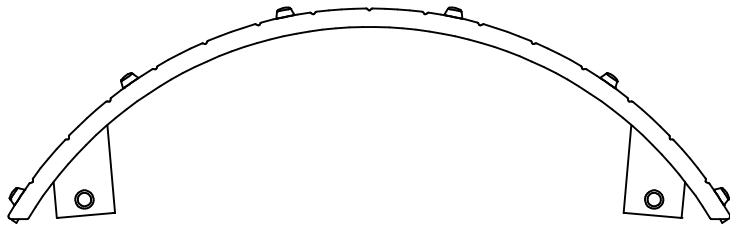
Alle gaten Ø12 mm tenzij anders vermeld.  
 Alle gaten doorboren tenzij anders vermeld.  
 Alle gaten in hart van de paal tenzij anders vermeld.



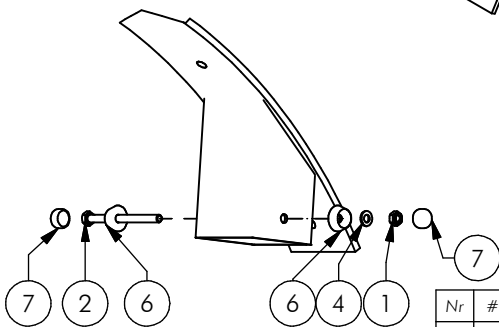
Benaming  
 Title Staanders  
 Opmerking  
 Comment \_\_\_\_\_  
 Datum  
 Date 21-4-2015

Tekening  
 Drawing

**MOD FRP 502 041 A**  
 Zaag- en boorstaat *Cut and drill table*



A (1:10)



| Nr | #  | Type | Progr. | Volgnr | Bew. | Rev. | Benaming                  | Opmerking          |
|----|----|------|--------|--------|------|------|---------------------------|--------------------|
| 1  | 16 | BSV  | 017    | 010    | 008  |      | Zeskantmoer               | M10 - VZ 8.8       |
| 2  | 4  | BSV  | 021    | 010    | 130  |      | Zeskantbout ISO 4014      | M10 x 130 - VZ 8.8 |
| 3  | 12 | BSV  | 026    | 010    | 030  |      | Slotbout                  | M10 x 30 - VZ 8.8  |
| 4  | 16 | BSV  | 030    | 010    | 002  |      | Sluitring                 | M10 - VZ 8.8       |
| 5  | 12 | BSV  | 032    | 010    | 002  |      | Veerring                  | M10 - VZ 8.8       |
| 6  | 20 | KST  | DON    | 011    | 050  |      | interplay donut M10 blauw | 84395000042        |
| 7  | 20 | KST  | DOP    | 011    | 050  |      | interplay dop M10 blauw   | 84395000044        |
| 8  | 1  | POL  | FRP    | 026    | 502  | A    | Polyester overkapping     | Freeplay           |
| 9  | 2  | SME  | FRP    | 034    | 618  |      | Daksteun                  | Freeplay           |

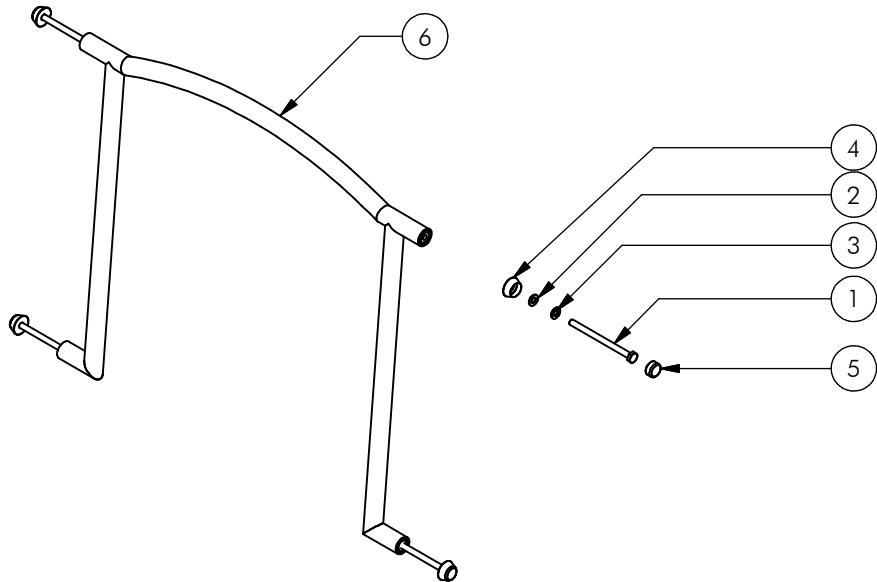
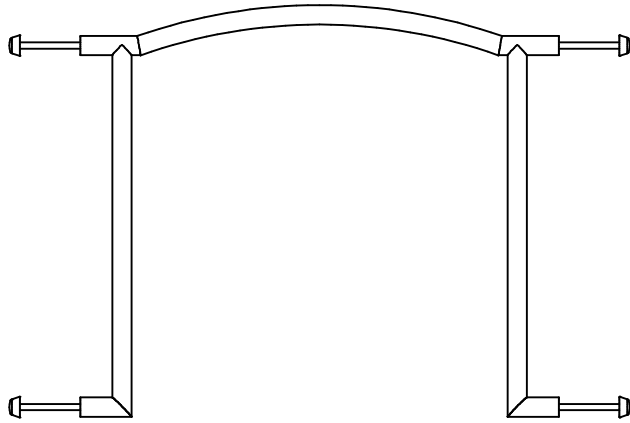


Benaming Title Dak  
 Opmerking Comment Freeplay  
 Datum Date 19-7-2012

Tekening Drawing

MOD FRP KST 001

Samenstelling module Assembly module



| Nr | # | Type | Progr. | Volgnr | Bew. | Rev. | Benaming                  | Opmerking          |
|----|---|------|--------|--------|------|------|---------------------------|--------------------|
| 1  | 4 | BSV  | 021    | 010    | 140  |      | Zeskantbout ISO 4014      | M10 x 140 - VZ 8.8 |
| 2  | 4 | BSV  | 030    | 010    | 002  |      | Sluitring                 | M10 - VZ 8.8       |
| 3  | 4 | BSV  | 032    | 010    | 002  |      | Veerring                  | M10 - VZ 8.8       |
| 4  | 4 | KST  | DON    | 011    | 050  |      | interplay donut M10 blauw | 84395000042        |
| 5  | 4 | KST  | DOP    | 011    | 050  |      | interplay dop M10 blauw   | 84395000044        |
| 6  | 1 | SME  | FRP    | 033    | 618  |      | Terugdringstang B         | Freeplay           |



Benaming  
Title: Portaal recht

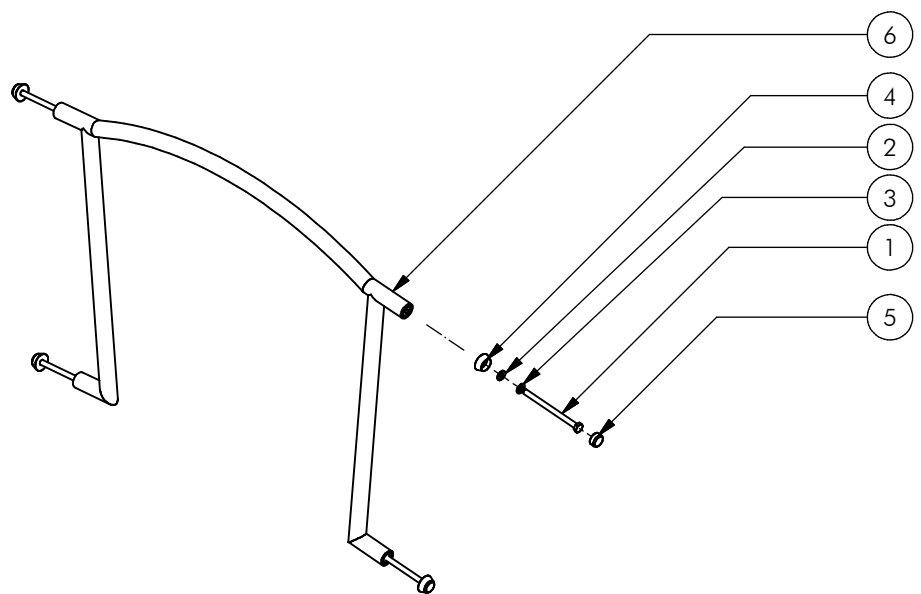
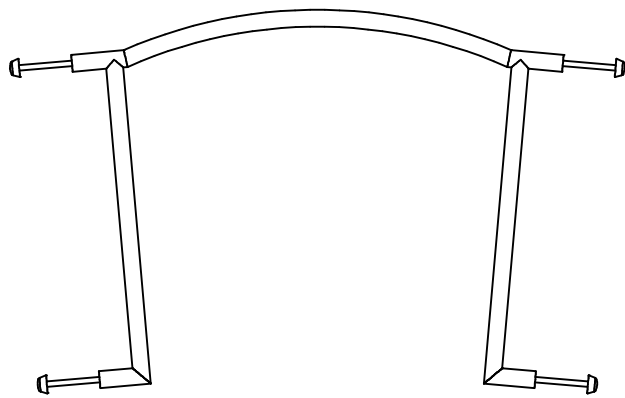
Opmerking  
Comment: Freeplay

Datum  
Date: 23-7-2012

Tekening  
Drawing

**MOD FRP KST 005**

Samenstelling module *Assembly module*



| Nr | # | Type | Progr. | Volgnr | Bew. | Rev. | Benaming                  | Opmerking          |
|----|---|------|--------|--------|------|------|---------------------------|--------------------|
| 1  | 4 | BSV  | 021    | 010    | 140  |      | Zeskantbout ISO 4014      | M10 x 140 - VZ 8.8 |
| 2  | 4 | BSV  | 030    | 010    | 002  |      | Sluiring                  | M10 - VZ 8.8       |
| 3  | 4 | BSV  | 032    | 010    | 002  |      | Veerring                  | M10 - VZ 8.8       |
| 4  | 4 | KST  | DON    | 011    | 050  |      | interplay donut M10 blauw | 84395000042        |
| 5  | 4 | KST  | DOP    | 011    | 050  |      | interplay dop M10 blauw   | 84395000044        |
| 6  | 1 | SME  | FRP    | 027    | 618  |      | Terugdringstang D         | Freeplay           |



Benaming  
Title: Portaal schuin

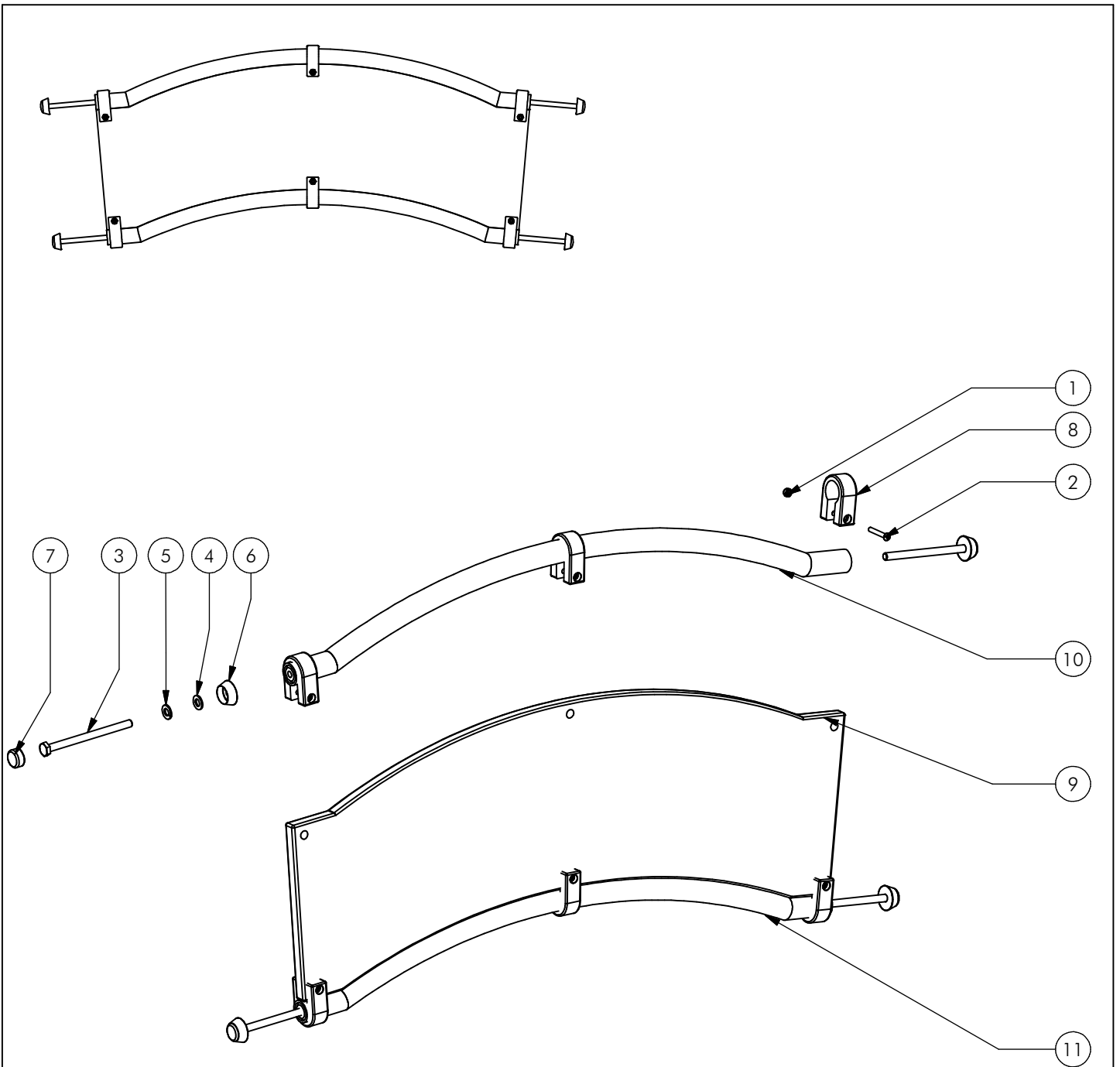
Opmerking  
Comment: Freeplay

Datum  
Date: 23-7-2012

Tekening  
Drawing

# MOD FRP KST 006

Samenstelling module *Assembly module*



| Nr | # | Type | Progr. | Volgnr | Bew. | Rev. | Benaming                  | Opmerking            |
|----|---|------|--------|--------|------|------|---------------------------|----------------------|
| 1  | 6 | BSR  | 010    | 006    | 006  |      | Borgmoer                  | M6 - RVS A2-70       |
| 2  | 6 | BSR  | 025    | 006    | 040  |      | Veiligheids Bout          | Pin-Torx - RVS A2-70 |
| 3  | 4 | BSV  | 021    | 010    | 140  |      | Zeskantbout ISO 4014      | M10 x 140 - VZ 8.8   |
| 4  | 4 | BSV  | 030    | 010    | 002  |      | Sluitring                 | M10 - VZ 8.8         |
| 5  | 4 | BSV  | 032    | 010    | 002  |      | Veerring                  | M10 - VZ 8.8         |
| 6  | 4 | KST  | DON    | 011    | 050  |      | interplay donut M10 blauw | 84395000042          |
| 7  | 4 | KST  | DOP    | 011    | 050  |      | interplay dop M10 blauw   | 84395000044          |
| 8  | 6 | KST  | KLM    | 032    | 070  |      | Kunststof Klem            | tbv Buis Ø32         |
| 9  | 1 | OPE  | FRP    | 019    | 050  | A    | Wandje railing            | Freeplay             |
| 10 | 1 | SME  | FRP    | 043    | 618  |      | Leuningstang A            | Freeplay             |
| 11 | 1 | SME  | FRP    | 044    | 618  |      | Leuningstang B            | Freeplay             |



Benaming  
Title | Wandje railing

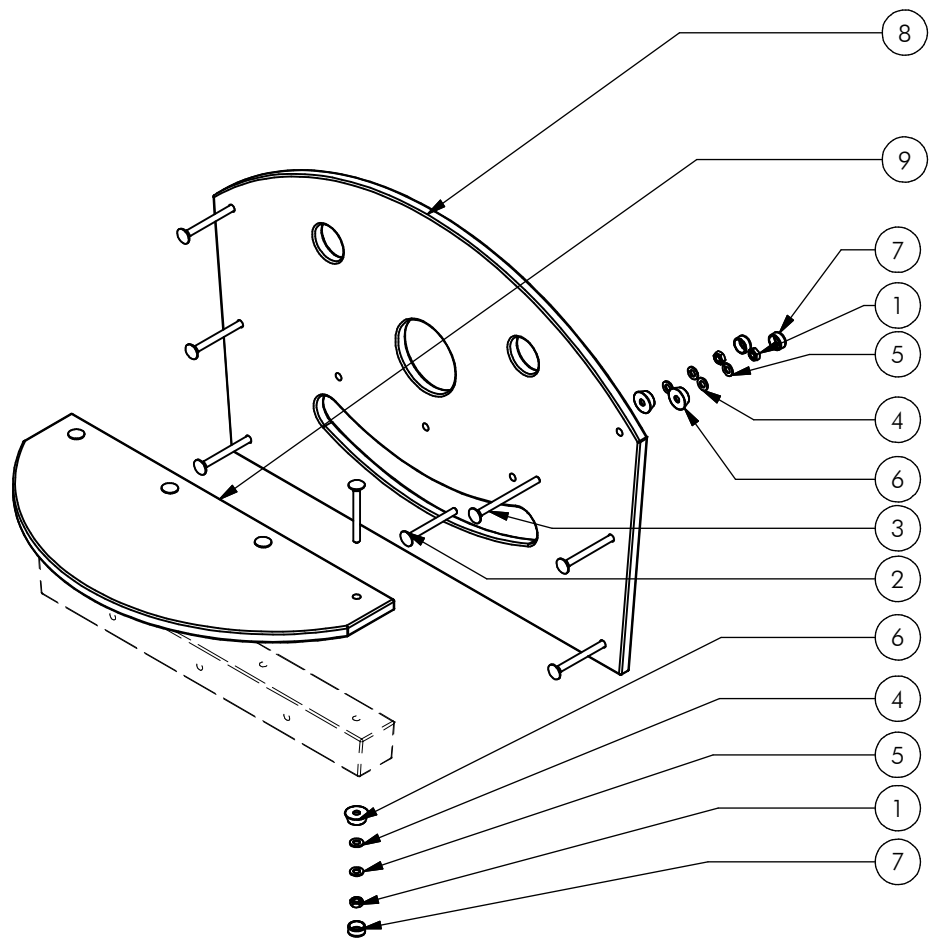
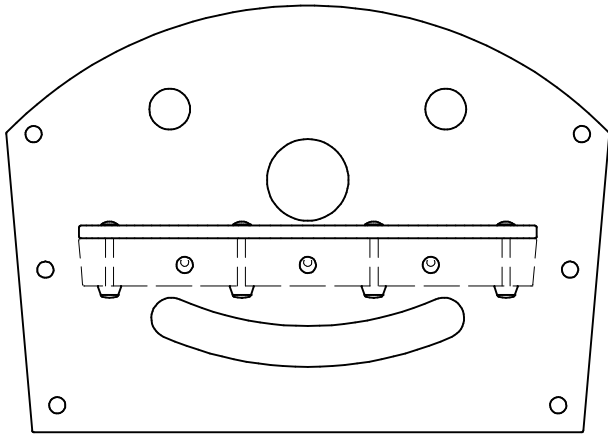
Opmerking  
Comment | Freeplay

Datum  
Date | 24-7-2012

Tekening  
Drawing

# MOD FRP KST 008

Samenstelling module Assembly module



| Nr | #  | Type | Progr. | Volgnr | Bew. | Rev. | Benaming                  | Opmerking          |
|----|----|------|--------|--------|------|------|---------------------------|--------------------|
| 1  | 17 | BSV  | 017    | 010    | 008  |      | Zeskantmoer               | M10 - VZ 8.8       |
| 2  | 11 | BSV  | 026    | 010    | 100  |      | Slotbout                  | M10 x 100 - VZ 8.8 |
| 3  | 6  | BSV  | 026    | 010    | 130  |      | Slotbout                  | M10 x 130 - VZ 8.8 |
| 4  | 17 | BSV  | 030    | 010    | 002  |      | Sluitring                 | M10 - VZ 8.8       |
| 5  | 17 | BSV  | 032    | 010    | 002  |      | Veerring                  | M10 - VZ 8.8       |
| 6  | 17 | KST  | DON    | 011    | 050  |      | interplay donut M10 blauw | 84395000042        |
| 7  | 17 | KST  | DOP    | 011    | 050  |      | interplay dop M10 blauw   | 84395000044        |
| 8  | 1  | OPE  | FRP    | 015    | 050  | A    | Gezichtplaat              | Freeplay           |
| 9  | 1  | OPE  | FRP    | 016    | 050  | A    | Zitje                     | Freeplay           |



Benaming  
Title: Onderplaat zitje/gezicht

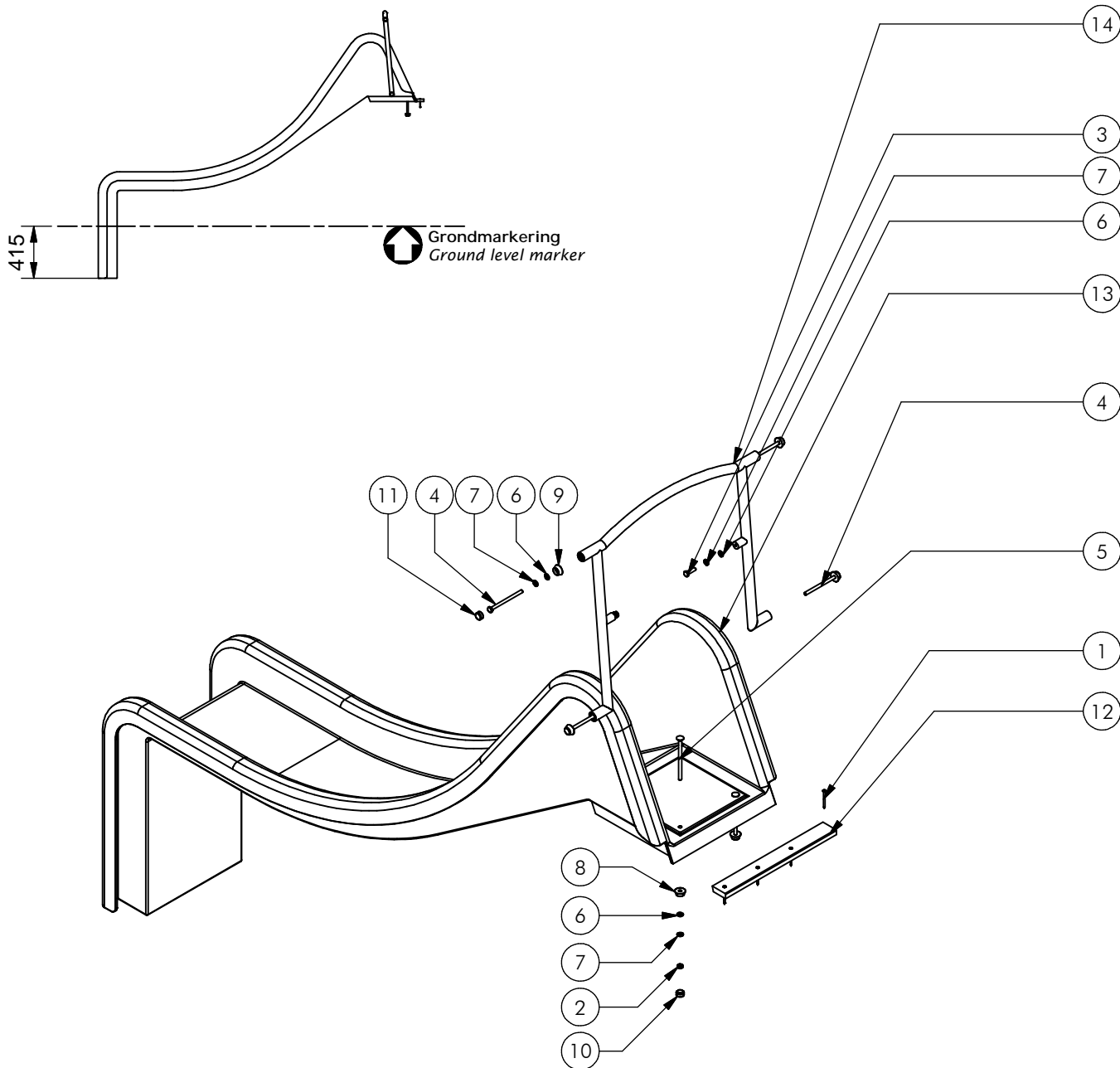
Opmerking  
Comment: Freeplay

Datum  
Date: 13-8-2012

Tekening  
Drawing

# MOD FRP KST 020

Samenstelling module *Assembly module*



| Nr | # | Type | Progr. | Volgnr | Bew. | Rev. | Benaming                  | Opmerking          |
|----|---|------|--------|--------|------|------|---------------------------|--------------------|
| 1  | 4 | BSV  | 004    | 005    | 070  |      | Schroef verz.             | 5 x70 - VZ 8.8     |
| 2  | 2 | BSV  | 017    | 010    | 008  |      | Zeskantmoer               | M10 - VZ 8.8       |
| 3  | 2 | BSV  | 021    | 010    | 035  |      | Zeskantbout ISO 4014      | M10 x 35 - VZ 8.8  |
| 4  | 4 | BSV  | 021    | 010    | 140  |      | Zeskantbout ISO 4014      | M10 x 140 - VZ 8.8 |
| 5  | 2 | BSV  | 026    | 010    | 160  |      | Slotbout                  | M10 x 160 - VZ 8.8 |
| 6  | 8 | BSV  | 030    | 010    | 002  |      | Sluitring                 | M10 - VZ 8.8       |
| 7  | 8 | BSV  | 032    | 010    | 002  |      | Veerring                  | M10 - VZ 8.8       |
| 8  | 2 | KST  | DON    | 011    | 090  |      | interplay donut           | zwart              |
| 9  | 4 | KST  | DON    | 011    | 050  |      | interplay donut M10 blauw | 84395000042        |
| 10 | 2 | KST  | DOP    | 011    | 090  |      | interplay dop             | zwart              |
| 11 | 4 | KST  | DOP    | 011    | 050  |      | interplay dop M10 blauw   | 84395000044        |
| 12 | 1 | KST  | FRP    | 039    | LPE  |      | LDPE strip                | Freeplay           |
| 13 | 1 | POL  | FRP    | 027    | 001  |      | Glijbaan                  | Polyester          |
| 14 | 1 | SME  | FRP    | 032    | 618  |      | Terugdringstang A         | Freeplay           |



Benaming  
Title Glijbaan

Opmerking  
Comment Freeplay

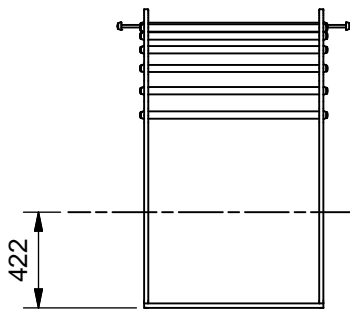
Datum  
Date 31-7-2012

Tekening  
Drawing

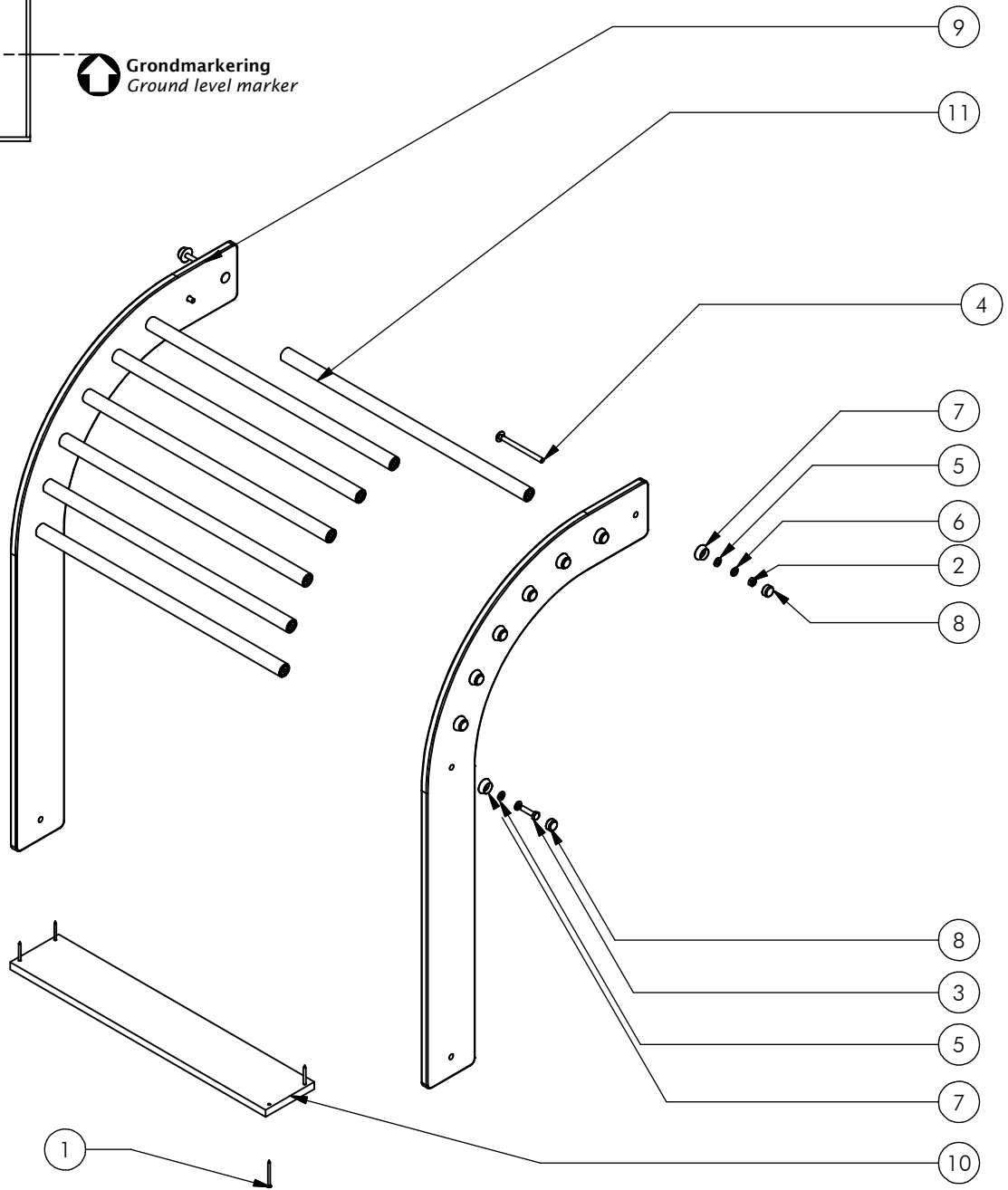
# MOD FRP KST 030

Samenstelling module Assembly module





Grondmarkering  
Ground level marker



| Nr | #  | Type | Progr. | Volgnr | Bew. | Rev. | Benaming                  | Opmerking          |
|----|----|------|--------|--------|------|------|---------------------------|--------------------|
| 1  | 4  | BSV  | 004    | 005    | 070  |      | Schroef verz.             | 5 x70 - VZ 8.8     |
| 2  | 2  | BSV  | 017    | 010    | 008  |      | Zeskantmoer               | M10 - VZ 8.8       |
| 3  | 14 | BSV  | 021    | 010    | 040  |      | Zeskantbout ISO 4014      | M10 x 40 - VZ 8.8  |
| 4  | 2  | BSV  | 026    | 010    | 130  |      | Slotbout                  | M10 x 130 - VZ 8.8 |
| 5  | 16 | BSV  | 030    | 010    | 002  |      | Sluitring                 | M10 - VZ 8.8       |
| 6  | 16 | BSV  | 032    | 010    | 002  |      | Veerring                  | M10 - VZ 8.8       |
| 7  | 16 | KST  | DON    | 011    | 050  |      | interplay donut M10 blauw | 84395000042        |
| 8  | 16 | KST  | DOP    | 011    | 050  |      | interplay dop M10 blauw   | 84395000044        |
| 9  | 2  | KST  | FRP    | 018    | HPE  |      | Steun klimboog            | Freeplay           |
| 10 | 1  | OPE  | FRP    | 040    | 050  | B    | Grondplaat klimboog       | Freeplay           |
| 11 | 7  | SME  | FRP    | 036    | 618  |      | Klimboogtrede             | Freeplay           |



Benaming  
Title Klimboog

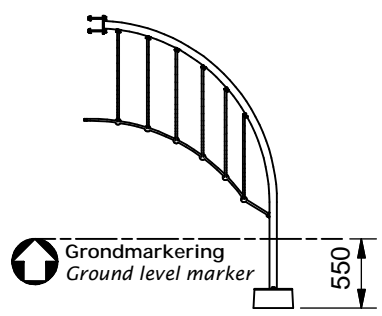
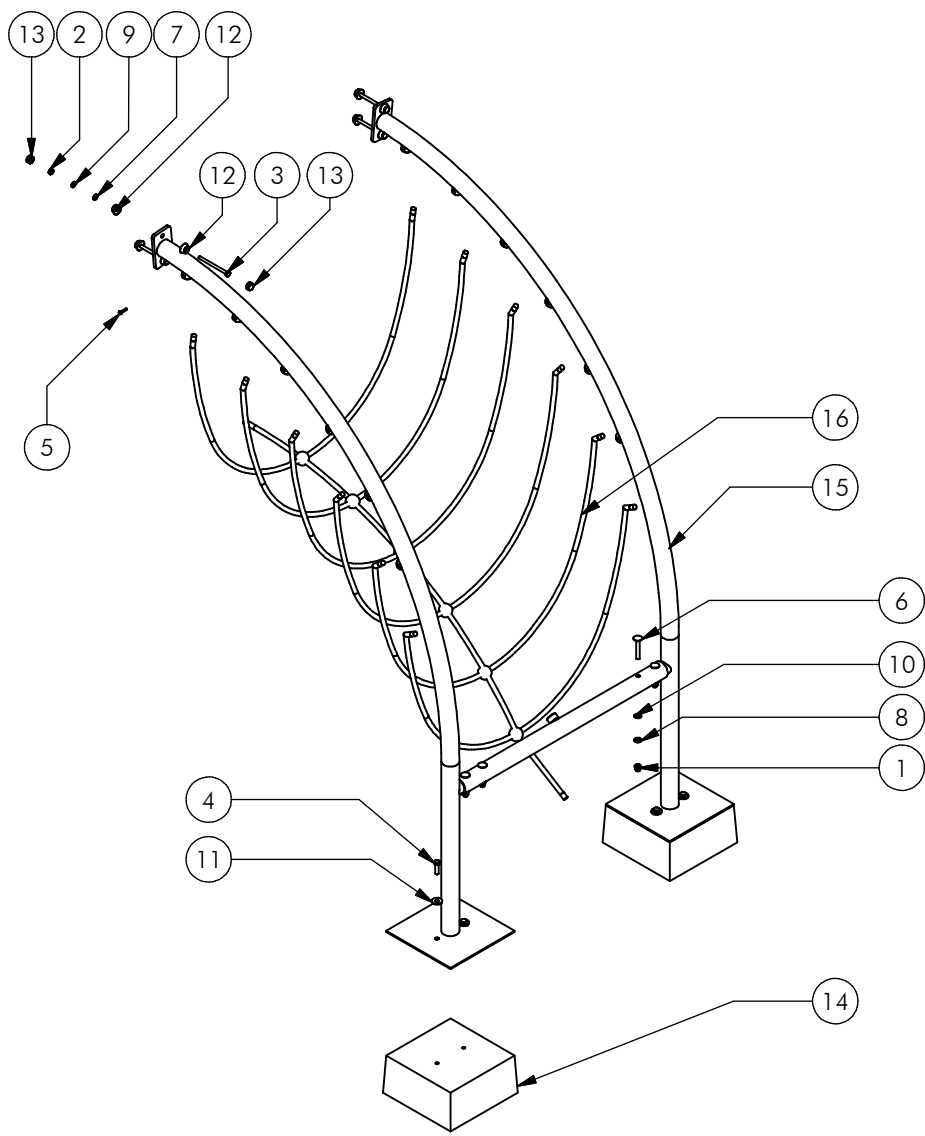
Opmerking  
Comment Freeplay

Datum  
Date 23-7-2012

Tekening  
Drawing

# MOD FRP KST 032

Samenstelling module Assembly module



| Nr | #  | Type | Progr. | Volgnr | Bew. | Rev. | Benaming                   | Opmerking          |
|----|----|------|--------|--------|------|------|----------------------------|--------------------|
| 1  | 4  | BSV  | 012    | 012    | 025  |      | Dopmoer                    | M12 - VZ 8.8       |
| 2  | 4  | BSV  | 017    | 010    | 008  |      | Zeskantmoer                | M10 - VZ 8.8       |
| 3  | 4  | BSV  | 021    | 010    | 130  |      | Zeskantbout ISO 4014       | M10 x 130 - VZ 8.8 |
| 4  | 4  | BSV  | 021    | 012    | 040  |      | Zeskantbout ISO 4014       | M12 x 40 - VZ 8.8  |
| 5  | 13 | BSV  | 025    | 006    | 030  |      | Veiligheidsschroef Rowocon | M6 x 30 - VZ 8.8   |
| 6  | 4  | BSV  | 026    | 012    | 080  |      | Slotbout                   | M12 x 80 - VZ 8.8  |
| 7  | 4  | BSV  | 030    | 010    | 002  |      | Sluitring                  | M10 - VZ 8.8       |
| 8  | 4  | BSV  | 030    | 012    | 003  |      | Sluitring                  | M12 - VZ 8.8       |
| 9  | 4  | BSV  | 032    | 010    | 002  |      | Veerring                   | M10 - VZ 8.8       |
| 10 | 4  | BSV  | 032    | 012    | 002  |      | Veerring                   | M12 - VZ 8.8       |
| 11 | 4  | BSV  | 035    | 012    | 035  |      | Carrossiering              | M12 x 35 - VZ 8.8  |
| 12 | 8  | KST  | DON    | 011    | 050  |      | interplay donut M10 blauw  | 84395000042        |
| 13 | 8  | KST  | DOP    | 011    | 050  |      | interplay dop M10 blauw    | 84395000044        |
| 14 | 2  | OBT  | POE    | 009    | 033  |      | POER                       | MODEL 9            |
| 15 | 1  | SME  | FRP    | 054    | 618  |      | Touwbrug frame             | Freeplay           |
| 16 | 1  | SNT  | FRP    | 008    | ZWT  |      | Klimboog net               | Freeplay           |

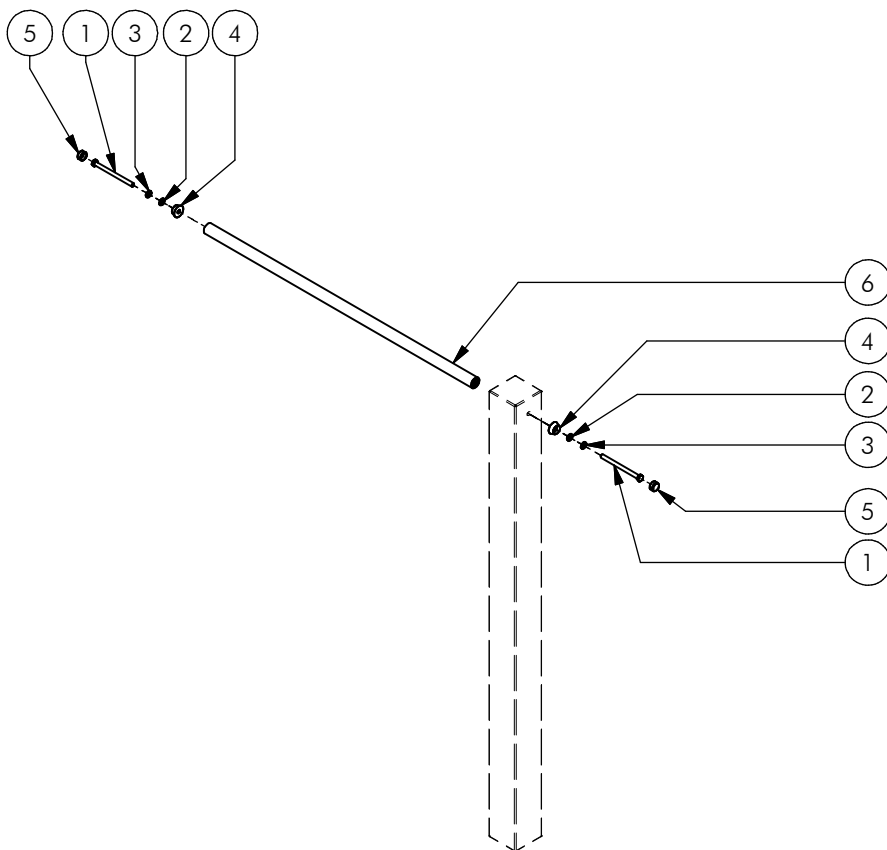
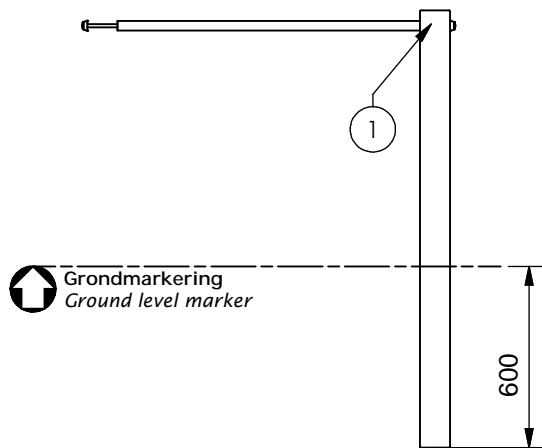


Benaming Title Klimboog net  
 Opmerking Comment Freeplay  
 Datum Date 13-8-2012

Tekening Drawing

**MOD FRP KST 041**

Samenstelling module Assembly module



| Nr | # | Type | Progr. | Volgnr | Bew. | Rev. | Benaming                  | Opmerking          |
|----|---|------|--------|--------|------|------|---------------------------|--------------------|
| 1  | 2 | BSV  | 021    | 010    | 140  |      | Zeskantbout ISO 4014      | M10 x 140 - VZ 8.8 |
| 2  | 2 | BSV  | 030    | 010    | 002  |      | Sluitering                | M10 - VZ 8.8       |
| 3  | 2 | BSV  | 032    | 010    | 002  |      | Veerring                  | M10 - VZ 8.8       |
| 4  | 2 | KST  | DON    | 011    | 050  |      | interplay donut M10 blauw | 84395000042        |
| 5  | 2 | KST  | DOP    | 011    | 050  |      | interplay dop M10 blauw   | 84395000044        |
| 6  | 1 | SME  | FRP    | 048    | 618  | B    | Duikelstang               | Freeplay           |



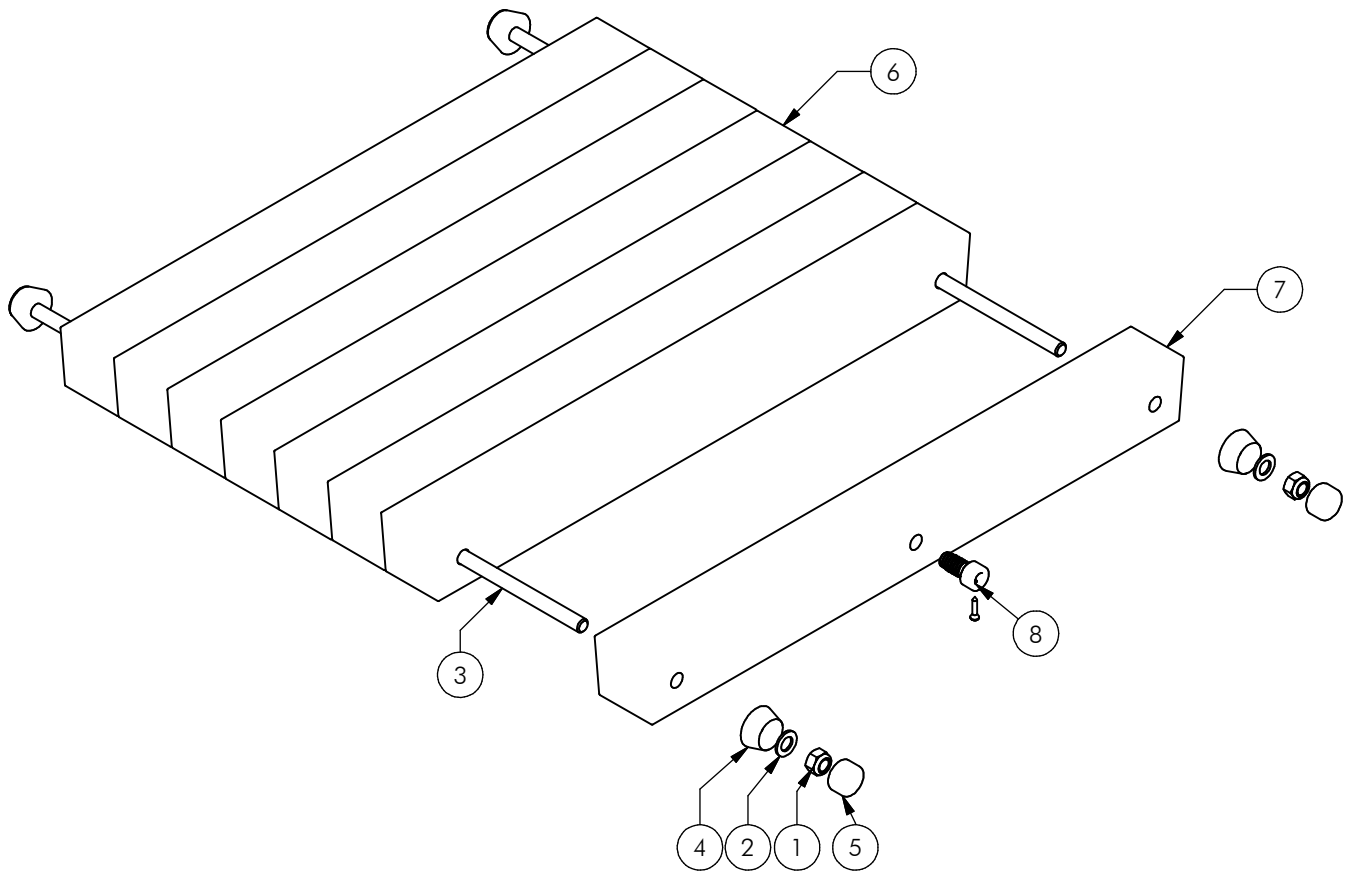
Benaming  
Title: Aanbouwduikel

Opmerking  
Comment: Freeplay

Datum  
Date: 20-3-2014

Tekening  
Drawing

**MOD FRP KST 056 B**  
 Samenstelling module *Assembly module*



| Nr | # | Type | Progr. | Volgnr | Bew. | Rev. | Benaming          | Opmerking           |
|----|---|------|--------|--------|------|------|-------------------|---------------------|
| 1  | 4 | BSV  | 010    | 020    | 030  |      | Borgmoer          | M20 - VZ 8.8        |
| 2  | 4 | BSV  | 030    | 020    | 003  |      | Sluitring         | M20 - VZ 8.8        |
| 3  | 2 | BSV  | 060    | 020    | 1050 |      | Draadeind         | M20 x 1050 - VZ 8.8 |
| 4  | 4 | KST  | DON    | 020    | 090  |      | Miniplay ring M20 | art.nr.823950000161 |
| 5  | 4 | KST  | DOP    | 012    | 090  |      | Miniplay dop      | art.nr.823950000162 |
| 6  | 7 | ORE  | FRP    | 024    | 100  | A    | Rebo 1005         | Paal 99x99          |
| 7  | 1 | ORE  | FRP    | 069    | 100  | A    | Rebo 1005         | Paal 99x99          |
| 8  | 1 | SMD  | BUS    | 002    | RVS  |      | Bus + VZ schroef  | Touw 16 mm          |



Benaming  
Title Vloer 995 mm

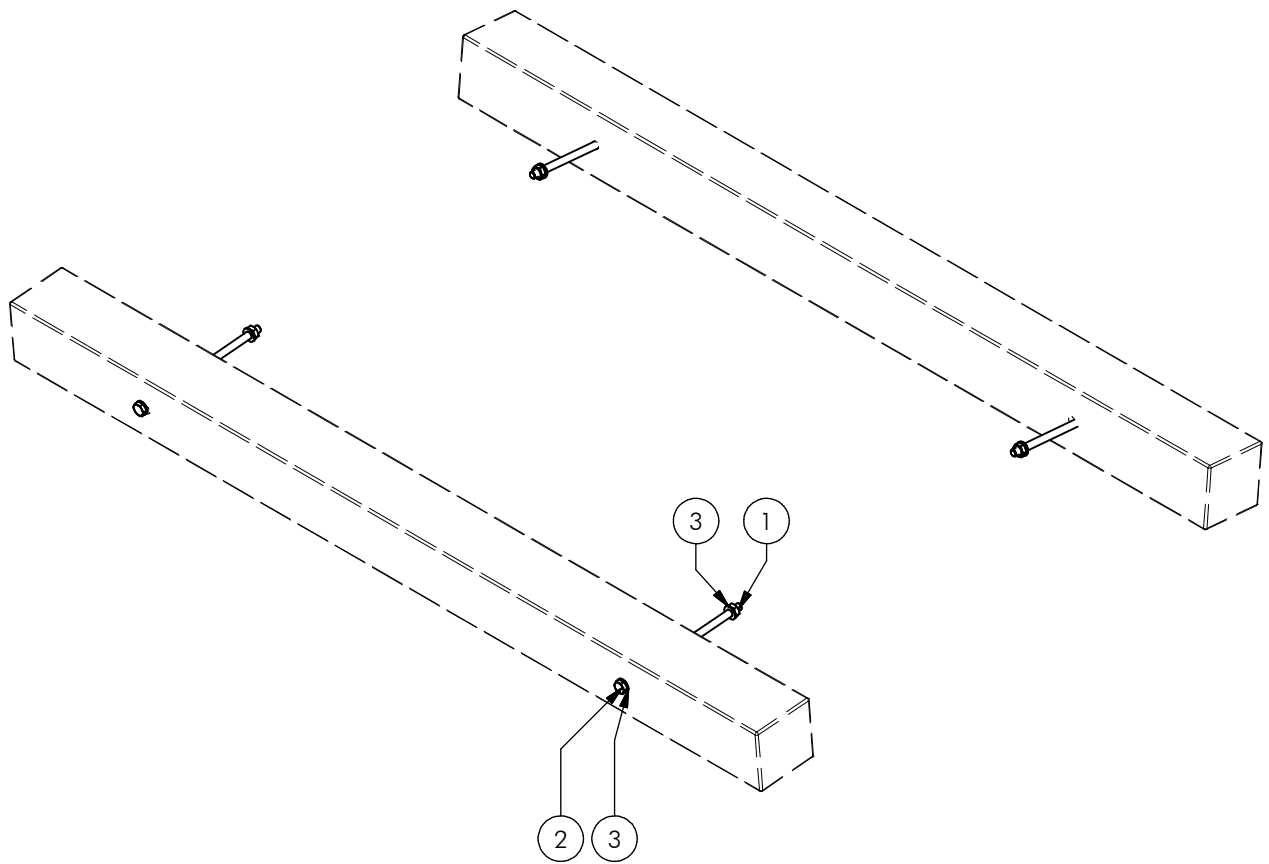
Opmerking  
Comment Vloer Klimwand/boog

Datum  
Date 16-4-2015

Tekening  
Drawing

# MOD FRP KST 079

Samenstelling module Assembly module



| Nr | #  | Type | Progr. | Volgnr | Bew. | Rev. | Benaming             | Opmerking          |
|----|----|------|--------|--------|------|------|----------------------|--------------------|
| 1  | 8  | BSV  | 017    | 010    | 008  |      | Zeskantmoer          | M10 - VZ 8.8       |
| 2  | 8  | BSV  | 021    | 010    | 220  |      | Zeskantbout ISO 4014 | M10 x 220 - VZ 8.8 |
| 3  | 16 | BSV  | 030    | 010    | 002  |      | Sluitring            | M10 - VZ 8.8       |



Benaming  
Title Schoren

Opmerking  
Comment incl. bevestiging

Datum  
Date 17-4-2015

Tekening  
Drawing

# MOD FRP KST 080

Samenstelling module *Assembly module*