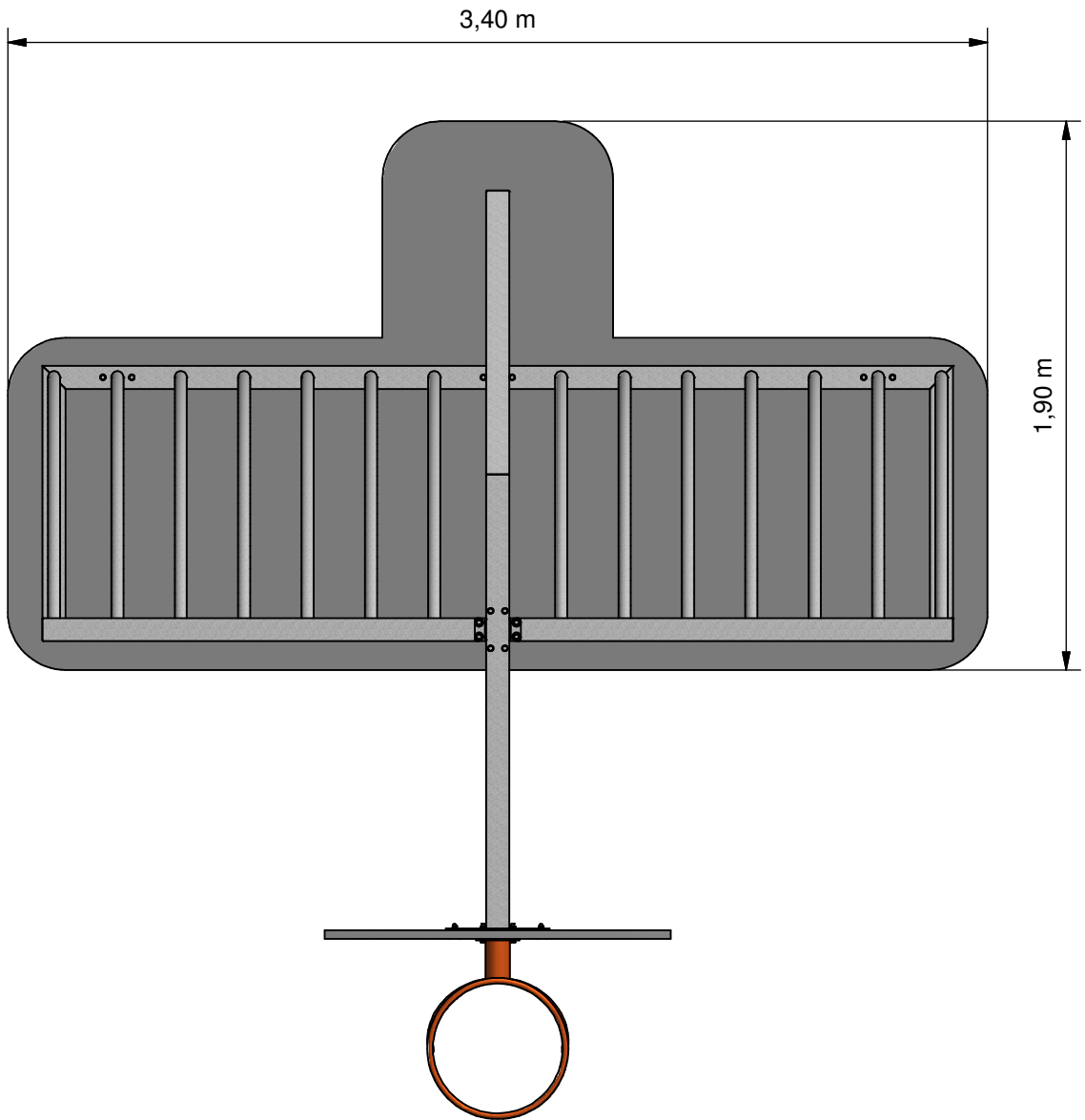




Sport goal & Basket



SPT E230.038



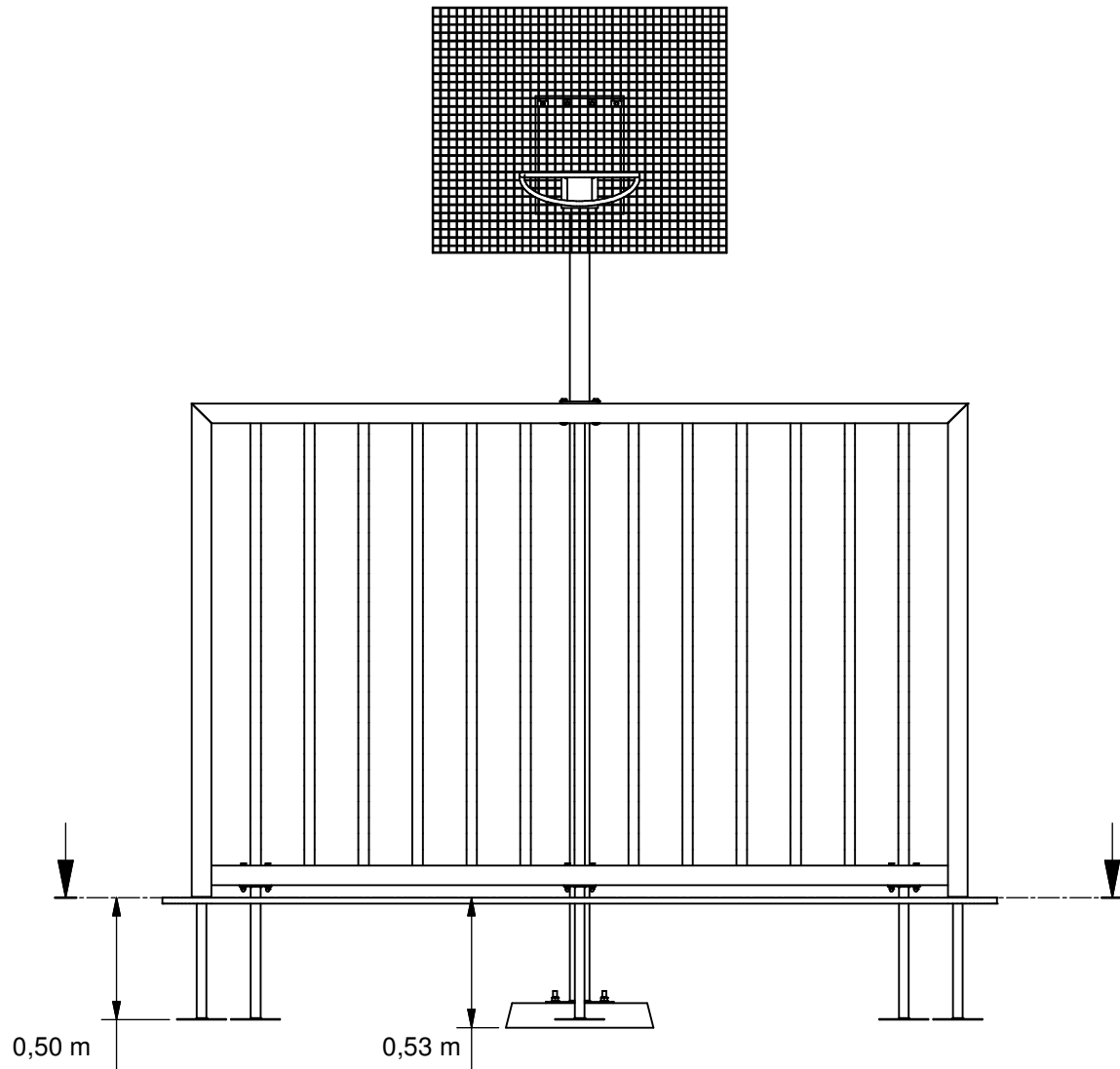
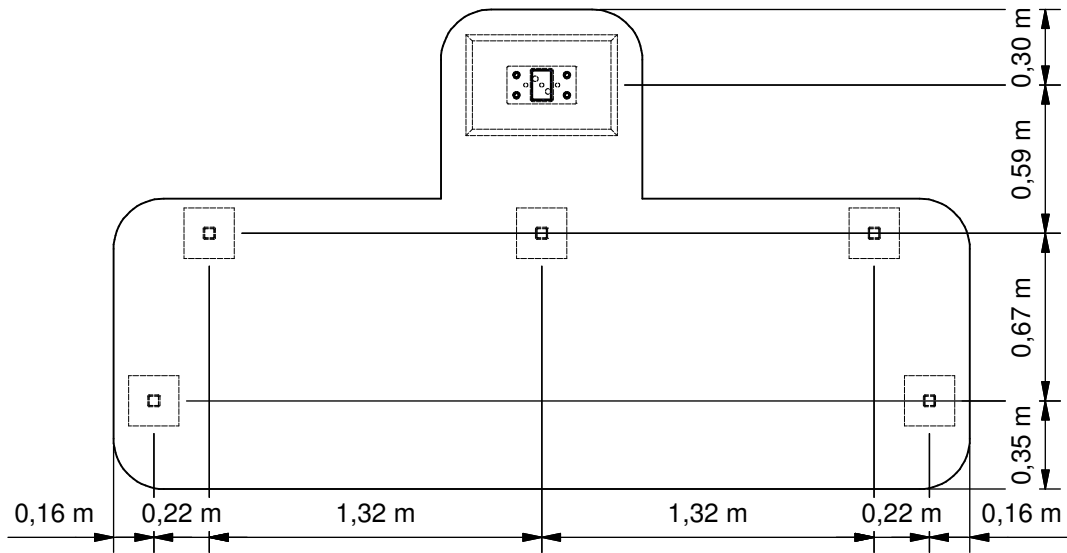
- Opvangzone
Impact area
- Obstakelvrije zone
Obstacle free zone



Benaming / Title: Sportveld 230
 Opmerking / Comment: Rooster + Alu Ring
 Datum / Date: 7-7-2014

Tekening / Drawing

TOE SPT 230 038 B
 Obstakelvrije zone *Obstacle free zone*



Benaming
Title Sportveld 230

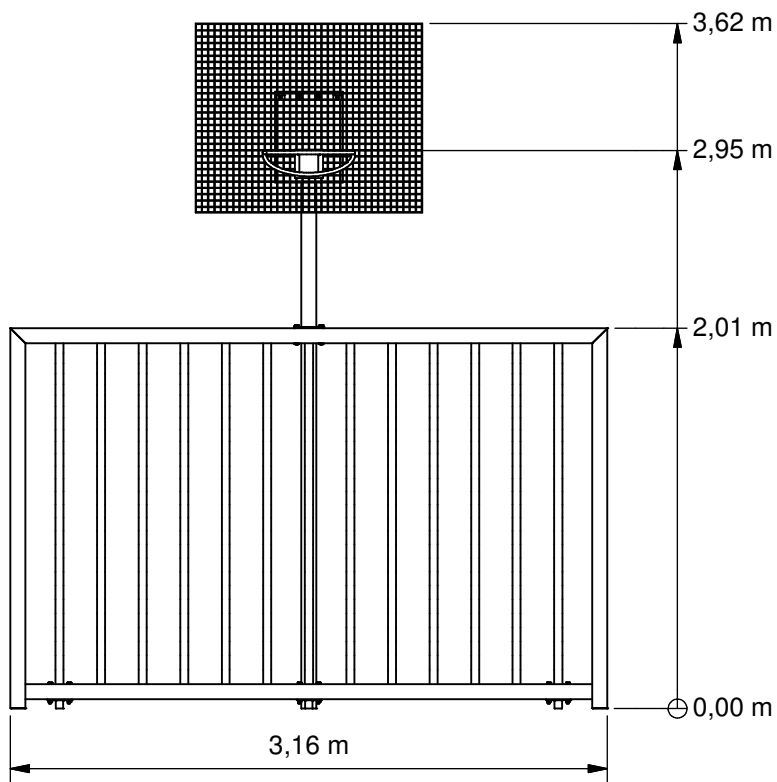
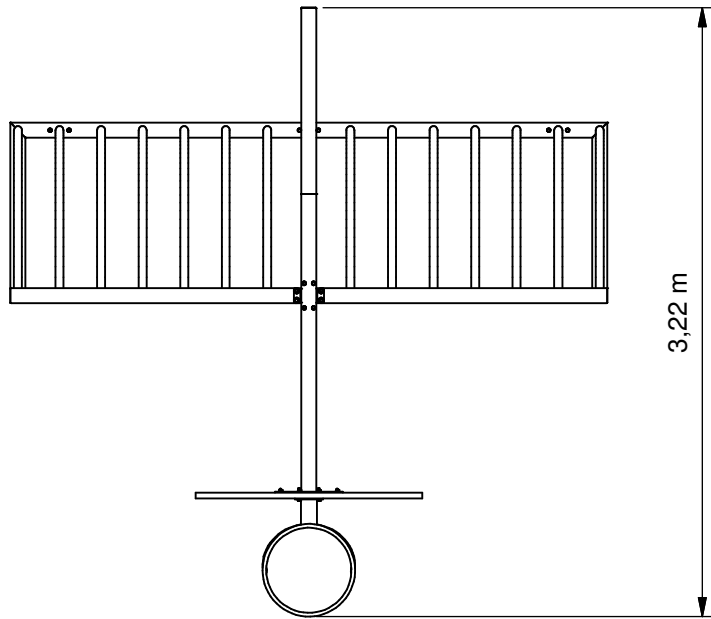
Opmerking
Comment Rooster + Alu Ring

Datum
Date 7-7-2014

Tekening
Drawing

TOE SPT 230 038 B

Bodemplan *Groundplan*



Benaming
Title Sportveld 230

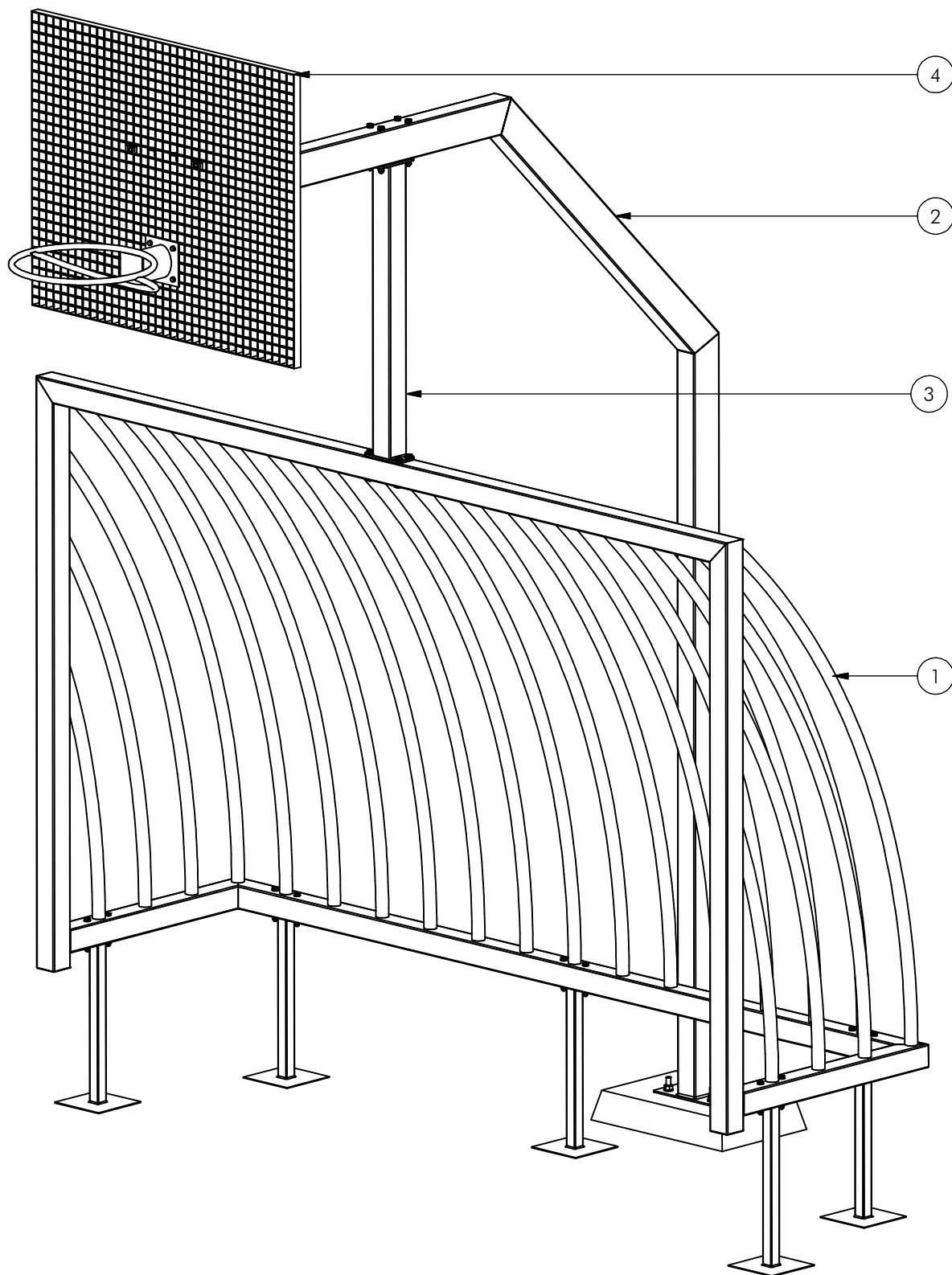
Opmerking
Comment Rooster + Alu Ring

Datum
Date 7-7-2014

Tekening
Drawing

TOE SPT 230 038 B

Afmetingen Dimensions



Nr	#	Type	Progr.	Volgnr	Bew.	Rev.	Benaming	Opmerking
1	1	MOD	SPT	006	033		Maxigoal met grondankers	SPT
2	1	MOD	SPT	006	105		Basket Paal	Sport
3	1	MOD	SPT	037	311	B	Paal op Maxi Goal	tot Basket Paal
4	1	MOD	SPT	042	001	A	Rooster met ALU Ring	



Benaming
Title Sportveld 230

Opmerking
Comment Rooster + Alu Ring

Datum
Date 7-7-2014

Tekening
Drawing

TOE SPT 230 038 B

Modules Modules

SPTE230.038

Sport goal & Basket

LOGBOOK

(Onderstaand logboek kan gebruikt worden om te voldoen aan de eisen, gesteld in artikel 14 van het Warenwetbesluit Attractie- en Speeltoestellen)

Type indication	Sports equipment
Product code	SPTE230.038
Name of equipment	Losstaande Sport Goal & Basket
Maximum height of fall	n.a.
Year of construction	2017
Certificate	0183402366
inspection authority	NVT -
Name manufacturer	BOERplay Hyacintstraat 2 - 4255 HX Nieuwendijk Phone: +31 (0)183 40 23 66 Fax: +31 (0)183 40 35 64
name installer	_____ _____
Description of equipment	Sport goal & Basket
Location of equipment	_____
Data about the owner of the play equipment	
Name:	_____
Address:	_____
Postcode and town:	_____
Contact person:	_____
Telephone number:	_____
Data about the administrator of the play equipment	
Name:	_____
Address:	_____
Postcode and town:	_____
Contact person:	_____
Telephone number:	_____

LOGBOOK

Inspection and maintenance intervals



Nr.	Inspection	Maintenance	months between inspections
1	Verify equipment's stability, junctions and missing parts. Inspect bolts, screws and nuts for absence, jams, corrosion and wear.	Add missing parts, secure joints, apply missing fixing agent and replace corroded parts.	1
2	Check suspension for wear.	Replace worn parts and/or remove non-functioning parts.	1
3	Inspect rotating parts such as hinges, rolling-element bearings, etc. for wear and acceptability.	Replace worn parts and/or remove non-functioning parts.	1
4	Check wood for splinters, unacceptable damage and signs of rot. Especially at ground level.	Repair damage. Replace affected wood. Smoothen splintered wood and sharp edges.	1
5	Inspect foundation for stability, tearing and coverage.	Restore foundation and covering material.	3
6	Examine rubber and synthetic parts for wear, damage and break.	Replace original parts.	3
7	Inspect metal for corrosion and damage in the coating.	Restore any damaged coating (after removing rust and applying primer).	6
8	Check ropes, cables, chains and nets for wear and damage. Steel cables and nets which are tensioned must be checked for tension.	Replace parts where necessary. Steel cables and nets must be tensioned.	3
9	Inspect equipment for unsafe changes and additions.	Remove unsafe additions and correct unsafe changes.	1
10	Inspect safety surfaces.	Restore and repair where necessary.	1

Remarks

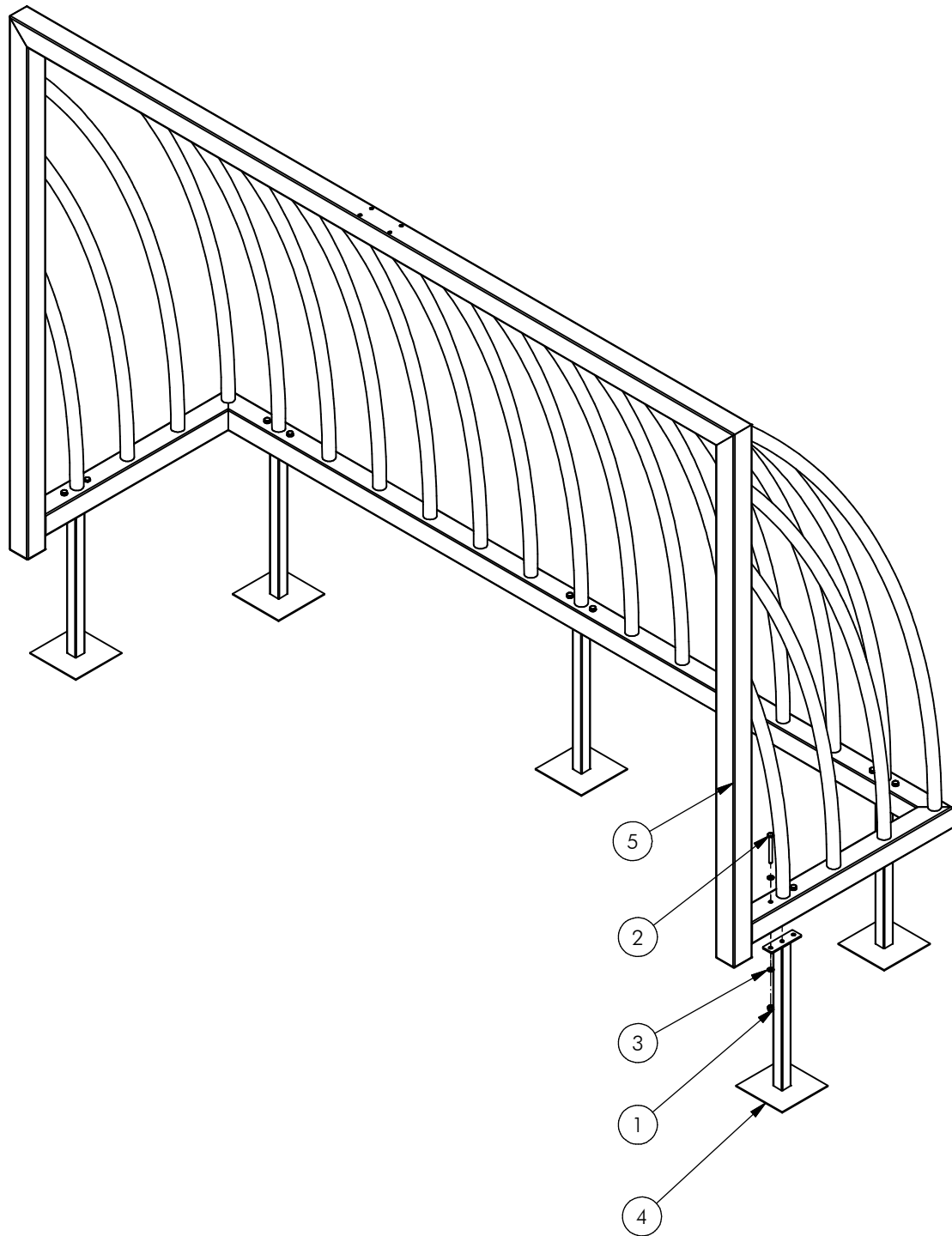
1. If used intensively, all points require extra attention.
2. Extreme weather conditions and locations may require a higher inspection frequency. Discuss this with the supplier.
3. Vandalism-sensitive locations require stricter inspections, possibly daily.
4. Check the terrain regularly for items that do not belong there, are unsafe or may be used wrongly. Examples are poisonous plants, glass shards, etc. Frequency depends on strain.
5. Remember that bad maintenance leads to unsafe conditions and notably faster impoverishment of the playground area.
6. Replacement parts can be ordered at the manufacturer with the part numbers on the module drawing. Drawings can be found in de user guide.
7. The impact area shall be provided with impact attenuating surface according to the specified falling height.
8. This list is conform the CEN-standard "playground equipment and surfacing NEN-EN 1176-7".



Dit toestel is geen speeltoestel conform het warenwetbesluit attractie- en speeltoestellen, en is dus niet als zodanig gecertificeerd.

This equipment is not playground equipment, so it has not been certified as such.





Nr	#	Type	Progr.	Volgnr	Bew.	Rev.	Benaming	Opmerking
1	10	BSV	011	010	020		Borgdopmoer	M10 - VZ 8.8
2	10	BSV	021	010	100		Zeskantbout ISO 4014	M10 x 100 - VZ 8.8
3	20	BSV	030	010	002		Sluitring	M10 - VZ 8.8
4	5	SME	SOL	032	372	D	Grondanker	Goal
5	1	SME	SPT	090	372		MAXI GOAL	SPT



Benaming
Title Maxigoal met grondankers

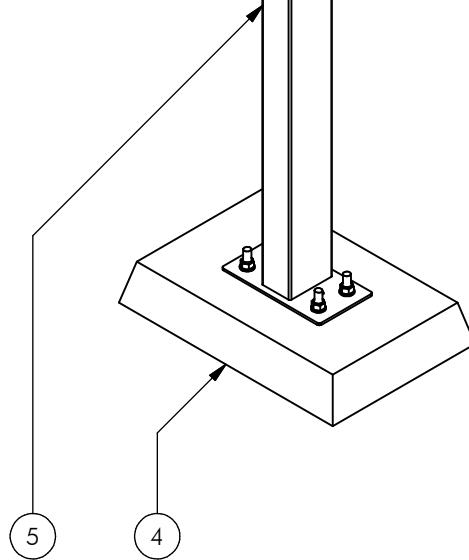
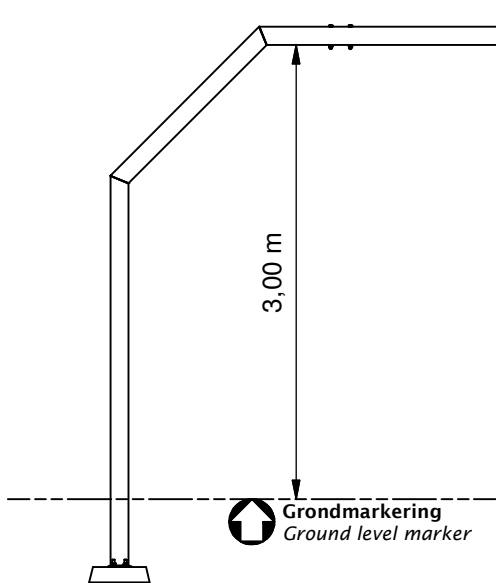
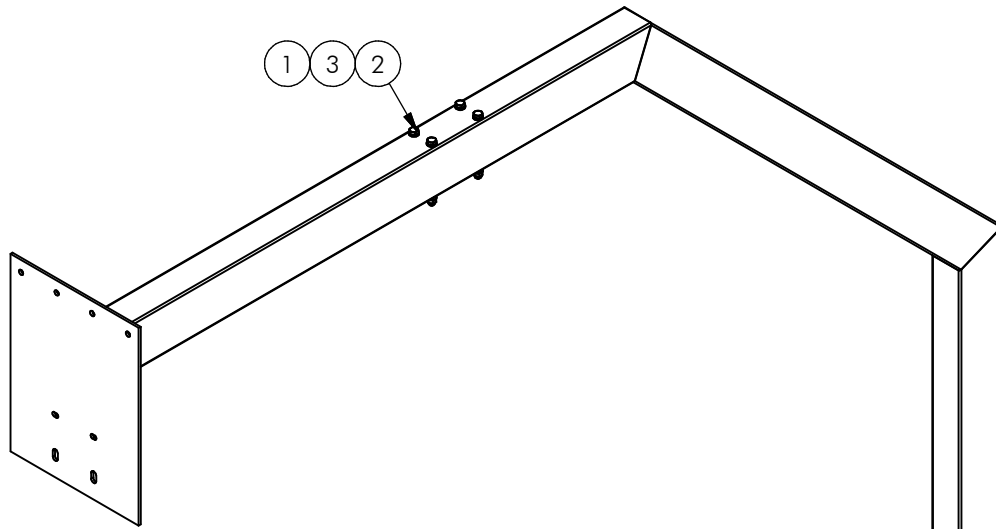
Opmerking
Comment SPT

Datum
Date 7-7-2014

Tekening
Drawing

MOD SPT 006 033

Samenstelling module *Assembly module*



Nr	#	Type	Progr.	Volgnr	Bew.	Rev.	Benaming	Opmerking
1	4	BSV	011	010	020		Borgdopmoer	M10 - VZ 8.8
2	4	BSV	021	010	150		Zeskantbout ISO 4014	M10 x 150 - VZ 8.8
3	12	BSV	030	010	002		SLUITRING	M10 VZ
4	1	SMD	OBT	010	001		Poer met moertjes	600 x 400 x 100
5	1	SME	SPT	087	372		Basket Paal	Samenstelling

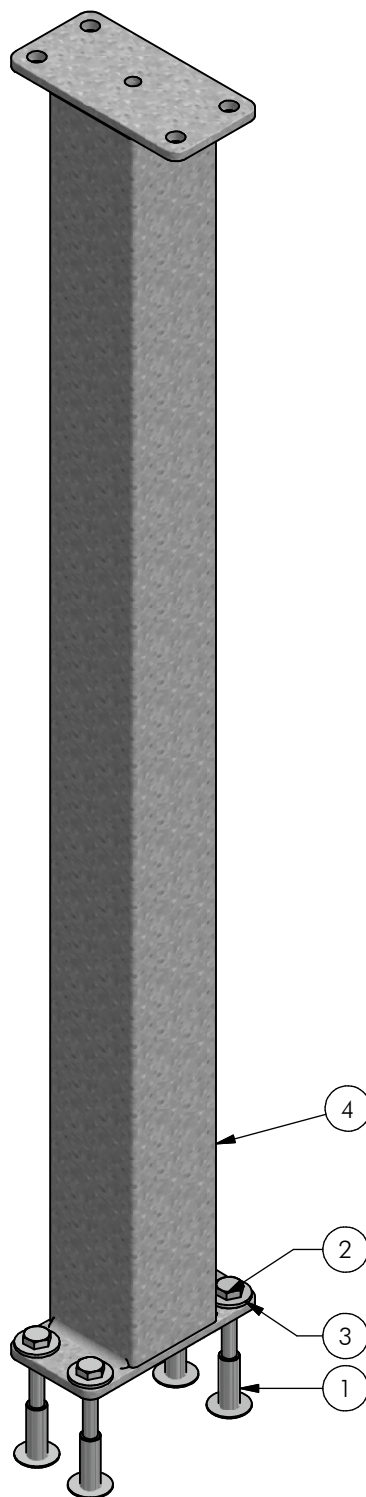


Benaming / Title: Basket Paal
 Opmerking / Comment: Sport
 Datum / Date: 15-11-2016

Tekening / Drawing

MOD SPT 006 105

Samenstelling module / Assembly module



Nr	#	Type	Progr.	Volgnr	Bew.	Rev.	Benaming	Opmerking
1	4	BSR	BUS	M10	040		Draadbus	M10 x 40 - RVS A2-70
2	4	BSR	021	010	080		Zeskantbout	M10 x 80 - RVS A2-70
3	4	BSR	035	010	030		CARROSSERIERING	M10 x 30 x 2,5
4	1	SME	SPT	057	372	B	Paal tussen Maxi Goal	en Basket L 1000



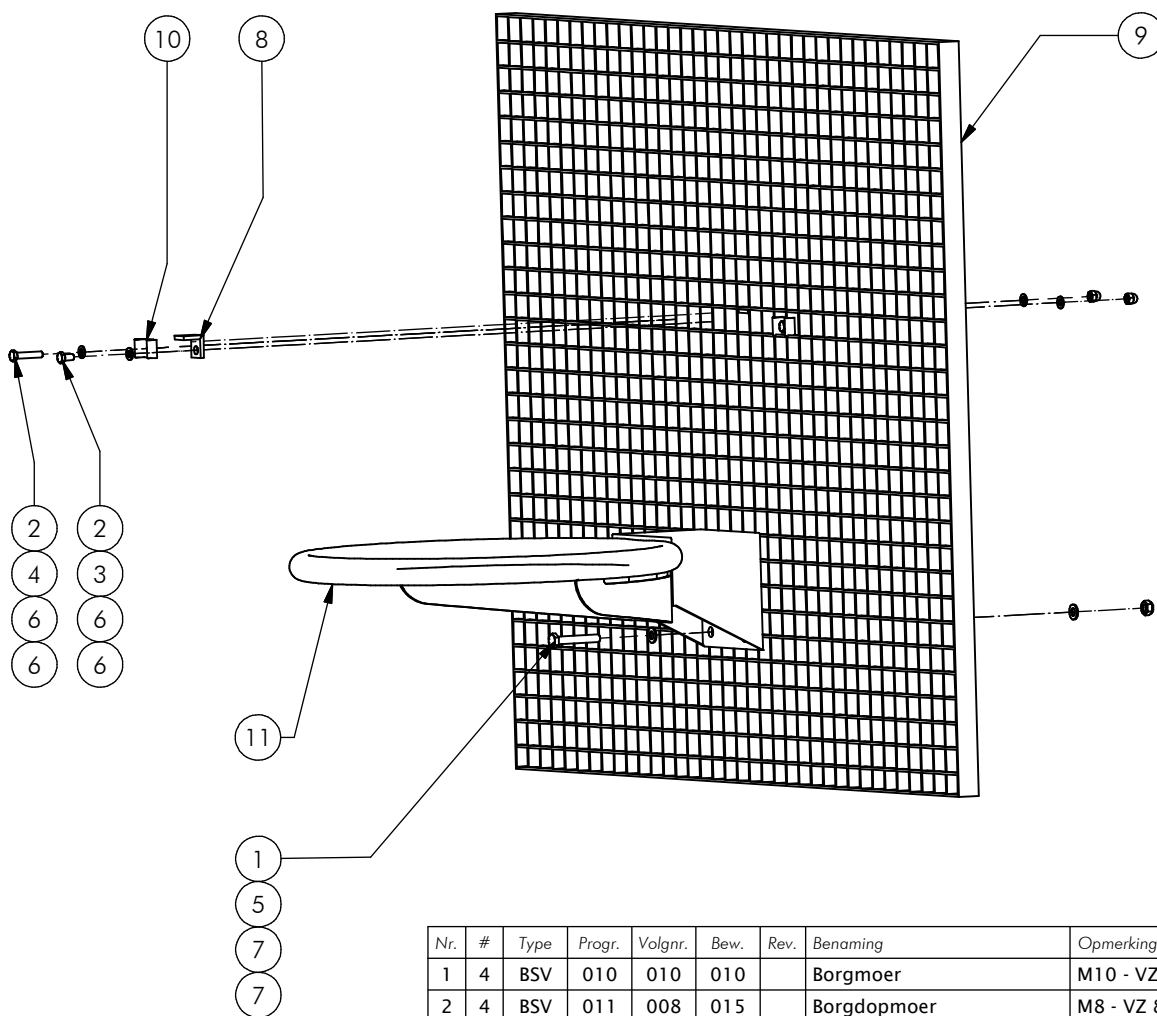
Benaming
Title Paal op Maxi Goal

Opmerking
Comment tot Basket Paal

Datum
Date 25-9-2014

Tekening
Drawing

MOD SPT 037 311 B
 Samenstelling module *Assembly module*



Nr.	#	Type	Progr.	Volgnr.	Bew.	Rev.	Benaming	Opmerking
1	4	BSV	010	010	010		Borgmoer	M10 - VZ 8.8
2	4	BSV	011	008	015		Borgdopmoer	M8 - VZ 8.8
3	2	BSV	021	008	015		Zeskantbout ISO 4014	M8 x15 - VZ 8.8
4	2	BSV	021	008	040		Zeskantbout ISO 4014	M8 x40 - VZ 8.8
5	4	BSV	021	010	065		Zeskantbout ISO 4014	M10 x 65 - VZ 8.8
6	8	BSV	030	008	016		Sluitring	M8 - VZ 8.8
7	8	BSV	030	010	002		SLUITRING	M10 VZ
8	2	OME	SPT	010	ALU	A	hoek d=5	Afm 30x30x25
9	1	OME	SPT	015	372		Roosterbord	Basketbal
10	2	OME	SPT	114	001		Zadel	SPT
11	1	SME	SPT	105	204		Ring	Basket



Benaming
Title Rooster met ALU Ring

Opmerking
Comment

Datum
Date 21-9-2017

Tekening
Drawing

MOD SPT 042 001 B
 Samenstelling module Assembly module