



Pioneer Play

SOLE030.120

Swing Galileo II



SOLE030.120

Swing Galileo II



1+



4 - 12



3.9 x 2.2 x 2.9 m



7.2 x 3.1 m



8.2 x 4.9 m



1.5 m

Playfunctions

Swinging

Material

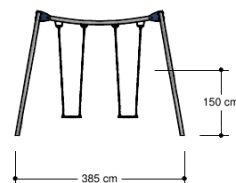
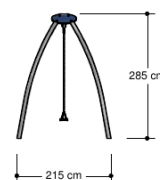
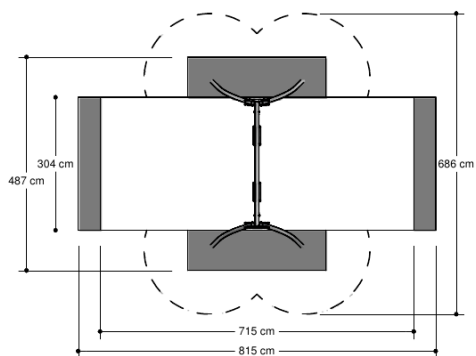
The uprights are made of polished (K320) stainless steel 304 quality. The tube thickness is 88.9 mm with a wall thickness of 3.2 mm. Turning components of the swing are made from stainless steel with maintenance-free bearings. The swing seats are hanging on a stainless steel chain kostschalmige.

Anchorage

The posts are 70 cm. in the ground.
Concrete is not required.

Comments

If the soil does not contribute to the stability it may be necessary to add concrete.



Opvangzone

Impact area

 WAS, Dutch law

 EN1176

Obstakelvrije zone

Obstacle free zone

 WAS, Dutch law

 EN1176

