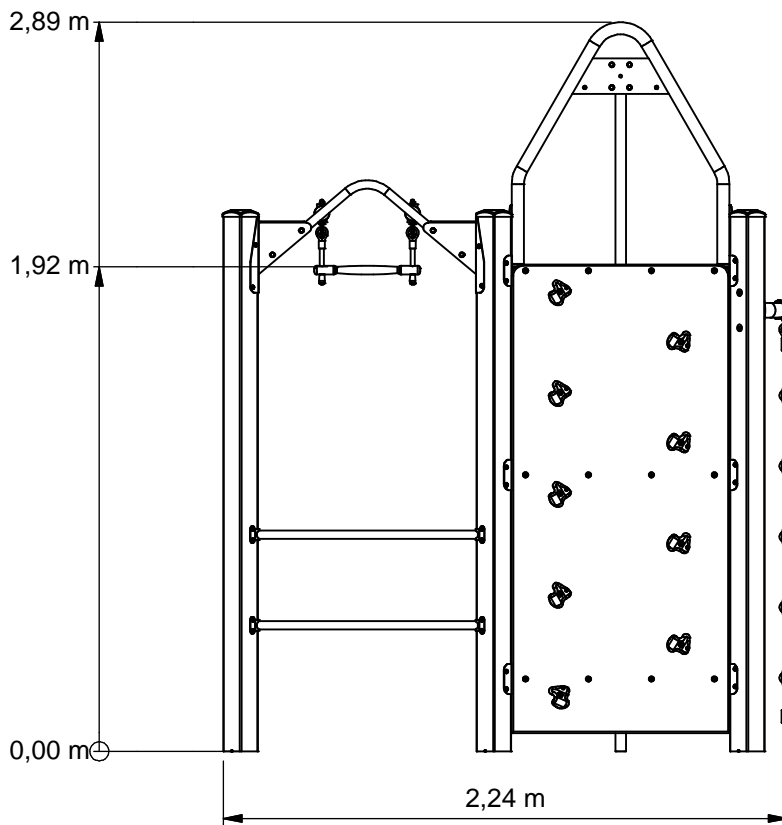
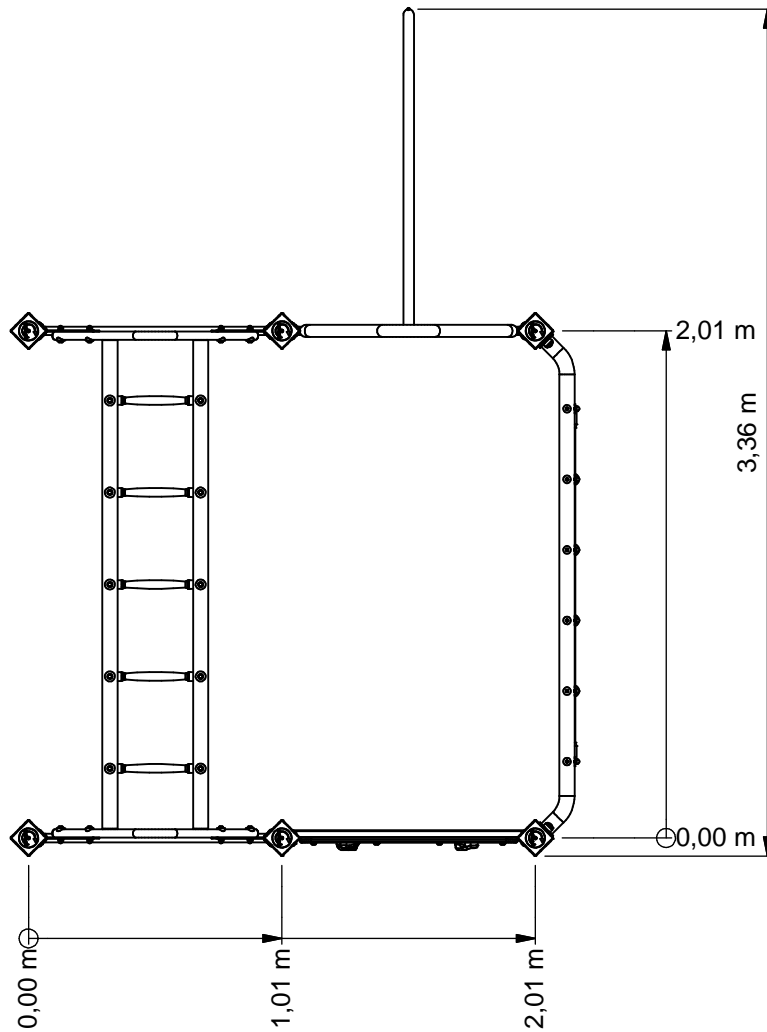




Climbing cube



VRBE080.823



Benaming
Title Vrijbuiters

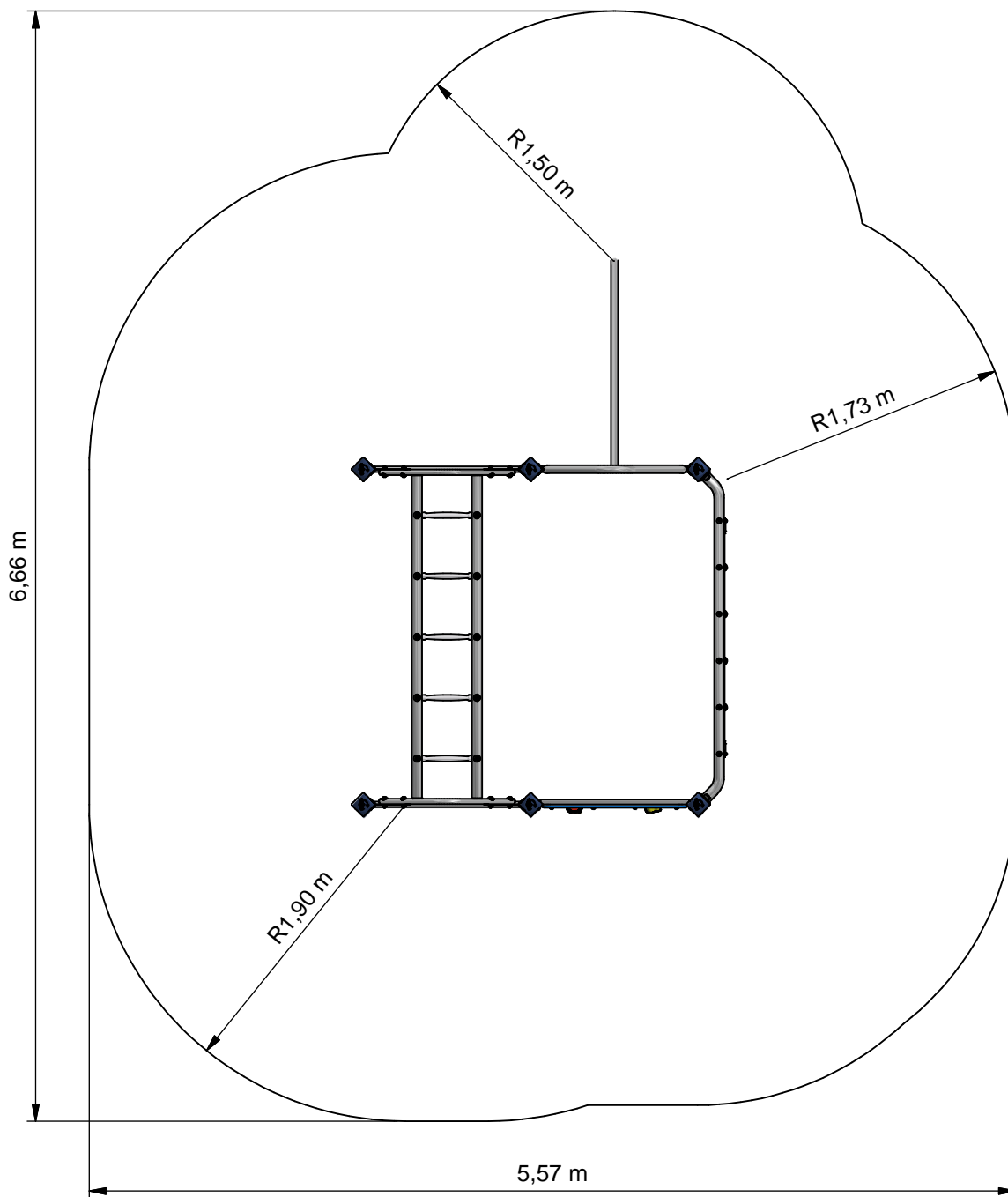
Opmerking
Comment Hardhout

Datum
Date 4-2-2010

Tekening
Drawing

TOE VRB 080 823

Afmetingen Dimensions



- Opvangzone
Impact area
- Obstakelvrije zone
Obstacle free zone



Benaming
Title: Vrijbuiters

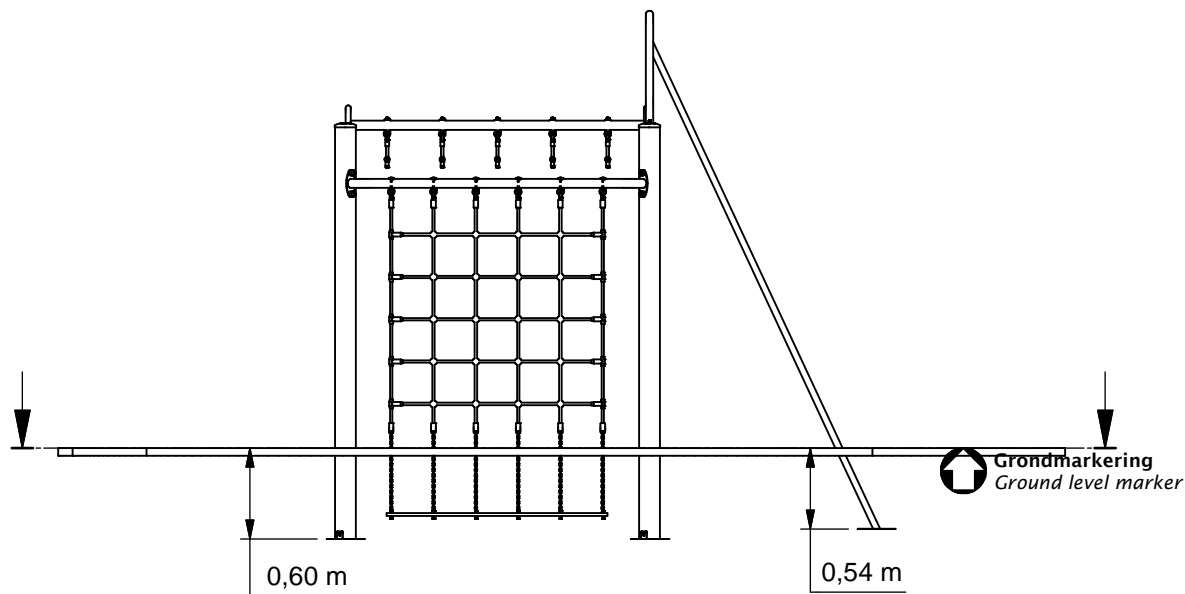
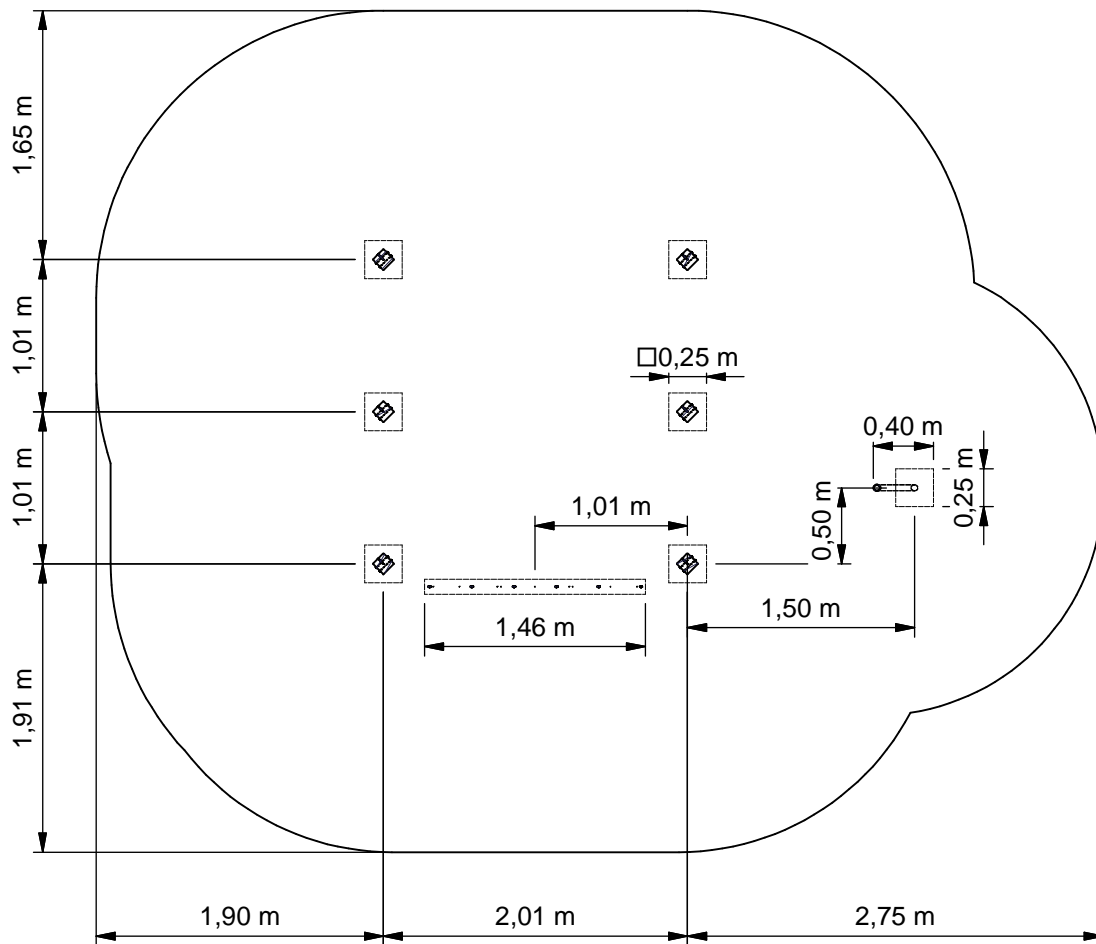
Opmerking
Comment: Hardhout

Datum
Date: 4-2-2010

Tekening
Drawing

TOE VRB 080 823

Obstakelvrije zone *Obstacle free zone*



Benaming
Title Vrijbuiters

Opmerking
Comment Hardhout

Datum
Date 4-2-2010

Tekening
Drawing

TOE VRB 080 823

Bodemplan Groundplan

Geleverde modules:

Zie tabel

Supplied modules:

See table

Montageinstructie:

- De hoofdmaten geven de maten van de staanders en vloeren aan
- De detailtekeningen geven specifiek de maten van de verbindingen aan
- De modules met buizen zijn op de tekeningen bemaat op bovenkant kopplaat
- Overige modules zijn bemaat op de bovenkant (klimwanden, paalkoppen, etc.)

Assembly instruction:

- The main dimensions indicate the dimensions of the posts and floors
- The detailed dimensions show the specific dimensions of the connections
- The modules which contain tubes are dimensioned at the top of the flanges
- Other modules are dimensioned at the top (climbing walls, caps for the posts, etc.)

Montagevolgorde:

- 1 - Graaf de gaten volgens het bodemplan
- 2 - Plaats 3(6x)
- 3 - Plaats 4(6x) en verbind deze aan 3
- 4 - Plaats 2 en verbind deze aan 3
- 5 - Plaats 6 en verbind deze aan 3
- 6 - Plaats 5 en verbind deze aan 3
- 7 - Plaats 1 en verbind deze aan 3
- 8 - Controleer of het toestel voldoet aan de afmetingen zoals op blad 'afmetingen'
- 9 - Dicht de gaten en verdicht het zand

Installation sequence:

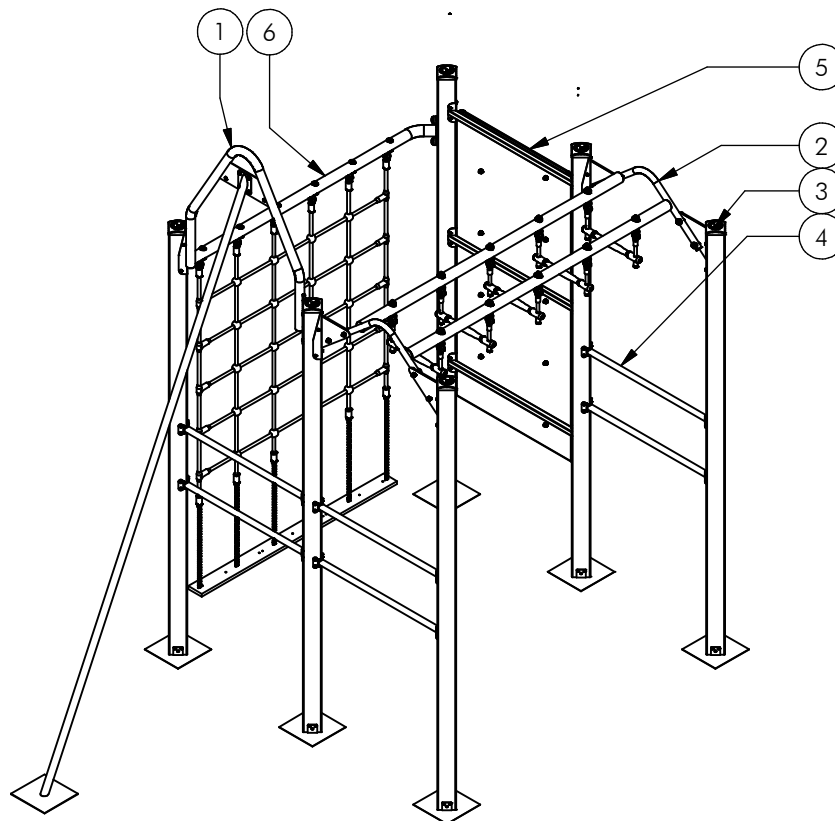
- 1 - Dig the holes according to the ground plan
- 2 - Place 3(6x)
- 3 - Place 4(6x) and attach it to 3
- 4 - Place 2 and attach it to 3
- 5 - Place 6 and attach it to 3
- 6 - Place 5 and attach it to 3
- 7 - Place 1 and attach it to 3
- 8 - Check that the unit conforms to the dimensions on sheet 'dimensions'
- 9 - Close the holes and compacted the sand

Controles:

- 1 - Correcte opbouw en alle bevestigingsmiddelen
- 2 - Controleer de afmetingen van de valbodem t.o.v. het toestel

Checks:

- 1 - Correct assembly and all the fasteners
- 2 - Check the dimensions of the safety area with regard to the play equipment



Nr	#	Type	Progr.	Volgnr	Bew.	Rev.	Benaming	Opmerking
1	1	MOD	VRB	HHT	022		GLIJPAAAL	VLOER 93 CM
2	1	MOD	VRB	HHT	029		ENTERREK	KUNSTSTOF SPORTEN
3	6	MOD	VRB	HHT	052		STAANDER	213 CM
4	6	MOD	VRB	HHT	075		SYSTEEMBUIS	ENKEL
5	1	MOD	VRB	HHT	153	A	Klimwand 161 cm (S8)	Met buis
6	1	MOD	VRB	HHT	175	A	Verticaal net	1.85 meter



Benaming
Title: Vrijbuiters

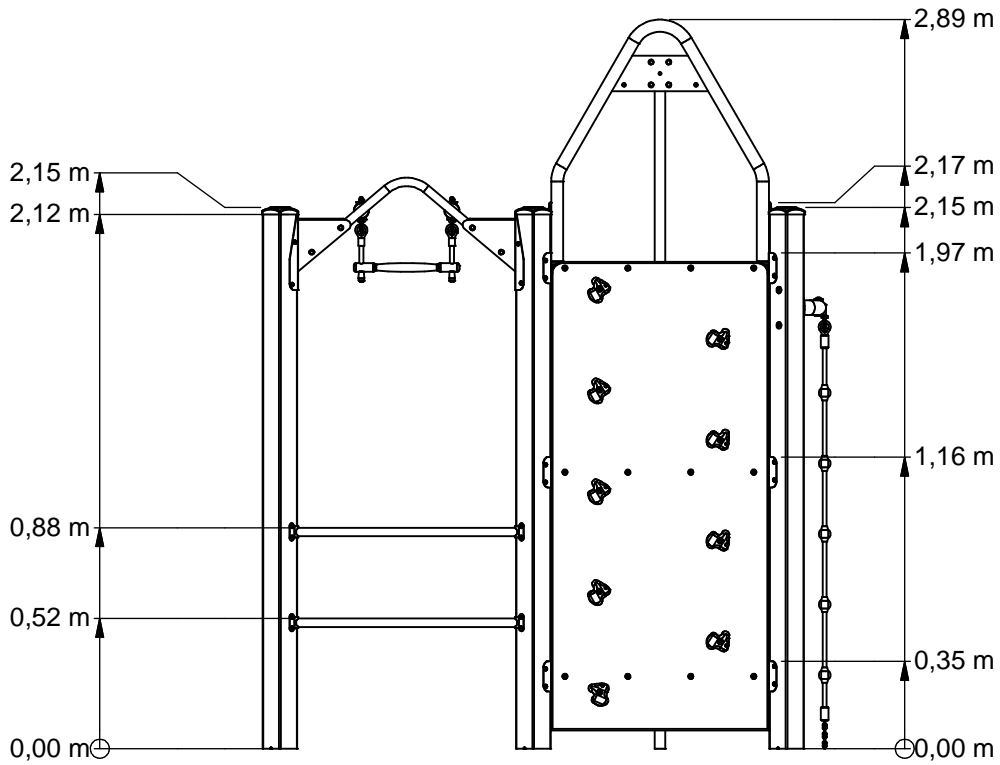
Opmerking
Comment: Hardhout

Datum
Date: 4-2-2010

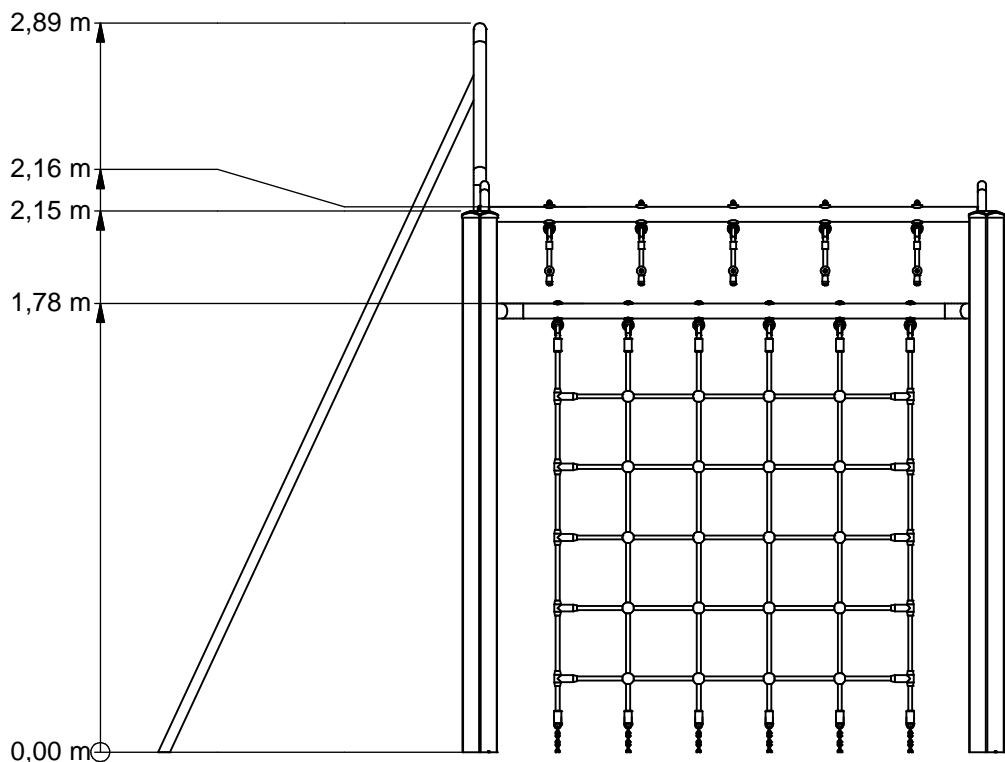
Tekening
Drawing

TOE VRB 080 823

Modules Modules



Voor
(Front)



Links
(Left)

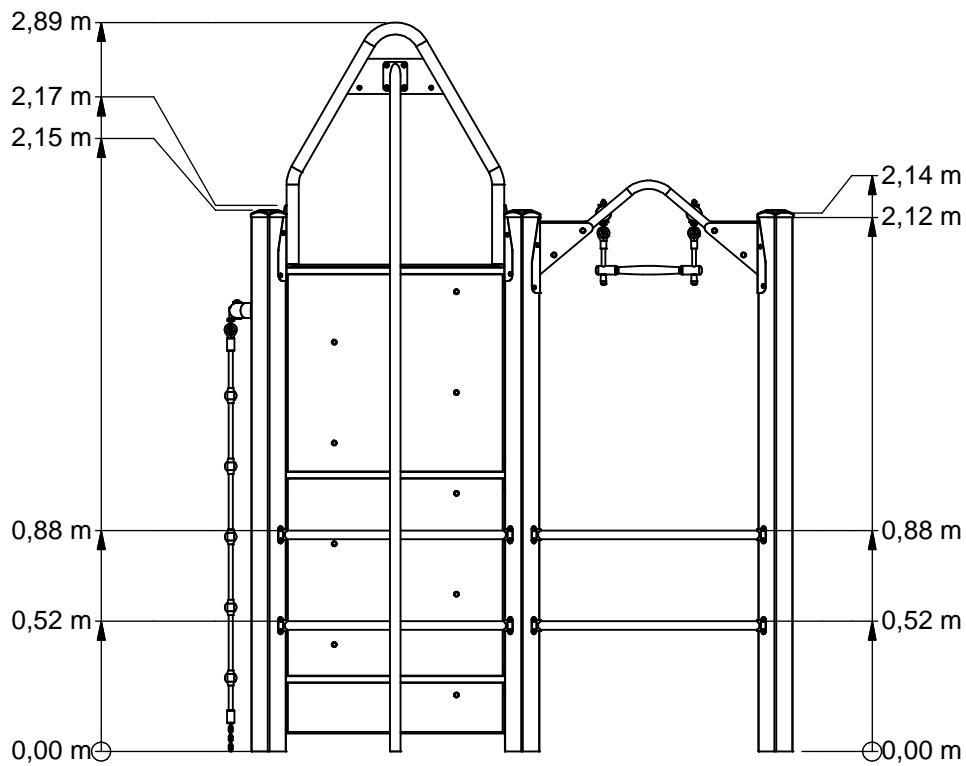


Benaming Title	Vrijbuiters
Opmerking Comment	Hardhout
Datum Date	4-2-2010

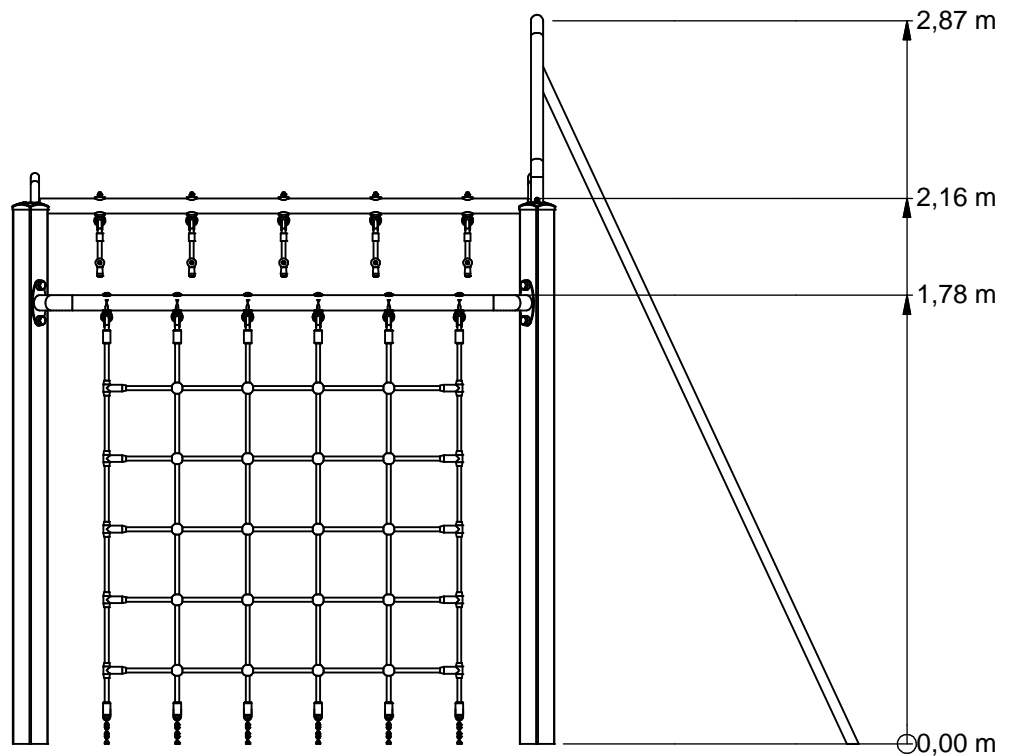
Tekening
Drawing

TOE VRB 080 823

Afmetingen Dimensions



Back
(Achter)



Rechts
(Right)



Benaming Title	Vrijbuiters
Opmerking Comment	Hardhout
Datum Date	4-2-2010

Tekening
Drawing

TOE VRB 080 823

Afmetingen Dimensions

VRBE080.823

Climbing cube

LOGBOOK

(Onderstaand logboek kan gebruikt worden om te voldoen aan de eisen, gesteld in artikel 14 van het Warenwetbesluit Attractie- en Speeltoestellen)

Type indication	Nature Play
Product code	VRBE080.823
Name of equipment	Vrijbuitter Klimkubus
Maximum height of fall	2,5 m
Year of construction	2017
Certificate	09200116201
inspection authority	Liftinstituut B.V. Buikslotermeerplein 381, A'dam - 1025 XE Amsterdam
Name manufacturer	BOERplay Hyacintstraat 2 - 4255 HX Nieuwendijk Phone: +31 (0)183 40 23 66 Fax: +31 (0)183 40 35 64
name installer	_____ _____
Description of equipment	Climbing cube
Location of equipment	_____
Data about the owner of the play equipment	
Name:	_____
Address:	_____
Postcode and town:	_____
Contact person:	_____
Telephone number:	_____
Data about the administrator of the play equipment	
Name:	_____
Address:	_____
Postcode and town:	_____
Contact person:	_____
Telephone number:	_____

LOGBOOK

Inspection and maintenance intervals



Nr.	Inspection	Maintenance	months between inspections
1	Verify equipment's stability, junctions and missing parts. Inspect bolts, screws and nuts for absence, jams, corrosion and wear.	Add missing parts, secure joints, apply missing fixing agent and replace corroded parts.	1
2	Check suspension for wear.	Replace worn parts and/or remove non-functioning parts.	1
3	Inspect rotating parts such as hinges, rolling-element bearings, etc. for wear and acceptability.	Replace worn parts and/or remove non-functioning parts.	1
4	Check wood for splinters, unacceptable damage and signs of rot. Especially at ground level.	Repair damage. Replace affected wood. Smoothen splintered wood and sharp edges.	1
5	Inspect foundation for stability, tearing and coverage.	Restore foundation and covering material.	3
6	Examine rubber and synthetic parts for wear, damage and break.	Replace original parts.	3
7	Inspect metal for corrosion and damage in the coating.	Restore any damaged coating (after removing rust and applying primer).	6
8	Check ropes, cables, chains and nets for wear and damage. Steel cables and nets which are tensioned must be checked for tension.	Replace parts where necessary. Steel cables and nets must be tensioned.	3
9	Inspect equipment for unsafe changes and additions.	Remove unsafe additions and correct unsafe changes.	1
10	Inspect safety surfaces.	Restore and repair where necessary.	1

Remarks

1. If used intensively, all points require extra attention.
2. Extreme weather conditions and locations may require a higher inspection frequency. Discuss this with the supplier.
3. Vandalism-sensitive locations require stricter inspections, possibly daily.
4. Check the terrain regularly for items that do not belong there, are unsafe or may be used wrongly. Examples are poisonous plants, glass shards, etc. Frequency depends on strain.
5. Remember that bad maintenance leads to unsafe conditions and notably faster impoverishment of the playground area.
6. Replacement parts can be ordered at the manufacturer with the part numbers on the module drawing. Drawings can be found in de user guide.
7. The impact area shall be provided with impact attenuating surface according to the specified falling height.
8. This list is conform the CEN-standard "playground equipment and surfacing NEN-EN 1176-7".

TYPE-EXAMINATION CERTIFICATE

Acting under the "Warenwetbesluit Attractie- en Speeltoestellen" issued by Liftinstituut B.V.
commissioned by departmental order, no. VGP/PSL 2857566 from 27 Juni 2008.

Certificate nr. : NL 09-2001-162-01 Revision nr.: 200116201

Description of the product : Playground equipment, made up by modules

Trademark, type : Speelwijzer, MOD VRB: 001 t/m 019, 021 t/m 027, 029, 031,032, 034 t/m 062, 065, 066, 071 t/m 074, 076, 077, 079 t/m 082, 190 t/m 193

Name and address of the manufacturer : Speelwijzer
Nijverheidsstraat 8
5317 NL Nederhemert Noord

Name and address of the certificate holder : Speelwijzer
Nijverheidsstraat 8
5317 NL Nederhemert Noord

Certificate issued on the basis of the following requirements : Warenwetbesluit Attractie- en Speeltoestellen

Test laboratory : None

Date and number of the laboratory report : None

Date of type-examination : September 3th 2001, February 9th 2009

Annexes with this certificate : Report belonging to the type-examination certificate nr.: NL 09-2001-162-01

Additional remarks : This certificate supersedes type certificate dated June 21th 2002, with certificate number NL 01-2001-162-01

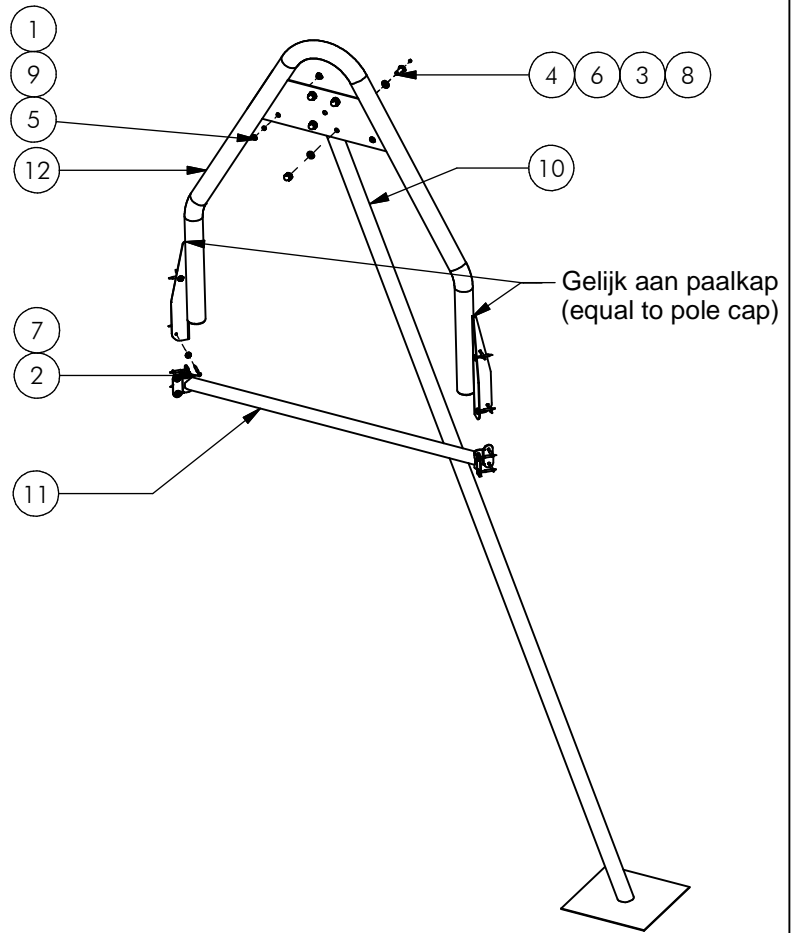
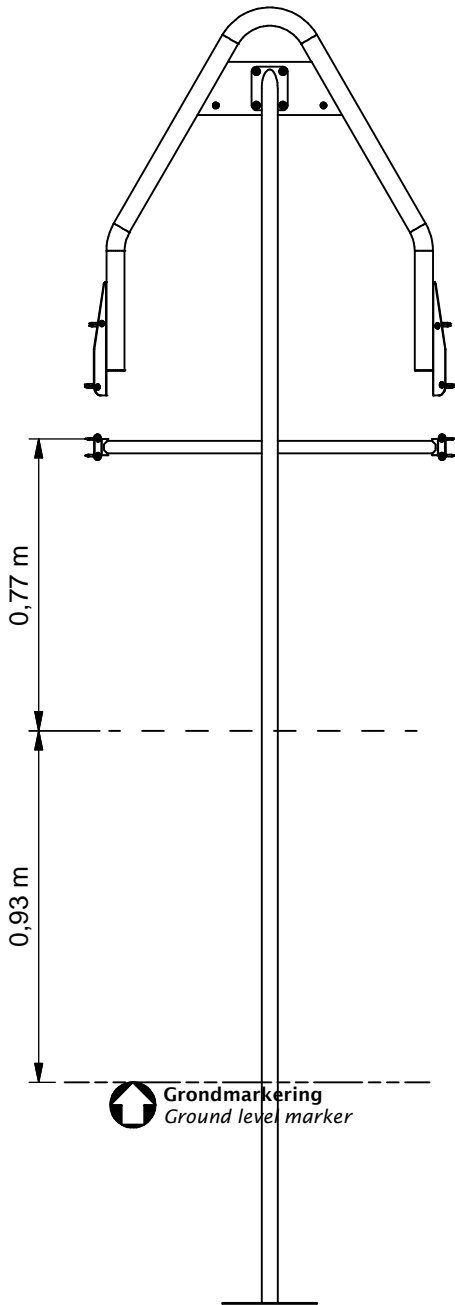
Conclusion : The playground equipment meets the requirements of the above specified European standard(s) and "Warenwetbesluit Attractie- en Speeltoestellen" taking into account any additional remarks mentioned above.



Issued in Amsterdam

Date of issue : April 7th, 2009

Ir. V.M.A. Barendregt
Senior Officer Certification &
Technology
Liftinstituut B.V.



Nr	#	Type	Progr.	Volgnr	Bew.	Rev.	Benaming	Opmerking
1	2	BSA	014	004	054		POPNAGEL	GROTE KOP
2	16	BSR	002	005	050		Schroef Assy	5 x 50 - RVS A2-70
3	4	BSR	011	010	020		DOPMOER	BORG RVS M10
4	4	BSR	023	010	025		BOLKOP SCHROEF	ISO 7380 - M10 x 25
5	2	BSR	030	005	001		Sluitring	M5 - RVS A2-70
6	8	BSR	030	010	002		SLUITRING	M10
7	16	BSR	036	005	015		Facet ring	M5 - RVS A2-70
8	4	KST	DOP	006	030		OPVULDOPJE	6 MM ROOD
9	2	KST	RNG	005	003		RING	KUNSTSTOF
10	1	SME	VRB	005	320	E	GLIIPAAL	VLOER 93 CM
11	1	SME	VRB	505	320	D	SYSTEEMBUIS	VRIJBUITER RVS
12	1	SME	VRB	512	320	E	KLIM/GLIJ BEUGEL	RVS



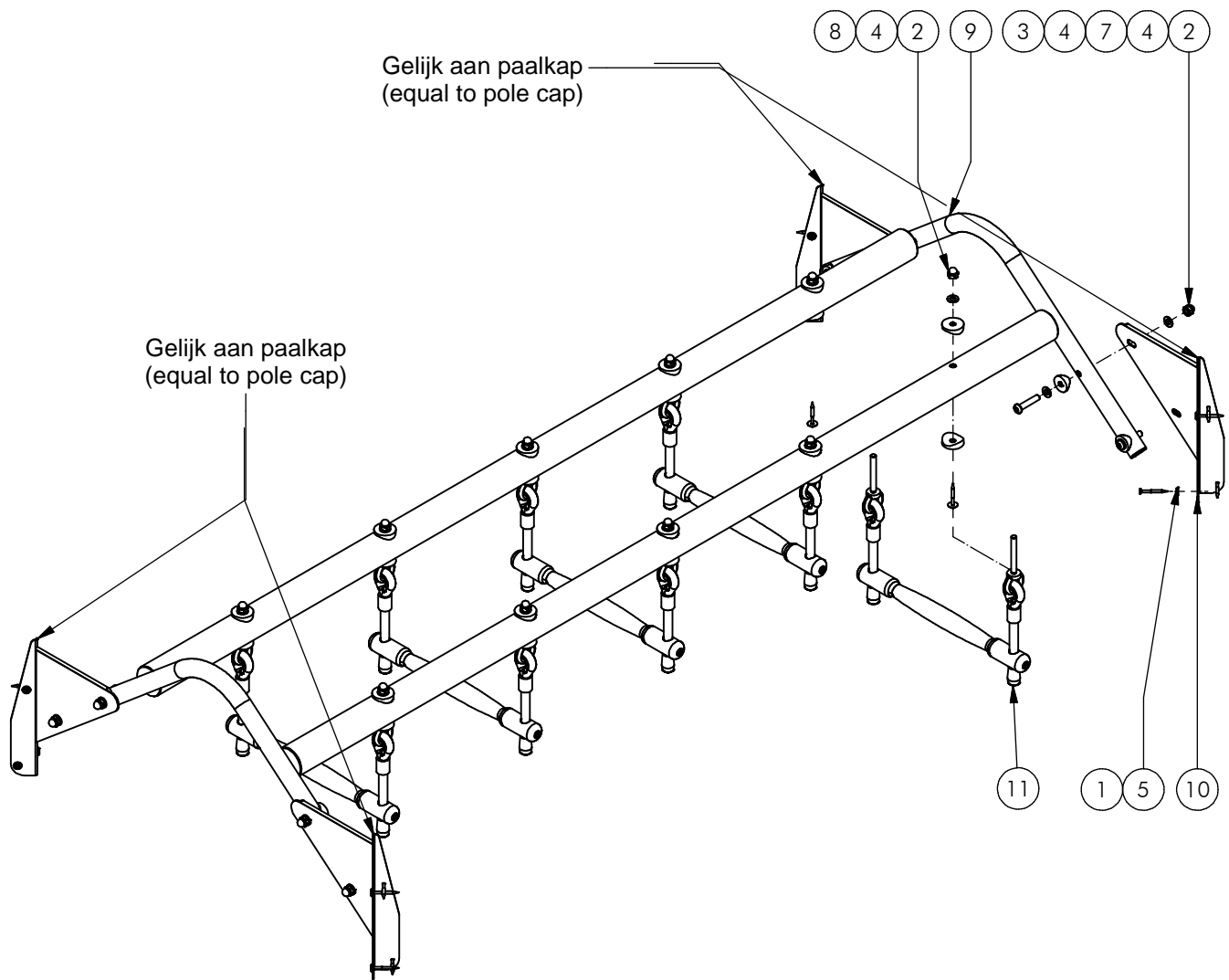
Benaming
Title: GLIIPAAL

Opmerking
Comment: VLOER 93 CM

Datum
Date: 29-11-2016

Tekening
Drawing

MOD VRB HHT 022 A
 Samenstelling module Assembly module



POS	N	TYPE	PROJ.	NR.	BEH.	R	BENAMING	OPMERKING
1	16	BSR	002	005	050		Schroef Assy	5 x 50 - RVS A2-70
2	18	BSR	011	010	020		DOPMOER	BORG RVS M10
3	8	BSR	023	010	050		Bolkopbout ISO 7380	M10 x 50 - RVS A2-70
4	26	BSR	030	010	002		SLUITRING	M10
5	16	BSR	036	005	015		Facet ring	M5 - RVS A2-70
6	8	KST	DOP	006	030		OPVULDOPJE	6 MM ROOD
7	8	KST	T33	010	000		ZADELRING	BUIS 33.7
8	20	KST	T60	010	000		ZADELRING	BUIS 60
9	1	SME	VRB	508	320	G	ENTERREK	TUSSENSTUK
10	4	SME	VRB	559	320		BEUGEL	ENTERREK
11	5	SNT	VRB	101	POM	B	Enterreksport	Kunststof



Benaming
Title ENTERREK

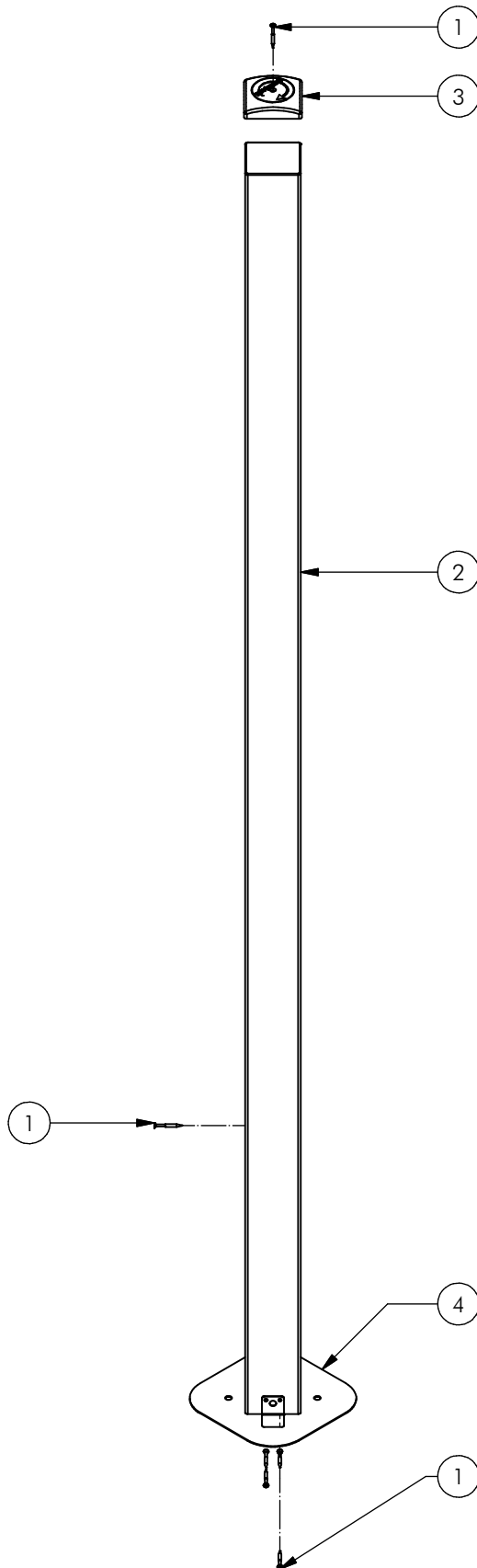
Opmerking
Comment KUNSTSTOF SPORTEN

Datum
Date 25-9-2006

Tekening
Drawing

MOD VRB HHT 029

Samenstelling module Assembly module



Nr	#	Type	Progr.	Volgnr	Bew.	Rev.	Benaming	Opmerking
1	6	BSR	002	005	050		SCHROEF	5 x 50
2	1	OHO	HHT	100	012		Staander HHT	100x100, lengte=2730
3	1	OME	KAP	100	ZMK		PAALKAP 100	Zamak, RAL 5003
4	1	OME	VRB	903	VZP	C	Voetplaat	100 x 100



Benaming
Title STAANDER

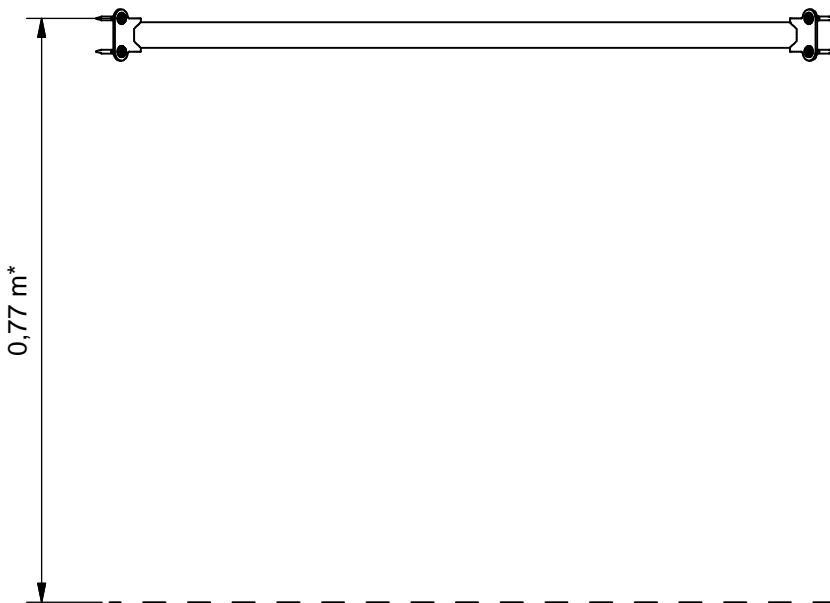
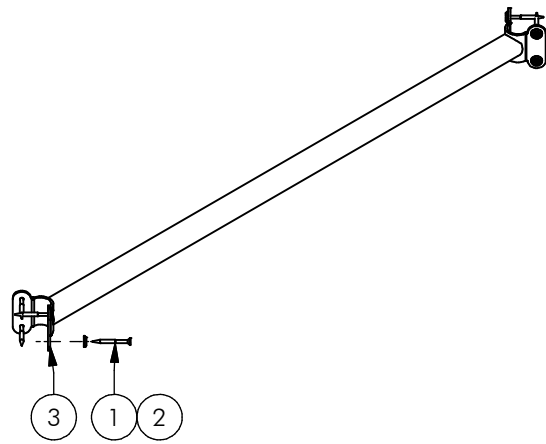
Opmerking
Comment 213 CM

Datum
Date 22-11-2006

Tekening
Drawing

MOD VRB HHT 052

Samenstelling module *Assembly module*



Bovenkant bordes
(Top platform)

*Gebruikt als railing
*Used as railing

Nr	#	Type	Progr.	Volgnr	Bew.	Rev.	Benaming	Opmerking
1	8	BSR	002	005	050		Schroef Assy	5 x 50 - RVS A2-70
2	8	BSR	036	005	015		Facet ring	M5 - RVS A2-70
3	1	SME	VRB	505	320	D	SYSTEEMBUIS	VRIJBUITER RVS

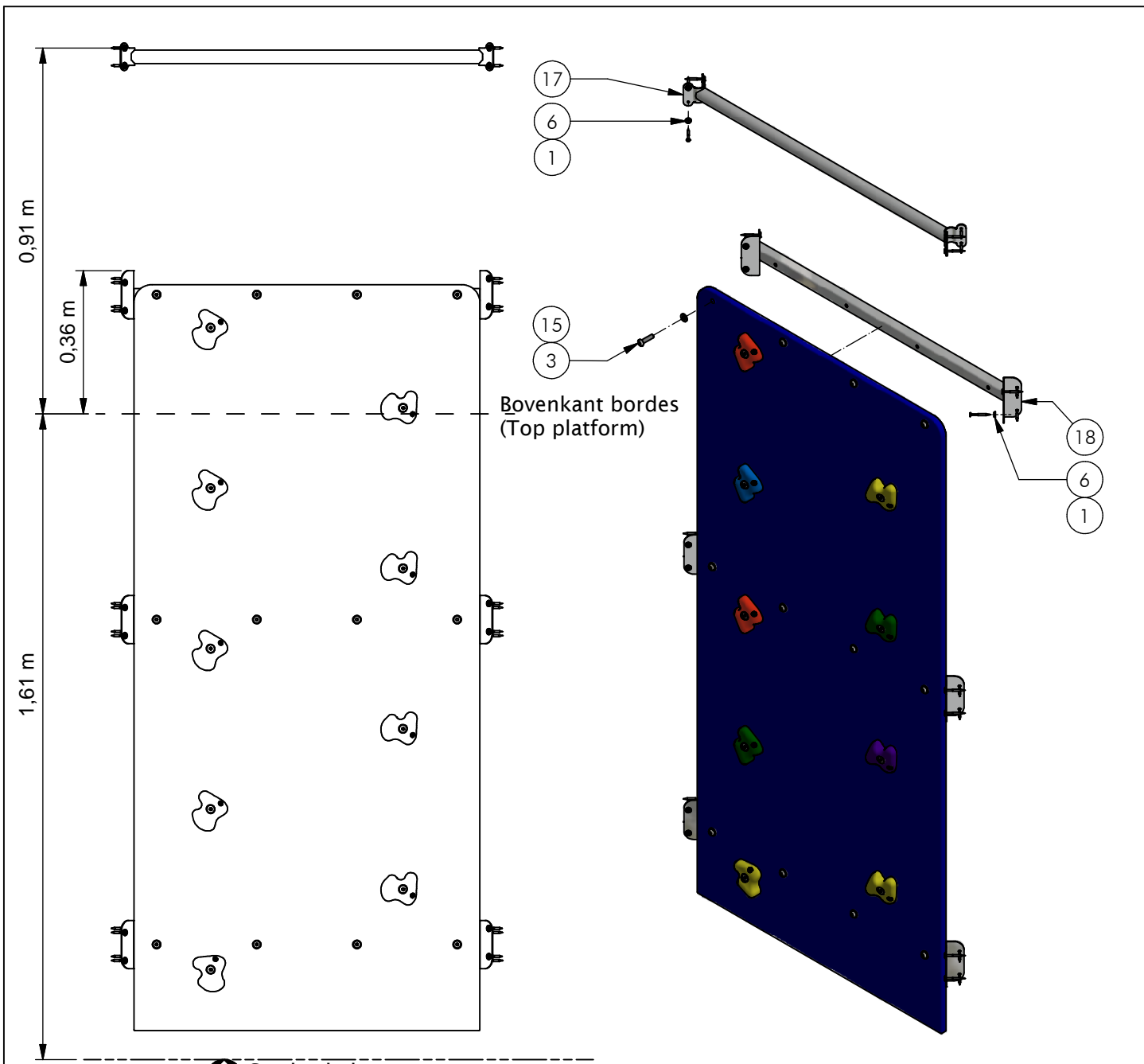


Benaming
Title | SYSTEEMBUIS
Opmerking
Comment | ENKEL
Datum
Date | 25-9-2006

Tekening
Drawing

MOD VRB HHT 075

Samenstelling module Assembly module



↑ Grondmarkering
Ground level marker

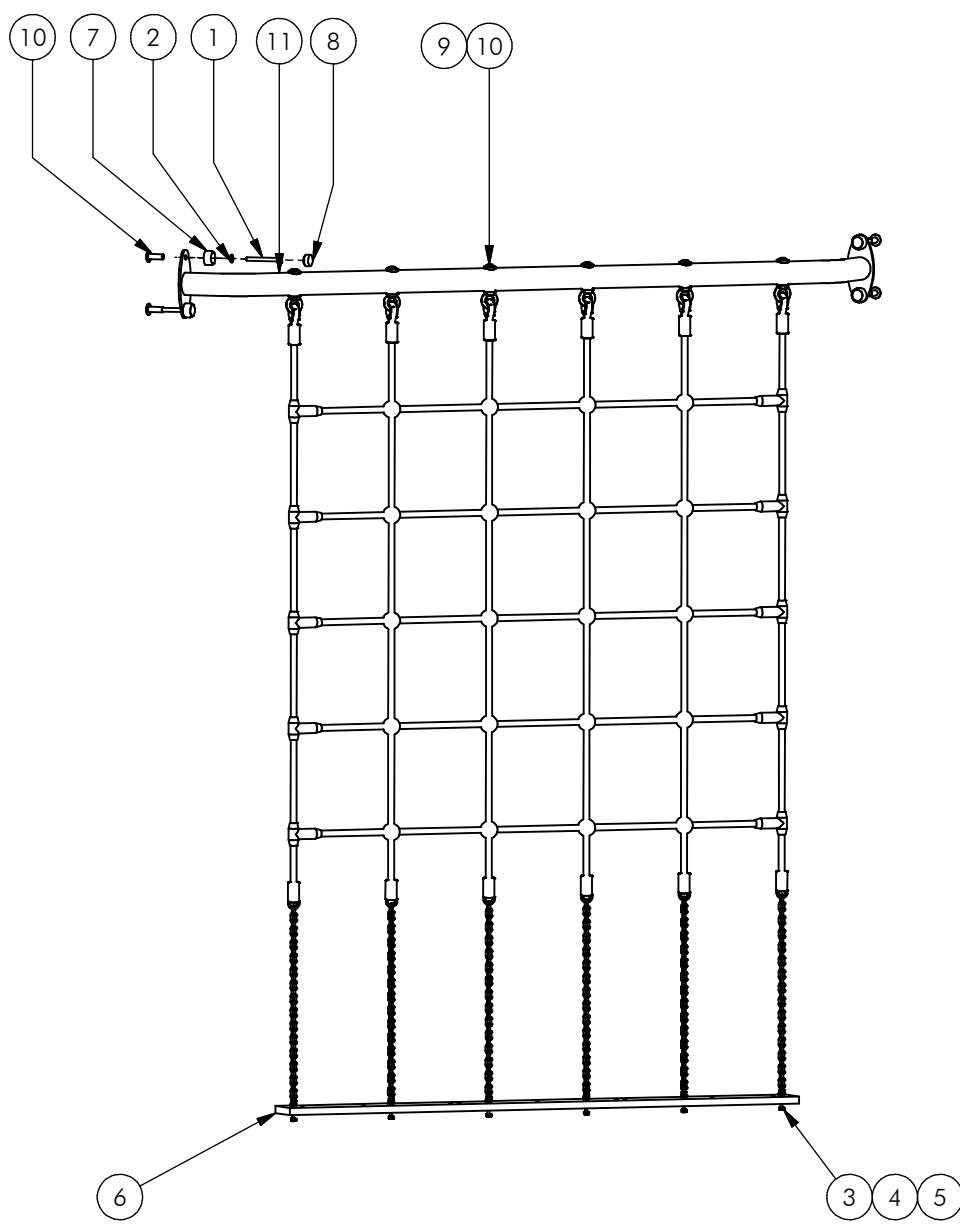
Nr	#	Type	Progr.	Volgnr	Bew.	Rev.	Benaming	Opmerking
1	32	BSR	002	005	050		Schroef Assy	5 x 50 - RVS A2-70
2	9	BSR	011	010	020		DOPMOER	BORG RVS M10
3	12	BSR	023	010	040		Bolkopbout ISO 7380	M10 x 40 - RVS A2-70
4	9	BSR	024	010	050		Verzonken bout	M10 x 50 - RVS A2-70
5	9	BSR	030	010	002		SLUITRING	M10
6	32	BSR	036	005	015		Facet ring	M5 - RVS A2-70
7	9	BSR	002	005	030		Schroef Assy	5 x 30 - RVS A2-70
9	14	KST	DOP	006	030		OPVULDOPJE	6 MM ROOD
10	1	KST	KNP	010	040		KLIMGREEP	PAARS
11	2	KST	KNP	010	070		KLIMGREEP	GROEN
12	1	KST	KNP	010	050		KLIMGREEP	BLAUW
13	3	KST	KNP	010	010		KLIMGREEP	GEEL
14	2	KST	KNP	010	030		KLIMGREEP	ROOD
15	12	KST	ROR	010	000		RING NYLON	M10 x 2.5 MM
16	1	OPE	VRB	051	050	B	KLIMWAND 1.61	VRIJBUITER
17	1	SME	VRB	505	320	D	SYSTEEMBUIS	VRIJBUITER RVS
18	3	SME	VRB	515	320	F	OPHANGKOKER	KLIMWAND
19	7	KST	DOP	006	030		OPVULDOPJE	6 MM ROOD



Benaming Title Klimwand 161 cm (S8)
Opmerking Comment Met buis
Datum Date 29-10-2014

Tekening Drawing

MOD VRB HHT 153 A
Samenstelling module Assembly module



Nr	#	Type	Progr.	Volgnr	Bew.	Rev.	Benaming	Opmerking
1	4	BSR	021	010	090		Zeskantbout	M10 x 90 - RVS A2-70
2	4	BSR	030	010	002		Sluitring	M10 - RVS A2-70
3	6	BSV	017	006	005		Zeskantmoer	M6 - VZ 8.8
4	6	BSV	021	006	050		Zeskantbout ISO 4014	M6 x 50 - VZ 8.8
5	12	BSV	030	006	002		Sluitring	M6 - VZ 8.8
6	1	KST	APL	146			Ankerplaat	1460x100x19
7	4	KST	DON	010	060		Bescherm dop M10-M12	Donut zwart
8	4	KST	DOP	010	060		Bescherm dop M10-M12	Dop zwart
9	12	KST	T60	015	030	A	Zadelring	Buis 60, 15x30
10	10	RNT	BUS	M10	040		DRAADBUS	M10 x 40
11	1	SME	VRB	603	320		NETBUIS	2M RECHT
12	1	SNT	VRB	105	BLW	B	Vertikaal klimnet	1,41 meter



Benaming | Verticaal net
 Title
 Opmerking | 1.85 meter
 Comment
 Datum | 17-6-2008
 Date

Tekening
Drawing

MOD VRB HHT 175 A
 Samenstelling module Assembly module