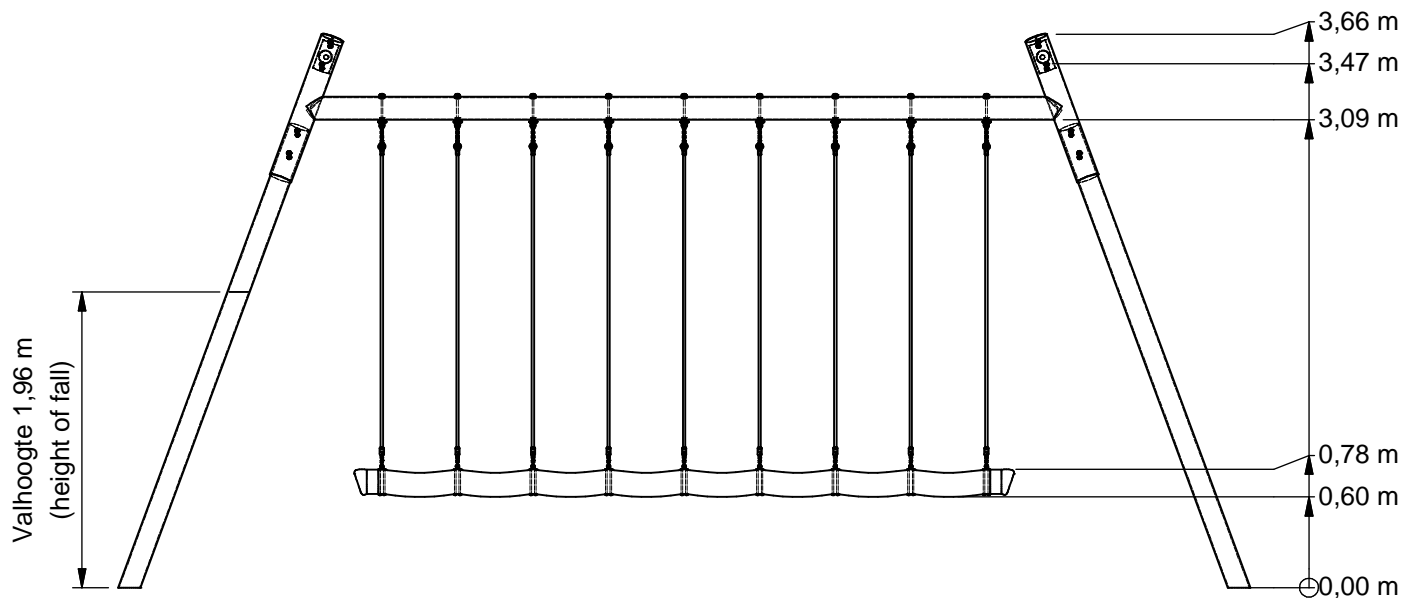
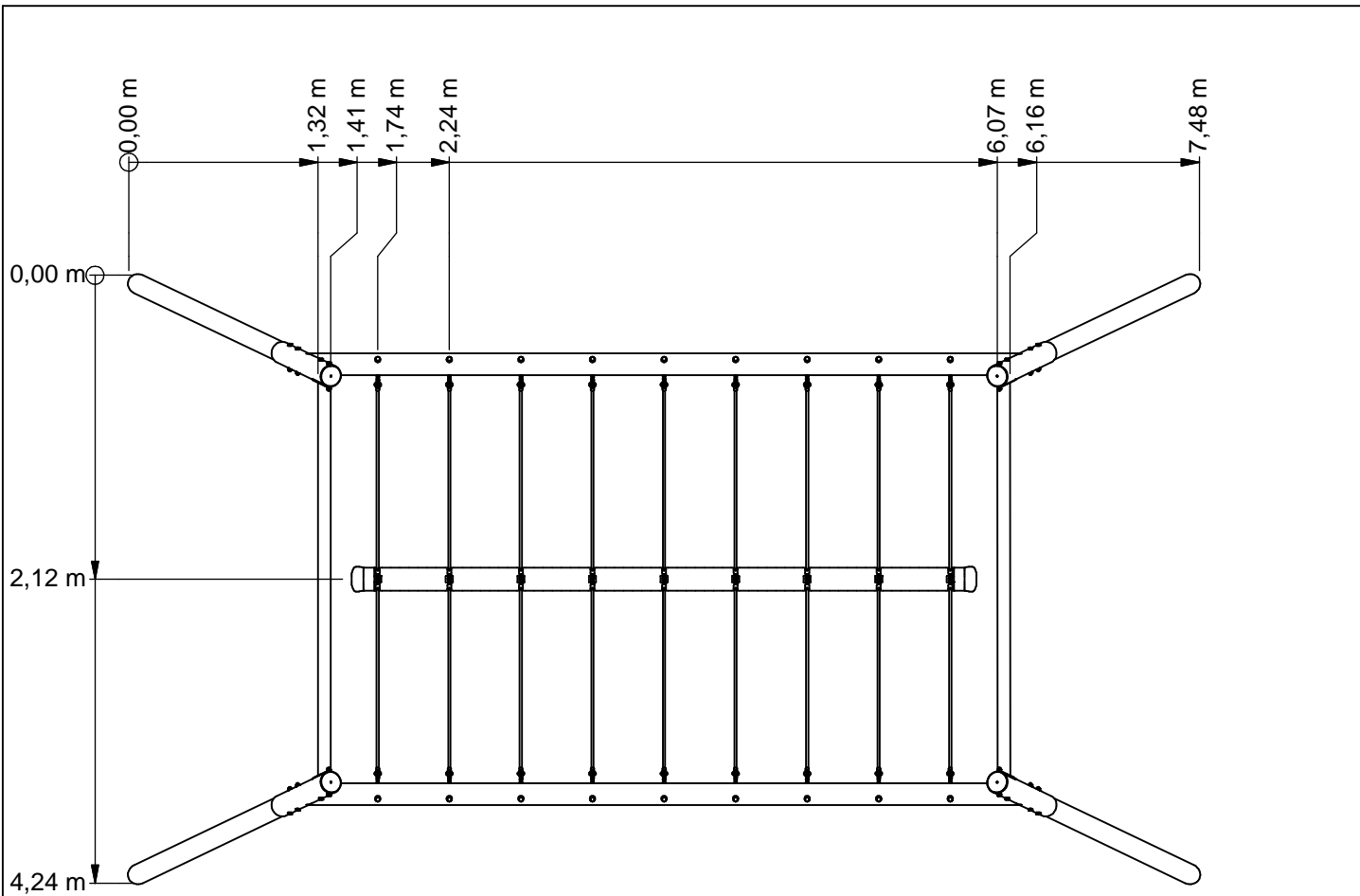




Family swing



SLPE000.260



Benaming
Title Familieschommel

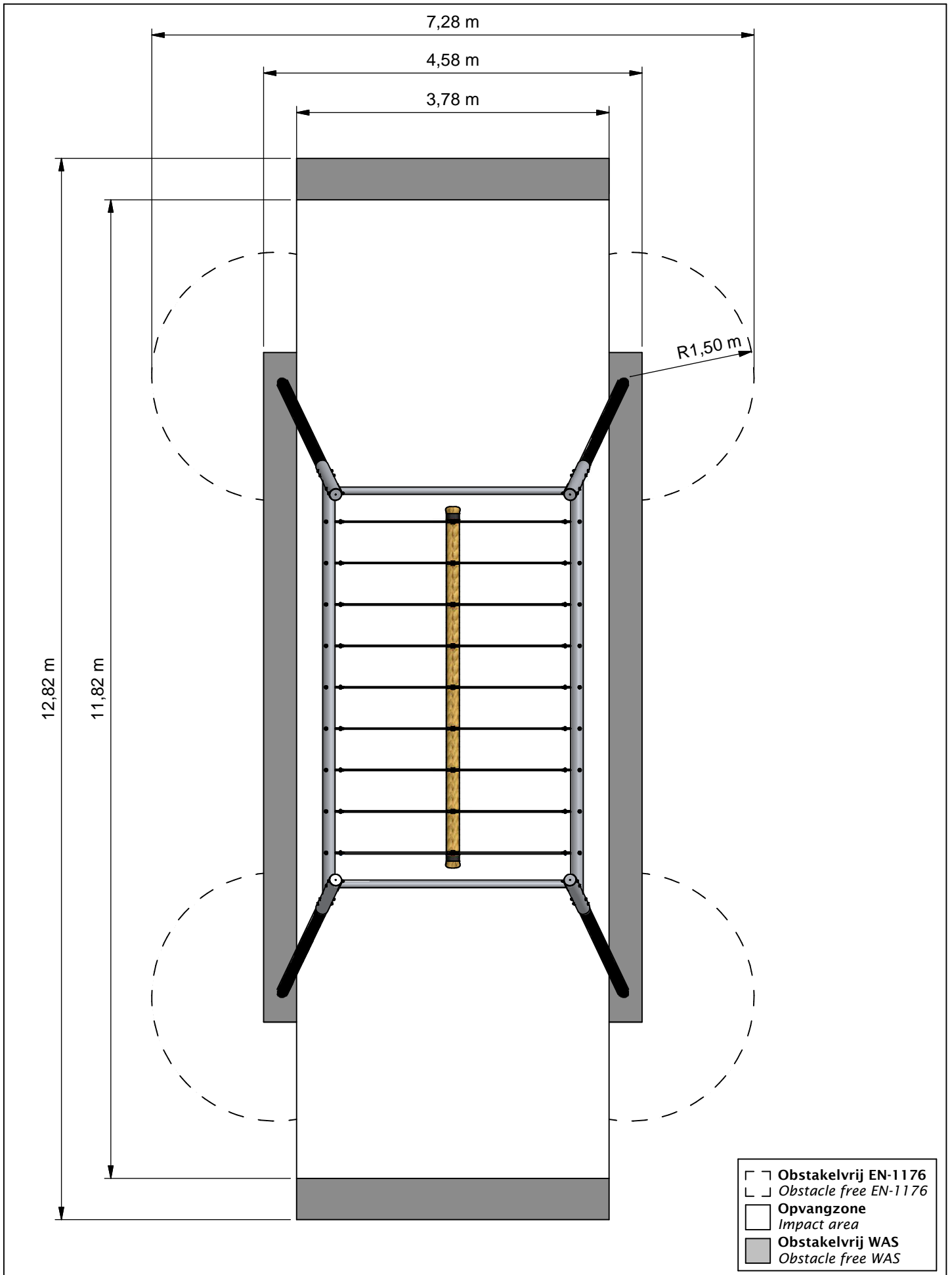
Opmerking
Comment Stellar play

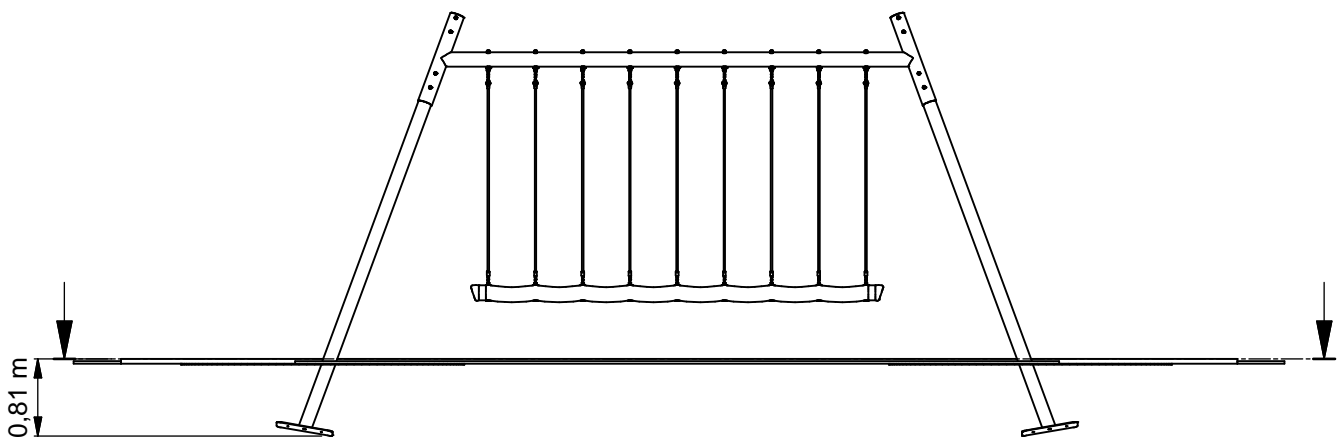
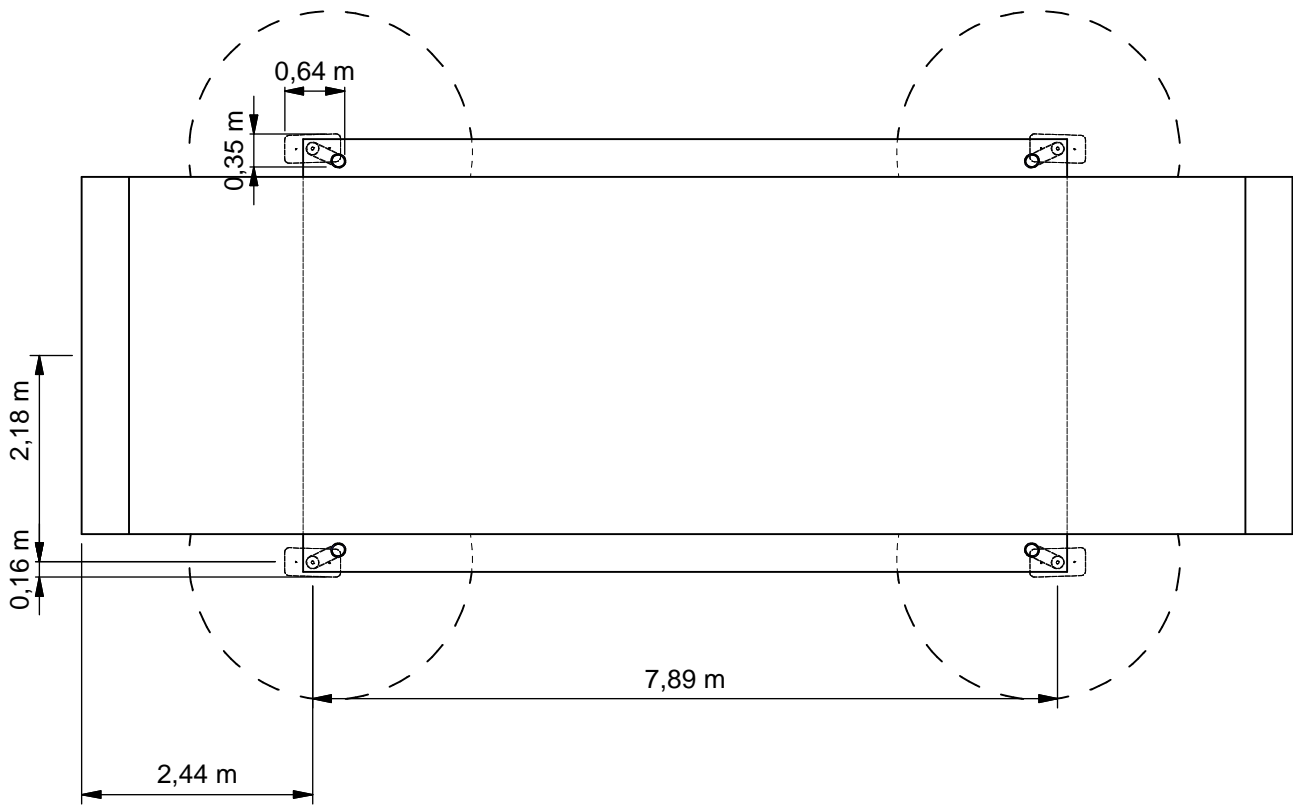
Datum
Date 18-2-2013

Tekening
Drawing

TOE SLP 000 260

Afmetingen Dimensions





Benaming
Title Familieschommel

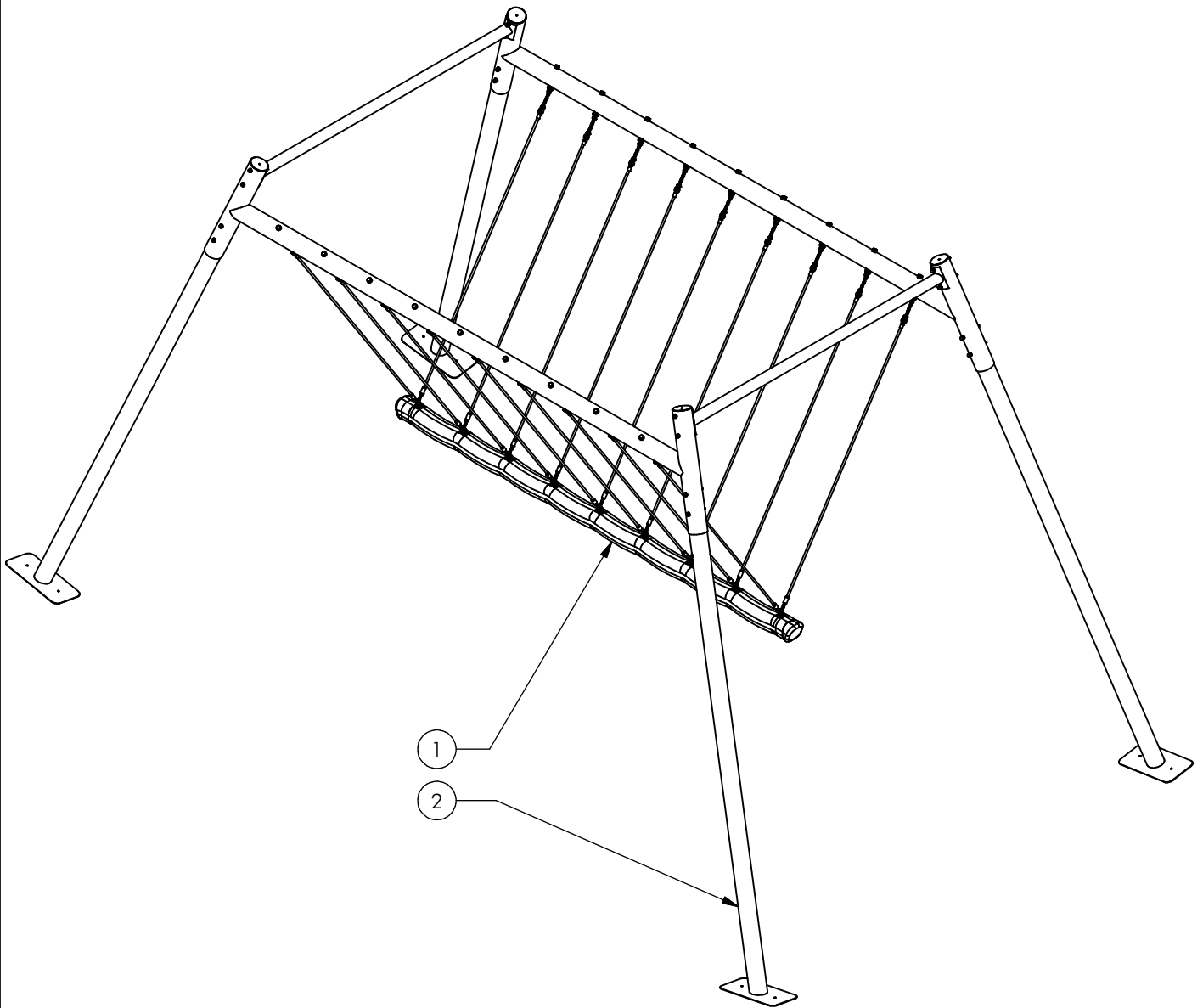
Opmerking
Comment Stellar play

Datum
Date 18-2-2013

Tekening
Drawing

TOE SLP 000 260

Bodemplan Groundplan



Nr	#	Type	Progr.	Volgnr	Bew.	Rev.	Benaming	Opmerking
1	1	MOD	SLP	006	005	A	Schommeltouw	Stellar play
2	1	MOD	SLP	006	006		Frame familieschommel	Stellar play



Benaming
Title Familieschommel

Opmerking
Comment Stellar play

Datum
Date 18-2-2013

Tekening
Drawing

TOE SLP 000 260

Modules Modules

Geleverde delen:

- A - Staanders
- B - Bovenliggers
- C - Dwarsbuis
- D - Dik schommeltouw met ophangtouw

Bevestiging sets:

- 1 - Bevestigingsset M16 voor de staanders
- 2 - Bevestigingsset M12 voor de ophangtouw
- 3 - Bevestigingsset M16 voor de dwarsbuizen

Montagevolgorde:

- 1 - Graaf de gaten volgens het bodemplan
- 2 - Schuif B over twee A, maak ze vast met 1. Maak beide C aan één kant vast aan B met 3
- 3 - Hijs de verbonden A, B en C overeind en plaats beide A in de gaten
- 4 - Plaats de overgebleven twee A in de overige gaten, schuif B over A en maak ze vast met 1
- 5 - Positioneer A en B tot ze aansluiten op C. Bevestig C aan de tweede B met 3
- 6 - Bevestig D aan B met 2
- 7 - Controleer of het toestel voldoet aan de afmetingen zoals op blad 'afmetingen'
- 8 - Dicht de gaten en verdicht het zand

Controles:

- 1 - Correcte opbouw en alle bevestigingsmiddelen
- 2 - Controleer de afmetingen van de valbodem t.o.v. het toestel

Supplied parts:

- A - Supports
- B - Upper beams
- C - Cross beams
- D - Big swinging rope with connecting ropes

Mounting kits:

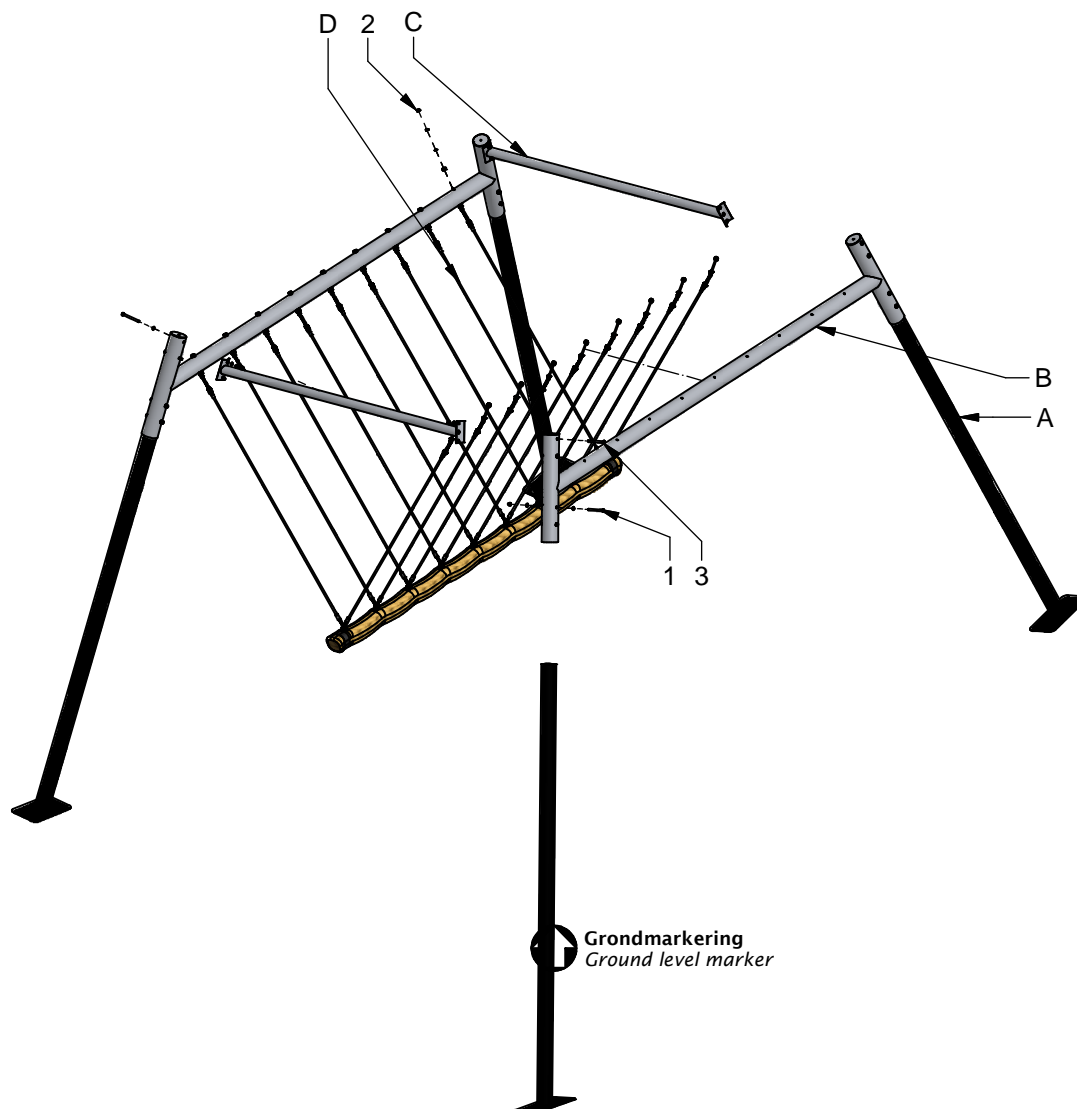
- 1 - Fastener set M16 for the supports
- 2 - Fastener set M12 for the connecting ropes
- 3 - Fastener set M16 for the cross beams

Assembly sequence:

- 1 - Dig the holes according to the ground plan
- 2 - Slide B over two A, attach them with 1. Attach both C on one side to B with 3
- 3 - Lift the connected A, B and C and place both A in the holes.
- 4 - Place the other two A in the remaining holes. Slide B over A and attach with 1
- 5 - Position A and B until they connect to C. Attach C to the second B with 3
- 6 - Attach D to B with 2
- 7 - Check that the equipment conforms to the dimensions shown on sheet 'dimensions'
- 8 - Close the holes and compact the sand

Checks:

- 1 - Correct assembly and all the fasteners
- 2 - Check the dimensions of the safety area compared to the play equipment



SLPE000.260

Family swing

LOGBOOK

(Onderstaand logboek kan gebruikt worden om te voldoen aan de eisen, gesteld in artikel 14 van het Warenwetbesluit Attractie- en Speeltoestellen)

Type indication	Stellar Play
Product code	SLPE000.260
Name of equipment	Familieschommel Stellar play
Maximum height of fall	2,0 m
Year of construction	2017
Certificate	035346
inspection authority	TUV Nederland QA BV De Waal 21c, Best - 5684 PH Best
Name manufacturer	BOERplay Hyacintstraat 2 - 4255 HX Nieuwendijk Phone: +31 (0)183 40 23 66 Fax: +31 (0)183 40 35 64
name installer	_____ _____
Description of equipment	Family swing
Location of equipment	_____
Data about the owner of the play equipment	
Name:	_____
Address:	_____
Postcode and town:	_____
Contact person:	_____
Telephone number:	_____
Data about the administrator of the play equipment	
Name:	_____
Address:	_____
Postcode and town:	_____
Contact person:	_____
Telephone number:	_____

LOGBOOK

Inspection and maintenance intervals



Nr.	Inspection	Maintenance	months between inspections
1	Verify equipment's stability, junctions and missing parts. Inspect bolts, screws and nuts for absence, jams, corrosion and wear.	Add missing parts, secure joints, apply missing fixing agent and replace corroded parts.	1
2	Check suspension for wear.	Replace worn parts and/or remove non-functioning parts.	1
3	Inspect rotating parts such as hinges, rolling-element bearings, etc. for wear and acceptability.	Replace worn parts and/or remove non-functioning parts.	1
4	Check wood for splinters, unacceptable damage and signs of rot. Especially at ground level.	Repair damage. Replace affected wood. Smoothen splintered wood and sharp edges.	1
5	Inspect foundation for stability, tearing and coverage.	Restore foundation and covering material.	3
6	Examine rubber and synthetic parts for wear, damage and break.	Replace original parts.	3
7	Inspect metal for corrosion and damage in the coating.	Restore any damaged coating (after removing rust and applying primer).	6
8	Check ropes, cables, chains and nets for wear and damage. Steel cables and nets which are tensioned must be checked for tension.	Replace parts where necessary. Steel cables and nets must be tensioned.	3
9	Inspect equipment for unsafe changes and additions.	Remove unsafe additions and correct unsafe changes.	1
10	Inspect safety surfaces.	Restore and repair where necessary.	1

Remarks

1. If used intensively, all points require extra attention.
2. Extreme weather conditions and locations may require a higher inspection frequency. Discuss this with the supplier.
3. Vandalism-sensitive locations require stricter inspections, possibly daily.
4. Check the terrain regularly for items that do not belong there, are unsafe or may be used wrongly. Examples are poisonous plants, glass shards, etc. Frequency depends on strain.
5. Remember that bad maintenance leads to unsafe conditions and notably faster impoverishment of the playground area.
6. Replacement parts can be ordered at the manufacturer with the part numbers on the module drawing. Drawings can be found in de user guide.
7. The impact area shall be provided with impact attenuating surface according to the specified falling height.
8. This list is conform the CEN-standard "playground equipment and surfacing NEN-EN 1176-7".

Warenwet

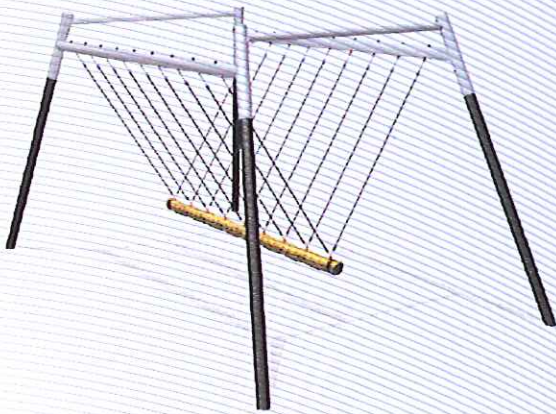
Certificaat van Typeonderzoek Type Examination Certificate

afgegeven door issued by

TÜV Nederland QA BV



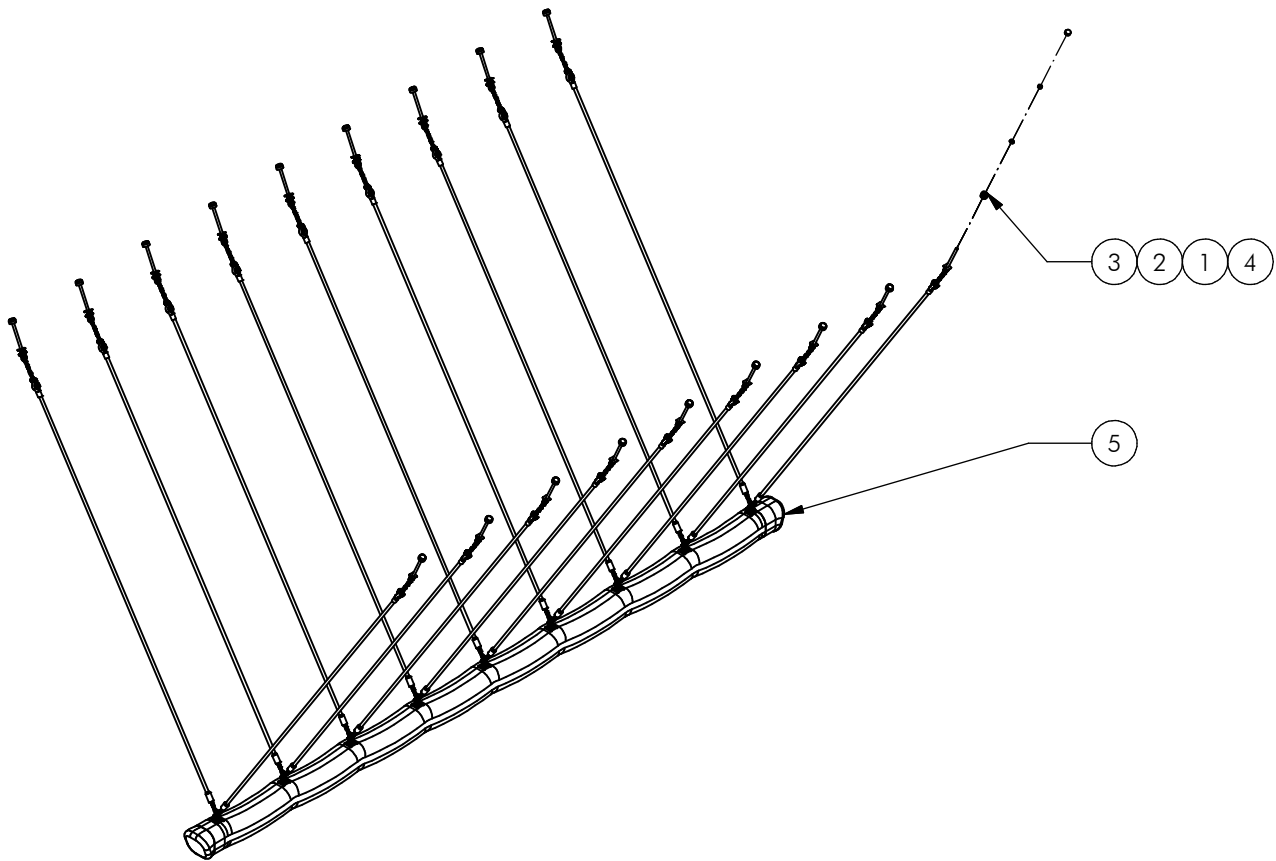
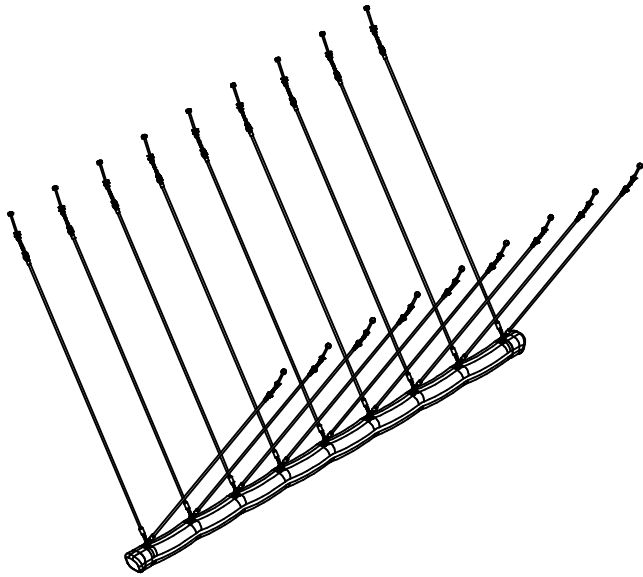
aangewezen bij ministeriële beschikking van 4 mei 2012, nr. VGP 3113590
commissioned by departmental order of 4 May 2012, no. VGP 3113590

Certificaat nr. Certificate nr.	035346TB_20130703	Dossierr. File nr.	035346TB
Productomschrijving Product description	Stellar Play Familieschommel		
Evt. nadere aanduidingen Further indications	Geschikt voor 8 personen		
voor nadere informatie zie bijbehorend rapport met gelijkloidend dossiernr. for further information see associated report with identical file nr.			
Eigenaar / certificaathouder en adres Owner/certificate holder and address	Boer Speeltoestellen B.V. Hyacintstraat 2 4255 HX NIEUWENDIJK		
Soort toestel Category of equipment	Speeltoestel / Playground equipment		
Fabrikant Manufacturer	Boer Speeltoestellen B.V. Hyacintstraat 2 4255 HX NIEUWENDIJK		
Type/Serienummer Type/Serial number	SLP.000.260 /	in te vullen door de fabrikant to be filled out by the manufacturer	
Jaar van fabricage Year of construction	vanaf 2013 since		
Leverancier Supplier	Boer Speeltoestellen B.V. Hyacintstraat 2 4255 HX NIEUWENDIJK		
Jaar van leverantie Year of supply			in te vullen door de leverancier to be filled out by the supplier
Datum keuring Date of examination	23-05-2013 – 03-07-2013		

TÜV Nederland QA BV, de Waal 21C, NL-5684 PH Best verklaart, dat het bovenaangehaalde toestel voldoet aan de vervaardigingvoorschriften genoemd in het Warenwetbesluit attractie- en speeltoestellen (met als leidraad de normatieve documenten NEN-EN 1176:2008).

TÜV Nederland QA BV declares that the here above mentioned equipment meets the safety and health requirements mentioned in the Dutch law "Warenwetbesluit attractie- en speeltoestellen" (guided by normative documents EN 1176:2008).

Namens het bestuur, For the board, A.C. Boon Directeur	
---	--



Nr	#	Type	Progr.	Volgnr	Bew.	Rev.	Benaming	Opmerking
1	18	BSV	010	012	012		Borgmoer	M12 - VZ 8.8
2	18	BSV	030	012	003		Sluitring	M12 - VZ 8.8
3	18	KST	DON	010	060		Beschermkop M10-M12	Donut zwart
4	18	KST	DOP	010	060		Beschermkop M10-M12	Dop zwart
5	1	SNT	SLP	002	006		Schommeltouw	Stellar play



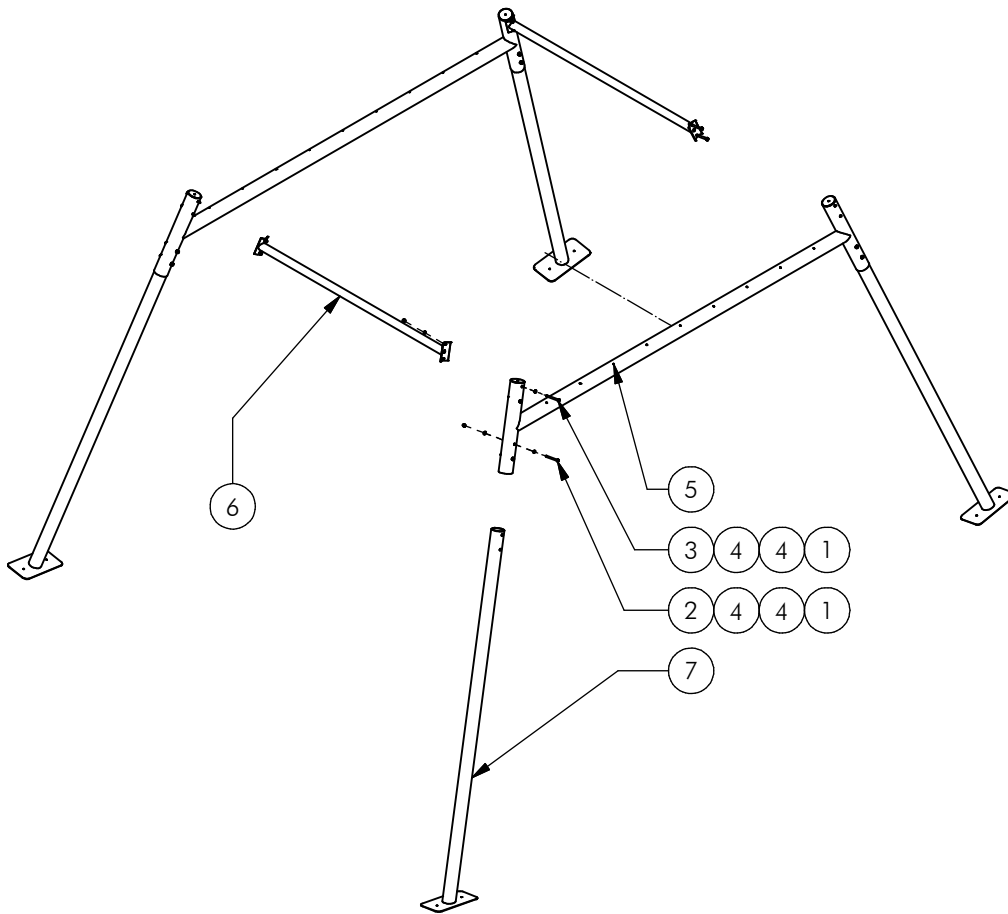
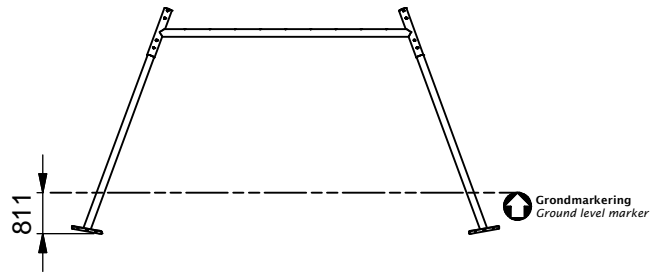
Benaming
Title Schommeltouw

Opmerking
Comment Stellar play

Datum
Date 6-5-2014

Tekening
Drawing

MOD SLP 006 005 A
 Samenstelling module *Assembly module*



Nr	#	Type	Progr.	Volgnr	Bew.	Rev.	Benaming	Opmerking
1	16	BSR	011	016	035		Borgdopmoer	M16 - RVS A2-70
2	8	BSR	021	016	170		Zeskantbout	M16 x 170 - RVS A2-70
3	8	BSR	021	016	180		Zeskantbout	M16 x 180 - RVS A2-70
4	32	BSR	030	016	003		Sluitring	M16 - RVS A2-70
5	2	SME	SLP	007	372	B	Draagbuis	Stellar play
6	2	SME	SLP	009	372	A	Ligger	Stellar play
7	4	SME	SLP	013	372		Staander	Stellar play



Benaming
Title: Frame familieschommel

Opmerking
Comment: Stellar play

Datum
Date: 18-2-2013

Tekening
Drawing

MOD SLP 006 006

Samenstelling module Assembly module