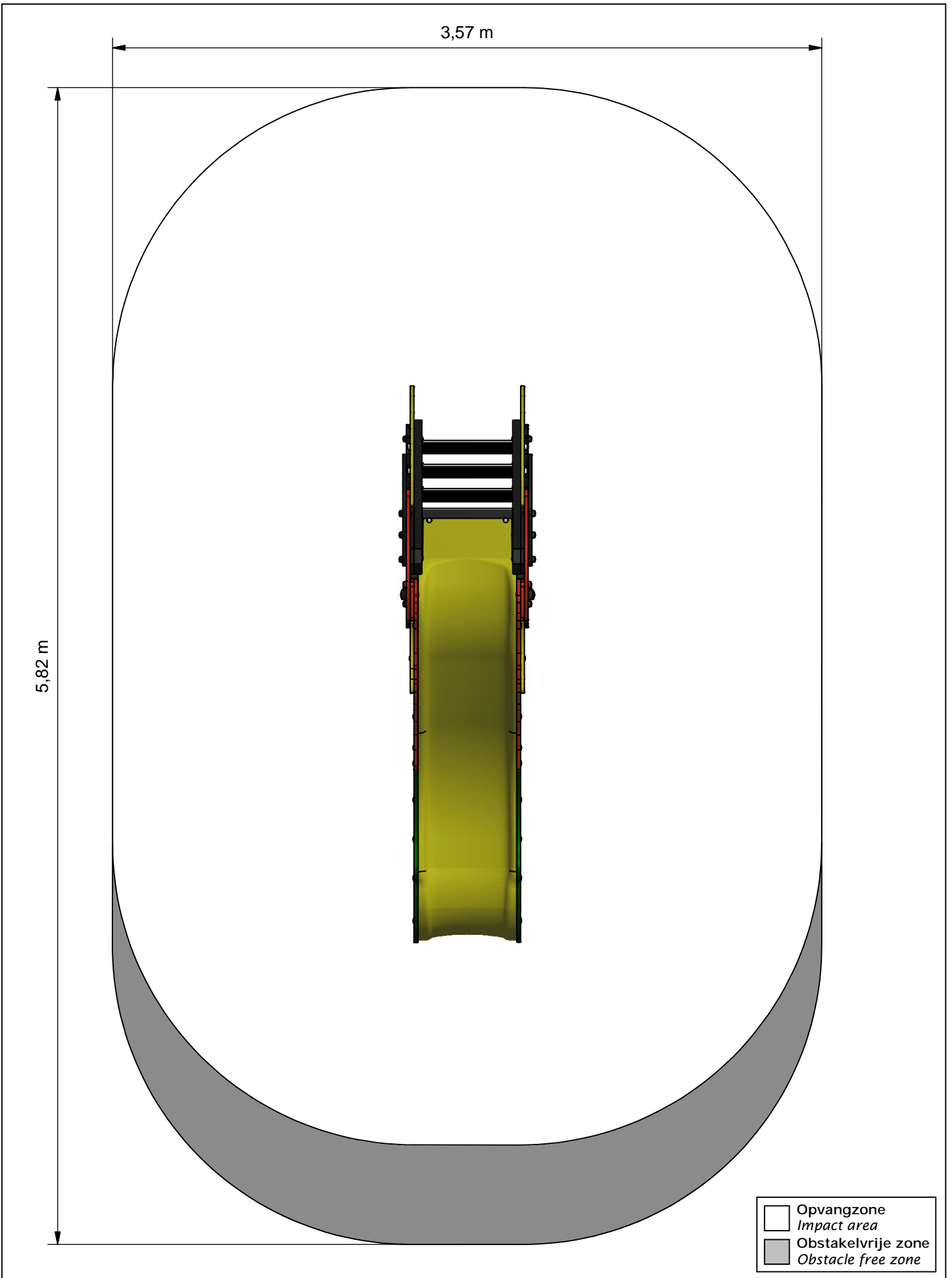




# Elephant slide



**MNPE731.001**



Benaming  
Title Olifant glijbaan

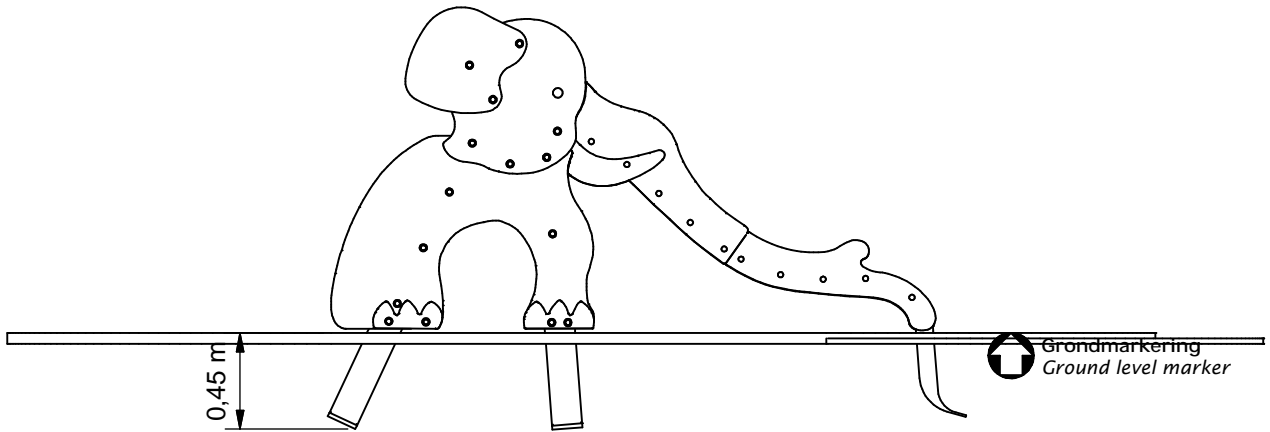
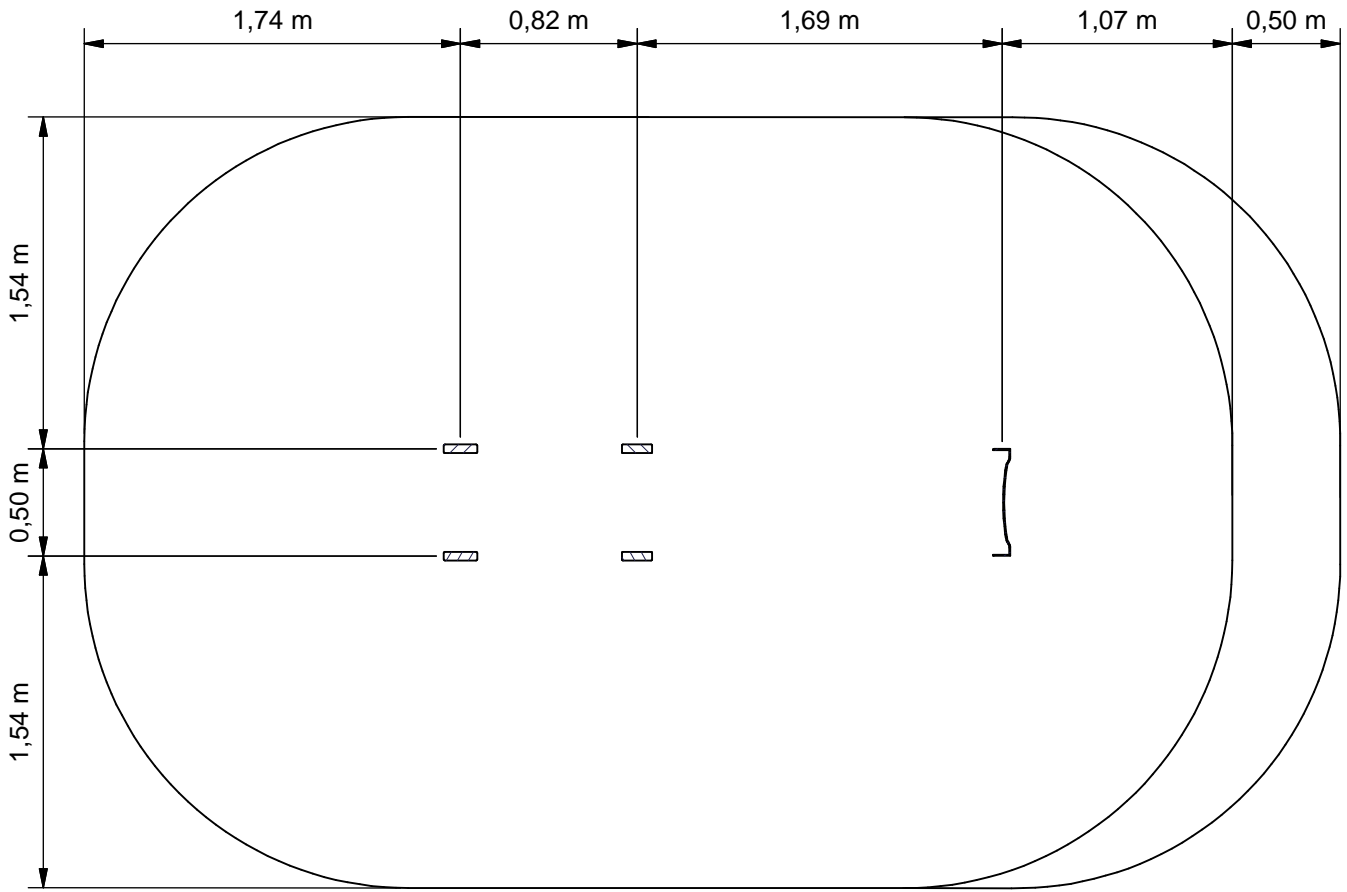
Opmerking  
Comment Mini Play

Datum  
Date 17-2-2015

Tekening  
Drawing

TOE MNP 731 001

Obstakelvrije zone *Obstacle free zone*

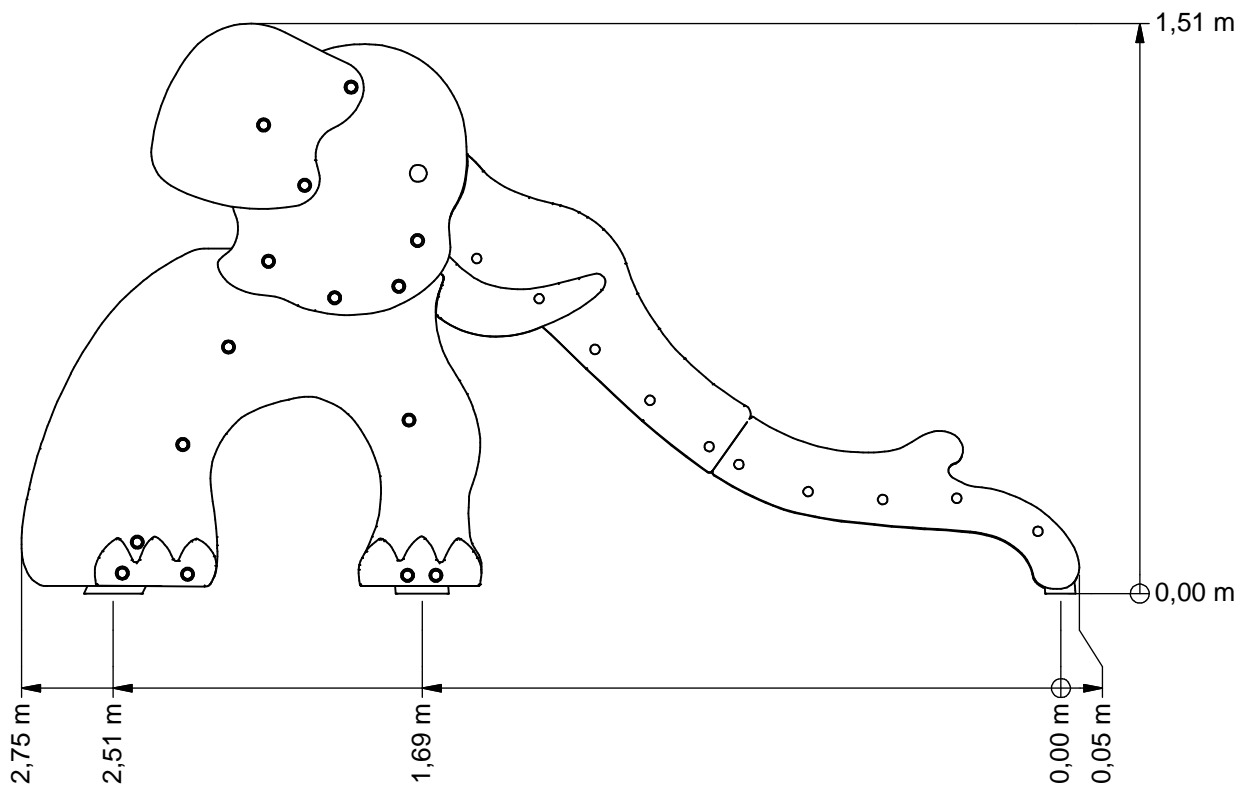
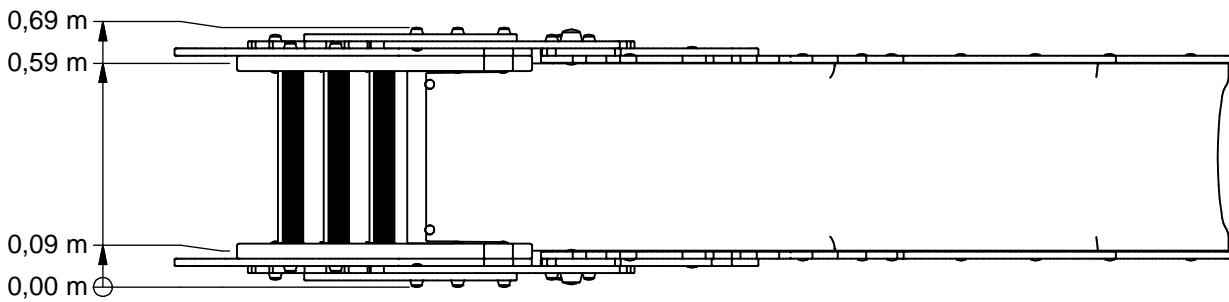
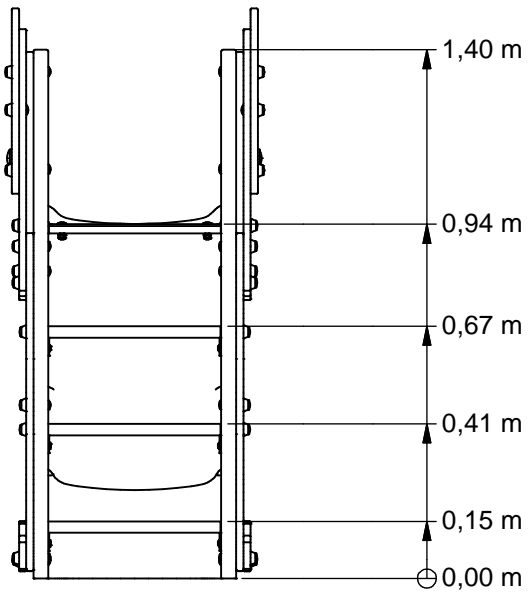


Benaming / Title: Olifant glijbaan  
 Opmerking / Comment: Mini Play  
 Datum / Date: 17-2-2015

Tekening / Drawing

TOE MNP 731 001

Bodemplan Groundplan



Benaming  
Title Olifant glijbaan

Opmerking  
Comment Mini Play

Datum  
Date 17-2-2015

Tekening  
Drawing

TOE MNP 731 001

Afmetingen Dimensions

**Geleverde modules:**

Zie tabel

**Supplied modules:**

See table

**Montageinstructie:**

- De hoofdmaten geven de maten van de standers en vloeren aan
- De detailtekeningen geven specifiek de maten van de verbindingen aan
- De modules met buizen zijn op de tekeningen bemaat op bovenkant kopplaat
- Overige modules zijn bemaat op de bovenkant (klimwanden, paalkappen, etc.)

**Assembly instruction:**

- The main dimensions indicate the dimensions of the posts and floors
- The detailed dimensions show the specific dimensions of the connections
- The modules which contain tubes are dimensioned at the top of the flanges
- Other modules are dimensioned at the top (climbing walls, caps for the posts, etc.)

**Montagevolgorde:**

- 1 - Graaf de gaten volgens het bodemplan
- 2 - Plaats 1
- 3 - Plaats 2 en verbind deze met 1
- 4 - Controleer of het toestel voldoet aan de afmetingen zoals op blad 'afmetingen'
- 5 - Dicht de gaten en verdicht het zand

**Assembly sequence:**

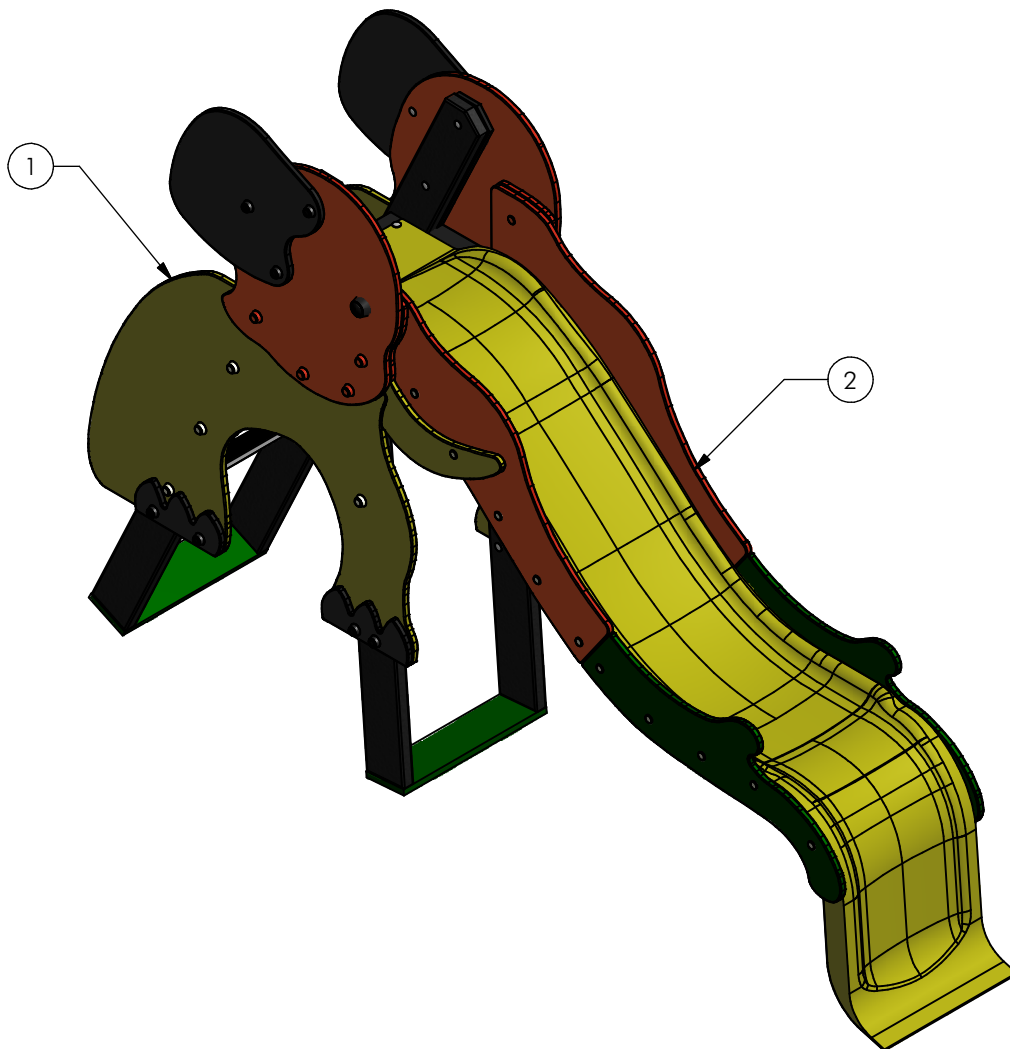
- 1 - Dig the holes according to the ground plan
- 2 - Place 1
- 3 - Place 2 and attach it to 1
- 4 - Check that the equipment conforms to the dimensions shown on sheet 'dimensions'
- 5 - Close the holes and compact the sand

**Controles:**

- 1 - Correcte opbouw en alle bevestigingsmiddelen
- 2 - Controleer de afmetingen van de valbodem t.o.v. het toestel

**Checks:**

- 1 - Correct assembly and all the fasteners
- 2 - Check the dimensions of the safety area with regard to the play equipment



Nr	#	Type	Progr.	Volgnr	Bew.	Rev.	Benaming	Opmerking
1	1	MOD	MNP	343	014		Lijf olifant	Mini Play
2	1	MOD	MNP	343	015		Slurf olifant	Mini Play



Benaming  
Title | Olifant glijbaan

Opmerking  
Comment | Mini Play

Datum  
Date | 17-2-2015

Tekening  
Drawing

TOE MNP 731 001

Modules Modules

# MNPE731.001

Elephant slide

## LOGBOOK

(Onderstaand logboek kan gebruikt worden om te voldoen aan de eisen, gesteld in artikel 14 van het Warenwetbesluit Attractie- en Speeltoestellen)

Type indication	Mini Play
Product code	MNPE731.001
Name of equipment	Olifantenglijbaan
Maximum height of fall	1,0 m
Year of construction	2017
Certificate	4432004346570008
inspection authority	TUV Nord Langemarckstrasse 20, Essen - 45141 Essen
Name manufacturer	BOERplay Hyacintstraat 2 - 4255 HX Nieuwendijk Phone: +31 (0)183 40 23 66 Fax: +31 (0)183 40 35 64
name installer	_____ _____
Description of equipment	Elephant slide
Location of equipment	_____
Data about the owner of the play equipment	
Name:	_____
Address:	_____
Postcode and town:	_____
Contact person:	_____
Telephone number:	_____
Data about the administrator of the play equipment	
Name:	_____
Address:	_____
Postcode and town:	_____
Contact person:	_____
Telephone number:	_____

# LOGBOOK

## Inspection and maintenance intervals



Nr.	Inspection	Maintenance	months between inspections
1	Verify equipment's stability, junctions and missing parts. Inspect bolts, screws and nuts for absence, jams, corrosion and wear.	Add missing parts, secure joints, apply missing fixing agent and replace corroded parts.	1
2	Check suspension for wear.	Replace worn parts and/or remove non-functioning parts.	1
3	Inspect rotating parts such as hinges, rolling-element bearings, etc. for wear and acceptability.	Replace worn parts and/or remove non-functioning parts.	1
4	Check wood for splinters, unacceptable damage and signs of rot. Especially at ground level.	Repair damage. Replace affected wood. Smoothen splintered wood and sharp edges.	1
5	Inspect foundation for stability, tearing and coverage.	Restore foundation and covering material.	3
6	Examine rubber and synthetic parts for wear, damage and break.	Replace original parts.	3
7	Inspect metal for corrosion and damage in the coating.	Restore any damaged coating (after removing rust and applying primer).	6
8	Check ropes, cables, chains and nets for wear and damage. Steel cables and nets which are tensioned must be checked for tension.	Replace parts where necessary. Steel cables and nets must be tensioned.	3
9	Inspect equipment for unsafe changes and additions.	Remove unsafe additions and correct unsafe changes.	1
10	Inspect safety surfaces.	Restore and repair where necessary.	1

## Remarks

1. If used intensively, all points require extra attention.
2. Extreme weather conditions and locations may require a higher inspection frequency. Discuss this with the supplier.
3. Vandalism-sensitive locations require stricter inspections, possibly daily.
4. Check the terrain regularly for items that do not belong there, are unsafe or may be used wrongly. Examples are poisonous plants, glass shards, etc. Frequency depends on strain.
5. Remember that bad maintenance leads to unsafe conditions and notably faster impoverishment of the playground area.
6. Replacement parts can be ordered at the manufacturer with the part numbers on the module drawing. Drawings can be found in de user guide.
7. The impact area shall be provided with impact attenuating surface according to the specified falling height.
8. This list is conform the CEN-standard "playground equipment and surfacing NEN-EN 1176-7".

# Zertifikat

Certificate

**Registrier-Nr.**

Registered No.

**44 320 07 346570-008**

**Zeichen des Auftraggebers**  
Customer's reference

Herr J. van Rooij

**Auftragsdatum**  
Date of order

09.03.2007

**Aktenzeichen**  
File reference

2.4-251/90 Ar/Spri

**Prüfbericht Nr.**  
Test report no.

07320346570

**Name und Anschrift  
des Auftraggebers**

**Boer Speeltoestellen B.V.**  
Hyacintstraat 2, 4255 HX Nieuwendijk, Niederlande

Name and address of  
the customer

ist berechtigt, das unten  
genannte Produkt  
mit dem abgebildeten Zeichen  
zu kennzeichnen



is authorized to  
provide the product  
mentioned below with  
the mark as illustrated

**Fertigungsstätte**

**Boer Speeltoestellen B.V.**  
Hyacintstraat 2, 4255 HX Nieuwendijk, Niederlande

Manufacturing plant

**Geprüft nach**

**DIN EN 1176-1: 2003-07, DIN EN 1176-2: 2003-07**  
**DIN EN 1176-3: 2003-07, DIN EN 1176-5: 2003-07**

Tested in accordance with

**Das Produkt entspricht den Anforderungen des Geräte- und Produktsicherheitsgesetzes GPSG § 7(1)**  
The product is conform with the requirements of the Equipment and Product Safety Act – GPSG § 7(1)

**Beschreibung des  
Produktes**  
(Details s. Anlage 1)

**Spielplatzgeräte Inter Play**  
Playground equipment Inter Play

Description of product  
(Details see Annex 1)

**TÜV NORD CERT GmbH**  
Zertifizierungsstelle für  
Produktsicherheit

**Gültig bis / Valid until: 19.06.2012**



**Essen, 19.06.2007**

**Bitte beachten sie auch die umseitigen Hinweise**  
Please also pay attention to the information stated overleaf



Anlage 1 zum Zertifikat Nr.: / Annex 1 to Certificate No.: 44 320 07 346570-008

Aktenzeichen: / File reference: 2.4-251/90

Artikel Nr.	Beschreibung
34.3.701.XXXXX	Federwippe Kamel
34.3.702.XXXXX	Federwippe Tukan
34.3.703.XXXXX	Federwippe Eichhörnchen
34.3.704.XXXXX	Federwippe Seehund
34.3.705.XXXXX	Federwippe Entensitz
34.3.706.XXXXX	Federwippe Blauschwanz
34.3.707.XXXXX	Federwippe Hund
34.3.708.XXXXX	Federwippe Pferd
34.3.709.XXXXX	Federwippe Gondel
34.3.710.XXXXX	Federwippe Motorrad
34.3.714.XXXXX	Vierfachfederwippe Margerite
34.3.715.XXXXX	Federwippe Delphin
34.7.716.XXXXX	Federwippe Schmetterling
34.3.717.XXXXX	Federwippe Fisch
34.3.901.XXXXX	Federwippe Vogel
34.3.902.XXXXX	Federwippe Schlange

Artikel Nr.	Beschreibung
34.3.726.XXXXX	Spielhaus
34.3.727.XXXXX	Spielhaus
34.3.728.XXXXX	Picknickhaus
34.3.729.XXXXX	Picknickset

Die oben aufgeführten Produkte dürfen wie folgt gekennzeichnet werden:  
The above mentioned products could be provided with the following marking:

TÜV NORD CERT GmbH  
Zertifizierungsstelle für  
Produktsicherheit



Artikel Nr.	Beschreibung
34.3.731.XXXXX	Rutsche
34.3.730.XXXXX	Spielhaus mit Rutsche

Artikel Nr.	Beschreibung
34.3.741.XXXXX	Federbalkenwippe
34.3.742.XXXXX	Vierfachfederwippe
34.3.743.XXXXX	Balkenfederwippe
34.3.744.XXXXX	Balkenfederwippe

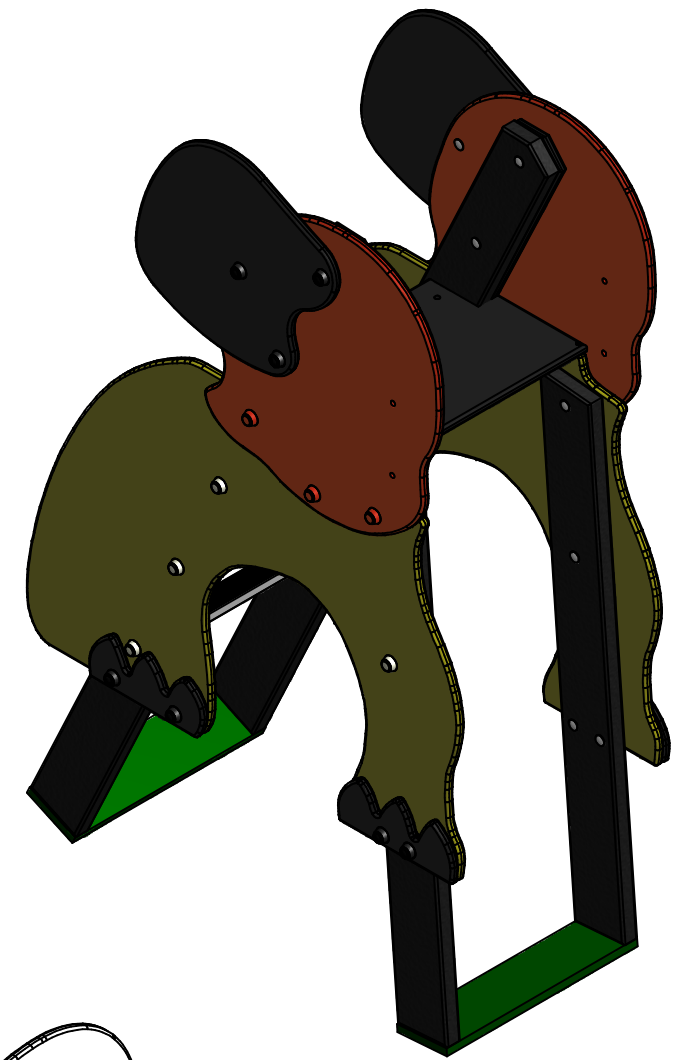
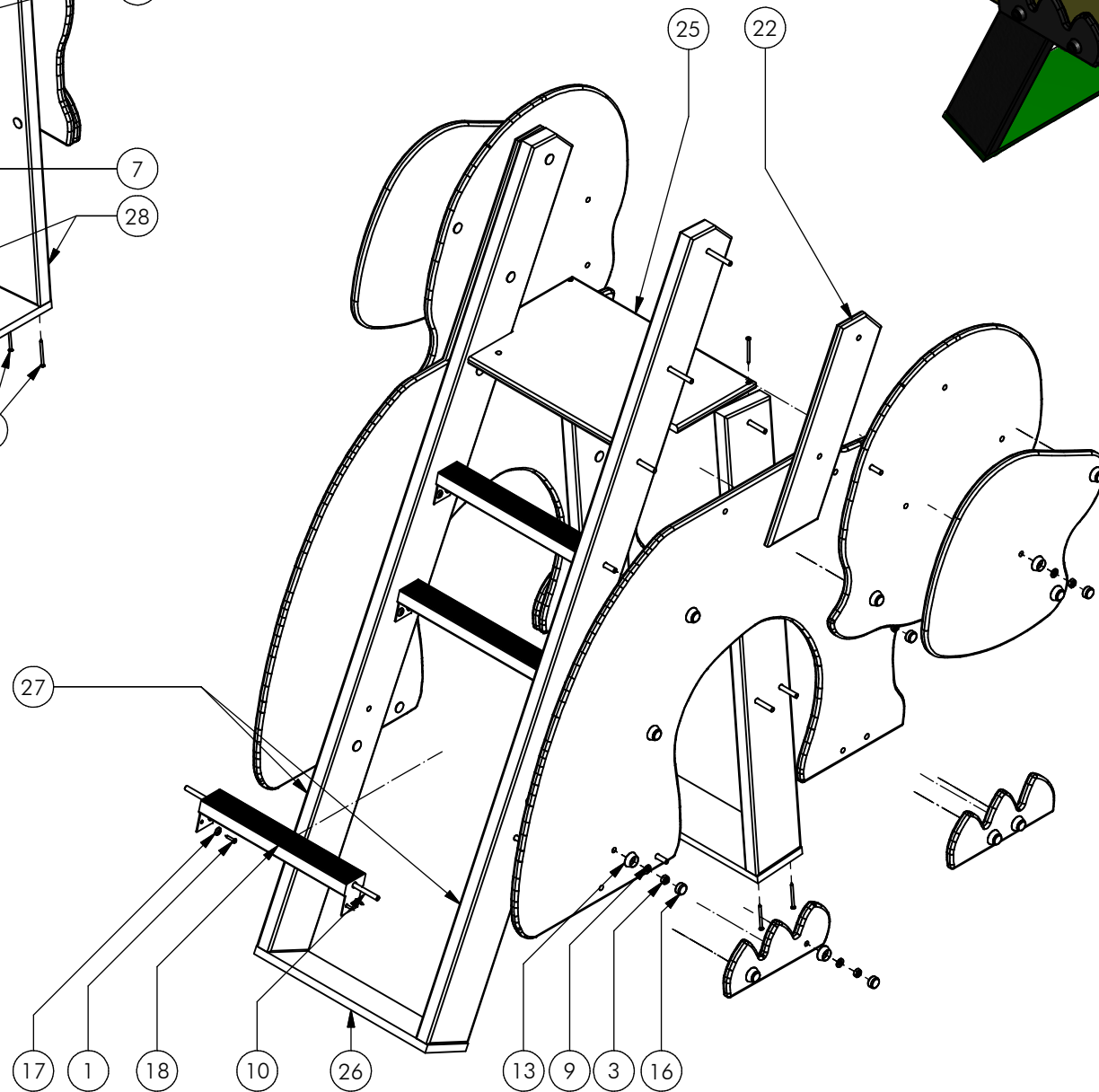
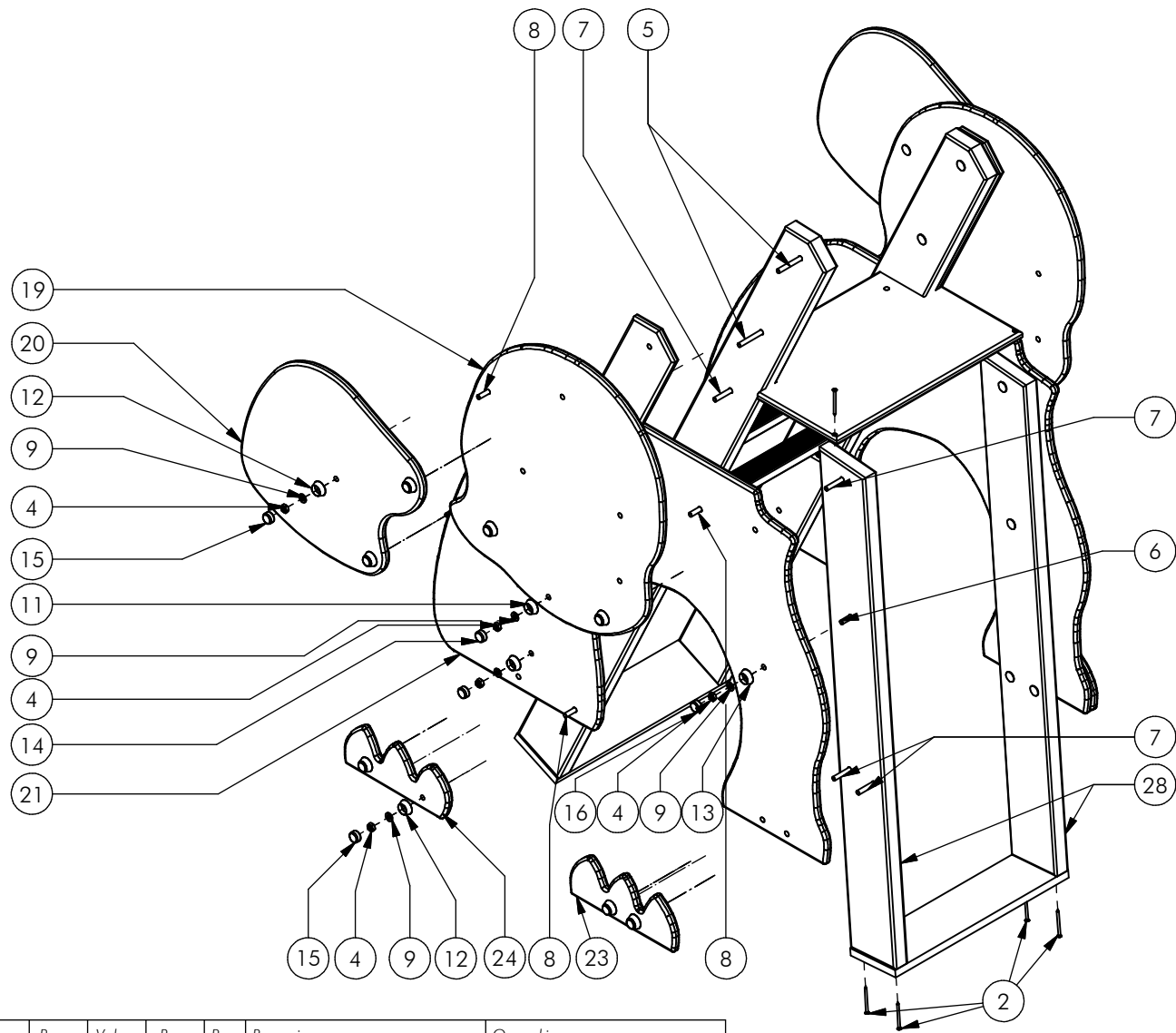
Artikel Nr.	Beschreibung
34.3.771.XXXXX	Spielhaus mit Rutsche
34.3.772.XXXXX	Spielkombination mit 2 Rutschen

Artikel Nr.	Beschreibung
34.3.800.XXXXX	Sandspielkombination
34.3.810.XXXXX	Sandspielkombination mit Rutsche und Kletterbrücke

Die oben aufgeführten Produkte dürfen wie folgt gekennzeichnet werden:  
*The above mentioned products could be provided with the following marking:*

TÜV NORD CERT GmbH  
Zertifizierungsstelle für  
Produktsicherheit





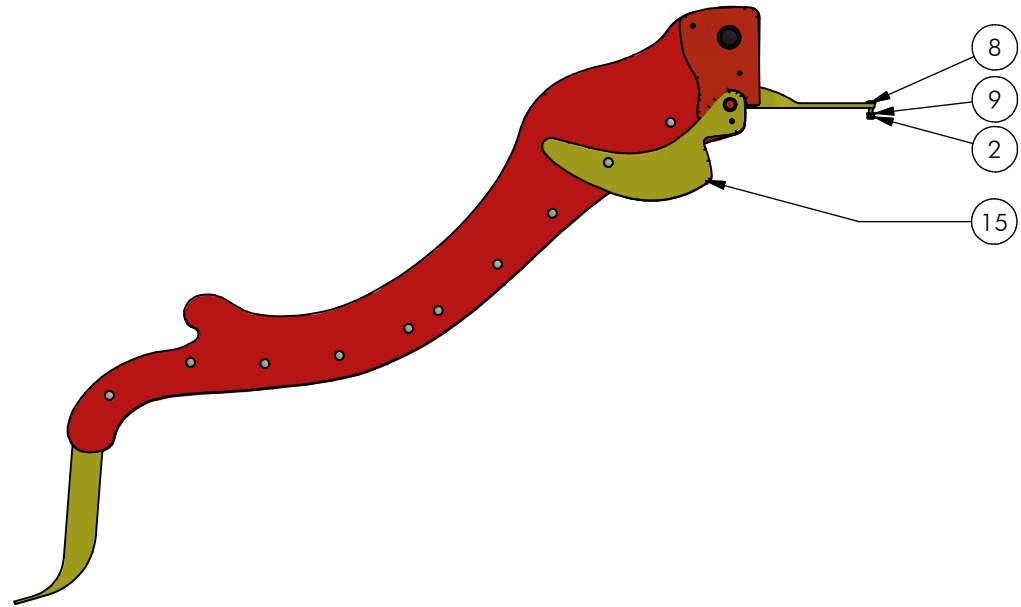
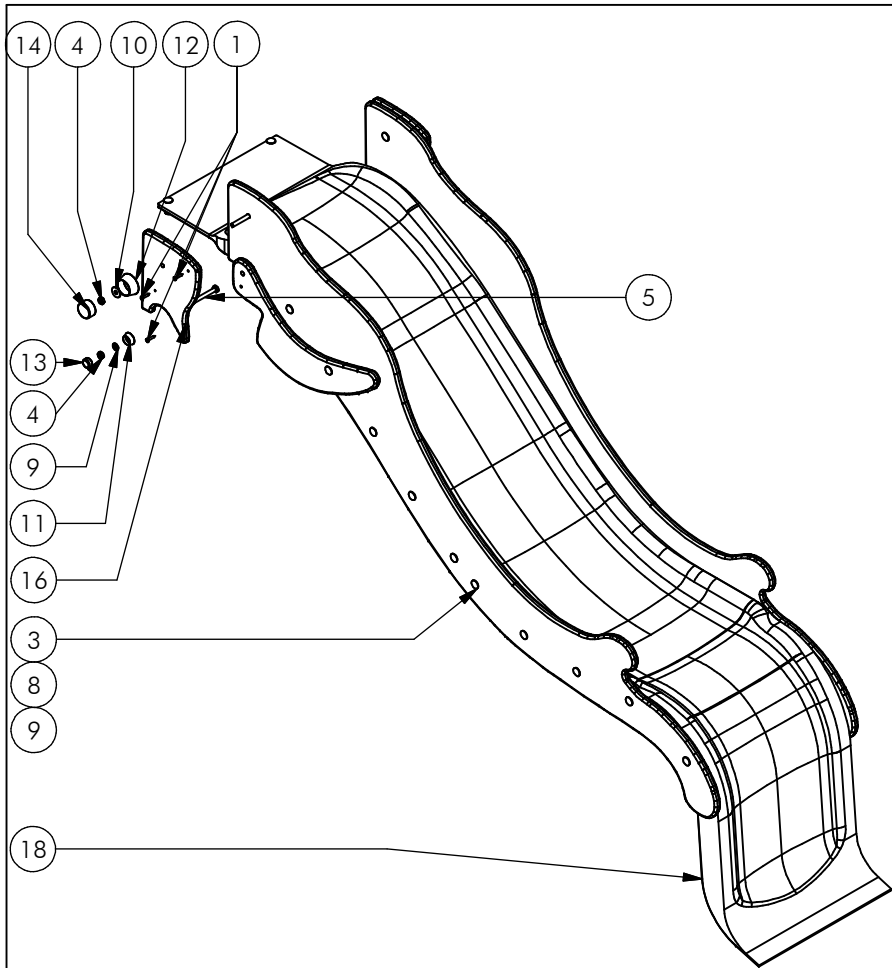
Nr	#	Type	Progr.	Volgnr	Bew.	Rev.	Benaming	Opmerking
1	12	BSV	004	005	030		Schroef verz.	5 x 30 - VZ 8.8
2	10	BSV	004	005	070		Schroef verz.	5 x70 - VZ 8.8
3	6	BSV	010	010	010		Borgmoer	M10 - VZ 8.8
4	22	BSV	017	010	008		Zeskantmoer	M10 - VZ 8.8
5	4	BSV	026	010	110		Slotbout	M10 x 110 - VZ 8.8
6	2	BSV	026	010	070		Slotbout	M10 x 70 - VZ 8.8
7	10	BSV	026	010	090		Slotbout	M10 x 90 - VZ 8.8
8	6	BSV	026	010	050		Slotbout	M10 x 50 - VZ 8.8
9	28	BSV	030	010	002		Sluitring	M10 - VZ 8.8
10	3	BSV	060	010	595		Draadeind	M10, L 595mm
11	6	KST	DON	011	030		interplay donut M10 rood	84395000022
12	14	KST	DON	011	090		interplay donut	zwart
13	8	KST	DON	011	020		interplay donut M10 wit	84395000012
14	6	KST	DOP	011	030		interplay dop M10 rood	84395000024
15	14	KST	DOP	011	090		interplay dop	zwart
16	8	KST	DOP	011	020		interplay dop M10 wit	84395000014
17	12	KST	ROR	006	000		ROZETRING M5	ZWART
18	3	OME	MNP	227	906		Trede ladder	Boer miniplay
19	2	OPE	MNP	242	030		Kop olifant	Mini Play
20	2	OPE	MNP	243	090		Oor olifant	Mini Play
21	2	OPE	MNP	244	010		Lijf olifant	Mini Play
22	2	OPE	MNP	248	090		Tussenstuk trap olifant	Mini Play
23	2	OPE	MNP	249	090		Voorpoot olifant	Mini Play
24	2	OPE	MNP	250	090		Achterpoot olifant	Mini Play
25	1	OPE	MNP	251	090		Plateau olifant	Mini Play
26	2	OPE	MNP	252	XXX		Verbindingsstrook	Mini Play
27	2	ORE	MNP	022	140		Balk 140 x 40 L = 1980	Trapboom
28	2	ORE	MNP	023	140		Balk 140 x 40 L = 1295	Staander



Benaming Lijf olifant  
 Opmerking Mini Play  
 Datum 16-2-2015

Tekening Drawing

**MOD MNP 343 014**  
 Samenstelling module Assembly module



Nr.	#	Type	Progr.	Volgnr.	Bew.	Rev.	Benaming	Opmerking
1	6	BSV	004	005	030		Schroef verz.	5 x 30 - VZ 8.8
2	2	BSV	010	010	010		Borgmoer	M10 - VZ 8.8
3	20	BSV	011	010	020		Borgdopmoer	M10 - VZ 8.8
4	4	BSV	017	010	008		Zeskantmoer	M10 - VZ 8.8
5	2	BSV	021	010	080		Zeskantbout ISO 4014	M10 x 80 - VZ 8.8
6	3	BSV	026	010	060		SLOTBOUT	M10x60
7	1	BSV	026	010	080		Slotbout	M10x80
8	20	BSV	026	010	040		Slotbout	M10 x 40 - VZ 8.8
9	26	BSV	030	010	002		SLUITRING	M10 VZ
10	2	BSV	035	010	030		Carrosseriering	M10 x 30 - VZ 8.8
11	2	KST	DON	011	030		interplay donut M10 rood	84395000022
12	2	KST	DON	012	090		miniplay donut M12 zwart	
13	2	KST	DOP	011	030		interplay dop M10 rood	84395000024
14	2	KST	DOP	012	090		Miniplay dop	art.nr.823950000162
15	2	OPE	MNP	245	010	A	Tand links olifant	Mini Play
16	2	OPE	MNP	247	030		Tussenstuk kop olifant	Mini Play
17	2	OPE	MNP	478	030		Zijwang	IP Glijbaan
18	1	POL	MNP	007	123		Glijbaan	Miniplay 0,95m



Benaming  
Title | Slurf olifant

Opmerking  
Comment | Mini Play

Datum  
Date | 16-2-2015

Tekening  
Drawing

**MOD MNP 343 015 A**  
 Samenstelling module *Assembly module*