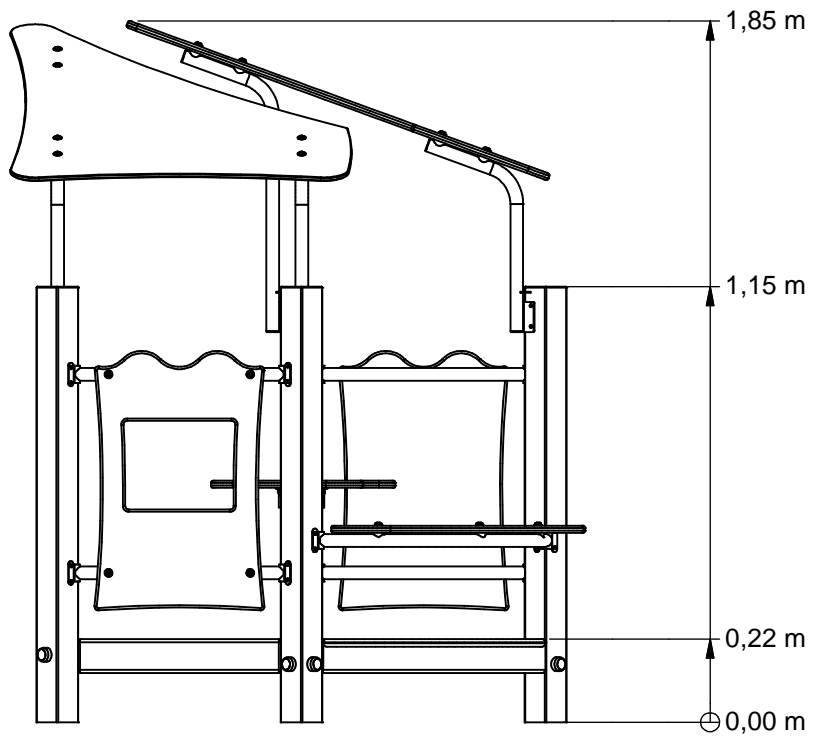
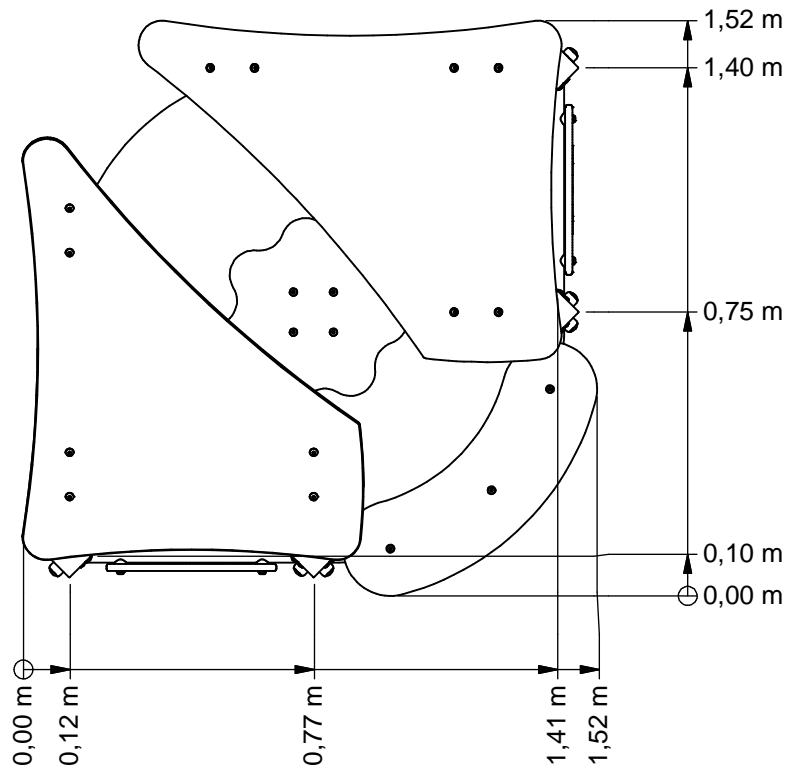




Playhouse



UKPE043.01R



Benaming
Title Ukkepek

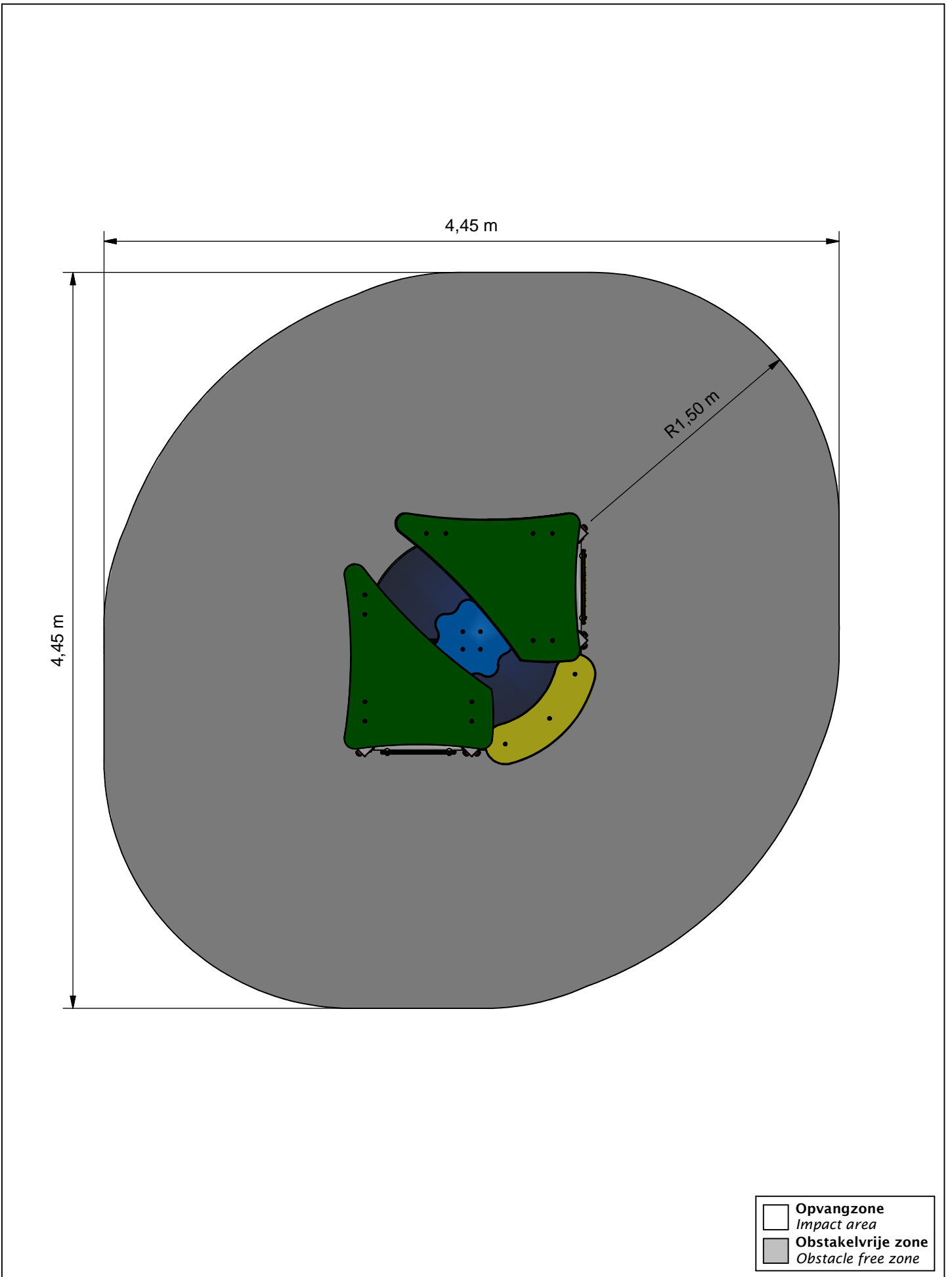
Opmerking
Comment RVS

Datum
Date 7-4-2014

Tekening
Drawing

TOE UKP 043 01R A

Afmetingen Dimensions



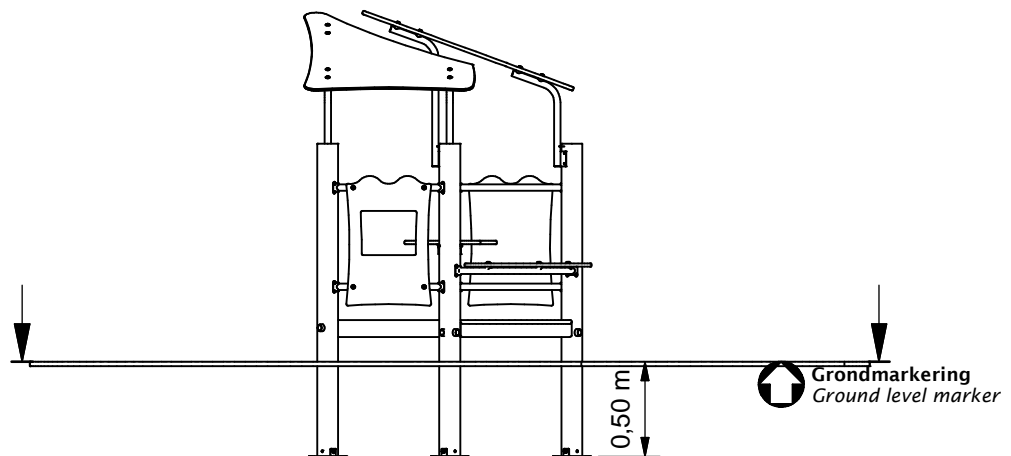
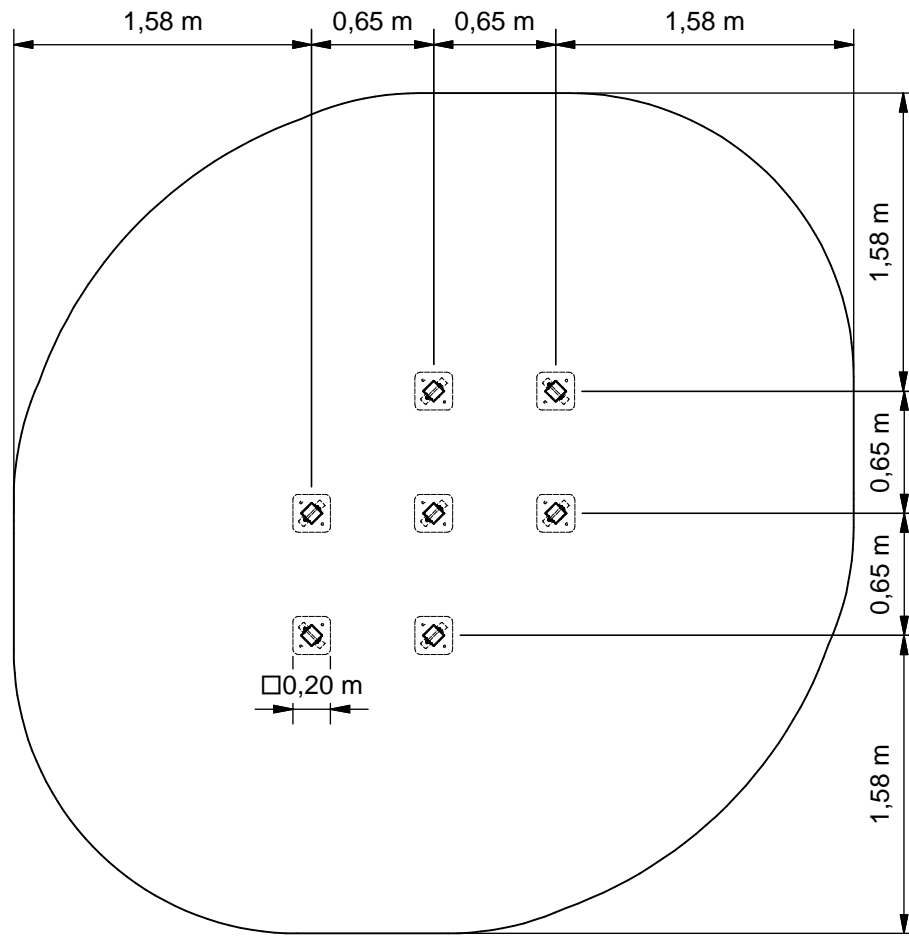
Benaming
Title Ukkepuk

Opmerking
Comment RVS

Datum
Date 7-4-2014

Tekening
Drawing

TOE UKP 043 01R A
Obstakelvrije zone *Obstacle free zone*

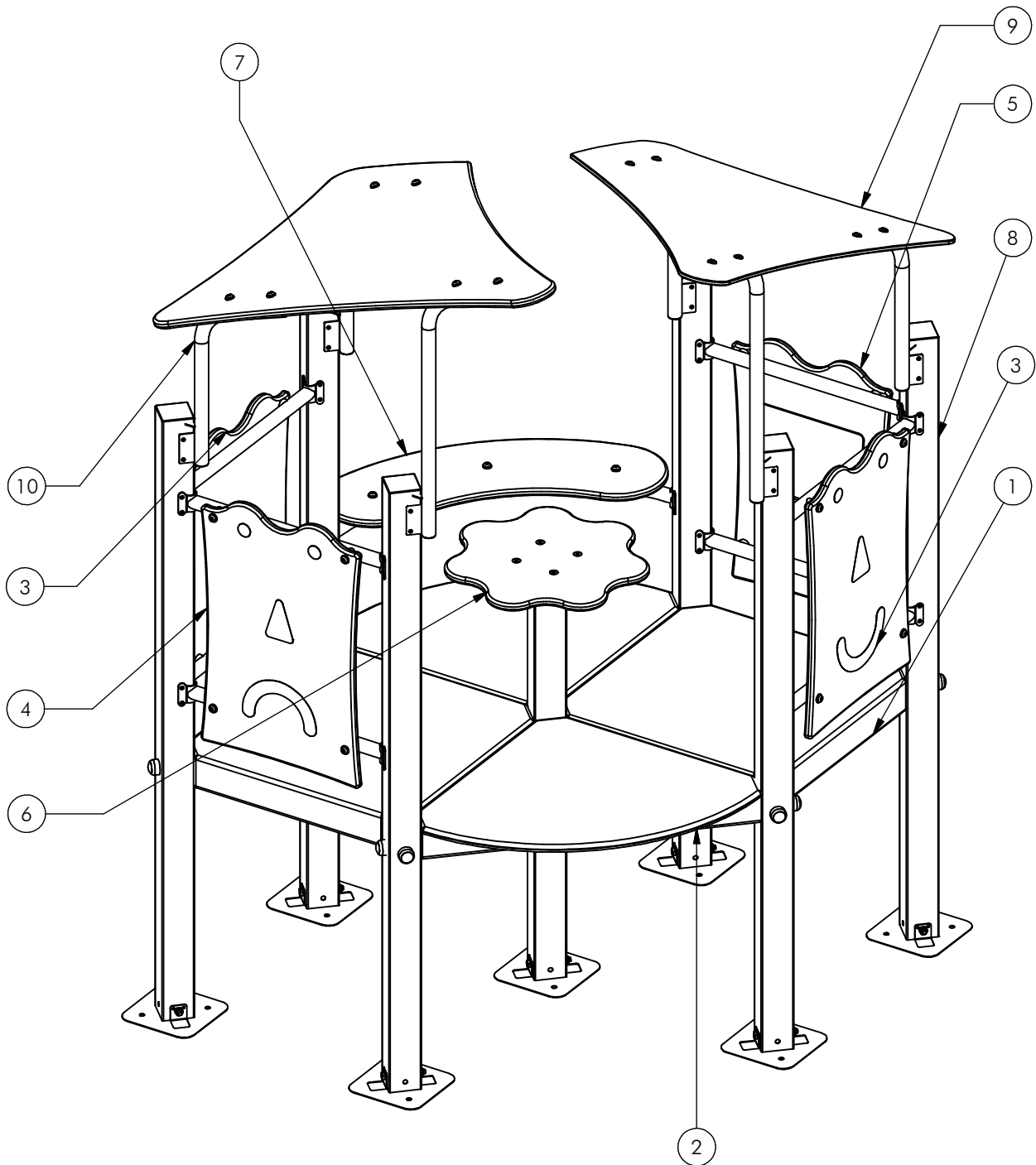


Benaming / Title: Ukkepek
 Opmerking / Comment: RVS
 Datum / Date: 7-4-2014

Tekening / Drawing

TOE UKP 043 01R A

Bodemplan Groundplan



Nr	#	Type	Progr.	Volgnr	Bew.	Rev.	Benaming	Opmerking
1	2	MOD	UKP	RVS	100		VLOER VIERKANT	UKKEPUK
2	2	MOD	UKP	RVS	102		VLOER KWARTTROND	UKKEPUK
3	2	MOD	UKP	RVS	111	A	WANDJE LACH	UKKEPUK
4	1	MOD	UKP	RVS	112	A	WANDJE HUIL	UKKEPUK
5	1	MOD	UKP	RVS	119	A	Raam	UKKEPUK
6	1	MOD	UKP	RVS	122	A	Tafel	Ukkepek RVS
7	1	MOD	UKP	RVS	137	A	ZITJE KWARTTROND	UKKEPUK
8	6	MOD	UKP	RVS	141		STAANDER VLOER 250MM	UKKEPUK
9	1	MOD	UKP	RVS	174	SB	Groot dak	Ukkepek
10	1	MOD	UKP	RVS	174	A	Puntdak	Ukkepek

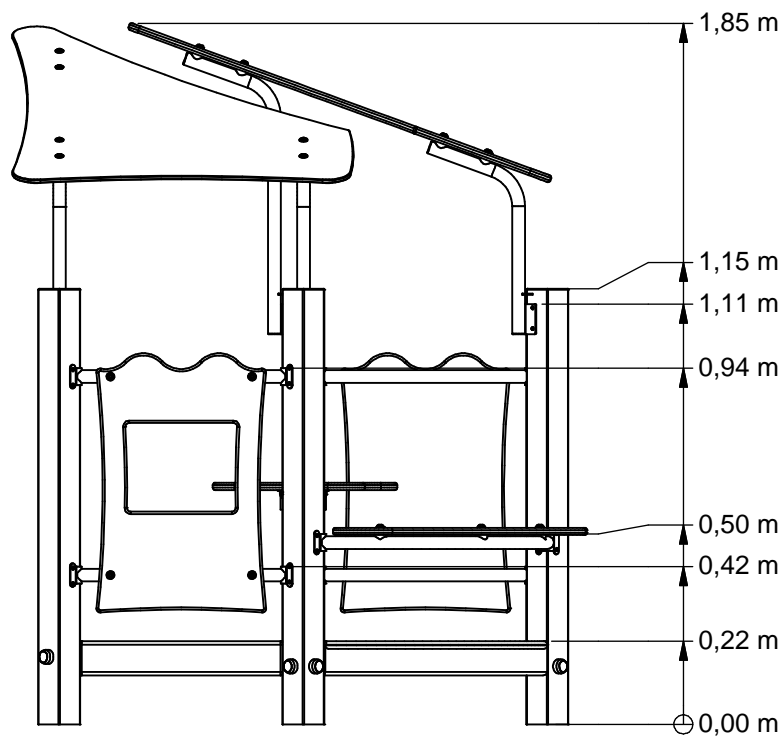


Benaming Title Ukkepek
 Opmerking Comment RVS
 Datum Date 7-4-2014

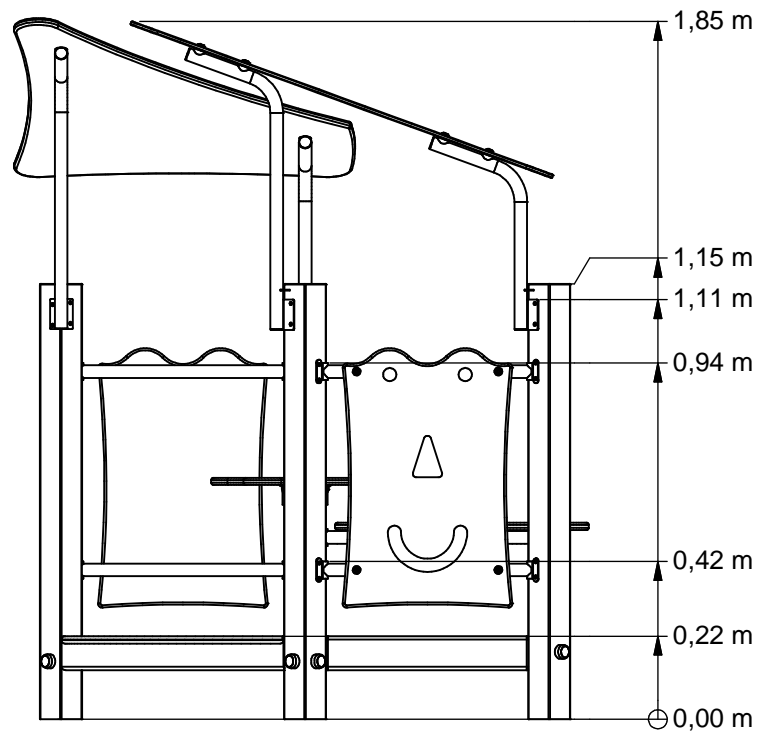
Tekening Drawing

TOE UKP 043 01R A

Modules Modules



Voor
(Front)



Links
(Left)

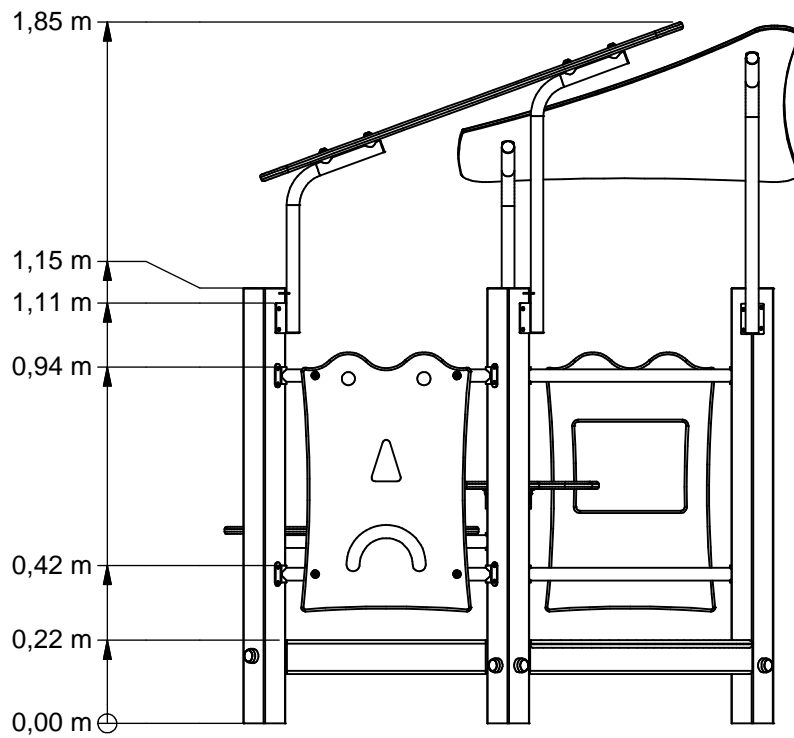


Benaming Title	Ukkepek
Opmerking Comment	RVS
Datum Date	7-4-2014

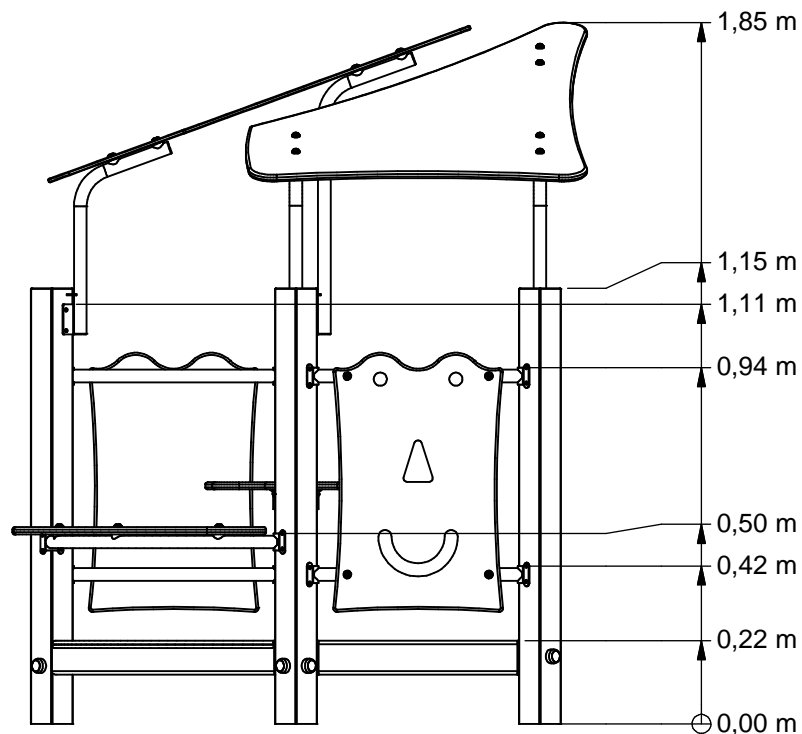
Tekening
Drawing

TOE UKP 043 01R A

Afmetingen Dimensions



Achter
(Back)



Rechts
(Right)

UKPE043.01R

Playhouse

LOGBOOK

(Onderstaand logboek kan gebruikt worden om te voldoen aan de eisen, gesteld in artikel 14 van het Warenwetbesluit Attractie- en Speeltoestellen)

Type indication	Toddler Play
Product code	UKPE043.01R
Name of equipment	Ukkepuk Speelvilla RVS
Maximum height of fall	0,6 m
Year of construction	2017
Certificate	09200116218
inspection authority	Liftinstituut B.V. Buikslotermeerplein 381, A'dam - 1025 XE Amsterdam
Name manufacturer	BOERplay Hyacintstraat 2 - 4255 HX Nieuwendijk Phone: +31 (0)183 40 23 66 Fax: +31 (0)183 40 35 64
name installer	_____ _____
Description of equipment	Playhouse
Location of equipment	_____
Data about the owner of the play equipment	
Name:	_____
Address:	_____
Postcode and town:	_____
Contact person:	_____
Telephone number:	_____
Data about the administrator of the play equipment	
Name:	_____
Address:	_____
Postcode and town:	_____
Contact person:	_____
Telephone number:	_____

LOGBOOK

Inspection and maintenance intervals



Nr.	Inspection	Maintenance	months between inspections
1	Verify equipment's stability, junctions and missing parts. Inspect bolts, screws and nuts for absence, jams, corrosion and wear.	Add missing parts, secure joints, apply missing fixing agent and replace corroded parts.	1
2	Check suspension for wear.	Replace worn parts and/or remove non-functioning parts.	1
3	Inspect rotating parts such as hinges, rolling-element bearings, etc. for wear and acceptability.	Replace worn parts and/or remove non-functioning parts.	1
4	Check wood for splinters, unacceptable damage and signs of rot. Especially at ground level.	Repair damage. Replace affected wood. Smoothen splintered wood and sharp edges.	1
5	Inspect foundation for stability, tearing and coverage.	Restore foundation and covering material.	3
6	Examine rubber and synthetic parts for wear, damage and break.	Replace original parts.	3
7	Inspect metal for corrosion and damage in the coating.	Restore any damaged coating (after removing rust and applying primer).	6
8	Check ropes, cables, chains and nets for wear and damage. Steel cables and nets which are tensioned must be checked for tension.	Replace parts where necessary. Steel cables and nets must be tensioned.	3
9	Inspect equipment for unsafe changes and additions.	Remove unsafe additions and correct unsafe changes.	1
10	Inspect safety surfaces.	Restore and repair where necessary.	1

Remarks

1. If used intensively, all points require extra attention.
2. Extreme weather conditions and locations may require a higher inspection frequency. Discuss this with the supplier.
3. Vandalism-sensitive locations require stricter inspections, possibly daily.
4. Check the terrain regularly for items that do not belong there, are unsafe or may be used wrongly. Examples are poisonous plants, glass shards, etc. Frequency depends on strain.
5. Remember that bad maintenance leads to unsafe conditions and notably faster impoverishment of the playground area.
6. Replacement parts can be ordered at the manufacturer with the part numbers on the module drawing. Drawings can be found in de user guide.
7. The impact area shall be provided with impact attenuating surface according to the specified falling height.
8. This list is conform the CEN-standard "playground equipment and surfacing NEN-EN 1176-7".

TYPE-EXAMINATION CERTIFICATE

Acting under the " Warenwetbesluit Attractie- en Speeltoestellen" issued by Liftinstituut B.V.
commissioned by departmental order, no. VGP/PSL 2857566 from 27 Juni 2008.

Certificate nr. : NL 09-2001-162-18 Revision nr.: 200116218

Description of the product : Playground equipment, Ukkepek

Trademark, type : Speelwijzer, UKP.....

Name and address of the manufacturer : Speelwijzer
Nijverheidsstraat 8
5317 NL Nederhemert Noord

Name and address of the certificate holder : Speelwijzer
Nijverheidsstraat 8
5317 NL Nederhemert Noord

Certificate issued on the basis of the following requirements : Warenwetbesluit Attractie- en Speeltoestellen

Test laboratory : None

Date and number of the laboratory report : None

Date of type-examination : 01-09-2001 t/m 03-09-2001, 21-02-2009

Annexes with this certificate : Report belonging to the type-examination certificate nr.: NL 09-2001-162-18

Additional remarks : This certificate supersedes type certificate dated April 27th 2005, with certificate number NL 09-2001-162-18

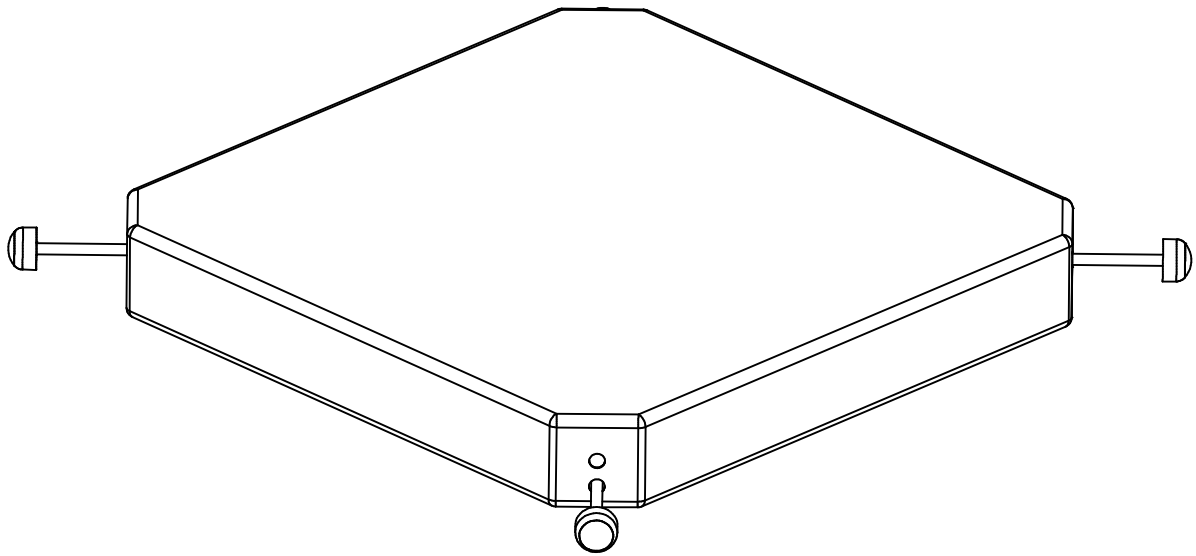
Conclusion : The playground equipment meets the requirements of the above specified European standard(s) and "Warenwetbesluit Attractie- en Speeltoestellen" taking into account any additional remarks mentioned above.

Issued in Amsterdam

Date of issue : April 7th, 2009



Ir. V.M.A. Barendregt
Senior Officer Certification &
Technology
Liftinstituut B.V.



1.7	1	SHO	UKP	100	COA	B	Vloer vierkant	UKP
1.6	4	KST	LAM	015	005		LAMELLENSTOP	ROND 15
1.5	4	KST	DOP	010	030		Bescherm dop M10-M12	Dop rood
1.4	4	KST	DON	010	030		Bescherm dop M10-M12	Donut Rood
1.3	8	BSR	030	010	002		SLUITRING	M10
1.2	4	BSR	021	010	130		ZESKANTBOUT	M10 x 130
1.1	4	BSR	010	010	010		BORGMOER	M10
1	1	SMD	UKP	RVS	100		VLOER VIERKANT	UKKEPUK
POS	N	TYPE	PROJ.	NR.	BEH.	R	BENAMING	OPMERKING



Benaming
Title VLOER VIERKANT

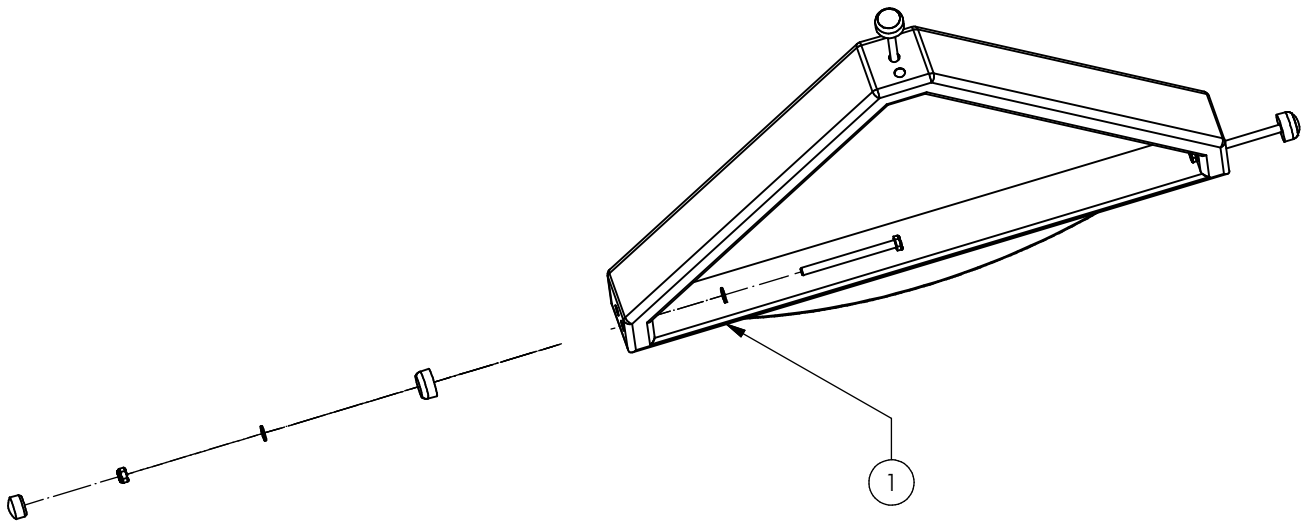
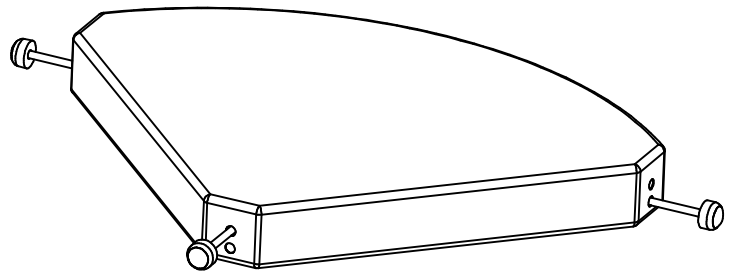
Opmerking
Comment UKKEPUK

Datum
Date 30-1-2007

Tekening
Drawing

MOD UKP RVS 100

Samenstelling module *Assembly module*



1	1	SMD	UKP	RVS	102		VLOER KWARTTROND	UKKEPUK
POS	N	TYPE	PROJ	NR.	BEH.	R	BENAMING	OPMERKING



Benaming
Title VLOER KWARTTROND

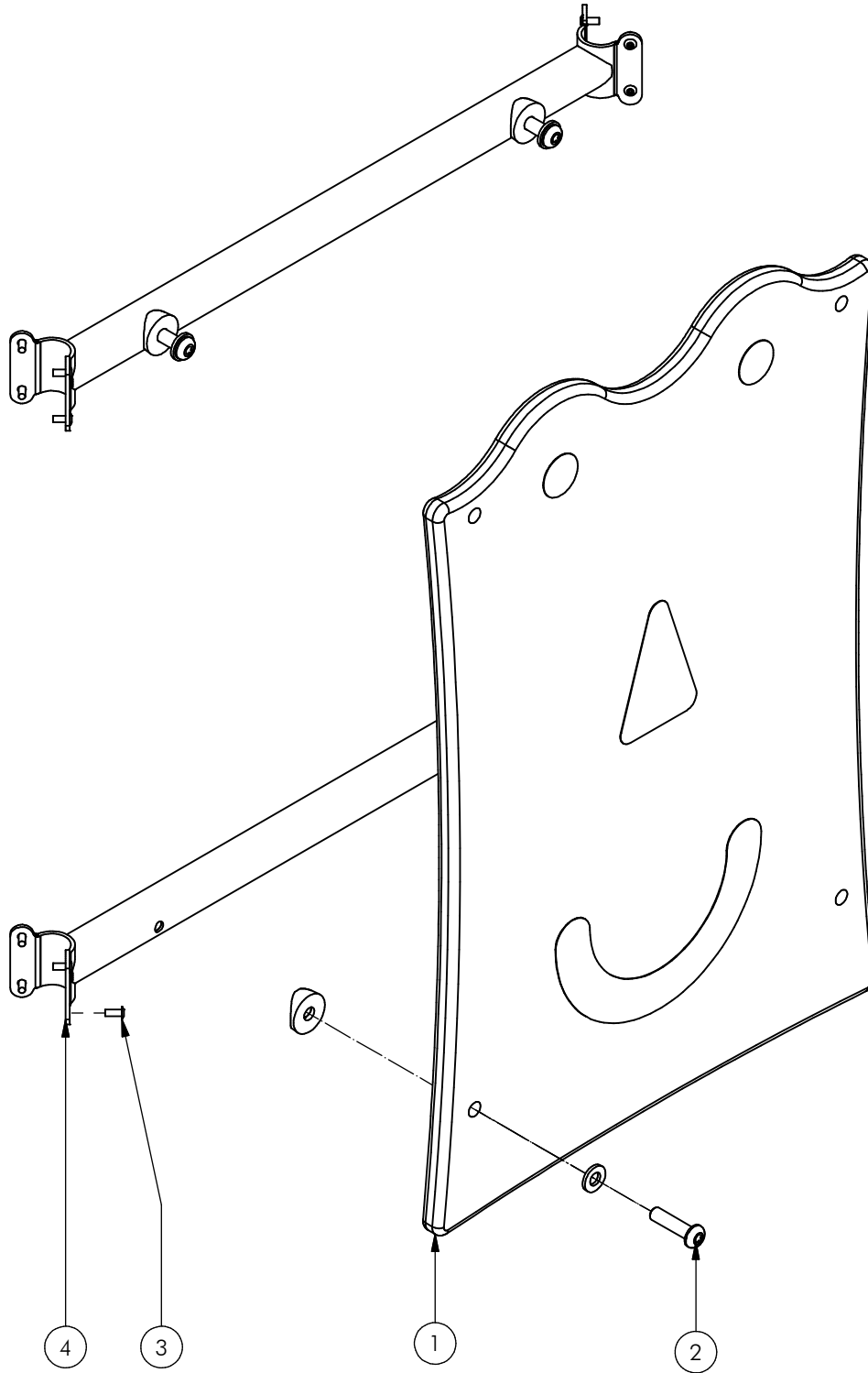
Opmerking
Comment UKKEPUK

Datum
Date 30-1-2007

Tekening
Drawing

MOD UKP RVS 102

Samenstelling module *Assembly module*



4	2	SME	UKP	501	320	A	SYSTEEMBUIS	UKKEPUK
3	4	SMD	UKP	RVS	105		BEVESTIGING VLINDER	UKKEPUK RVS
2	4	SMD	UKP	ALG	106	A	WAND BEVESTIGING	UKKEPUK
1	1	OPE	UKP	003	010	D	WAND LACH	UKKEPUK
POS	N	TYPE	PROJ.	NR.	BEH.	R	BENAMING	OPMERKING



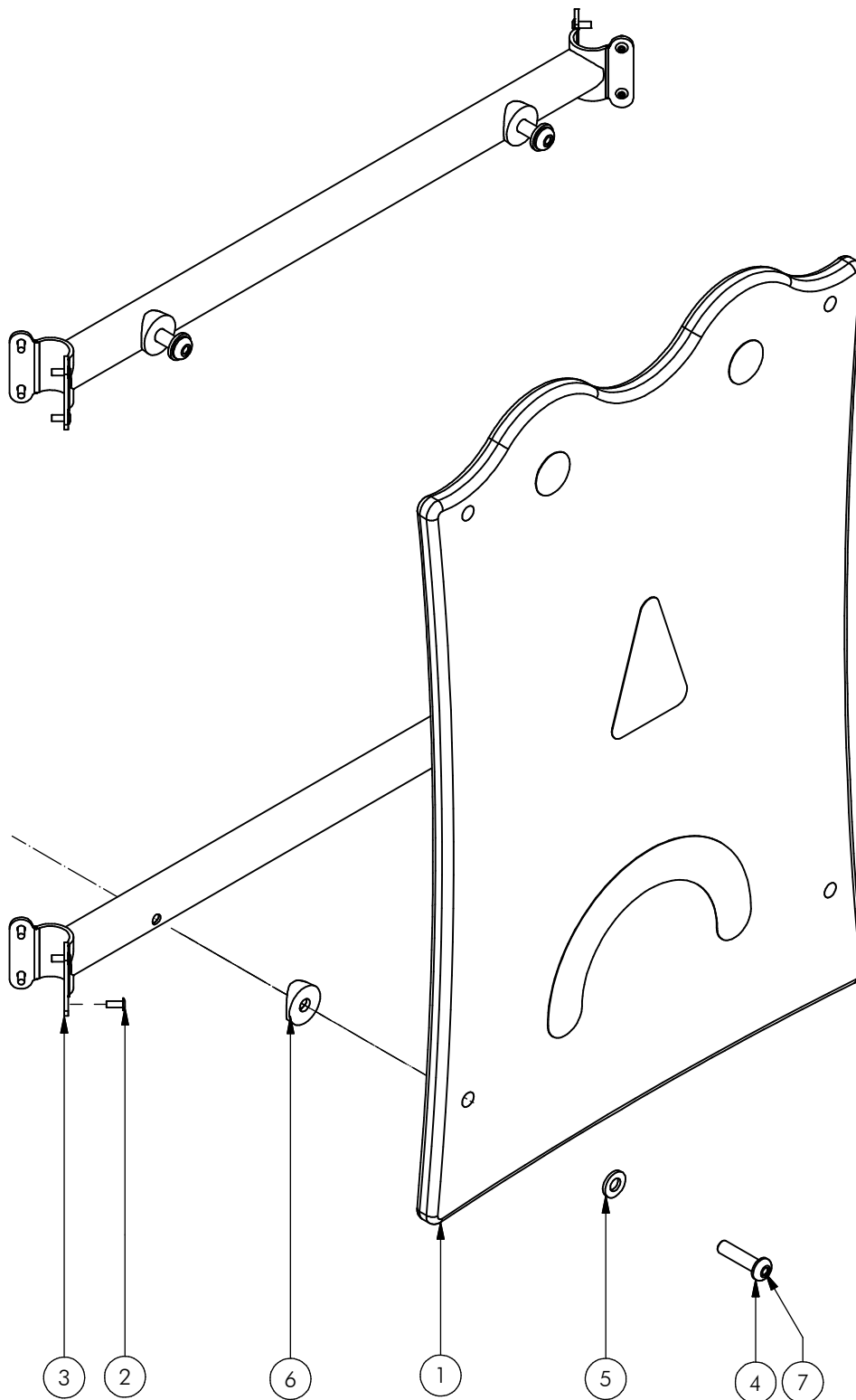
Benaming
Title WANDJE LACH

Opmerking
Comment UKKEPUK

Datum
Date 9-12-2013

Tekening
Drawing

MOD UKP RVS 111 A
 Samenstelling module *Assembly module*



7	4	KST	DOP	006	030	OPVULDOPJE	6 MM ROOD	
6	4	KST	T33	010	000	ZADELRING	BUIS 33.7	
5	4	KST	ROR	010	000	RING NYLON	M10 x 2.5 MM	
4	4	BSR	O23	010	040	Bolkopbout ISO 7380	M10 x 40 - RVS A2-70	
3	2	SME	UKP	501	320	A	SYSTEEMBUIS	UKKEPUK
2	4	SMD	UKP	RVS	105		BEVESTIGING VLINDER	UKKEPUK RVS
1	1	OPE	UKP	005	050	D	WAND HUIL	UKKEPUK
POS	N	TYPE	PROJ.	NR.	BEH.	R	BENAMING	OPMERKING



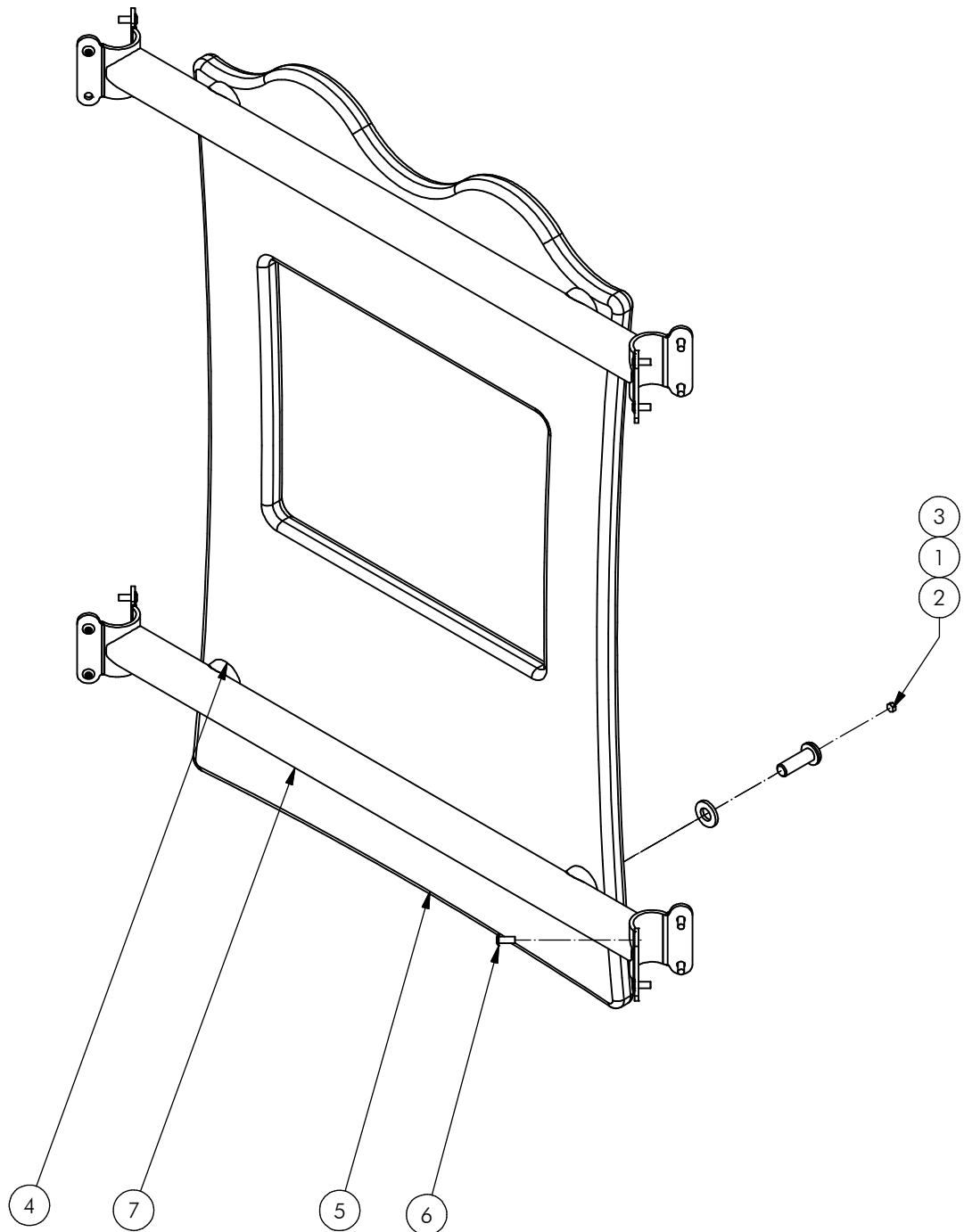
Benaming
Title
WANDJE HUIL

Opmerking
Comment
UKKEPUK

Datum
Date
9-12-2013

Tekening
Drawing

MOD UKP RVS 112 A
Samenstelling module *Assembly module*



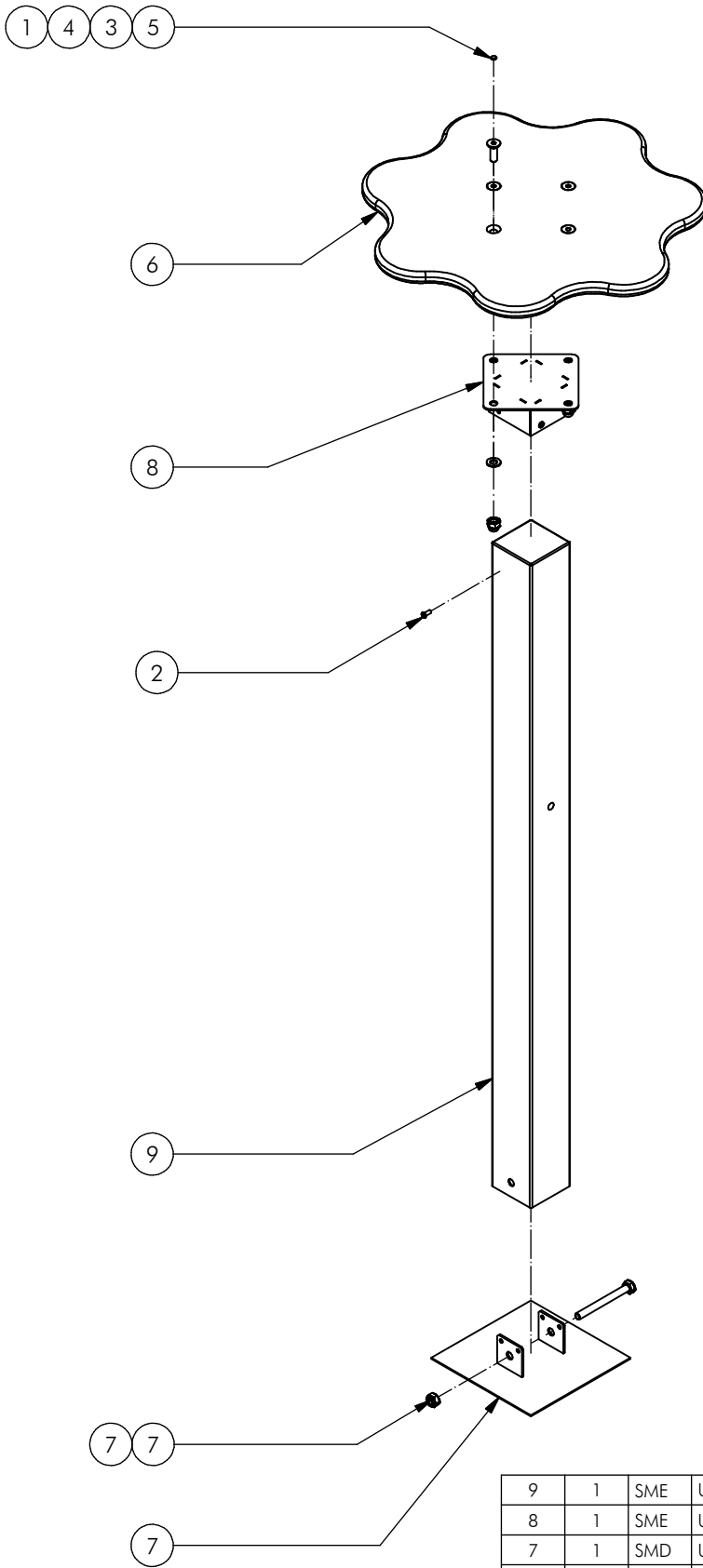
Nr	#	Type	Progr.	Volgnr	Bew.	Rev.	Benaming	Opmerking
1	4	BSR	023	010	030		Bolkopbout ISO 7380	M10 x 30 - RVS A2-70
2	4	KST	DOP	006	030		OPVULDOEJE	6 MM ROOD
3	4	KST	ROR	010	000		RING NYLON	M10 x 2.5 MM
4	4	KST	T33	010	000		ZADELRING	BUIS 33.7
5	1	OPE	UKP	024	050	F	Wand Xylofoon	Ukkepek
6	4	SMD	UKP	RVS	105		BEVESTIGING VLINDER	UKKEPUK RVS
7	2	SME	UKP	501	320	A	SYSTEEMBUIS	UKKEPUK



Benaming Title Raam
 Opmerking Comment UKKEPUK
 Datum Date 6-12-2013

Tekening Drawing

MOD UKP RVS 119 A
 Samenstelling module Assembly module



9	1	SME	UKP	584	320		Staander RVS	Tafeltje
8	1	SME	UKP	583	320	A	Steun tafel	Ukkepuk
7	1	SMD	UKP	RVS	103		ANKER PLAAT	UKKEPUK
6	1	OPE	UKP	041	050	A	Tafelblad	Ukkepuk
5	4	KST	DOP	006	030		OPVULDOEPIE	6 MM ROOD
4	4	BSR	030	010	002		SLUITRING	M10
3	4	BSR	024	010	030		Verzonken bout	M10 x 30 - RVS A2-70
2	4	BSR	014	005	050		Klinknagel bolkop	4,8 x 12 - RVS A2-70
1	4	BSR	011	010	020		DOPMOER	BORG RVS M10
POS	N	TYPE	PROJ.	NR.	BEH.	R	BENAMING	OPMERKING



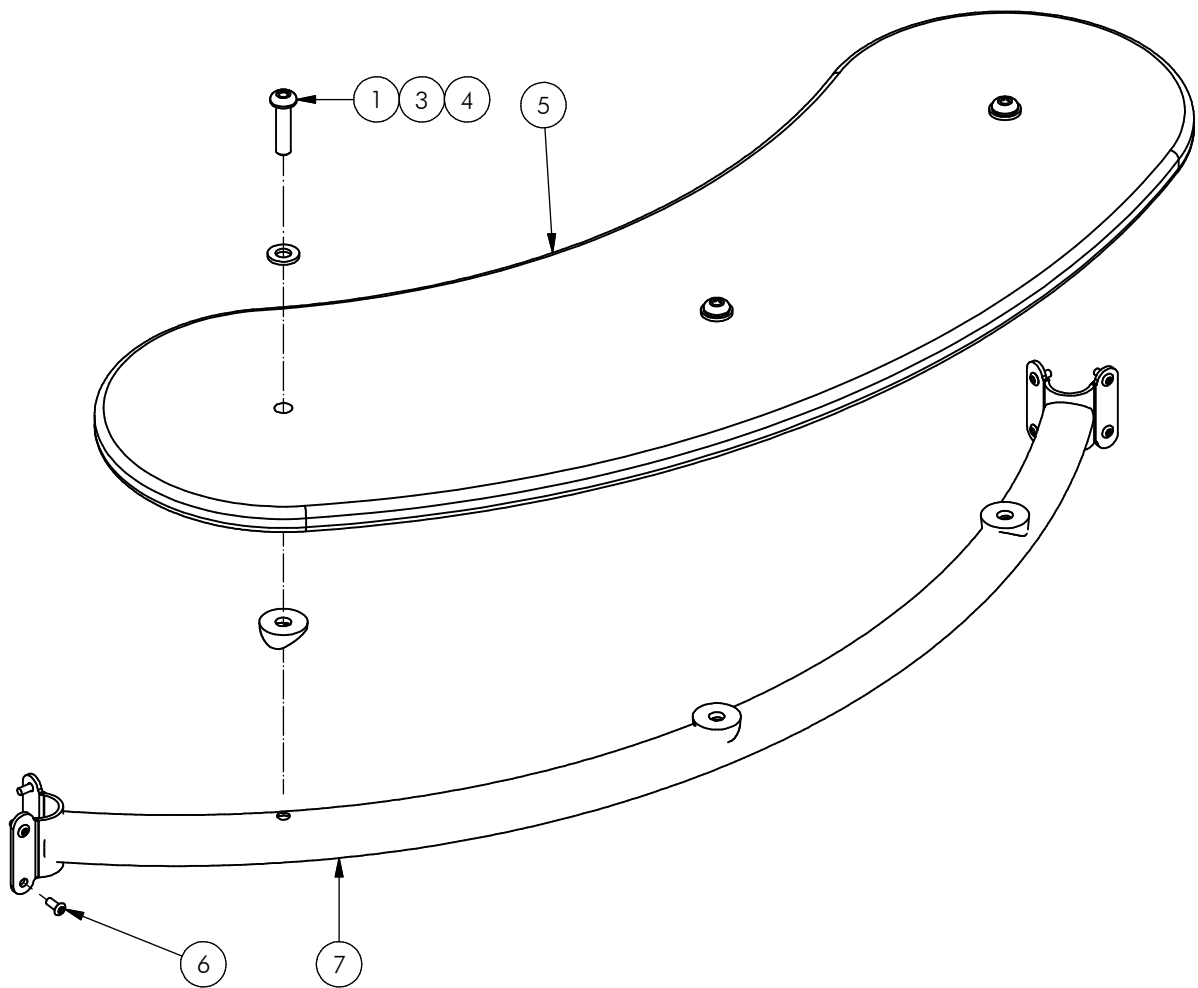
Benaming
Title Tafel

Opmerking
Comment Ukkepuk RVS

Datum
Date 6-12-2013

Tekening
Drawing

MOD UKP RVS 122 A
 Samenstelling module Assembly module



7	1	SME	UKP	541	320		BUIS ZITJE KWARTTROND	UKKEPUK
6	2	SMD	UKP	RVS	105		BEVESTIGING VLINDER	UKKEPUK RVS
5	1	OPE	UKP	014	010	B	ZITJE KWARTTROND	UKKEPUK
4	3	KST	T33	010	000		ZADELRING	BUIS 33.7
3	3	KST	ROR	010	000		RING NYLON	M10 x 2.5 MM
2	3	KST	DOP	006	030		OPVULDOPJE	6 MM ROOD
1	3	BSR	023	010	040		Bolkopbout ISO 7380	M10 x 40 - RVS A2-70
POS	N	TYPE	PROJ.	NR.	BEH.	R	BENAMING	OPMERKING



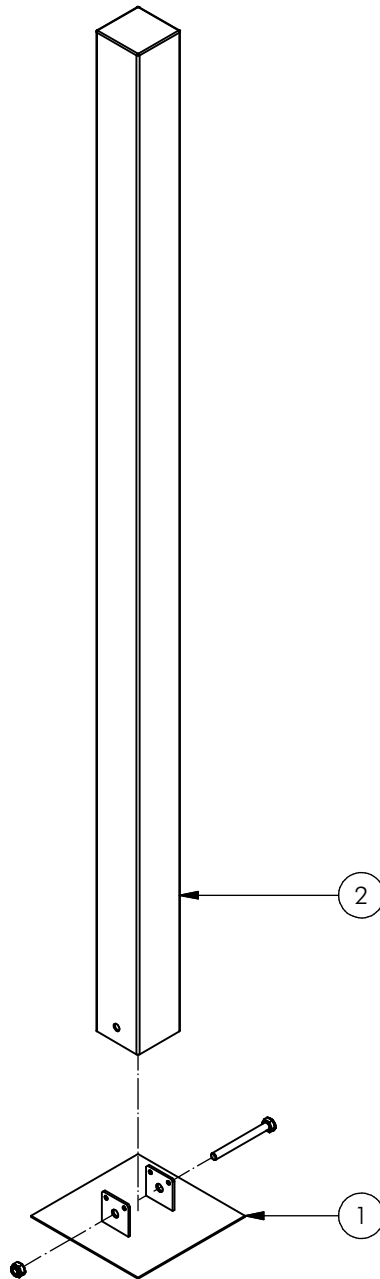
Benaming
Title ZITJE KWARTTROND

Opmerking
Comment UKKEPUK

Datum
Date 14-3-2014

Tekening
Drawing

MOD UKP RVS 137 A
 Samenstelling module Assembly module



2	1	SME	080	010	320	Stander RVS	80x80, lengte=1820	
1	1	SMD	UKP	RVS	103	ANKER PLAAT	UKKEPUK	
POS	N	TYPE	PROJ.	NR.	BEH.	R	BENAMING	OPMERKING



Benaming
Title STAANDER VLOER 250MM

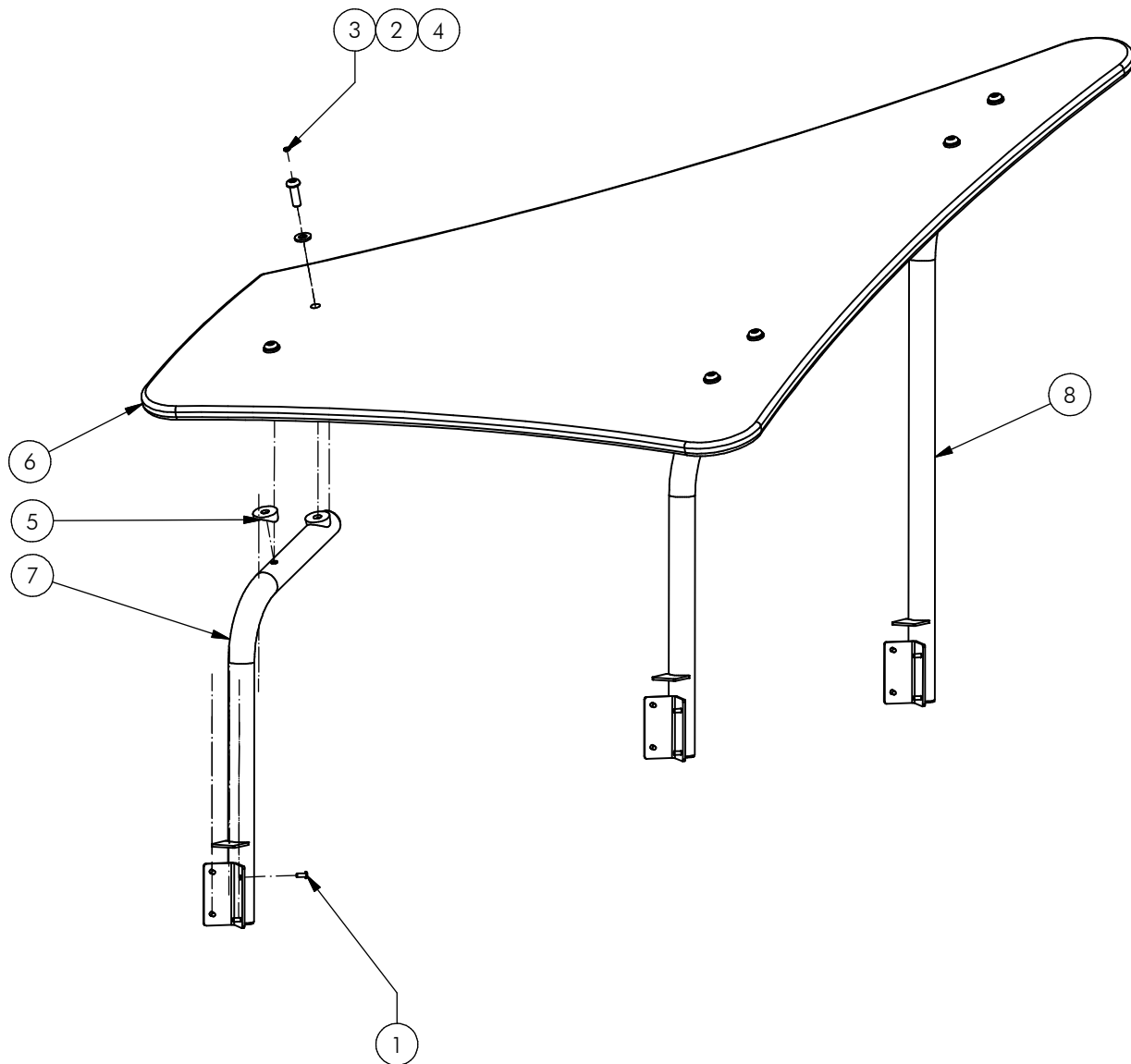
Opmerking
Comment UKKEPUK

Datum
Date 30-1-2007

Tekening
Drawing

MOD UKP RVS 141

Samenstelling module *Assembly module*



8	1	SME	UKP	582	320		Hoge daksteun	Groot dak
7	2	SME	UKP	581	320		Lage daksteun	Groot dak
6	1	OPE	UKP	040	060	A	Dakplaat groot	Ukkepek
5	6	KST	T33	010	000		ZADELRING	BUIS 33.7
4	6	KST	ROR	010	000		RING NYLON	M10 x 2.5 MM
3	6	KST	DOP	006	030		OPVULDOPJE	6 MM ROOD
2	6	BSR	O23	010	030		Bolkopbout ISO 7380	M10 x 30 - RVS A2-70
1	12	BSR	O14	005	050		Klinknagel bolkop	4,8 x 12 - RVS A2-70
POS	N	TYPE	PROJ	NR.	BEH.	R	BENAMING	OPMERKING



Benaming
Title Puntdak

Opmerking
Comment Ukkepek

Datum
Date 6-12-2013

Tekening
Drawing

MOD UKP RVS 174 A
 Samenstelling module Assembly module