



Nature Play

VRBE006.003

Double swing anti-wrap



VRBE006.003

Double swing anti-wrap



1-2



4 - 12



3.7 x 2.2 x 2.6 m



6.8 x 3.0 m



7.8 x 4.7 m



1.4 m

Playfunctions

Swinging

Material

All metal parts are made of stainless steel 304. Floors, walls, climbing walls have a 'wooden' base and are covered with a durable plastic coating. Wall and roof panels are an outdoor quality colored HPL laminate. Connections consist of stainless steel and, where necessary, covered with a plastic cap. The ropes are made of 16 mm vandal proof Hercules rope.

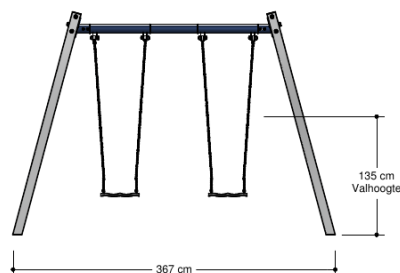
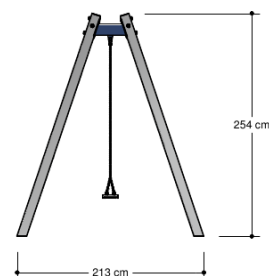
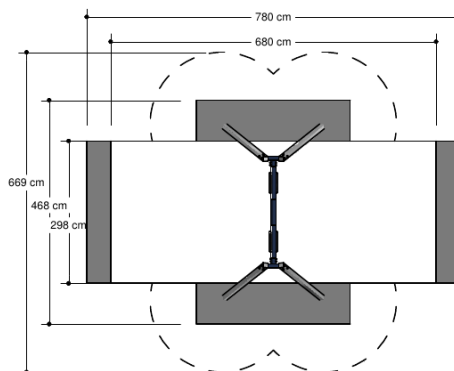
Anchorage

The posts go to a depth of 60 cm in the ground with at the bottom a steel plate to increase the support. Concrete is not required.

Comments

If the soil does not contribute to the stability it may be necessary to add concrete.

It is possible to deliver the trespas, nets and powder coating work in other colors. Herefor we will add an additional charge.



Opvangzone

Impact area

WAS, Dutch law

EN1176

Obstakelvrije zone

Obstacle free zone

WAS, Dutch law

EN1176

