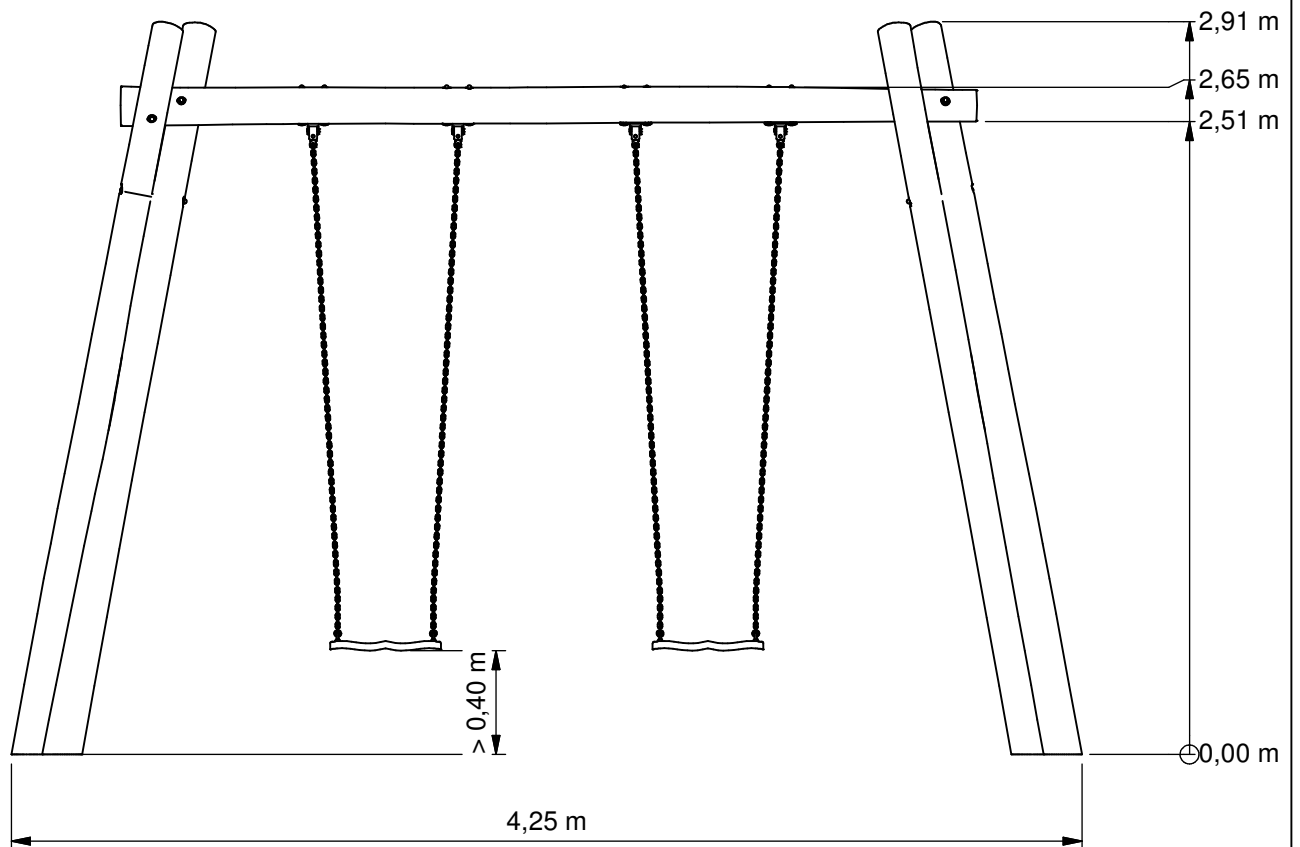
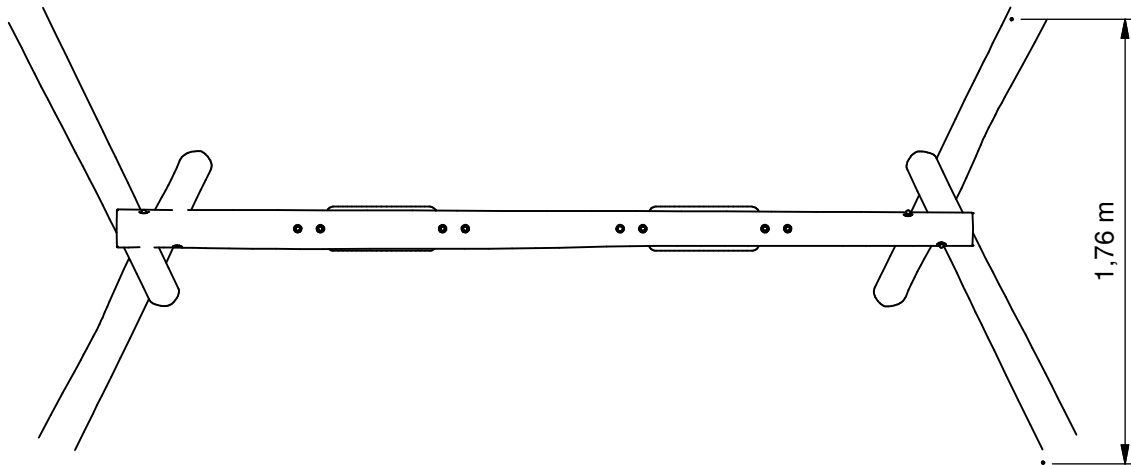


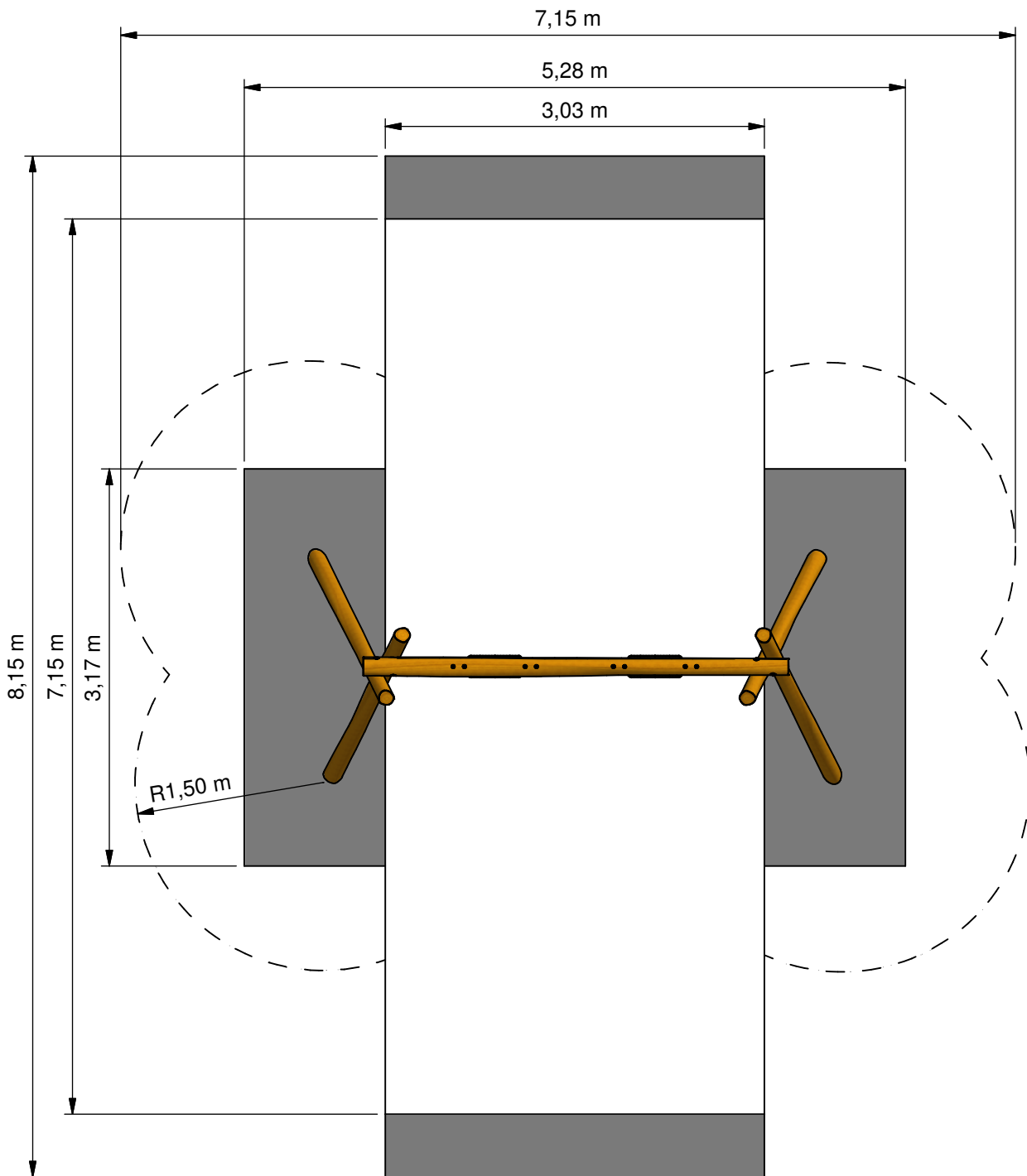


Duo swing



PSTE000.010





- Obstakelvrij EN-1176**
Obstacle free EN-1176
- Opvangzone**
Impact area
- Obstakelvrij WAS**
Obstacle free WAS



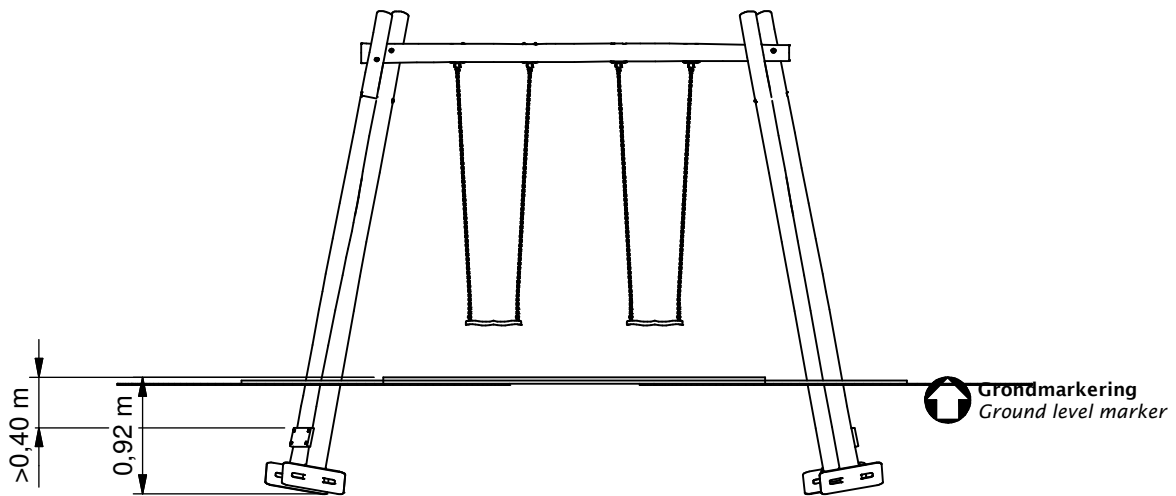
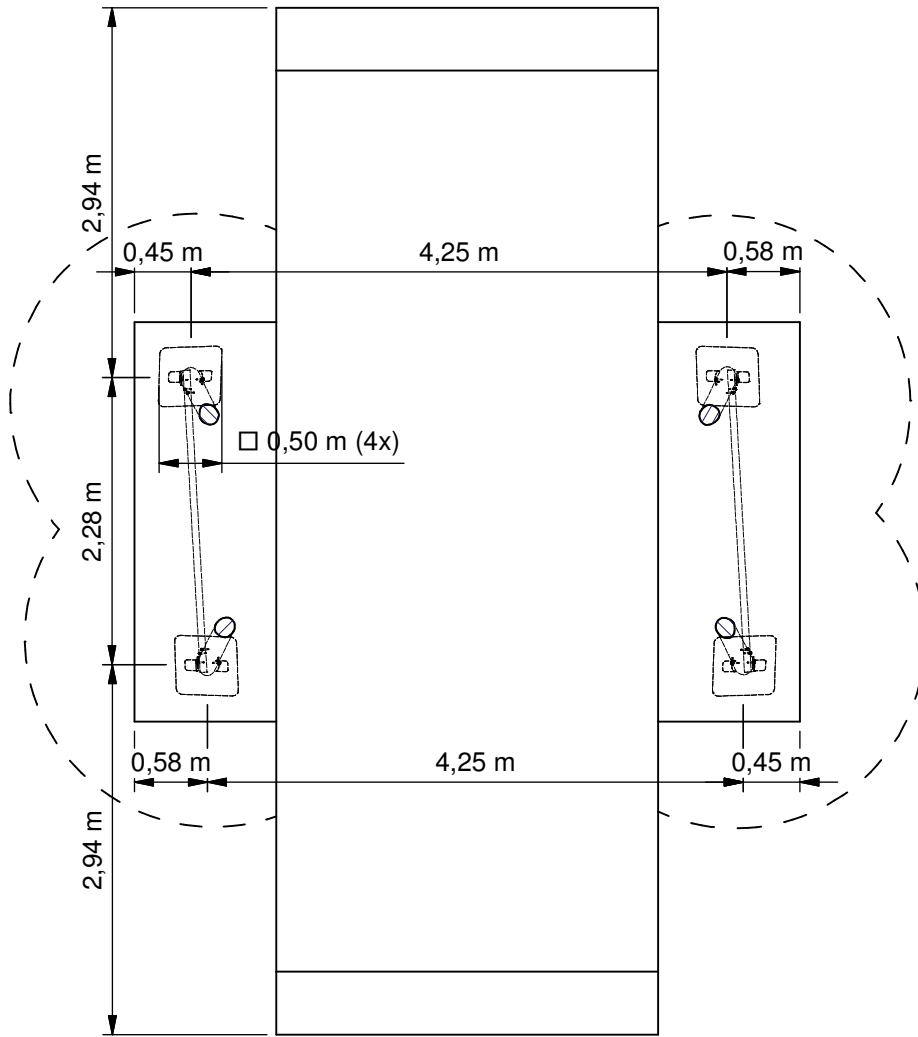
Benaming
Title Schommel

Opmerking
Comment 2 zitjes

Datum
Date 16-5-2014

Tekening
Drawing

TOE PST 000 010 B
Obstakelvrije zone *Obstacle free zone*

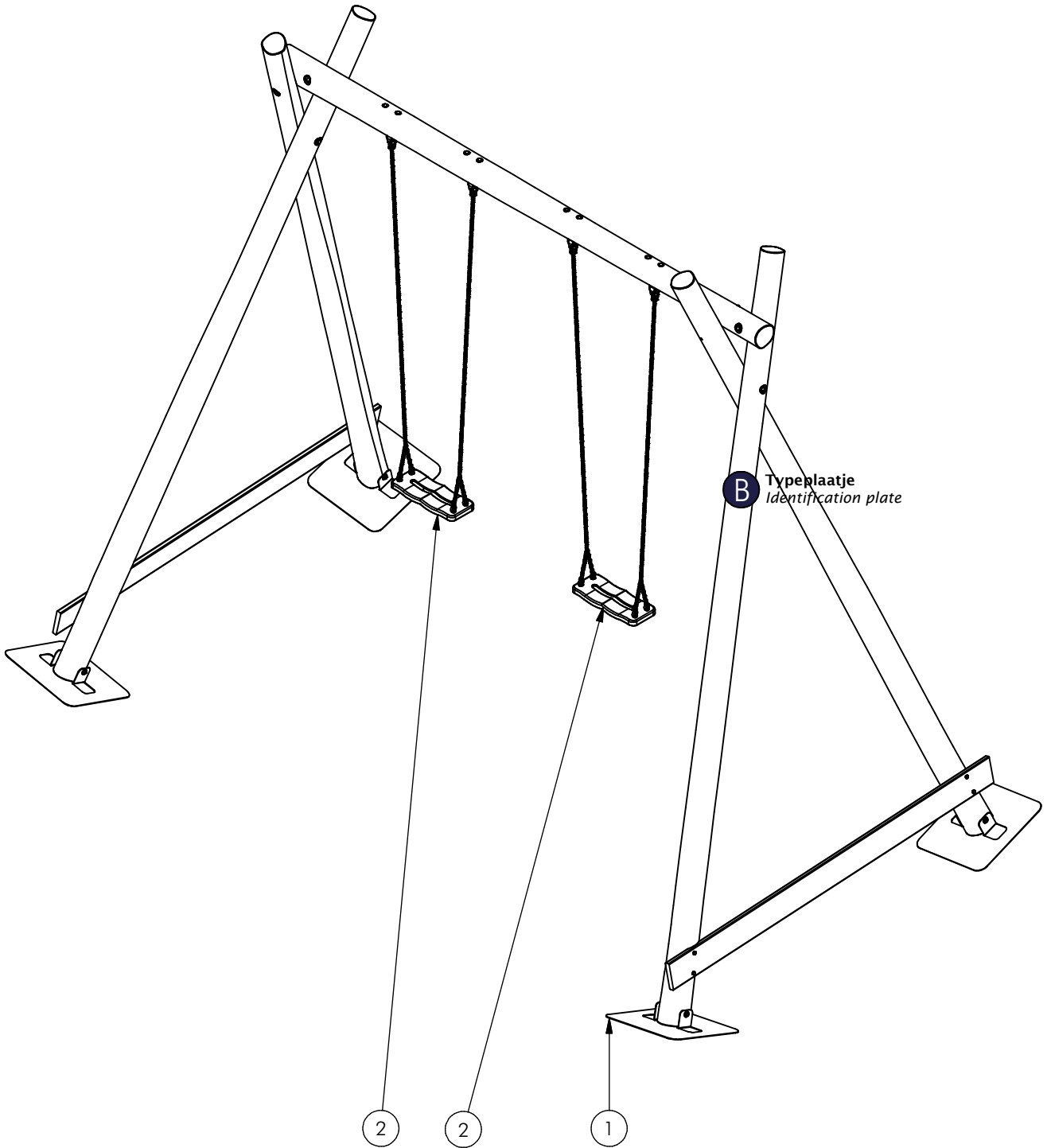


Benaming
Title Schommel
Opmerking
Comment 2 zitjes
Datum
Date 16-5-2014

Tekening
Drawing

TOE PST 000 010 B

Bodemplan Groundplan



Nr	#	Type	Progr.	Volgnr	Bew.	Rev.	Benaming	Opmerking
1	1	MOD	PST	001	001	C	Basis frame	D 140-160
2	2	MOD	PST	003	002		Schommelzitje	Ketting 2,0 m



Benaming
Title Schommel

Opmerking
Comment 2 zitjes

Datum
Date 16-5-2014

Tekening
Drawing

TOE PST 000 010 B

Modules Modules

Geleverde delen:

- A - bovenbalk met zittingen
- B - driehoekframe (2x)

Bevestiging sets:

- 1 - M12 draadeind met moeren

Montagevolgorde:

- 1 - graaf de gaten volgens het bodemplan en plaats hierin de frames B
- 2 - plaats A op de frames en bevestig met 1
- 3 - controleer of het toestel voldoet aan de afmetingen zoals op blad 'afmetingen'
- 4 - dicht de gaten en verdicht het zand

Controles:

- 1 - correcte opbouw en alle bevestigingsmiddelen
- 2 - de vrije hoogte onder de zittingen (>40 cm)
- 3 - controleer de afmetingen van de valbodem t.o.v. het toestel

Supplied parts:

- A - upper beam with seats
- B - triangle frame (2x)

Mounting kits:

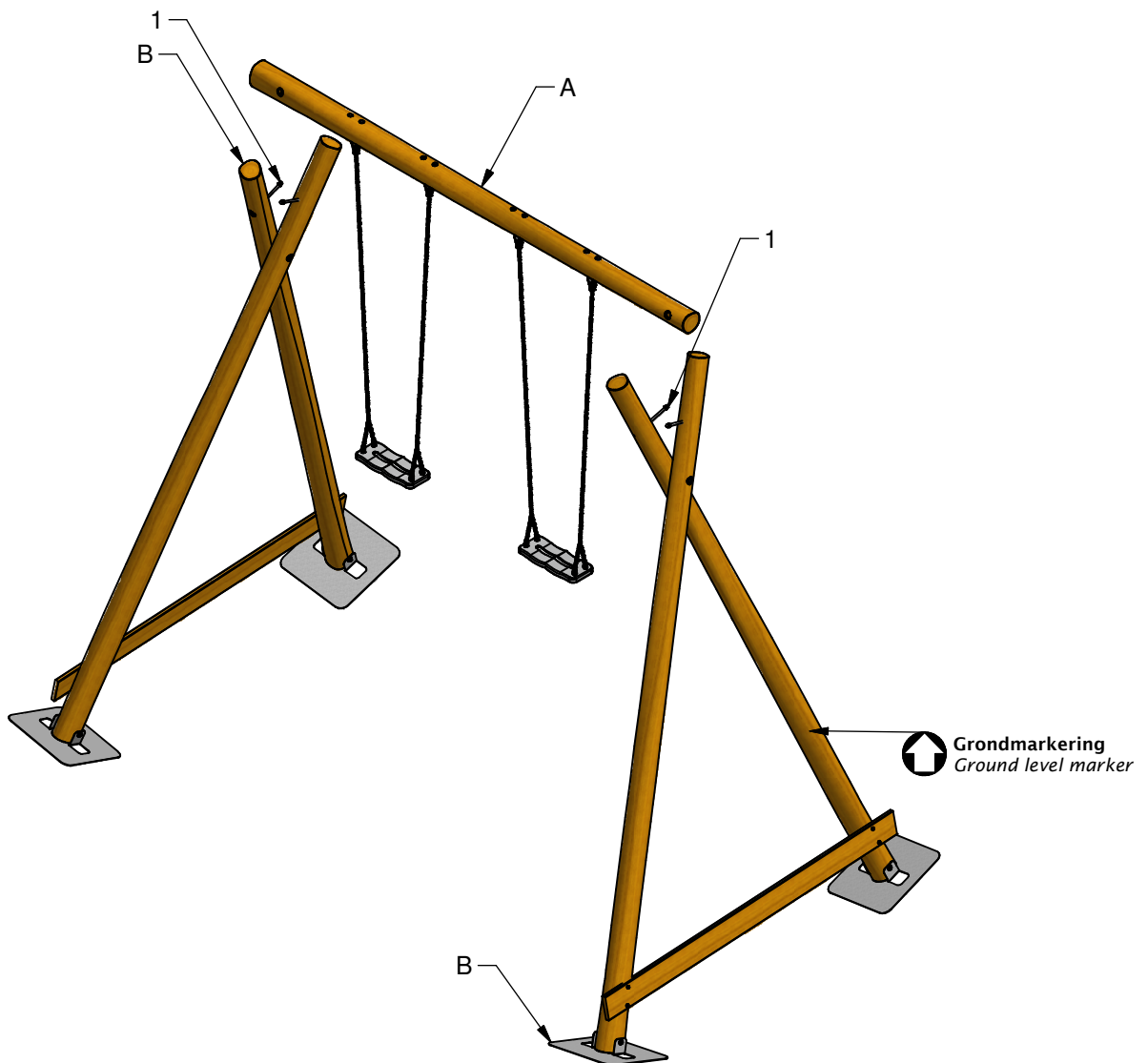
- 1 - M12 threaded rod with nuts

Assembly sequence:

- 1 - dig the holes according to the ground plan and place the frames B
- 2 - place A on the frames and fix with 1
- 3 - check that the equipment conforms to the dimensions shown on sheet 'dimensions'
- 4 - close the holes and compact the sand

Checks:

- 1 - correct assembly and all the fasteners
- 2 - the free height underneath the seats (>40 cm)
- 3 - check the dimensions of the safety area compared to the play equipment



PSTE000.010

Duo swing

LOGBOOK

(Onderstaand logboek kan gebruikt worden om te voldoen aan de eisen, gesteld in artikel 14 van het Warenwetbesluit Attractie- en Speeltoestellen)

Type indication	Adventure Play
Product code	PSTE000.010
Name of equipment	Dubbele Schommel 2.5m
Maximum height of fall	1,5 m
Year of construction	2017
Certificate	025864
inspection authority	TUV Nederland QA BV De Waal 21c, Best - 5684 PH Best
Name manufacturer	BOERplay Hyacintstraat 2 - 4255 HX Nieuwendijk Phone: +31 (0)183 40 23 66 Fax: +31 (0)183 40 35 64
name installer	_____ _____
Description of equipment	Duo swing
Location of equipment	_____
Data about the owner of the play equipment	
Name:	_____
Address:	_____
Postcode and town:	_____
Contact person:	_____
Telephone number:	_____
Data about the administrator of the play equipment	
Name:	_____
Address:	_____
Postcode and town:	_____
Contact person:	_____
Telephone number:	_____

LOGBOOK

Inspection and maintenance intervals



Nr.	Inspection	Maintenance	months between inspections
1	Verify equipment's stability, junctions and missing parts. Inspect bolts, screws and nuts for absence, jams, corrosion and wear.	Add missing parts, secure joints, apply missing fixing agent and replace corroded parts.	1
2	Check suspension for wear.	Replace worn parts and/or remove non-functioning parts.	1
3	Inspect rotating parts such as hinges, rolling-element bearings, etc. for wear and acceptability.	Replace worn parts and/or remove non-functioning parts.	1
4	Check wood for splinters, unacceptable damage and signs of rot. Especially at ground level.	Repair damage. Replace affected wood. Smoothen splintered wood and sharp edges.	1
5	Inspect foundation for stability, tearing and coverage.	Restore foundation and covering material.	3
6	Examine rubber and synthetic parts for wear, damage and break.	Replace original parts.	3
7	Inspect metal for corrosion and damage in the coating.	Restore any damaged coating (after removing rust and applying primer).	6
8	Check ropes, cables, chains and nets for wear and damage. Steel cables and nets which are tensioned must be checked for tension.	Replace parts where necessary. Steel cables and nets must be tensioned.	3
9	Inspect equipment for unsafe changes and additions.	Remove unsafe additions and correct unsafe changes.	1
10	Inspect safety surfaces.	Restore and repair where necessary.	1

Remarks

1. If used intensively, all points require extra attention.
2. Extreme weather conditions and locations may require a higher inspection frequency. Discuss this with the supplier.
3. Vandalism-sensitive locations require stricter inspections, possibly daily.
4. Check the terrain regularly for items that do not belong there, are unsafe or may be used wrongly. Examples are poisonous plants, glass shards, etc. Frequency depends on strain.
5. Remember that bad maintenance leads to unsafe conditions and notably faster impoverishment of the playground area.
6. Replacement parts can be ordered at the manufacturer with the part numbers on the module drawing. Drawings can be found in de user guide.
7. The impact area shall be provided with impact attenuating surface according to the specified falling height.
8. This list is conform the CEN-standard "playground equipment and surfacing NEN-EN 1176-7".

Warenwet

Certificaat van Typeonderzoek Type Examination Certificate

afgegeven door issued by

TÜV Nederland QA BV



aangewezen bij ministeriële beschikking van
4 mei 2012, nr. VGP 3113590

commissioned by departmental order
of 4 May 2012, no. VGP 3113590

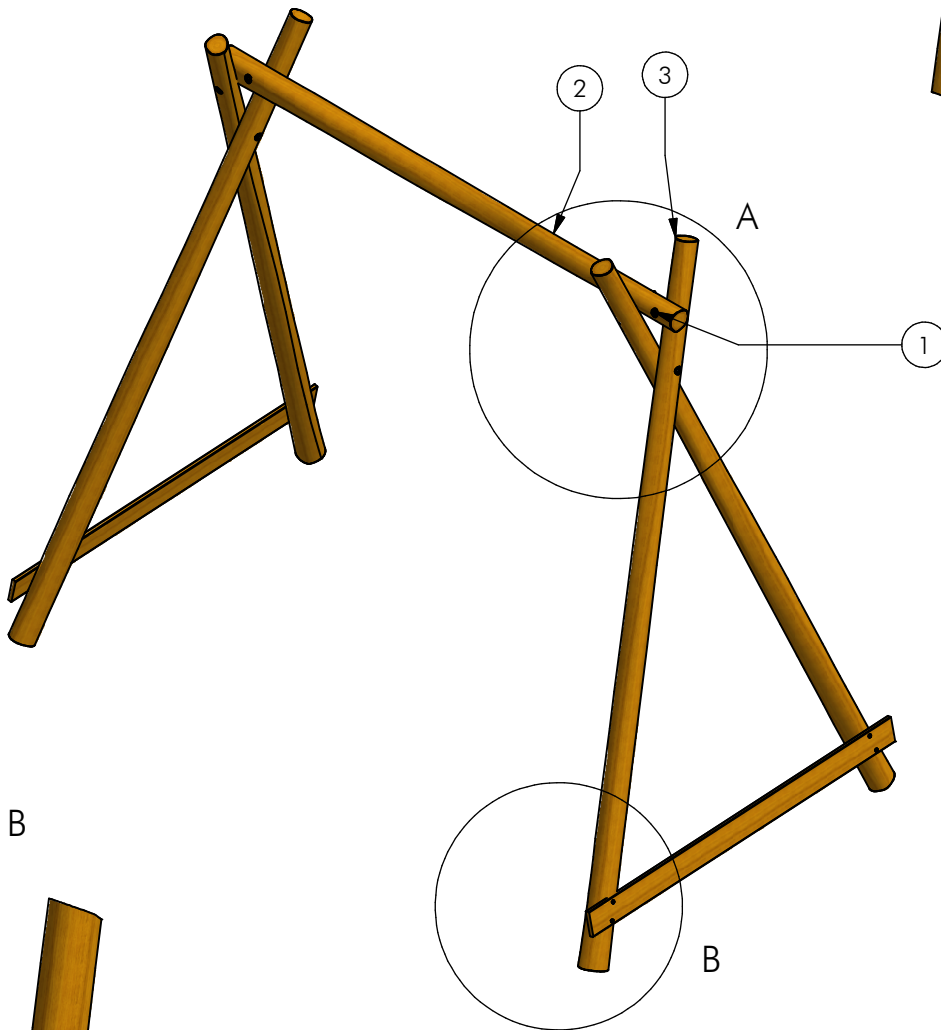
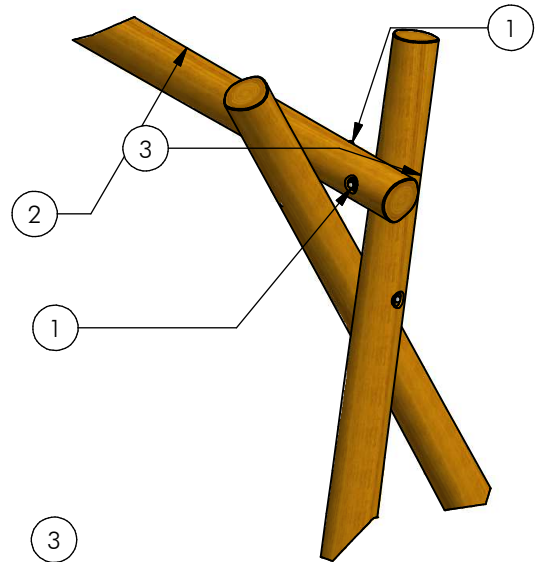
Certificaat nr. Certificate nr.	025864TB_20121129	Dossiernr. File nr.	025864TB
Productomschrijving Product description	Dubbele schommel		
Evt. nadere aanduidingen Further indications	Valhoogte 1,5 meter		
voor nadere informatie zie bijbehorend rapport met gelijkloidend dossiernr. for further information see associated report with identical file nr.			
Eigenaar / certificaathouder en adres Owner/certificate holder and address	Boer Speeltoestellen B.V. Hyacintstraat 2 4255 HX NIEUWENDIJK		
Soort toestel Category of equipment	Speeltoestel		
Fabrikant Manufacturer	Boer Speeltoestellen B.V. Hyacintstraat 2 4255 HX NIEUWENDIJK		
Type/Serienummer Type/Serial number	PST.000.010 /	in te vullen door de fabrikant to be filled out by the manufacturer	
Jaar van fabricage Year of construction	vanaf since 2012		
Leverancier Supplier	Boer Speeltoestellen B.V. Postbus 10 4255 ZG NIEUWENDIJK		
Jaar van leverantie Year of supply	in te vullen door de leverancier to be filled out by the supplier		
Datum keuring Date of examination	21-06-2012 – 29-11-2012		

TÜV Nederland QA BV, de Waal 21C, NL-5684 PH Best verklaart, dat het bovenaangehaalde toestel voldoet aan de vervaardigingvoorschriften genoemd in het Warenwetbesluit attractie- en speeltoestellen (met als leidraad de normatieve documenten NEN-EN 1176:2008).

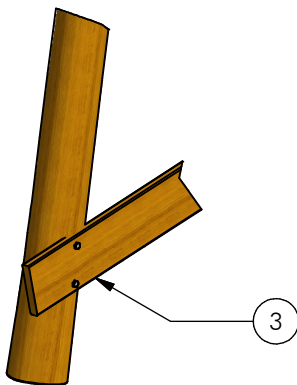
TÜV Nederland QA BV declares that the here above mentioned equipment meets the safety and health requirements mentioned in the Dutch law "Warenwetbesluit attractie- en speeltoestellen" (guided by normative documents EN 1176:2008).

Namens het bestuur, For the board, A.C. Boon Directeur	
---	--

A



B



Nr	#	Type	Progr.	Volgnr	Bew.	Rev.	Benaming	Opmerking
1	4	BMR	SET	M12	240		Slotbout+dopm.+ringen	M12, L= 240, RVS A2-70
2	1	OHO	PST	160	034		Paal 14-16	Lengte =3400
3	2	SHO	PST	100	001	B	A-Frame 1	Schommels



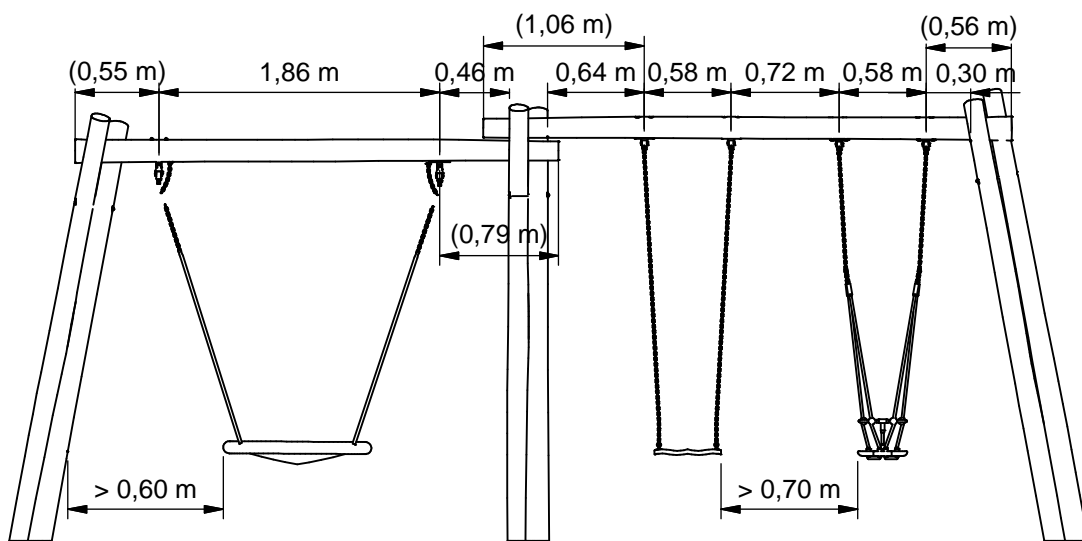
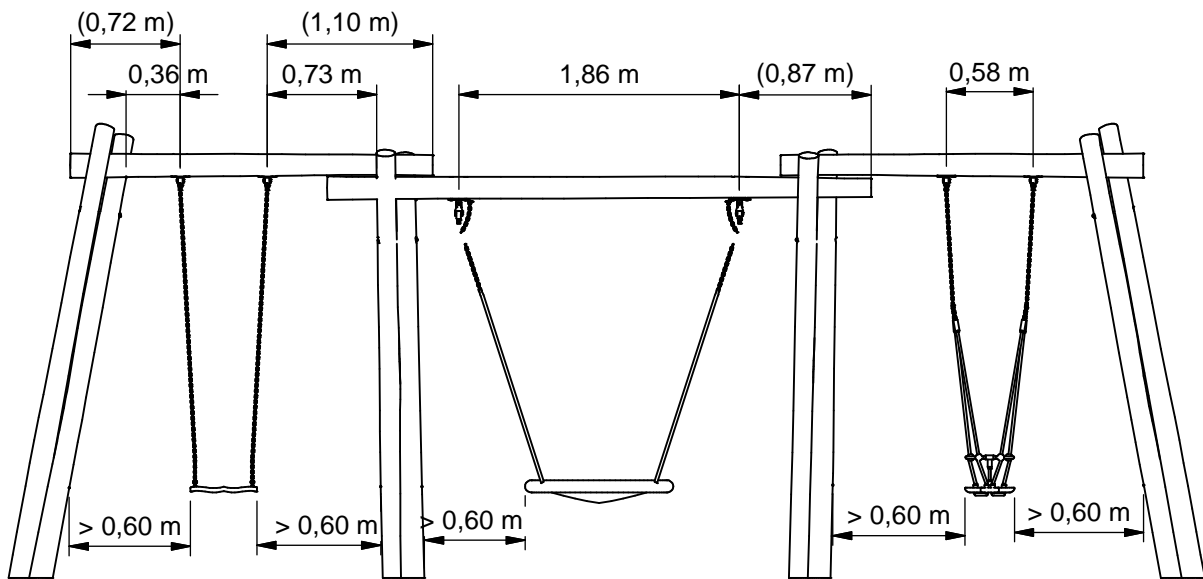
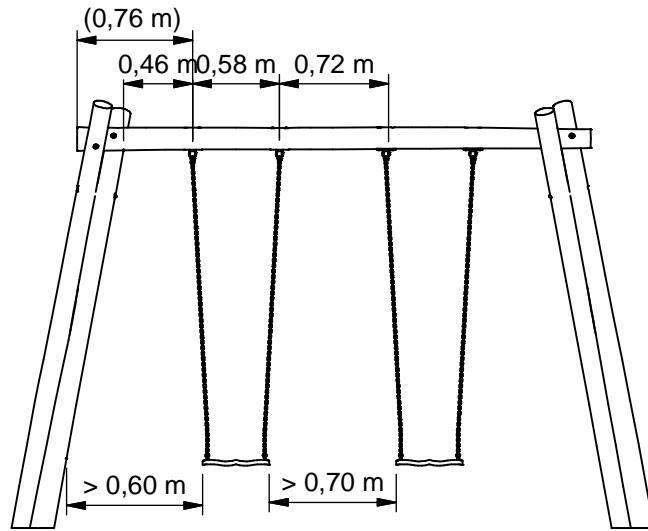
Benaming
Title Basis frame

Opmerking
Comment D 140-160

Datum
Date 16-5-2014

Tekening
Drawing

MOD PST 001 001 C
Samenstelling module Assembly module



Benaming
Title Schommel Ophangstelsysteem

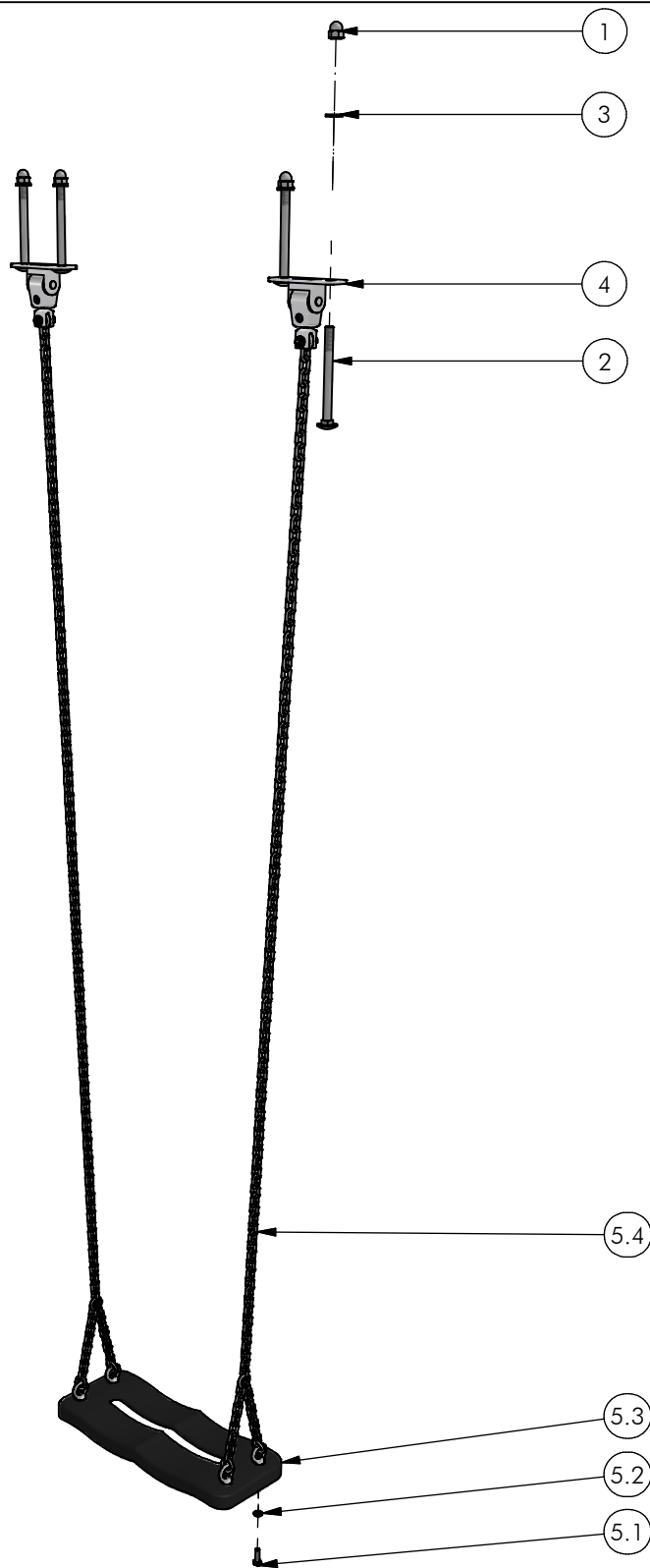
Opmerking
Comment Adventure Play Schommels

Datum
Date 13-1-2016

Tekening
Drawing

MOD PST 001 DRW

Samenstelling module Assembly module



Nr.	#	Type	Progr.	Volgnr	Bew.	Rev.	Benaming	Opmerking
1	4	BSR	011	012	025		Borgdopmoer	M12 - RVS A2-70
2	4	BSR	026	012	140		Slotbout	M12 x 140 - RVS A2-70
3	4	BSR	030	012	003		Sluitring	M12 - RVS A2-70
4	2	BSR	081	012	091		Schommelscharnier	RVS A2-70
5	1	SMD	ZIT	200	090		Zitje incl. ketting	
5.1	4	BSR	021	008	025		Zeskantbout	M8 x 25 - RVS A2-70
5.2	4	BSR	030	008	002		Sluitring	M8 - RVS A2-70
5.3	1	CNK	ZIT	001	090		Schommelzitje CNK	Zwart
5.4	2	RNT	KET	005	250		Schommelketting 5mm	Met vork 2,5 m



Benaming
Title Schommelzitje

Opmerking
Comment Ketting 2,0 m

Datum
Date 16-12-2016

Tekening
Drawing

MOD PST 003 002

Samenstelling module Assembly module