



# Nature Play

## SOLE030.110

Double swing



# SOLE030.110

Double swing



1-2



4 - 12



4.4 x 2.2 x 2.7 m



7.2 x 5.6 m



8.2 x 5.6 m



1.5 m

## Playfunctions

Swinging

## Material

The posts are made of a FSC hardwood with a durability class of 1-2 according to EN 350. The top is covered with a hood. Floors, (climbing) walls and roofs are made of a quality colored HPL laminate. All steel parts are stainless steel. Connections consist of stainless steel and, where necessary, covered with a plastic cap. The ropes are made of 16 mm vandal proof Hercules rope.

## Anchorage

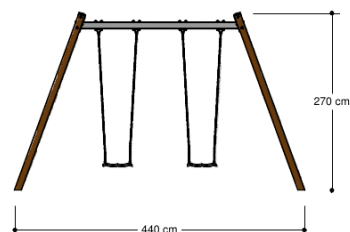
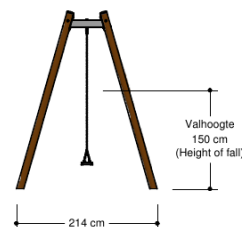
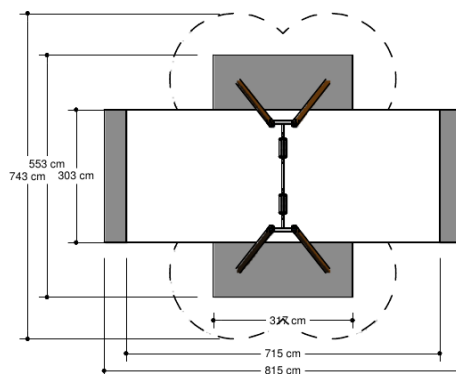
The posts go to a depth of 60 cm in the ground with at the bottom a stainless steel plate to increase the support.

Concrete is not required.

## Comments

If the soil does not contribute to the stability it may be necessary to add concrete.

It is possible to deliver the trespas, nets and powder coating work in other colors. Herefor we will add an additional charge.



## Opvangzone Impact area

WAS, Dutch law

EN1176

## Obstakelvrije zone Obstacle free zone

WAS, Dutch law

EN1176

