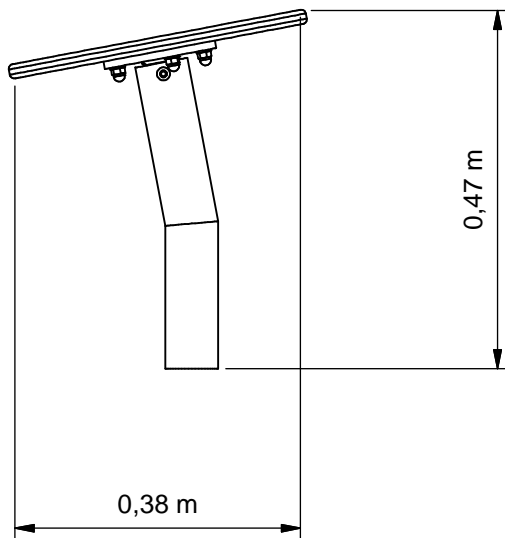
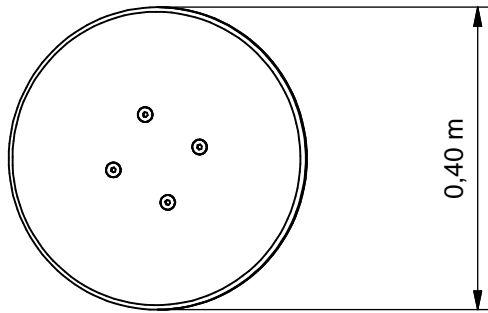


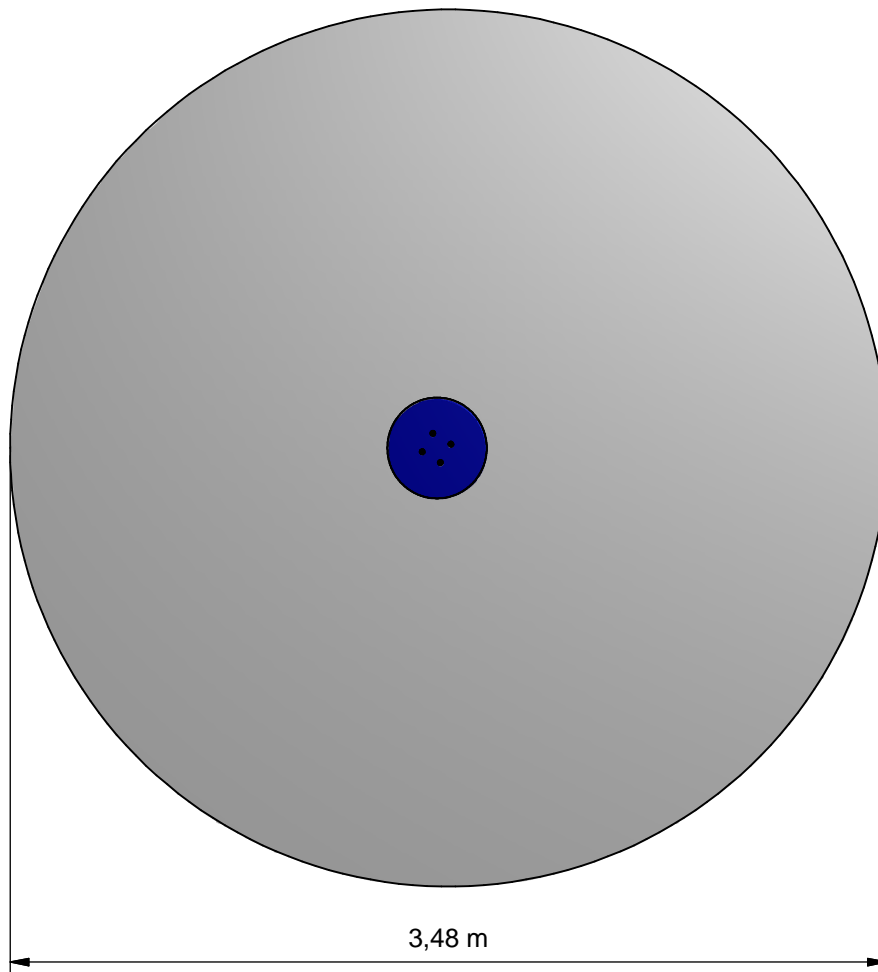




Dizzy disc bent



SOLE030.142





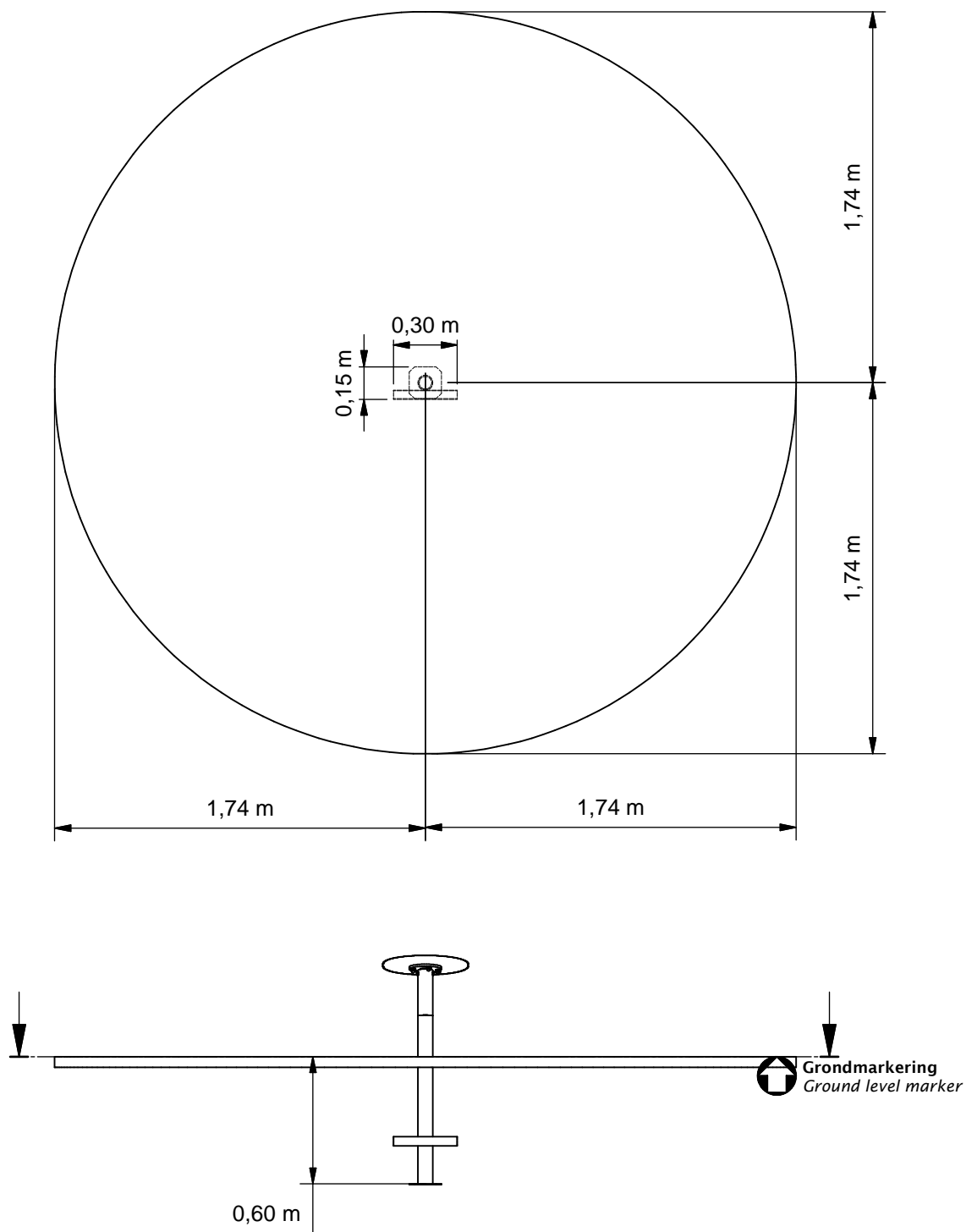
| | |
|---|--|
|  | Opvangzone <i>Impact area</i> |
|  | Obstakelvrije zone <i>Obstacle free zone</i> |



| | |
|------------------------------------|--------------|
| Benaming <i>Title</i> | Duizelschijf |
| Opmerking <i>Comment</i> | Schuin |
| Datum <i>Date</i> | 20-5-2016 |

Tekening
Drawing

TOE SOL 030 142 A
Obstakelvrije zone *Obstacle free zone*



Geleverde modules:

Zie tabel

Supplied modules:

See table

Montageinstructie:

- De hoofdmaten geven de maten van de standers en vloeren aan
- De detailtekeningen geven specifiek de maten van de verbindingen aan
- De modules met buizen zijn op de tekeningen bemaat op bovenkant kopplaat
- Overige modules zijn bemaat op de bovenkant (klimwanden, paalkappen, etc.)

Assembly instruction:

- The main dimensions indicate the dimensions of the posts and floors
- The detailed dimensions show the specific dimensions of the connections
- The modules which contain tubes are dimensioned at the top of the flanges
- Other modules are dimensioned at the top (climbing walls, caps for the posts, etc.)

Montagevolgorde:

- 1 - Graaf de gaten volgens het bodemplan
- 2 - Plaats 1,2
- 3 - Controleer of het toestel voldoet aan de afmetingen zoals op blad 'afmetingen'
- 4 - Dicht de gaten en verdicht het zand

Assembly sequence:

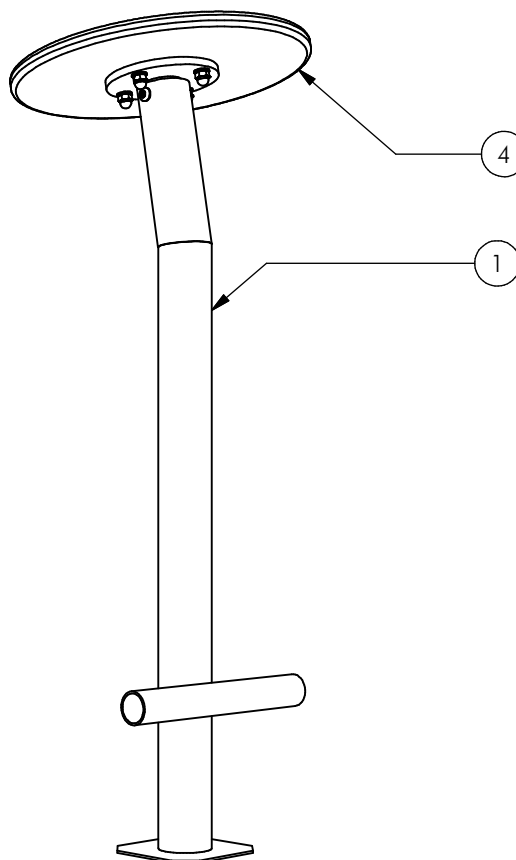
- 1 - Dig the holes according to the ground plan
- 2 - Place 1,2
- 3 - Check that the equipment conforms to the dimensions shown on sheet 'dimensions'
- 4 - Close the holes and compact the sand

Controles:

- 1 - Correcte opbouw en alle bevestigingsmiddelen
- 2 - Controleer de afmetingen van de valbodem t.o.v. het toestel^o

Checks:

- 1 - Correct assembly and all the fasteners
- 2 - Check the dimensions of the safety area with regard to the play equipment



| Nr | # | Type | Progr. | Volgnr | Bew. | Rev. | Benaming | Opmerking |
|----|---|------|--------|--------|------|------|-----------------------|--------------|
| 1 | 1 | MOD | ROT | 070 | 006 | | Duizel anker schuin | hoogte 40 cm |
| 4 | 1 | MOD | ROT | 040 | 003 | | Miniduizel bovendeeel | Basic Play |



Benaming
Title Duizelschijf

Opmerking
Comment Schuin

Datum
Date 20-5-2016

Tekening
Drawing

TOE SOL 030 142 A

Modules Modules

SOLE030.142

Dizzy disc bent

LOGBOOK

(Onderstaand logboek kan gebruikt worden om te voldoen aan de eisen, gesteld in artikel 14 van het Warenwetbesluit Attractie- en Speeltoestellen)

| | |
|--|---|
| Type indication | Nature Play |
| Product code | SOLE030.142 |
| Name of equipment | Duizelschijf schuin |
| Maximum height of fall | 0,6 m |
| Year of construction | 2017 |
| Certificate | 09100312658 |
| inspection authority | Liftinstituut B.V. Buikslotermeerplein 381, A'dam - 1025 XE Amsterdam |
| Name manufacturer | BOERplay Hyacintstraat 2 - 4255 HX Nieuwendijk Phone: +31 (0)183 40 23 66 Fax: +31 (0)183 40 35 64 |
| name installer | _____ _____ |
| Description of equipment | Dizzy disc bent |
| Location of equipment | _____ |
| Data about the owner of the play equipment | |
| Name: | _____ |
| Address: | _____ |
| Postcode and town: | _____ |
| Contact person: | _____ |
| Telephone number: | _____ |
| Data about the administrator of the play equipment | |
| Name: | _____ |
| Address: | _____ |
| Postcode and town: | _____ |
| Contact person: | _____ |
| Telephone number: | _____ |

LOGBOOK

Inspection and maintenance intervals



| Nr. | Inspection | Maintenance | months between inspections |
|-----|--|--|----------------------------|
| 1 | Verify equipment's stability, junctions and missing parts. Inspect bolts, screws and nuts for absence, jams, corrosion and wear. | Add missing parts, secure joints, apply missing fixing agent and replace corroded parts. | 1 |
| 2 | Check suspension for wear. | Replace worn parts and/or remove non-functioning parts. | 1 |
| 3 | Inspect rotating parts such as hinges, rolling-element bearings, etc. for wear and acceptability. | Replace worn parts and/or remove non-functioning parts. | 1 |
| 4 | Check wood for splinters, unacceptable damage and signs of rot. Especially at ground level. | Repair damage. Replace affected wood. Smoothen splintered wood and sharp edges. | 1 |
| 5 | Inspect foundation for stability, tearing and coverage. | Restore foundation and covering material. | 3 |
| 6 | Examine rubber and synthetic parts for wear, damage and break. | Replace original parts. | 3 |
| 7 | Inspect metal for corrosion and damage in the coating. | Restore any damaged coating (after removing rust and applying primer). | 6 |
| 8 | Check ropes, cables, chains and nets for wear and damage. Steel cables and nets which are tensioned must be checked for tension. | Replace parts where necessary. Steel cables and nets must be tensioned. | 3 |
| 9 | Inspect equipment for unsafe changes and additions. | Remove unsafe additions and correct unsafe changes. | 1 |
| 10 | Inspect safety surfaces. | Restore and repair where necessary. | 1 |

Remarks

1. If used intensively, all points require extra attention.
2. Extreme weather conditions and locations may require a higher inspection frequency. Discuss this with the supplier.
3. Vandalism-sensitive locations require stricter inspections, possibly daily.
4. Check the terrain regularly for items that do not belong there, are unsafe or may be used wrongly. Examples are poisonous plants, glass shards, etc. Frequency depends on strain.
5. Remember that bad maintenance leads to unsafe conditions and notably faster impoverishment of the playground area.
6. Replacement parts can be ordered at the manufacturer with the part numbers on the module drawing. Drawings can be found in de user guide.
7. The impact area shall be provided with impact attenuating surface according to the specified falling height.
8. This list is conform the CEN-standard "playground equipment and surfacing NEN-EN 1176-7".

TYPE-EXAMINATION CERTIFICATE

Acting under the " Warenwetbesluit Attractie- en Speeltoestellen" issued by Liftinstituut B.V.
commissioned by departmental order, no. VGP/PSL 2857566 from 27 Juni 2008.

Certificate nr. : NL 09-100312658 Revision nr.: -

Description of the product : Duizelschijf schuin, playground equipment carousel with diameter 0.48m

Trademark, type : Boer Speeltoestellen
TOE SOL 030 142

Name and address of the manufacturer : Boer Speeltoestellen
Hyacinthstraat 2
4255 HX Nieuwendijk

Name and address of the certificate holder : Boer Speeltoestellen
Hyacinthstraat 2
4255 HX Nieuwendijk

Certificate issued on the basis of the following requirements : Warenwetbesluit Attractie- en Speeltoestellen,
NEN-EN 1176-1:2008, NEN-EN 1176-5:2008

Test laboratory : None

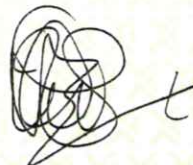
Date and number of the laboratory report : None

Date of type-examination : 13 October 2008 – 30 March 2009

Annexes with this certificate : Report belonging to the type-examination certificate
nr.: 100312658

Additional remarks : None

Conclusion : The playground equipment meets the requirements of the above specified European standard(s) and "Warenwetbesluit Attractie- en Speeltoestellen" taking into account any additional remarks mentioned above.

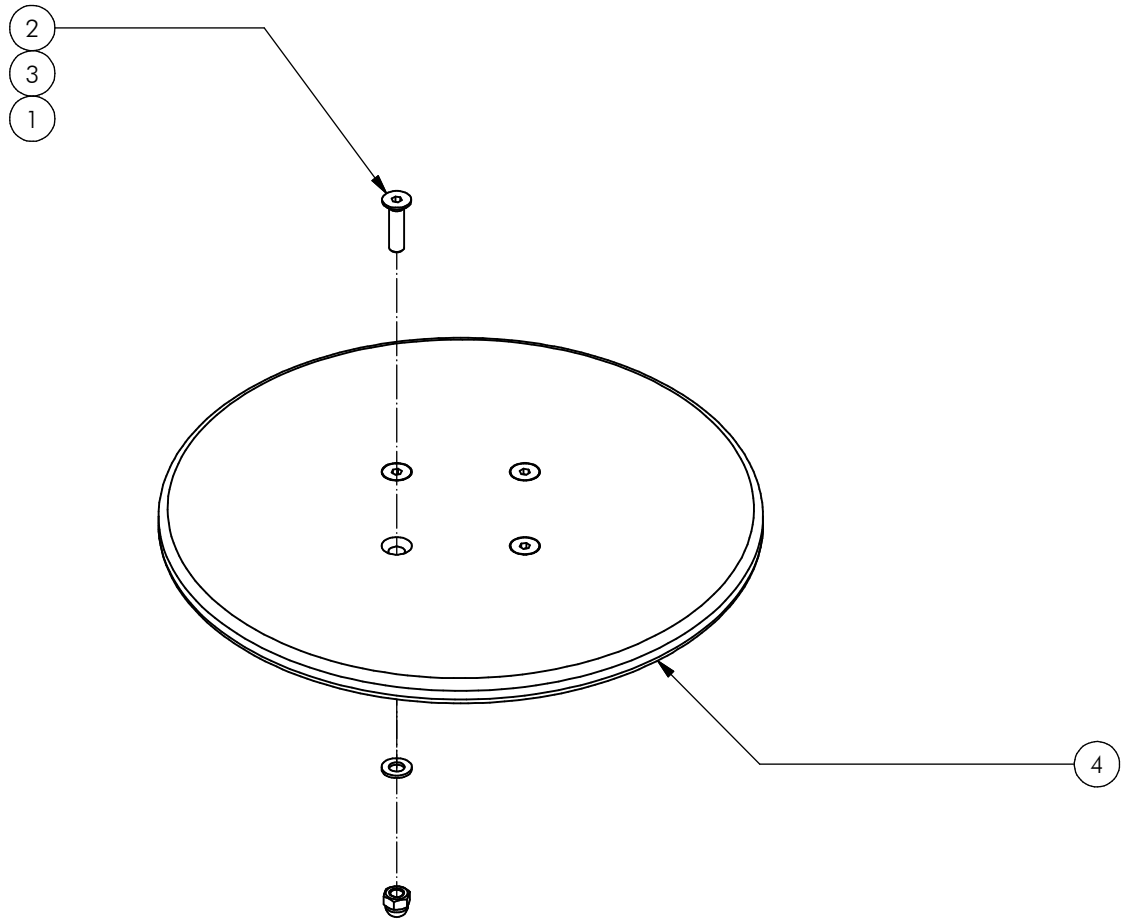


Issued in Amsterdam
Date of issue : 7 April 2009

Ir. V.M.A. Barendregt
LIFTINSTITUUT B.V.
Senior Officer Certification
& Technology



Drs. B. Mulder
LIFTINSTITUUT B.V.
Director Certification &
Inspection International



| Nr | # | Type | Progr. | Volgnr | Bew. | Rev. | Benaming | Opmerking |
|----|---|------|--------|--------|------|------|-----------------|----------------------|
| 1 | 4 | BSR | 011 | 010 | 020 | | Borgdopmoer | M10 - RVS A2-70 |
| 2 | 4 | BSR | 024 | 010 | 040 | | Verzonken bout | M10 x 40 - RVS A2-70 |
| 3 | 4 | BSR | 030 | 010 | 002 | | SLUITRING | M10 |
| 4 | 1 | OPE | ROT | 023 | 050 | | Vloer miniduzel | Basic Play |



Benaming
Title Miniduzel bovendeel

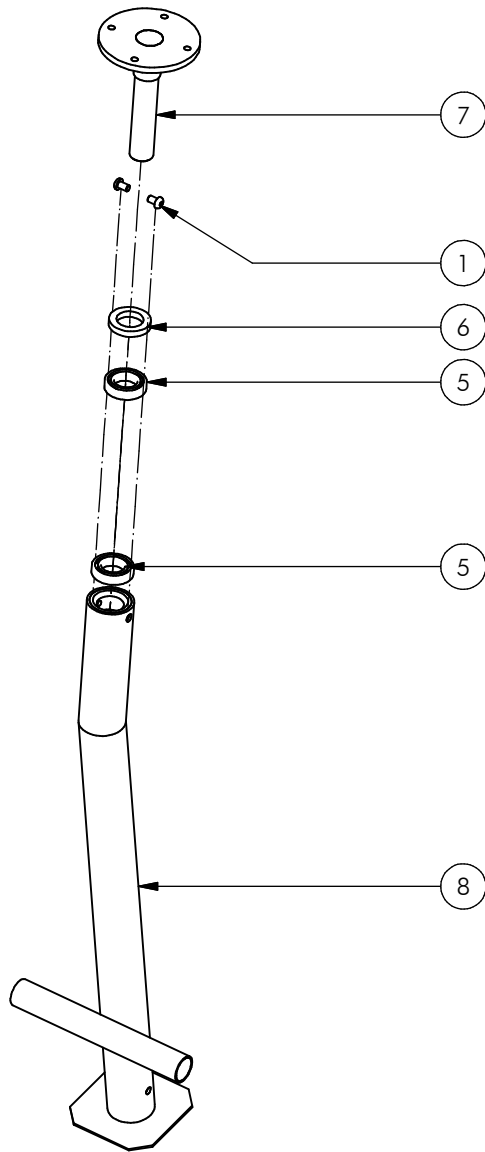
Opmerking
Comment Basic Play

Datum
Date 20-5-2016

Tekening
Drawing

MOD ROT 040 003

Samenstelling module *Assembly module*



| Nr | # | Type | Progr. | Volgnr | Bew. | Rev. | Benaming | Opmerking |
|----|---|------|--------|--------|------|------|---------------------|----------------------|
| 1 | 2 | BSR | 023 | 010 | 016 | | Bolkopbout ISO 7380 | M10 x 16 - RVS A2-70 |
| 2 | 1 | BSR | 041 | 035 | 015 | | Asborgring | 35 mm - RVS A2-70 |
| 3 | 1 | KST | ROT | 013 | PA6 | | Stop | Miniduzel |
| 4 | 1 | KST | ROT | 014 | PA6 | | Afstandbus | Miniduzel |
| 5 | 2 | LAG | KOG | 035 | 062 | | KOGELLAGER | 6007 2RS |
| 6 | 1 | OKR | 062 | 040 | 010 | | Oliekeerring | 60 x 40 x 10 |
| 7 | 1 | SME | ROT | 044 | 304 | A | As | Miniduzel |
| 8 | 1 | SME | ROT | 064 | 905 | A | Basis anker | duizel schuin |



Benaming
Title Duizel anker schuin

Opmerking
Comment hoogte 40 cm

Datum
Date 28-11-2016

Tekening
Drawing

MOD ROT 070 006 B
 Samenstelling module *Assembly module*