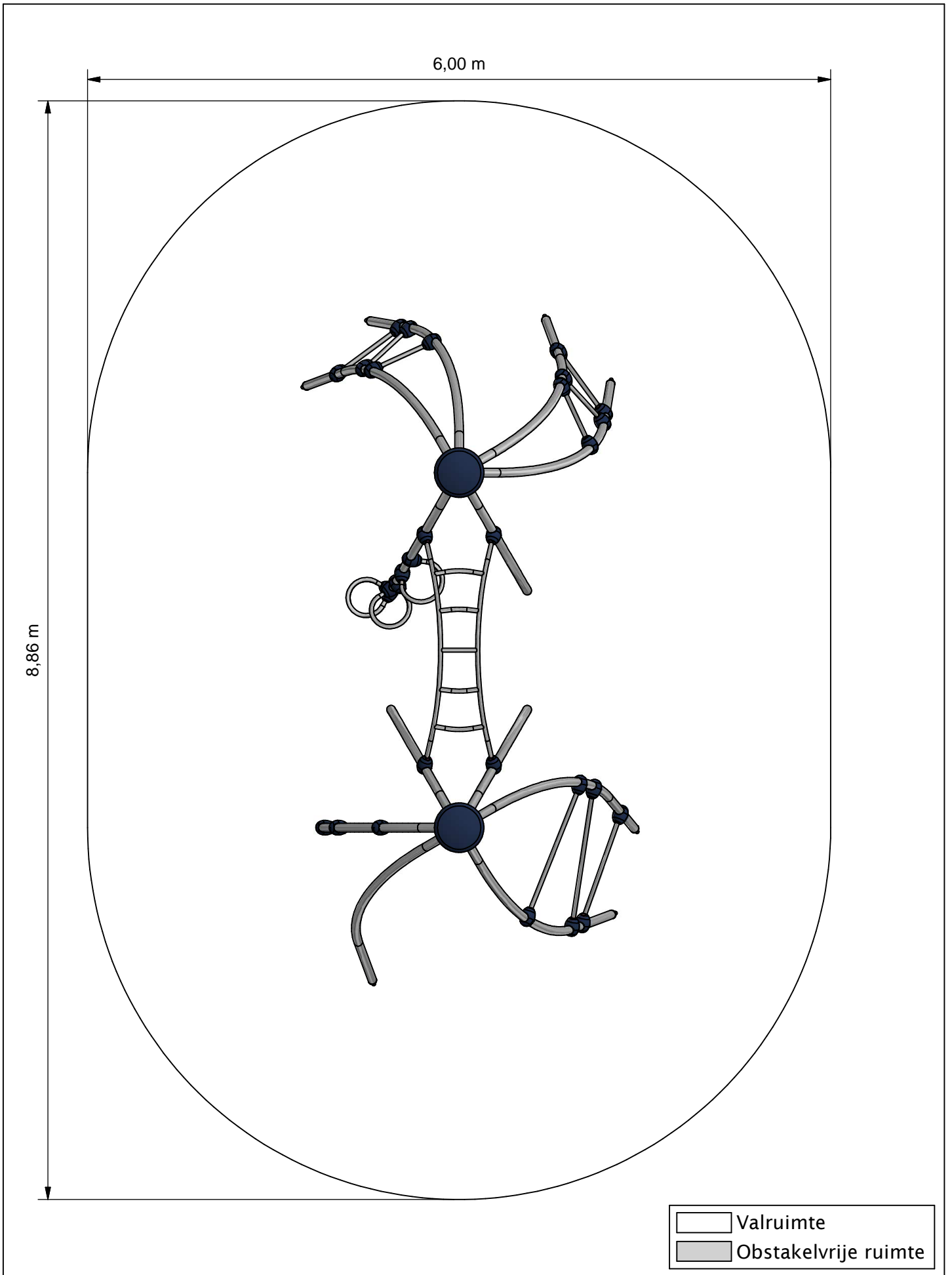




Pioneer Diocles 003



PNRE020.003



Benaming
Title PIONIER

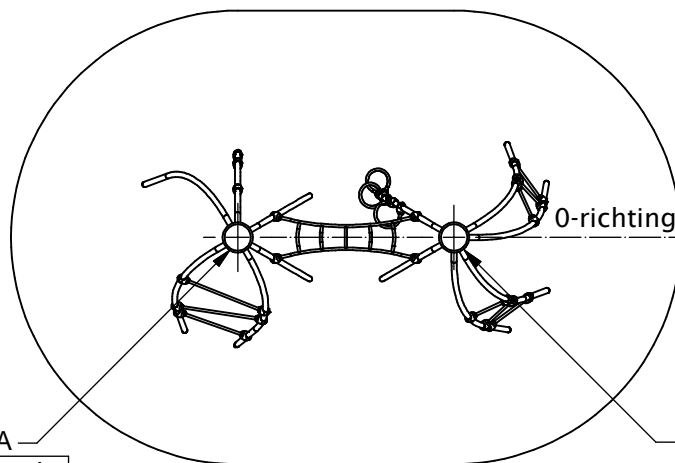
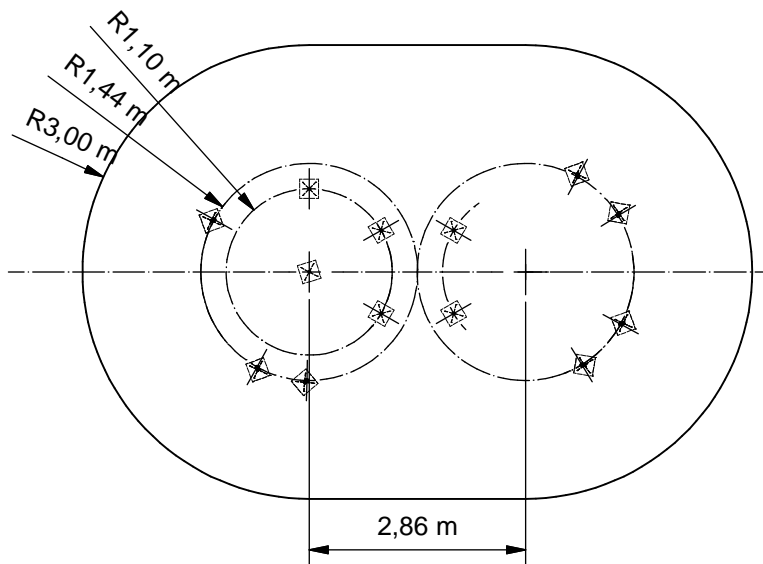
Opmerking
Comment DIOCLES 003

Datum
Date 3-11-2004

Tekening
Drawing

TOE PNR 020 003

Obstakelvrije Ruimte *Obstacle free zone*

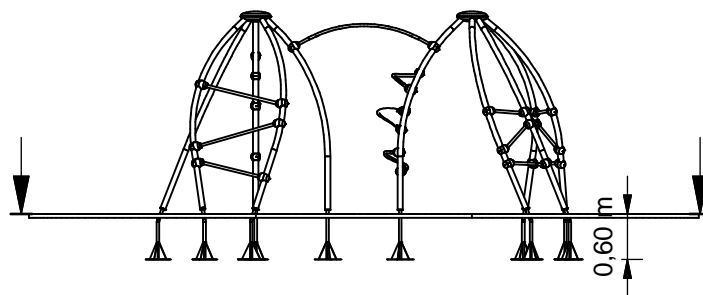


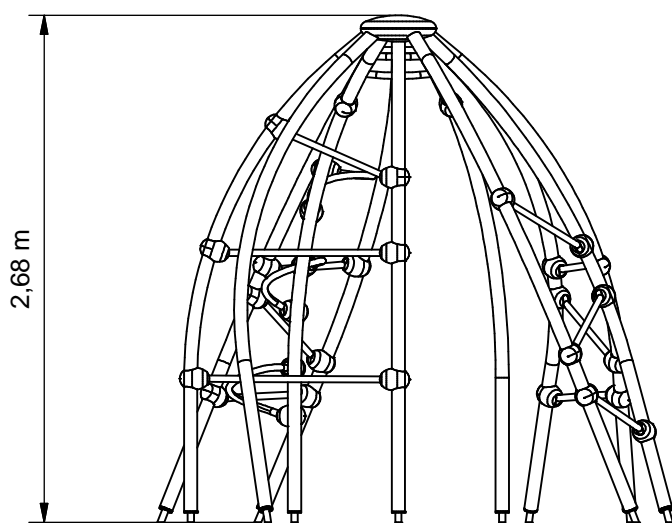
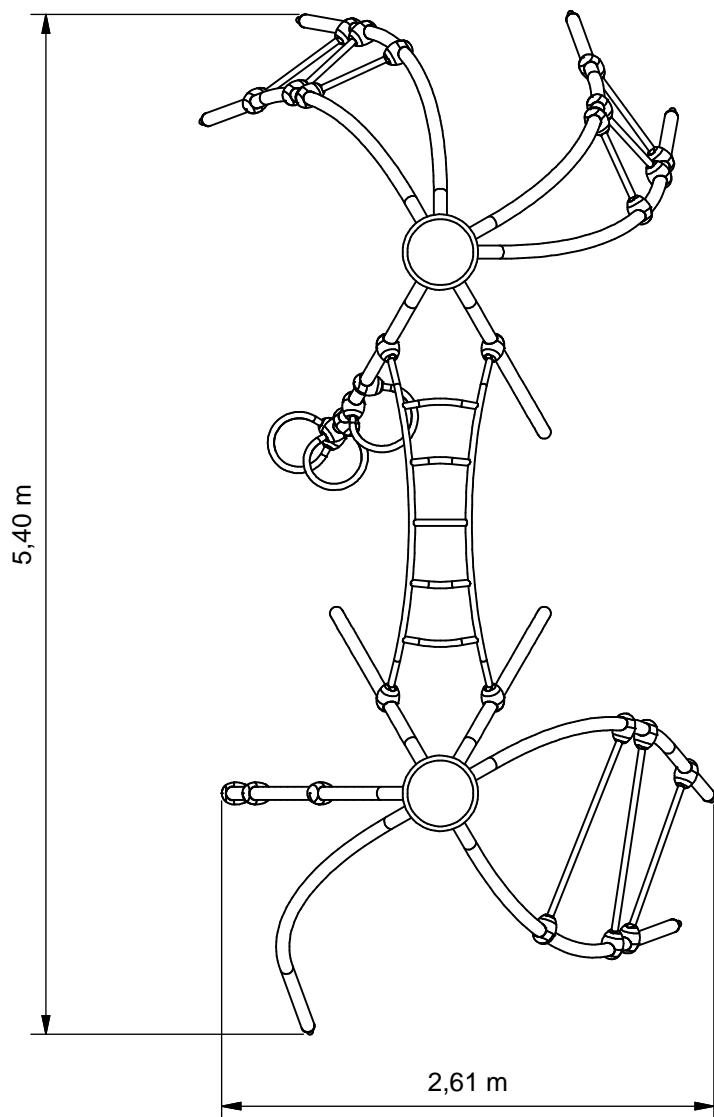
Topmodule A

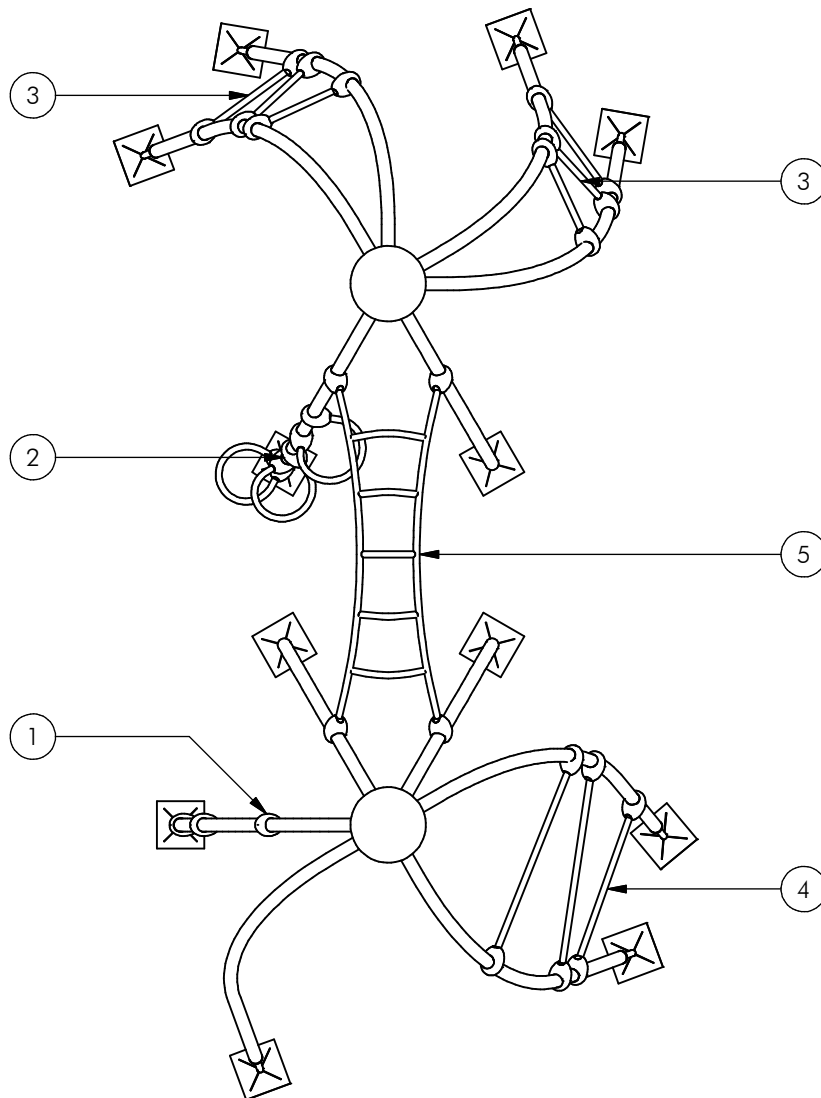
Richting	Stand
1	3
3	3
4	4
7	4
10	2
11	3

Topmodule B

Richting	Stand
0	4
1	4
5	3
7	3
9	4
10	4







5	1	MOD	PNR	321	323		Boogrek	Hoog
4	1	MOD	PNR	311	432		Buizenwand	Zig-zag
3	2	MOD	PNR	310	414		Buizenwand	Schuin
2	1	MOD	PNR	305	000		Wokkeltrap	Enkele staander
1	1	MOD	PNR	302	300		Buizenwand	Zeil
POS	N	TYPE	PROJ.	NR.	BEH.	R	BENAMING	OPMERKING



Benaming
Title PIONIER

Opmerking
Comment DIOCLES 003

Datum
Date 3-11-2004

Tekening
Drawing

TOE PNR 020 003

Modules Modules

PNRE020.003

Pioneer Diocles 003

LOGBOOK

(Onderstaand logboek kan gebruikt worden om te voldoen aan de eisen, gesteld in artikel 14 van het Warenwetbesluit Attractie- en Speeltoestellen)

Type indication	Pioneer Play
Product code	PNRE020.003
Name of equipment	Pionier Diocles 003
Maximum height of fall	2,7 m
Year of construction	2017
Certificate	05200116226
inspection authority	Liftinstituut B.V. Buikslotermeerplein 381, A'dam - 1025 XE Amsterdam
Name manufacturer	BOERplay Hyacintstraat 2 - 4255 HX Nieuwendijk Phone: +31 (0)183 40 23 66 Fax: +31 (0)183 40 35 64
name installer	_____ _____
Description of equipment	Pioneer Diocles 003
Location of equipment	_____
Data about the owner of the play equipment	
Name:	_____
Address:	_____
Postcode and town:	_____
Contact person:	_____
Telephone number:	_____
Data about the administrator of the play equipment	
Name:	_____
Address:	_____
Postcode and town:	_____
Contact person:	_____
Telephone number:	_____

LOGBOOK

Inspection and maintenance intervals



Nr.	Inspection	Maintenance	months between inspections
1	Verify equipment's stability, junctions and missing parts. Inspect bolts, screws and nuts for absence, jams, corrosion and wear.	Add missing parts, secure joints, apply missing fixing agent and replace corroded parts.	1
2	Check suspension for wear.	Replace worn parts and/or remove non-functioning parts.	1
3	Inspect rotating parts such as hinges, rolling-element bearings, etc. for wear and acceptability.	Replace worn parts and/or remove non-functioning parts.	1
4	Check wood for splinters, unacceptable damage and signs of rot. Especially at ground level.	Repair damage. Replace affected wood. Smoothen splintered wood and sharp edges.	1
5	Inspect foundation for stability, tearing and coverage.	Restore foundation and covering material.	3
6	Examine rubber and synthetic parts for wear, damage and break.	Replace original parts.	3
7	Inspect metal for corrosion and damage in the coating.	Restore any damaged coating (after removing rust and applying primer).	6
8	Check ropes, cables, chains and nets for wear and damage. Steel cables and nets which are tensioned must be checked for tension.	Replace parts where necessary. Steel cables and nets must be tensioned.	3
9	Inspect equipment for unsafe changes and additions.	Remove unsafe additions and correct unsafe changes.	1
10	Inspect safety surfaces.	Restore and repair where necessary.	1

Remarks

1. If used intensively, all points require extra attention.
2. Extreme weather conditions and locations may require a higher inspection frequency. Discuss this with the supplier.
3. Vandalism-sensitive locations require stricter inspections, possibly daily.
4. Check the terrain regularly for items that do not belong there, are unsafe or may be used wrongly. Examples are poisonous plants, glass shards, etc. Frequency depends on strain.
5. Remember that bad maintenance leads to unsafe conditions and notably faster impoverishment of the playground area.
6. Replacement parts can be ordered at the manufacturer with the part numbers on the module drawing. Drawings can be found in de user guide.
7. The impact area shall be provided with impact attenuating surface according to the specified falling height.
8. This list is conform the CEN-standard "playground equipment and surfacing NEN-EN 1176-7".

TYPE-EXAMINATION CERTIFICATE

Acting under the " Warenwetbesluit Attractie- en Speeltoestellen" issued by Liftinstituut B.V.
commissioned by departmental order, no. VGP/P&L 2456476 from 17 march 2004.

Certificate nr. : NL 05-2001-162-26 Revision nr.: 200116226

Description of the product : Playground equipment, Pionier

Trademark, type : Speelwijzer, PNR.....

Name and address of the manufacturer : Speelwijzer / Dhr R. van Veen
Postbus 345
5300 AH Zaltbommel

Name and address of the certificate holder : Speelwijzer / Dhr R. van Veen
Postbus 345
5300 AH Zaltbommel

Certificate issued on the basis of the following requirements : Warenwetbesluit Attractie- en Speeltoestellen 3 september 1996

Test laboratory : None

Date and number of the laboratory report : None

Date of type-examination : - t/m -

Annexes with this certificate :

Additional remarks :

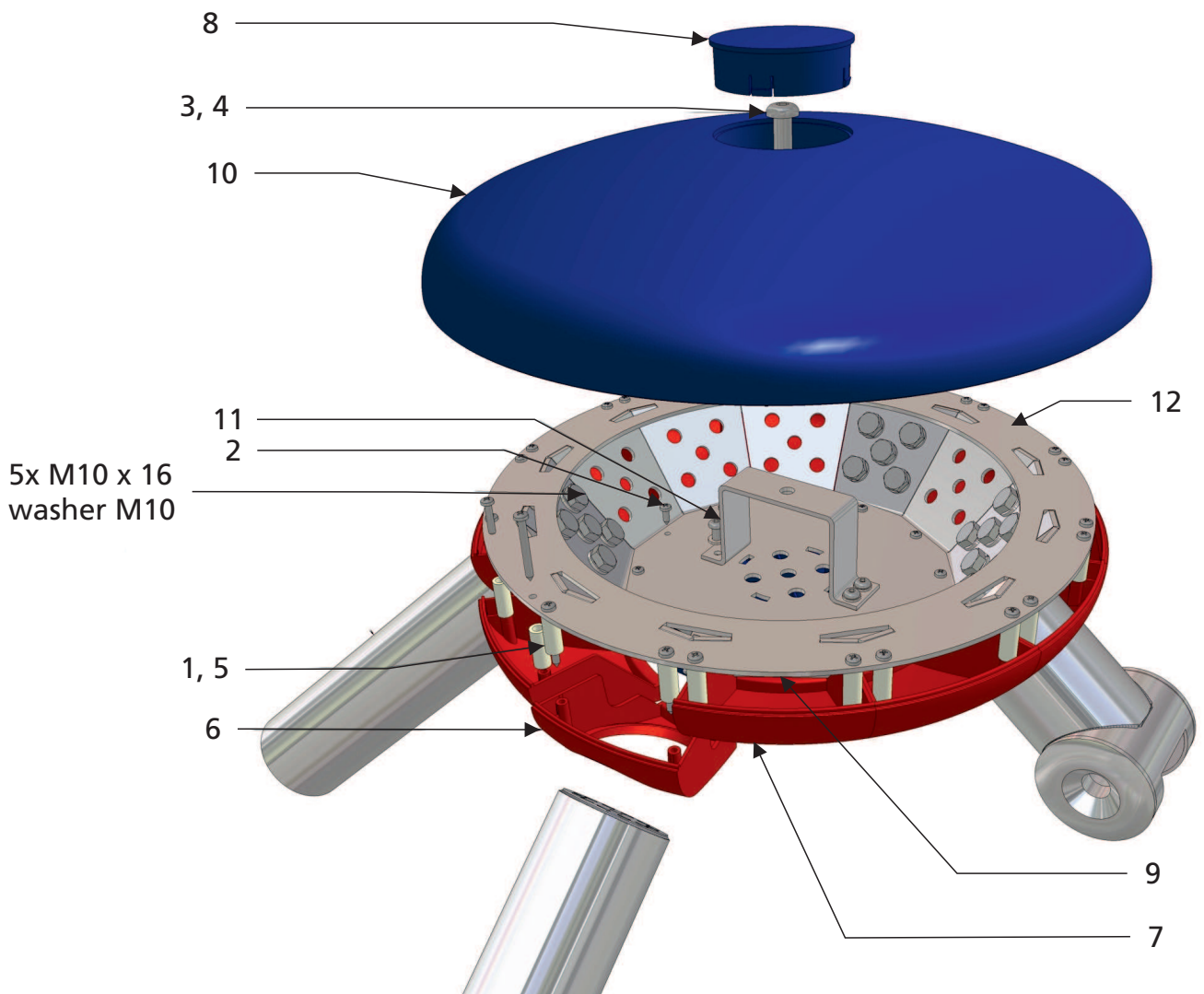
Conclusion : The playground equipment meets the requirements of the above specified European standard(s) and "Warenwetbesluit Attractie- en Speeltoestellen" taking into account any additional remarks mentioned above.



Issued in Amsterdam

Date of issue : Januari 28th, 2005

M. Dougué
Director
Liftinstituut B.V.



12	1	SME	PNR	003	320	D	TOPMODULE	STAALDEEL
11	1	OME	PNR	020	320	A	BEUGEL	TOPMODULE
10	1	KST	PNR	902	001	-	BOVENDEKSEL	TOPMODULE
9	1	KST	PNR	902	002	-	ONDERDEKSEL	TOPMODULE
8	2	KST	PNR	902	003	-	VULDOP	TOPMODULE
7	12	KST	PNR	902	005	-	WISSELDEEL DICHT	TOPMODULE
6	0	KST	PNR	902	004	-	WISSELDEEL OPEN	TOPMODULE
5	24	KST	BUS	006	025	-	AFSTANDBUS	NYLON
4	1	BSR	034	010	002	-	VEERING	M10
3	1	BSR	023	010	040	-	BOLKOPSCHROEF	M10 x 40
2	12	BSR	003	004	012	-	PANCIL. SCHROEF	4 x 12
1	24	BSR	003	004	040	-	PANCIL. SCHROEF	4 x 40
POS	N	TYPE	PROJ.	NR.	BEH.	R	BENAMING	OPMERKING

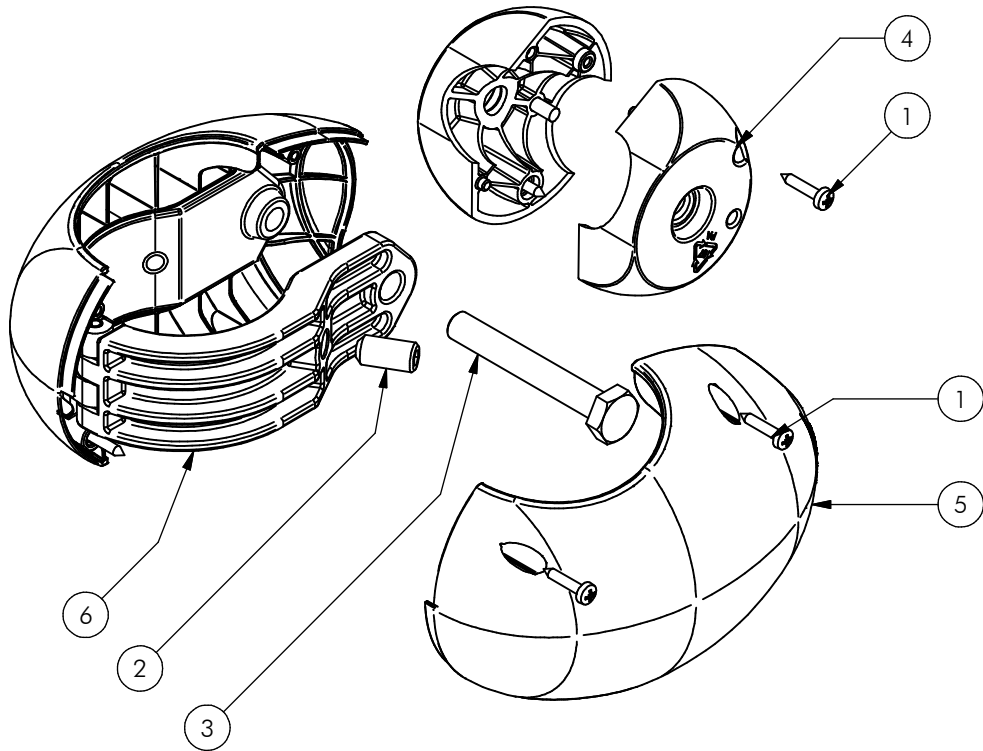
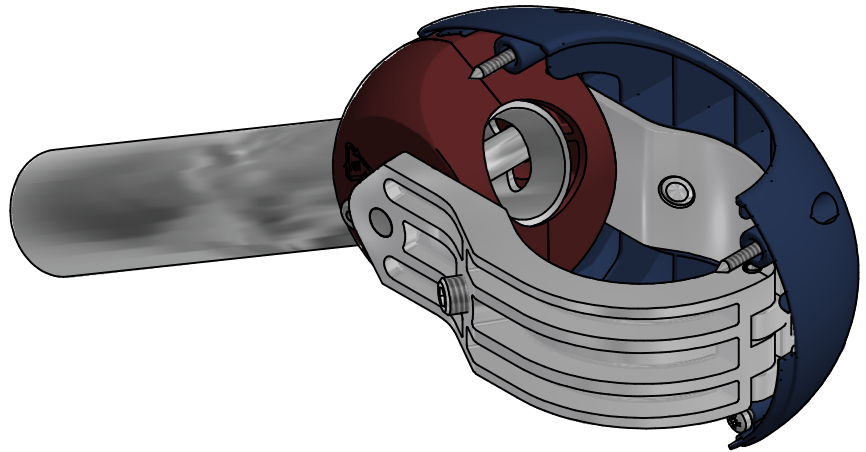


Benaming Title Topmodule
 Opmerking Comment Pionier
 Datum Date 5-10-2009

Tekening Drawing

MOD PNR 001 000

Samenstelling module Assembly module



Nr	#	Type	Progr.	Volgnr	Bew.	Rev.	Benaming	Opmerking
1	6	BSR	005	004	019		Zelfb. schroef	3,5 x 19 - RVS A2-70
2	2	BSR	007	010	020		STELSCHROEF	KRATER M10x20
3	1	BSR	021	010	070		Zeskantbout	M10 x 70 - RVS A2-70
4	2	KST	PNR	010	PA6		Vulbol helft	Pionier 2010
5	2	KST	PRO	901	001	C	Schaaldeel Ei	Pionier
6	1	SME	PNR	059	ALU		Beugel compleet	Ei-koppeling



Benaming
Title Sumbmodule

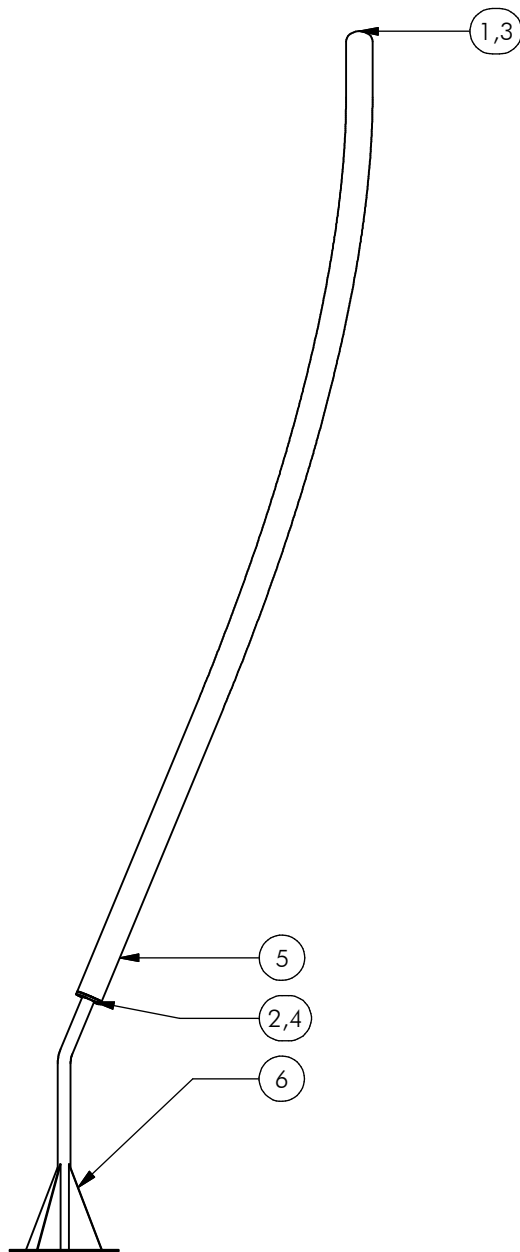
Opmerking
Comment EI 05

Datum
Date 13-7-2009

Tekening
Drawing

SMD PNR 005 000

Samenstelling module Assembly module



6	1	SME	PNR	011	320	B	GRONDANKER	KNIK
5	1	SME	PNR	001	320	B	STAANDER LANG	50 GRADEN
4	4	KST	DOP	006	030	-	OPVULDOPJE	ZESKANT 6MM
3	5	BSR	030	010	002	-	Sluitring M10	DIN 125
2	4	BSR	027	008	020	-	CILINDERKOPSCHROEF	M8 x 20
1	5	BSR	021	010	016	-	ZESKANTBOUT	M10 x 16
POS	N	TYPE	PROJ.	NR.	BEH.	R	BENAMING	OPMERKING



Benaming
Title | Staander _____

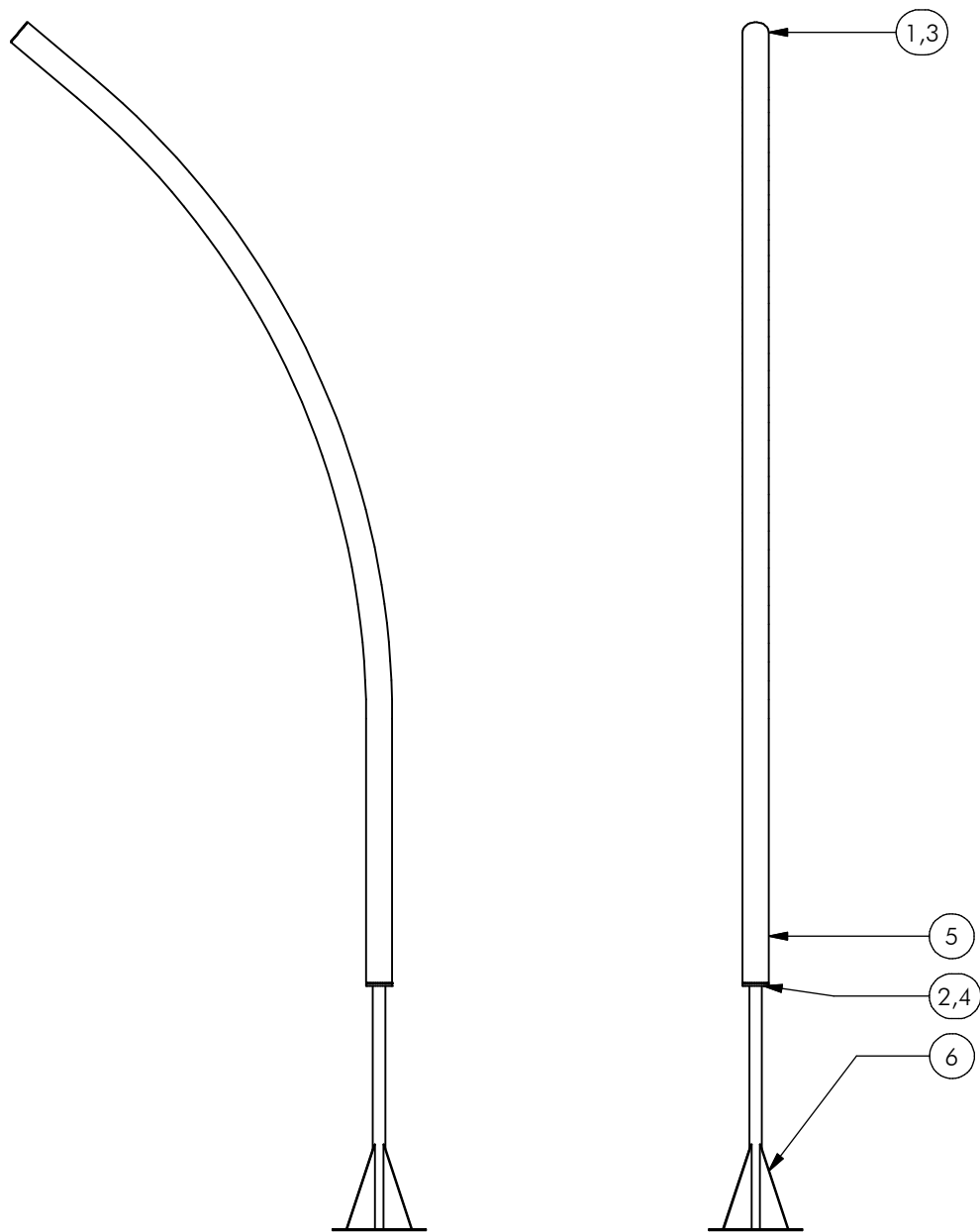
Opmerking
Comment | Stand 2 _____

Datum
Date | 8-1-2009 _____

Tekening
Drawing

MOD PNR 002 000

Samenstelling module Assembly module



6	1	SME	PNR	007	320	C	GRONDANKER	RECHT
5	1	SME	PNR	002	320	B	STAANDER KORT	50 GRADEN
4	4	KST	DOP	006	030	-	OPVULDOPJE	ZESKANT 6MM
3	5	BSR	030	010	002	-	Sluitring M10	DIN 125
2	4	BSR	027	008	020	-	CILINDERKOPSCHROEF	M8 x 20
1	5	BSR	021	010	016	-	ZESKANTBOUT	M10 x 16
POS	N	TYPE	PROJ.	NR.	BEH.	R	BENAMING	OPMERKING



Benaming
Title | Staander

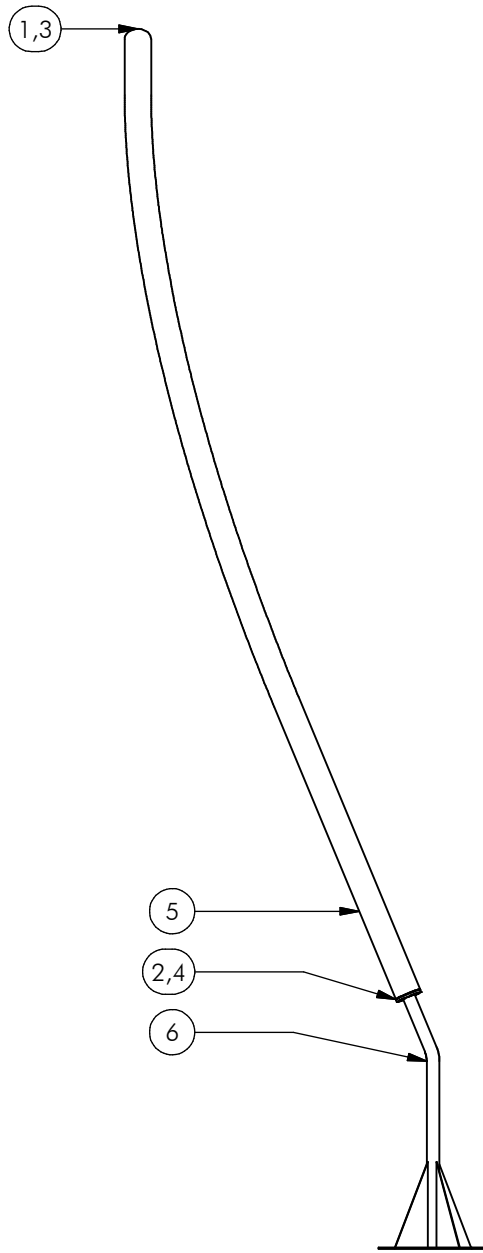
Opmerking
Comment | Stand 3

Datum
Date | 8-1-2009

Tekening
Drawing

MOD PNR 003 000

Samenstelling module *Assembly module*



6	1	SME	PNR	011	320	B	GRONDANKER	KNIK
5	1	SME	PNR	001	320	B	STAANDER LANG	50 GRADEN
4	4	KST	DOP	006	030	-	OPVULDOPJE	ZESKANT 6MM
3	5	BSR	030	010	002	-	Sluitring M10	DIN 125
2	4	BSR	027	008	020	-	CILINDERKOPSCHROEF	M8 x 20
1	5	BSR	021	010	016	-	ZESKANTBOUT	M10 x 16
POS	N	TYPE	PROJ.	NR.	BEH.	R	BENAMING	OPMERKING

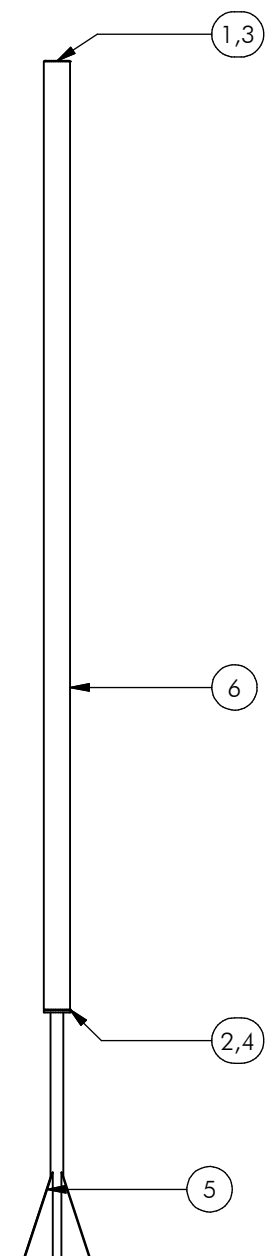


Benaming
Title | Staander _____
Opmerking
Comment | Stand 4 _____
Datum
Date | 8-1-2009 _____

Tekening
Drawing

MOD PNR 004 000

Samenstelling module Assembly module



6	1	SME	PNR	010	320	D	MIDDENSTAANDER	RECHT
5	1	SME	PNR	007	320	C	GRONDANKER	RECHT
4	4	KST	DOP	006	030	-	OPVULDOPJE	ZESKANT 6MM
3	5	BSR	030	010	002	-	Sluitring M10	DIN 125
2	4	BSR	027	008	020	-	CILINDERKOPSCHROEF	M8 x 20
1	5	BSR	021	010	016	-	ZESKANTBOUT	M10 x 16
POS	N	TYPE	PROJ.	NR.	BEH.	R	BENAMING	OPMERKING



Benaming
Title: Staander

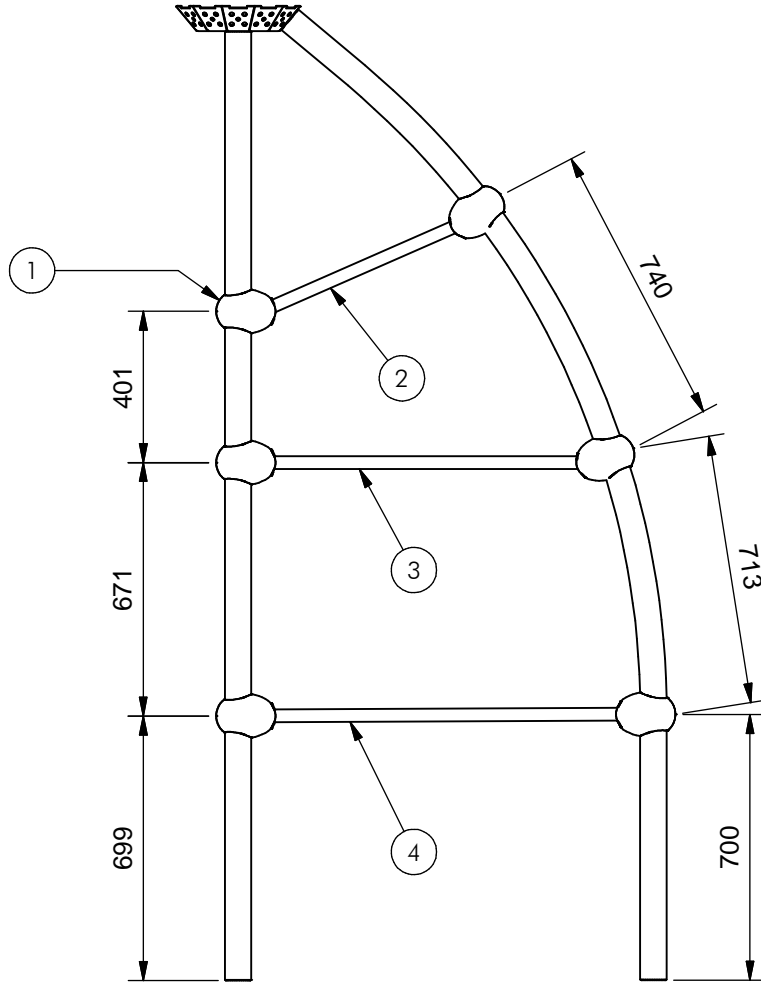
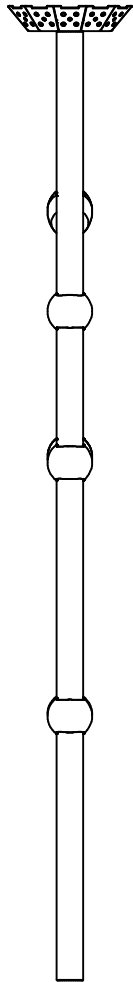
Opmerking
Comment: Midden stand 0

Datum
Date: 8-1-2009

Tekening
Drawing

MOD PNR 010 000

Samenstelling module *Assembly module*



4	1	OME	PNR	130	097		Klimstang PNR 33.7x2	Lengte 970 cm HOH
3	1	OME	PNR	130	086		Klimstang PNR 33.7x2	Lengte 860 cm HOH
2	1	OME	PNR	130	058		Klimstang PNR 33.7x2	Lengte 580 cm HOH
1	6	SMD	PNR	005	000		Submodule	EI 05
POS	N	TYPE	PROJ.	NR.	BEH.	R	BENAMING	OPMERKING



Benaming
Title Buizenwand

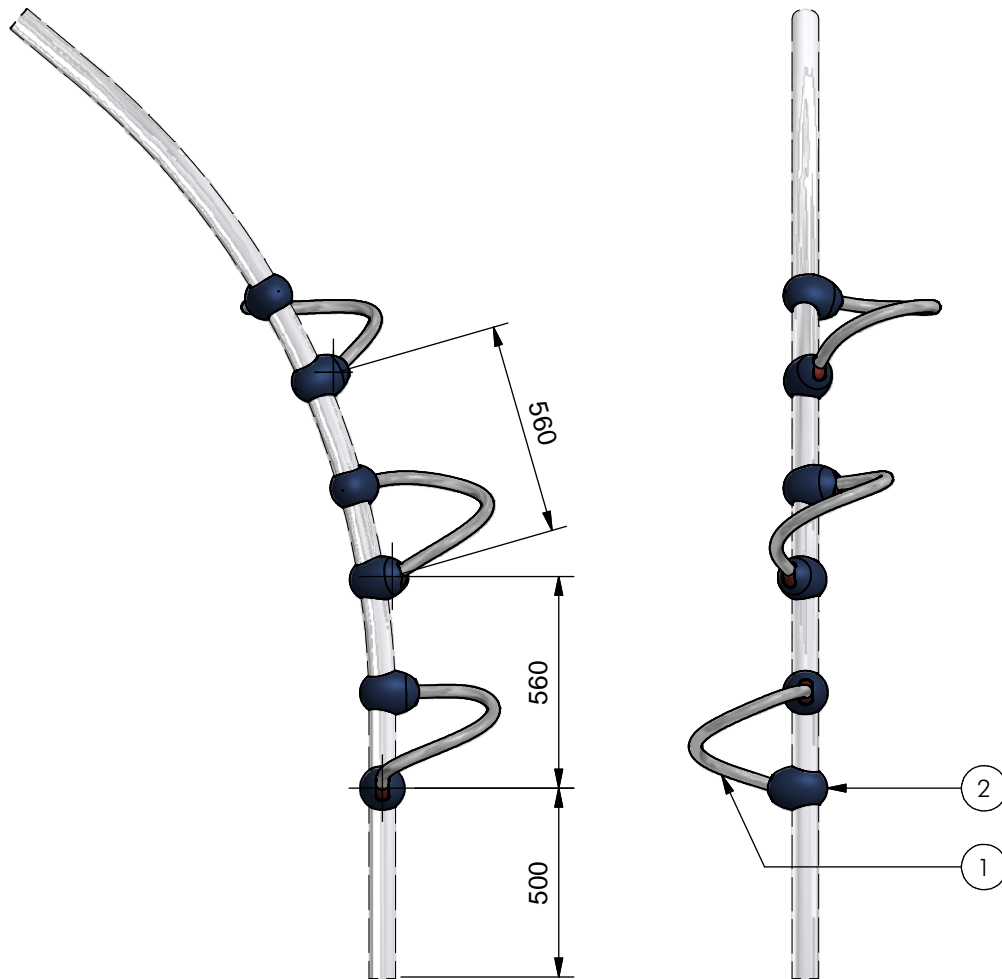
Opmerking
Comment Zeil

Datum
Date 13-8-2010

Tekening
Drawing

MOD PNR 302 300

Samenstelling module *Assembly module*



Nr	#	Type	Progr.	Volgnr	Bew.	Rev.	Benaming	Opmerking
1	3	OME	PNR	018	320	B	Wokkelbuis	Wokkel
2	6	SMD	PNR	005	000		Submodule	EI 05



Benaming
Title: Wokkeltrap

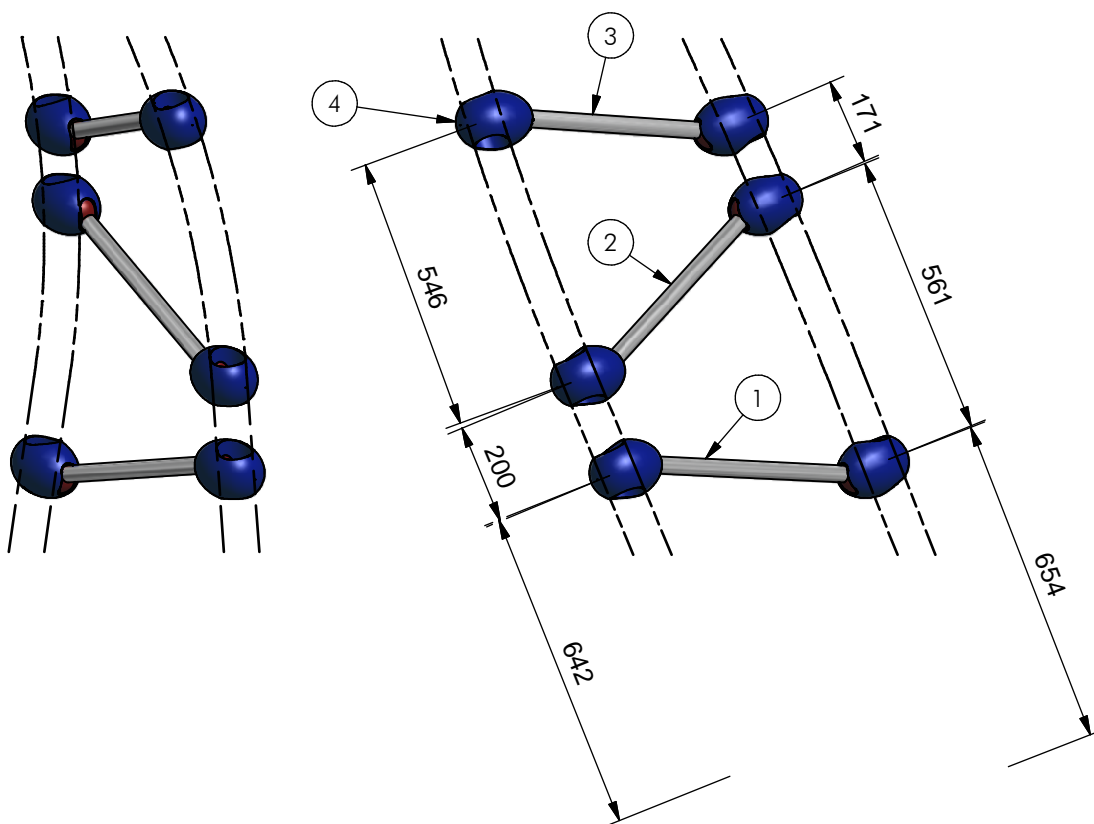
Opmerking
Comment: Enkele staander

Datum
Date: 13-8-2010

Tekening
Drawing

MOD PNR 305 000

Samenstelling module *Assembly module*



Nr	#	Type	Progr.	Volgnr	Bew.	Rev.	Benaming	Opmerking
1	1	OME	PNR	130	053		Klimstang PNR 33.7x2	Lengte 530 cm HOH
2	1	OME	PNR	130	050		Klimstang PNR 33.7x2	Lengte 500 cm HOH
3	1	OME	PNR	130	044		Klimstang PNR 33.7x2	Lengte 440 cm HOH
4	6	SMD	PNR	005	000		Submodule	EI 05



Benaming
Title: Buizenwand

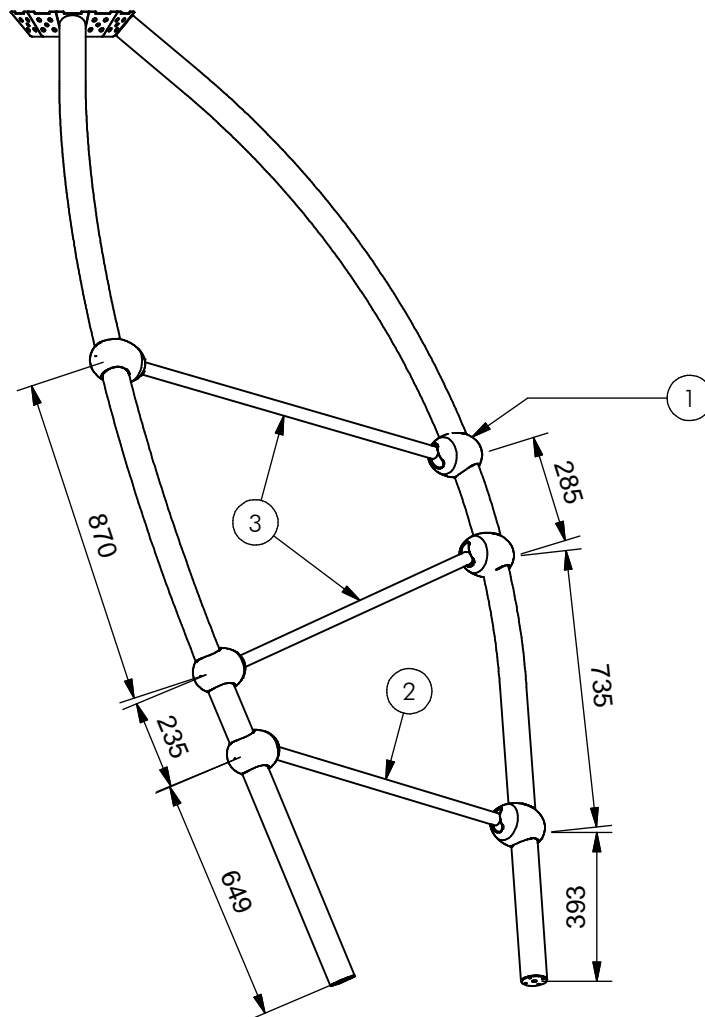
Opmerking
Comment: Schuin

Datum
Date: 8-1-2009

Tekening
Drawing

MOD PNR 310 414

Samenstelling module *Assembly module*



3	2	OME	PNR	130	108		Klimstang PNR 33.7x2	Lengte 1080 cm HOH
2	1	OME	PNR	130	086		Klimstang PNR 33.7x2	Lengte 860 cm HOH
1	6	SMD	PNR	005	000		Submodule	EI 05
POS	N	TYPE	PROJ.	NR.	BEH.	R	BENAMING	OPMERKING



Benaming
Title Buizenwand

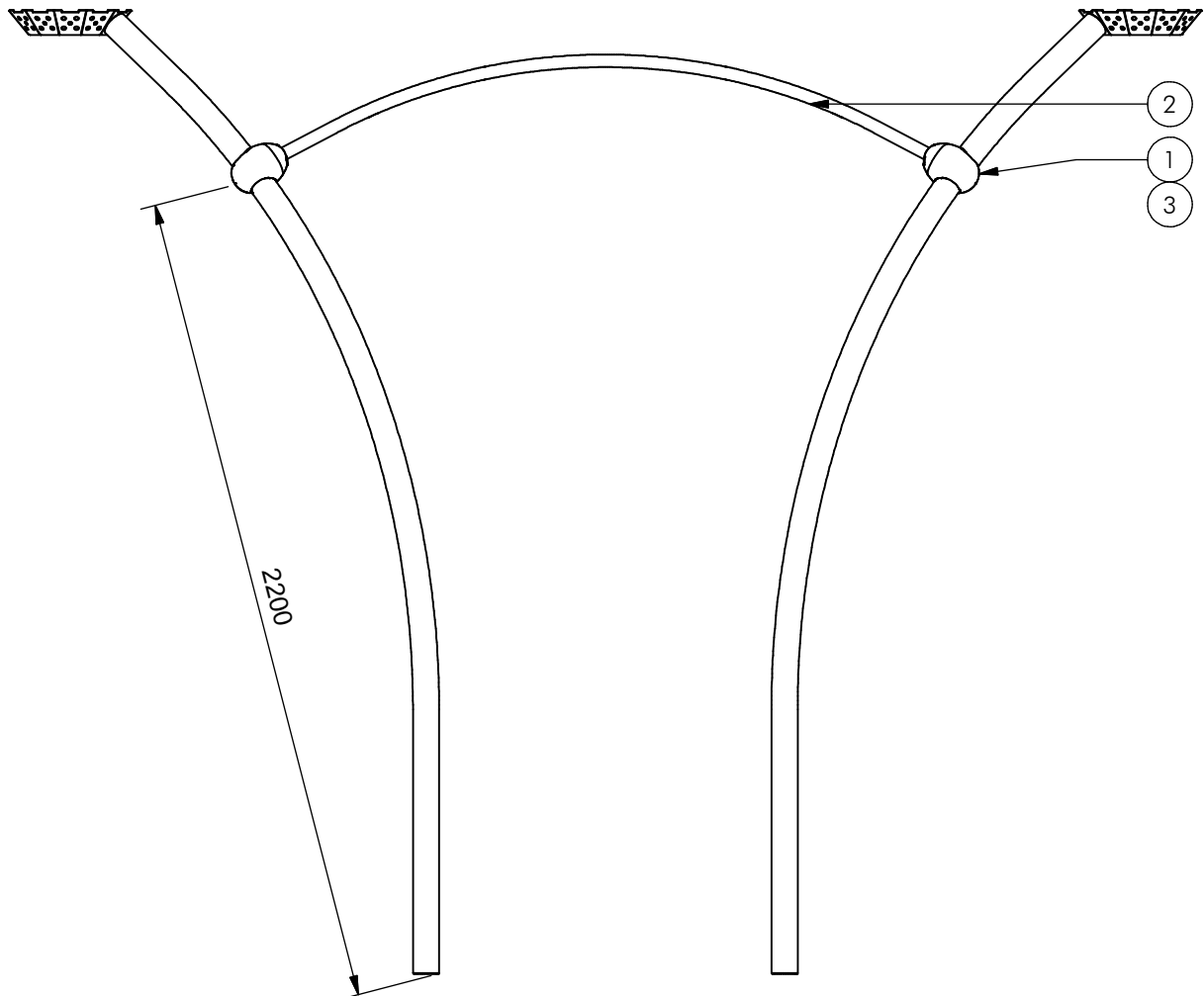
Opmerking
Comment Zig-zag

Datum
Date 8-1-2009

Tekening
Drawing

MOD PNR 311 432

Samenstelling module *Assembly module*



3	4	SME	PNR	371	304		Bevestigings Buis	met M10 Draad
2	1	SME	PNR	023	320	B	Boogrek	Normaal
1	4	SMD	PNR	005	000		Submodule	EI 05
POS	N	TYPE	PROJ.	NR.	BEH.	R	BENAMING	OPMERKING



Benaming
Title Boogrek

Opmerking
Comment Hoog

Datum
Date 9-1-2009

Tekening
Drawing

MOD PNR 321 323

Samenstelling module *Assembly module*