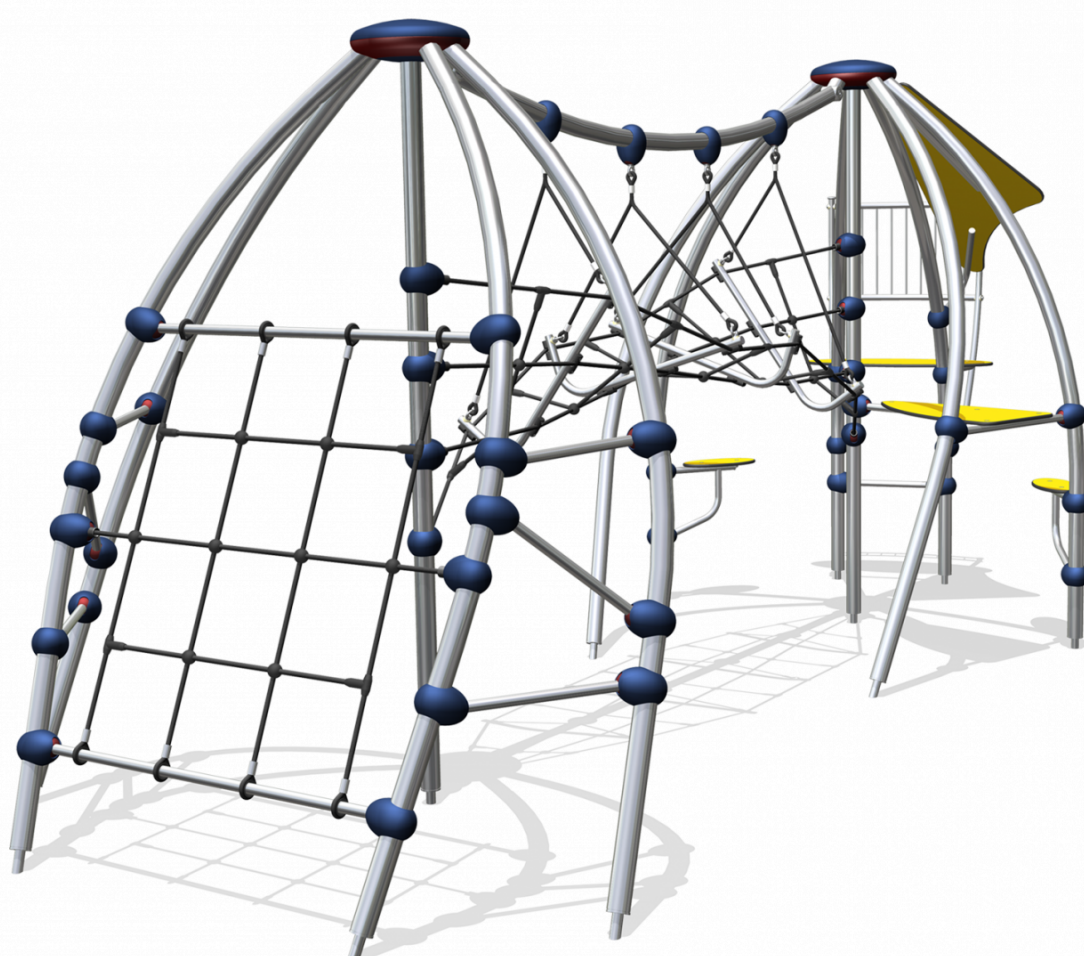
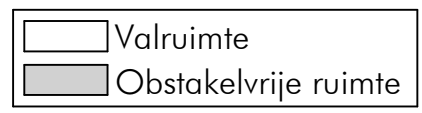
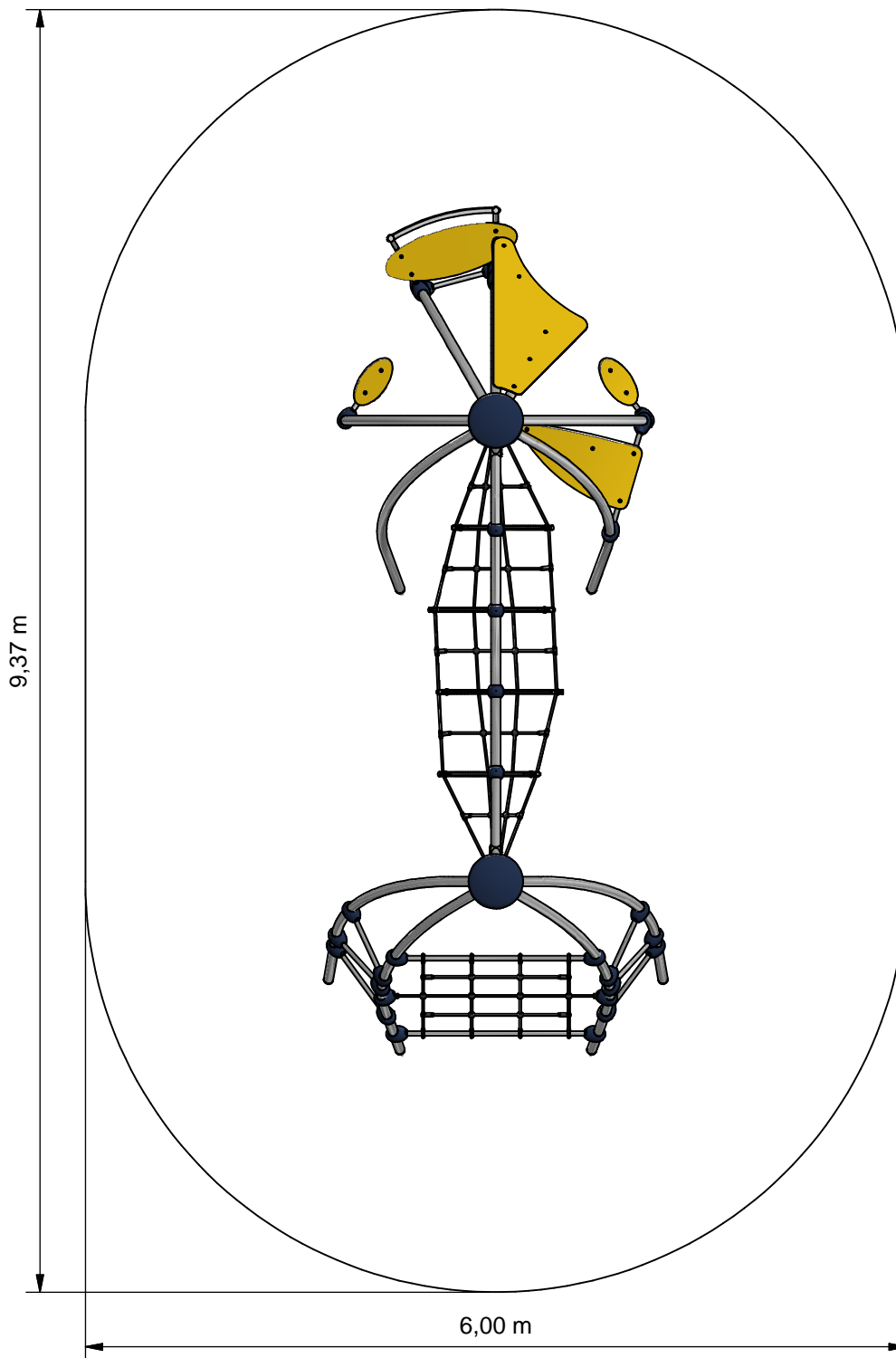




# Pioneer Diocles 001



**PNRE020.001**

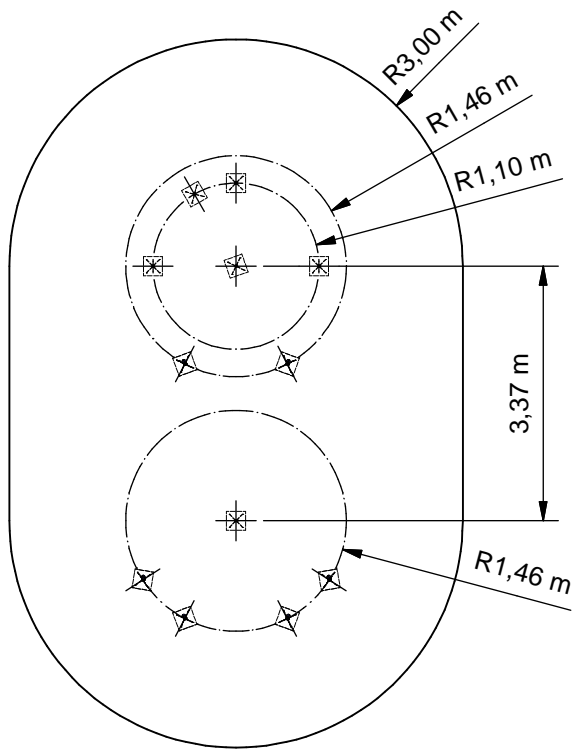


Benaming / Title: Pionier  
 Opmerking / Comment: Diocles 001  
 Datum / Date: 14-12-2011

Tekening / Drawing

**TOE PNR 020 001**

**Obstakelvrije Ruimte** *Obstacle free zone*

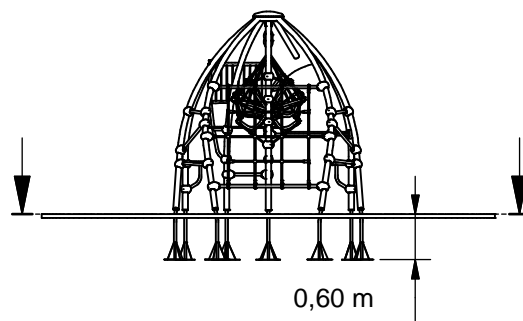
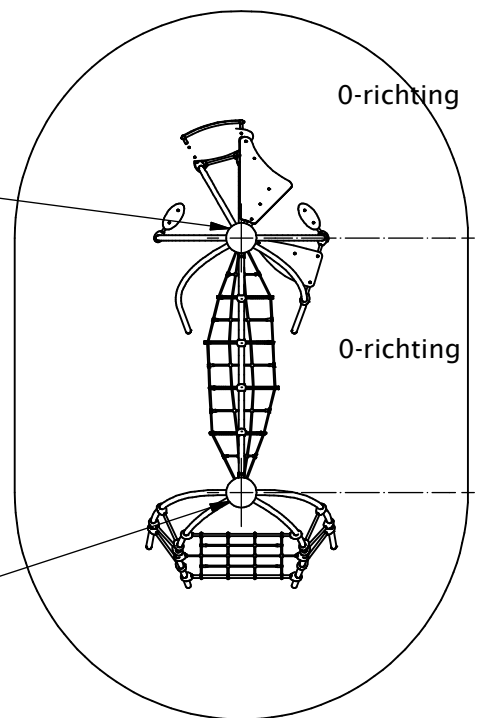


Topmodule A

Richting	Stand
0	3
2	3
3	3
4	3
6	3
7	4
9	9
11	2

Topmodule B

Richting	Stand
0	2
3	9
6	4
7	4
11	2



Benaming  
Title Pionier

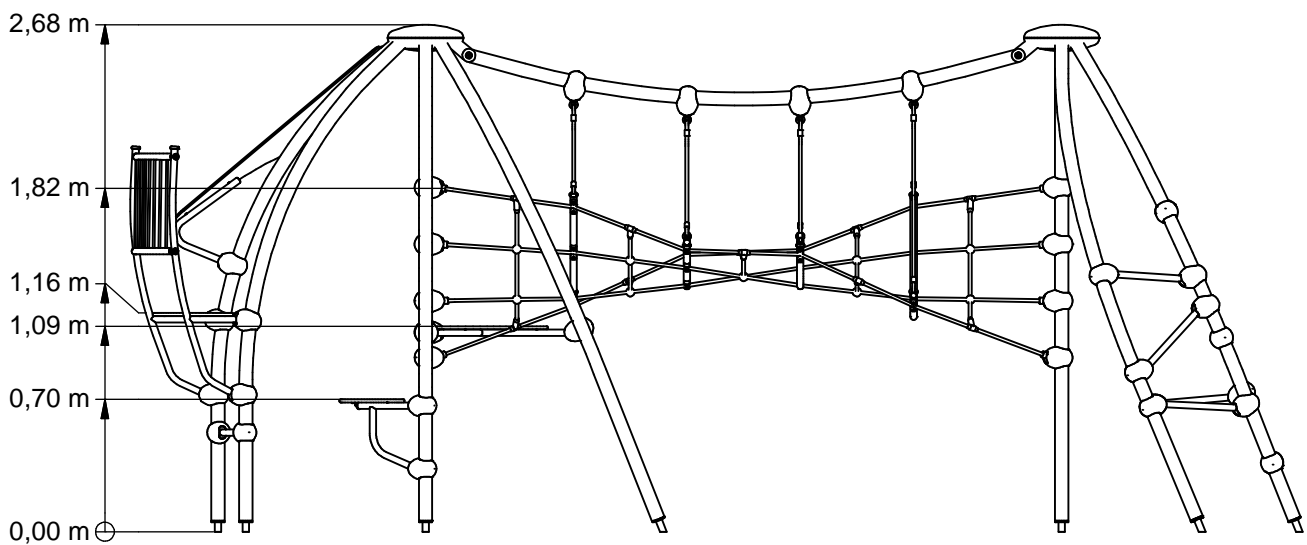
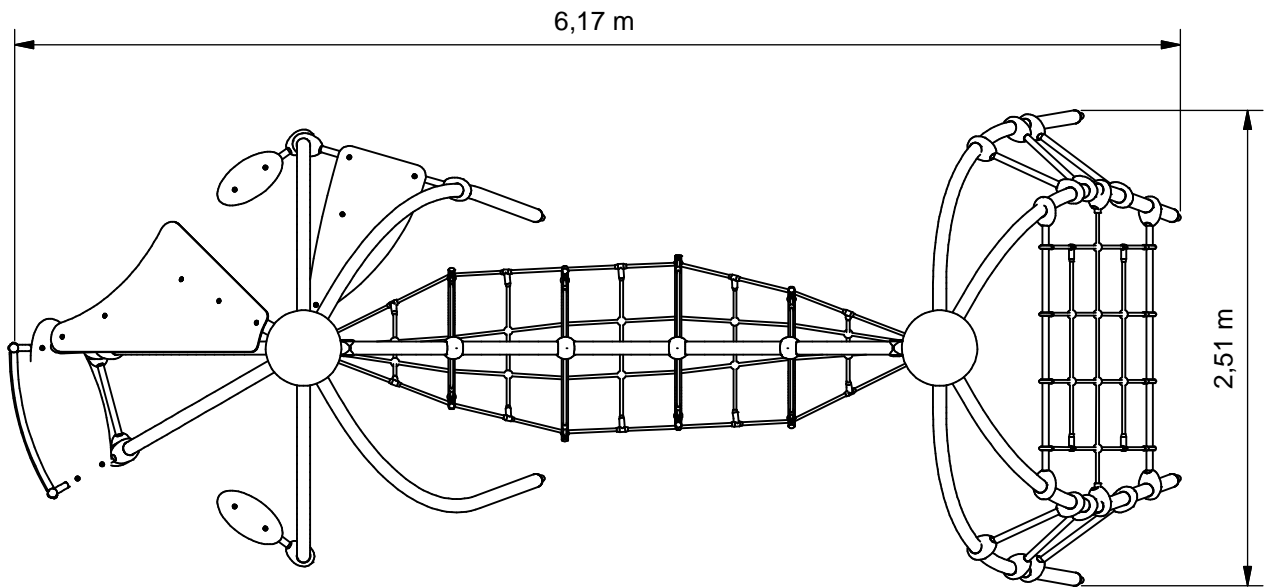
Opmerking  
Comment Diocles 001

Datum  
Date 14-12-2011

Tekening  
Drawing

TOE PNR 020 001

Bodemplan *Groundplan*



Benaming  
Title Pionier

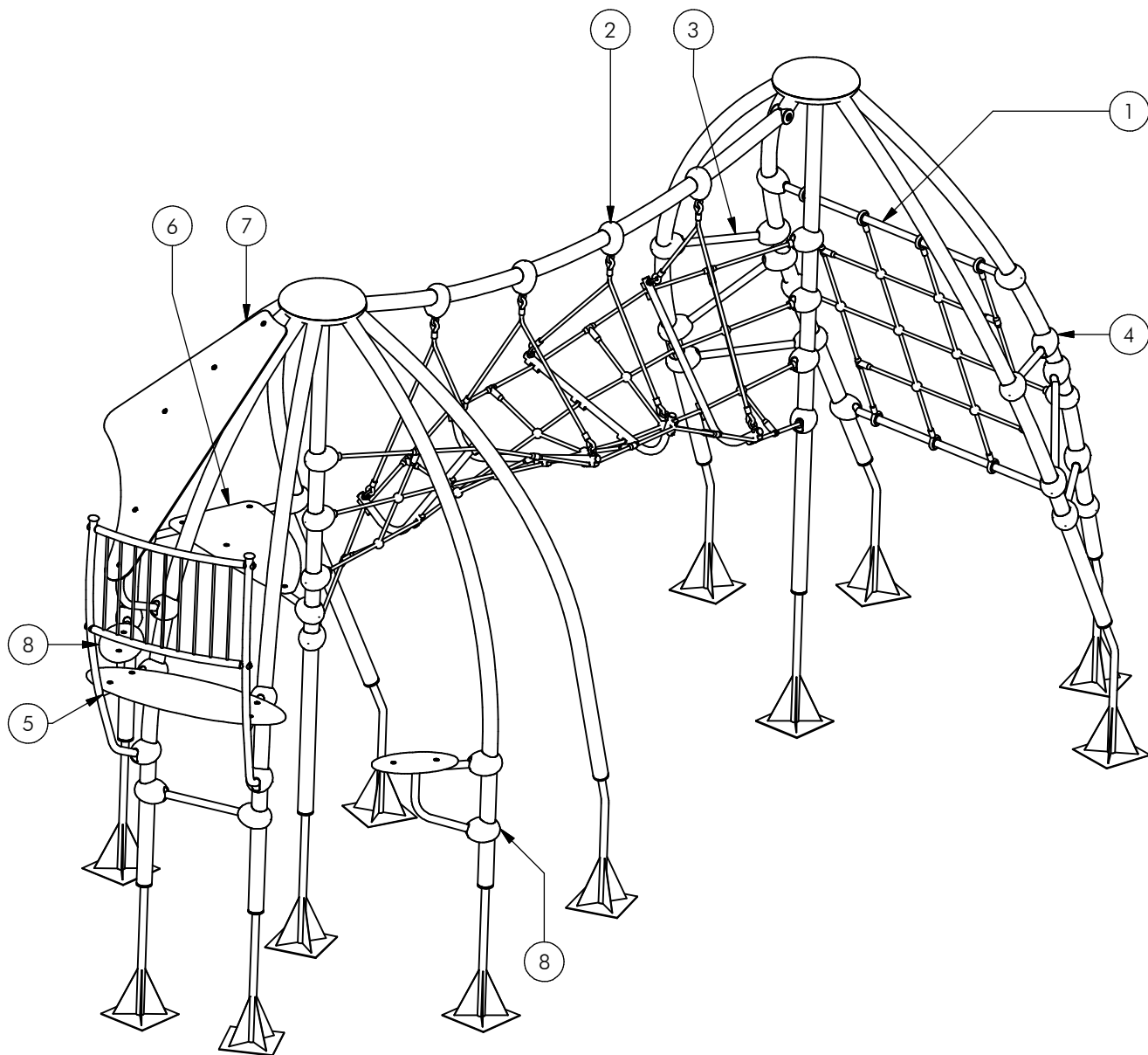
Opmerking  
Comment Diocles 001

Datum  
Date 14-12-2011

Tekening  
Drawing

**TOE PNR 020 001**

*Afmetingen Dimensions*



8	2	MOD	PNR	323	000	Zitje	Recht	
7	1	MOD	PNR	319	003	Dakplaat	Links	
6	1	MOD	PNR	317	213	Vloer	Bol	
5	1	MOD	PNR	316	313	Balkon	Hoog	
4	1	MOD	PNR	310	414	Buizenwand	Schuin	
3	1	MOD	PNR	310	212	Buizenwand	Schuin	
2	1	MOD	PNR	306	393	Twistnet	Doorgedraaid	
1	1	MOD	PNR	301	442	Klimnet	442	
POS	N	TYPE	PROJ.	NR.	BEH.	R	BENAMING	OPMERKING

# PNRE020.001

Pioneer Diocles 001

## LOGBOOK

(Onderstaand logboek kan gebruikt worden om te voldoen aan de eisen, gesteld in artikel 14 van het Warenwetbesluit Attractie- en Speeltoestellen)

Type indication	Pioneer Play
Product code	PNRE020.001
Name of equipment	Pionier Diocles 001
Maximum height of fall	1,9 m
Year of construction	2017
Certificate	05200116226
inspection authority	Liftinstituut B.V. Buikslotermeerplein 381, A'dam - 1025 XE Amsterdam
Name manufacturer	BOERplay Hyacintstraat 2 - 4255 HX Nieuwendijk Phone: +31 (0)183 40 23 66 Fax: +31 (0)183 40 35 64
name installer	_____ _____
Description of equipment	Pioneer Diocles 001
Location of equipment	_____
Data about the owner of the play equipment	
Name:	_____
Address:	_____
Postcode and town:	_____
Contact person:	_____
Telephone number:	_____
Data about the administrator of the play equipment	
Name:	_____
Address:	_____
Postcode and town:	_____
Contact person:	_____
Telephone number:	_____

# LOGBOOK

## Inspection and maintenance intervals



Nr.	Inspection	Maintenance	months between inspections
1	Verify equipment's stability, junctions and missing parts. Inspect bolts, screws and nuts for absence, jams, corrosion and wear.	Add missing parts, secure joints, apply missing fixing agent and replace corroded parts.	1
2	Check suspension for wear.	Replace worn parts and/or remove non-functioning parts.	1
3	Inspect rotating parts such as hinges, rolling-element bearings, etc. for wear and acceptability.	Replace worn parts and/or remove non-functioning parts.	1
4	Check wood for splinters, unacceptable damage and signs of rot. Especially at ground level.	Repair damage. Replace affected wood. Smoothen splintered wood and sharp edges.	1
5	Inspect foundation for stability, tearing and coverage.	Restore foundation and covering material.	3
6	Examine rubber and synthetic parts for wear, damage and break.	Replace original parts.	3
7	Inspect metal for corrosion and damage in the coating.	Restore any damaged coating (after removing rust and applying primer).	6
8	Check ropes, cables, chains and nets for wear and damage. Steel cables and nets which are tensioned must be checked for tension.	Replace parts where necessary. Steel cables and nets must be tensioned.	3
9	Inspect equipment for unsafe changes and additions.	Remove unsafe additions and correct unsafe changes.	1
10	Inspect safety surfaces.	Restore and repair where necessary.	1

## Remarks

1. If used intensively, all points require extra attention.
2. Extreme weather conditions and locations may require a higher inspection frequency. Discuss this with the supplier.
3. Vandalism-sensitive locations require stricter inspections, possibly daily.
4. Check the terrain regularly for items that do not belong there, are unsafe or may be used wrongly. Examples are poisonous plants, glass shards, etc. Frequency depends on strain.
5. Remember that bad maintenance leads to unsafe conditions and notably faster impoverishment of the playground area.
6. Replacement parts can be ordered at the manufacturer with the part numbers on the module drawing. Drawings can be found in de user guide.
7. The impact area shall be provided with impact attenuating surface according to the specified falling height.
8. This list is conform the CEN-standard "playground equipment and surfacing NEN-EN 1176-7".

# TYPE-EXAMINATION CERTIFICATE

Acting under the " Warenwetbesluit Attractie- en Speeltoestellen" issued by Liftinstituut B.V.  
commissioned by departmental order, no. VGP/P&L 2456476 from 17 march 2004.

Certificate nr. : NL 05-2001-162-26 Revision nr.: 200116226

Description of the product : Playground equipment, Pionier

Trademark, type : Speelwijzer, PNR.....

Name and address of the manufacturer : Speelwijzer / Dhr R. van Veen  
Postbus 345  
5300 AH Zaltbommel

Name and address of the certificate holder : Speelwijzer / Dhr R. van Veen  
Postbus 345  
5300 AH Zaltbommel

Certificate issued on the basis of the following requirements : Warenwetbesluit Attractie- en Speeltoestellen 3 september 1996

Test laboratory : None

Date and number of the laboratory report : None

Date of type-examination : - t/m -

Annexes with this certificate :

Additional remarks :

Conclusion : The playground equipment meets the requirements of the above specified European standard(s) and "Warenwetbesluit Attractie- en Speeltoestellen" taking into account any additional remarks mentioned above.

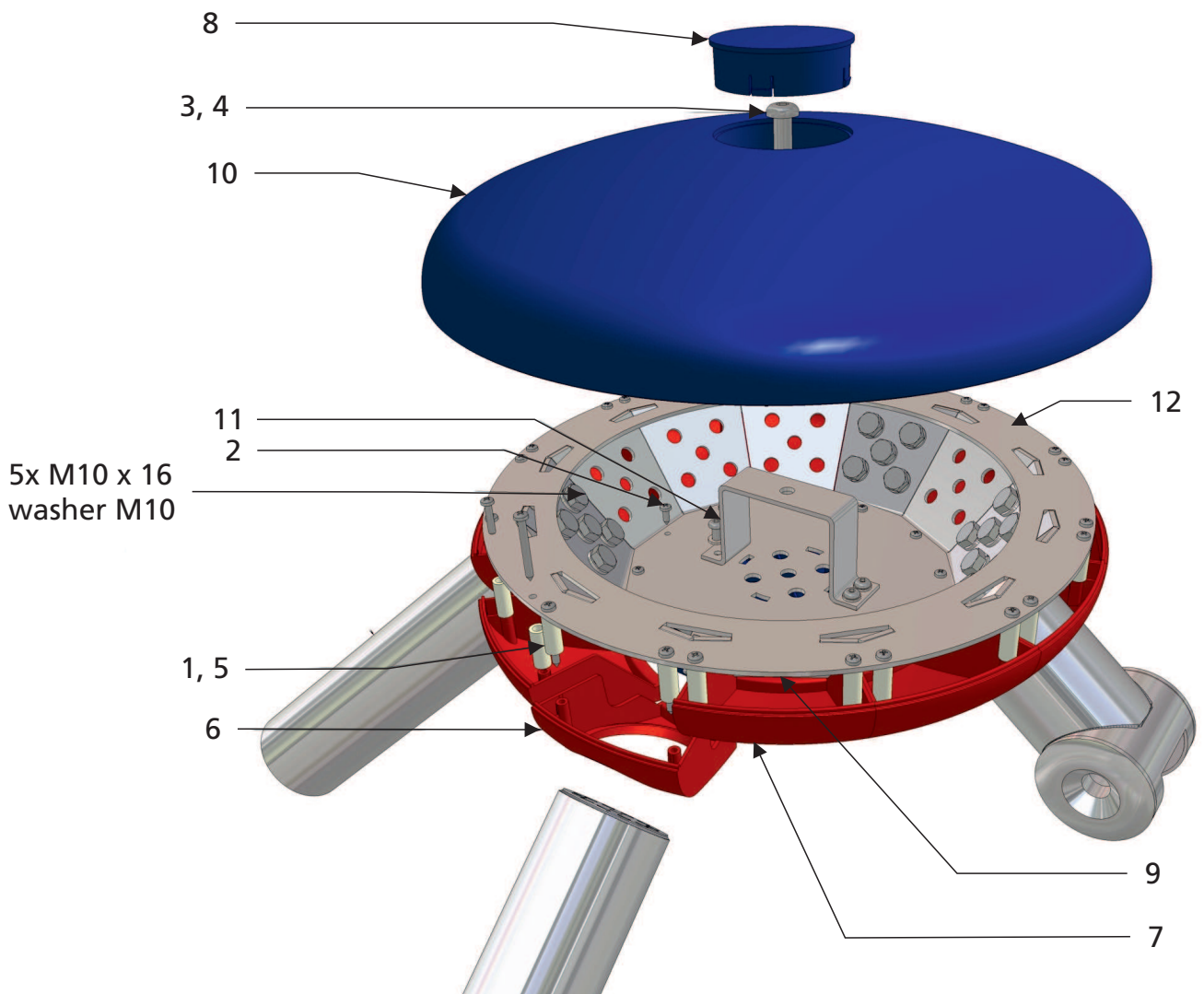


Issued in Amsterdam

Date of issue : Januari 28<sup>th</sup>, 2005

M. Dougué  
Director  
Liftinstituut B.V.





12	1	SME	PNR	003	320	D	TOPMODULE	STAALDEEL
11	1	OME	PNR	020	320	A	BEUGEL	TOPMODULE
10	1	KST	PNR	902	001	-	BOVENDEKSEL	TOPMODULE
9	1	KST	PNR	902	002	-	ONDERDEKSEL	TOPMODULE
8	2	KST	PNR	902	003	-	VULDOP	TOPMODULE
7	12	KST	PNR	902	005	-	WISSELDEEL DICHT	TOPMODULE
6	0	KST	PNR	902	004	-	WISSELDEEL OPEN	TOPMODULE
5	24	KST	BUS	006	025	-	AFSTANDBUS	NYLON
4	1	BSR	034	010	002	-	VEERING	M10
3	1	BSR	023	010	040	-	BOLKOPSCHROEF	M10 x 40
2	12	BSR	003	004	012	-	PANCIL. SCHROEF	4 x 12
1	24	BSR	003	004	040	-	PANCIL. SCHROEF	4 x 40
POS	N	TYPE	PROJ.	NR.	BEH.	R	BENAMING	OPMERKING

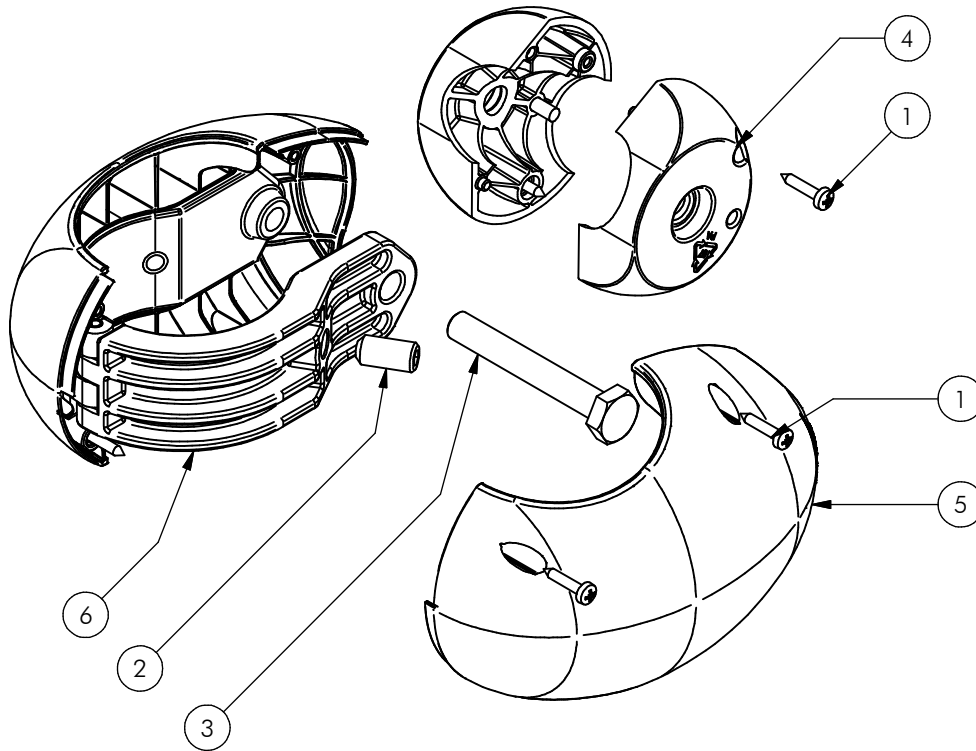
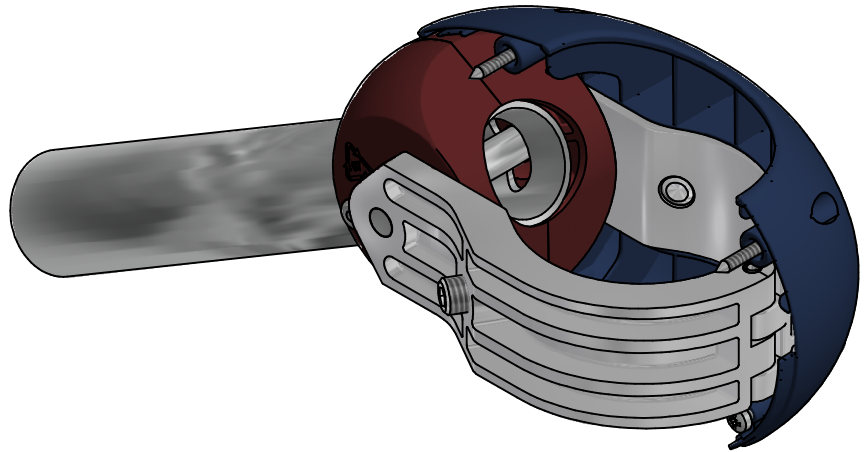


Benaming Title Topmodule  
 Opmerking Comment Pionier  
 Datum Date 5-10-2009

Tekening Drawing

MOD PNR 001 000

Samenstelling module Assembly module



Nr	#	Type	Progr.	Volgnr	Bew.	Rev.	Benaming	Opmerking
1	6	BSR	005	004	019		Zelfb. schroef	3,5 x 19 - RVS A2-70
2	2	BSR	007	010	020		STELSCHROEF	KRATER M10x20
3	1	BSR	021	010	070		Zeskantbout	M10 x 70 - RVS A2-70
4	2	KST	PNR	010	PA6		Vulbol helft	Pionier 2010
5	2	KST	PRO	901	001	C	Schaaldeel Ei	Pionier
6	1	SME	PNR	059	ALU		Beugel compleet	Ei-koppeling



Benaming  
Title Sumbmodule

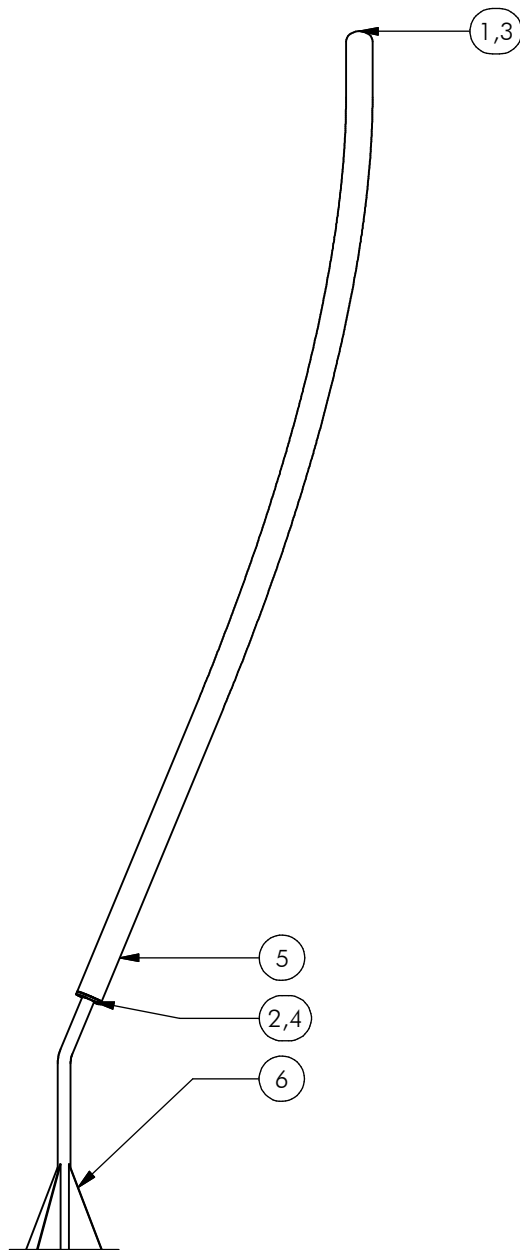
Opmerking  
Comment EI 05

Datum  
Date 13-7-2009

Tekening  
Drawing

# SMD PNR 005 000

Samenstelling module Assembly module



6	1	SME	PNR	011	320	B	GRONDANKER	KNIK
5	1	SME	PNR	001	320	B	STAANDER LANG	50 GRADEN
4	4	KST	DOP	006	030	-	OPVULDOPJE	ZESKANT 6MM
3	5	BSR	030	010	002	-	Sluitring M10	DIN 125
2	4	BSR	027	008	020	-	CILINDERKOPSCHROEF	M8 x 20
1	5	BSR	021	010	016	-	ZESKANTBOUT	M10 x 16
POS	N	TYPE	PROJ.	NR.	BEH.	R	BENAMING	OPMERKING



Benaming  
Title | Staander \_\_\_\_\_

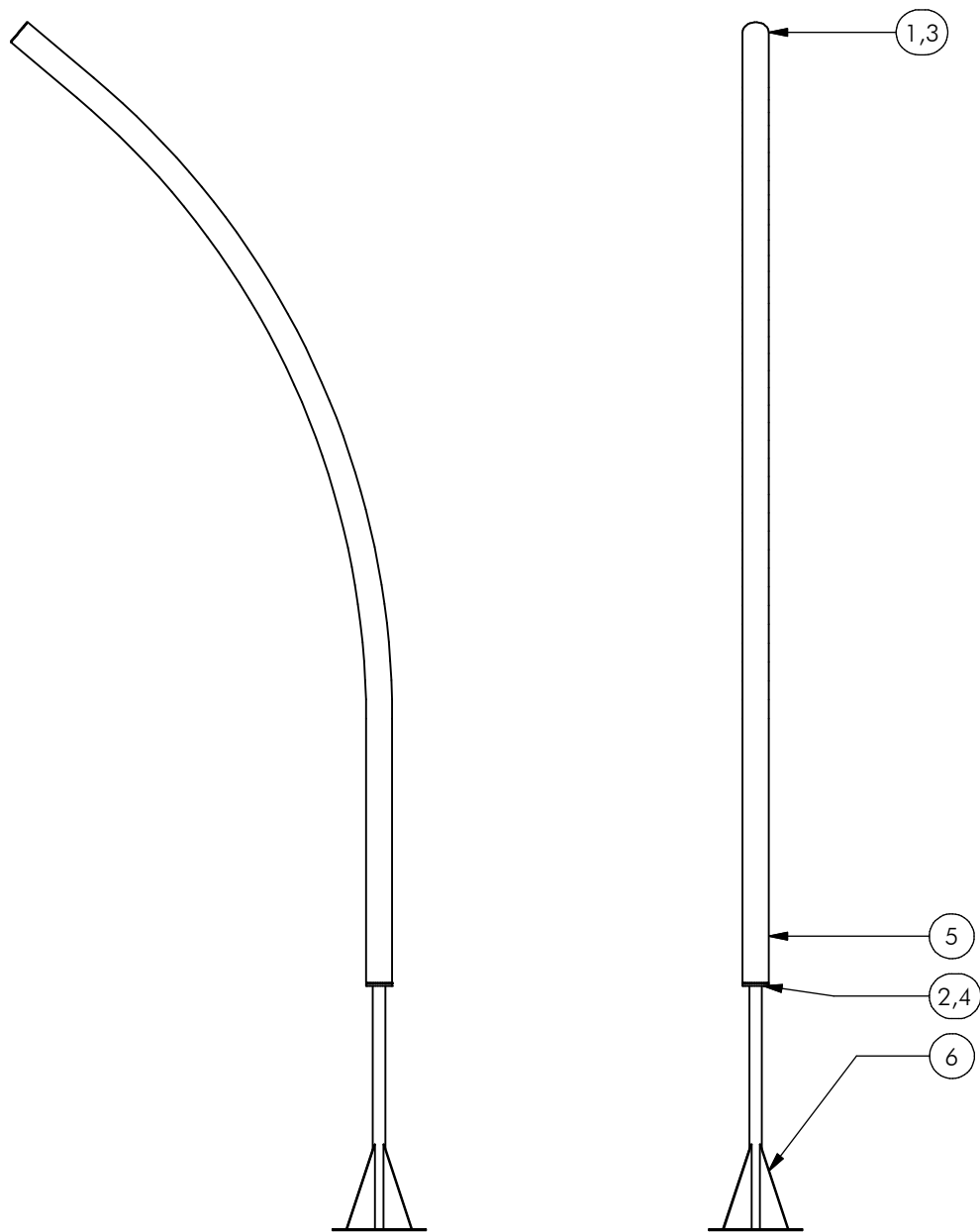
Opmerking  
Comment | Stand 2 \_\_\_\_\_

Datum  
Date | 8-1-2009 \_\_\_\_\_

Tekening  
Drawing

**MOD PNR 002 000**

**Samenstelling module Assembly module**



6	1	SME	PNR	007	320	C	GRONDANKER	RECHT
5	1	SME	PNR	002	320	B	STAANDER KORT	50 GRADEN
4	4	KST	DOP	006	030	-	OPVULDOPJE	ZESKANT 6MM
3	5	BSR	030	010	002	-	Sluitring M10	DIN 125
2	4	BSR	027	008	020	-	CILINDERKOPSCHROEF	M8 x 20
1	5	BSR	021	010	016	-	ZESKANTBOUT	M10 x 16
POS	N	TYPE	PROJ.	NR.	BEH.	R	BENAMING	OPMERKING



Benaming  
Title: Staander

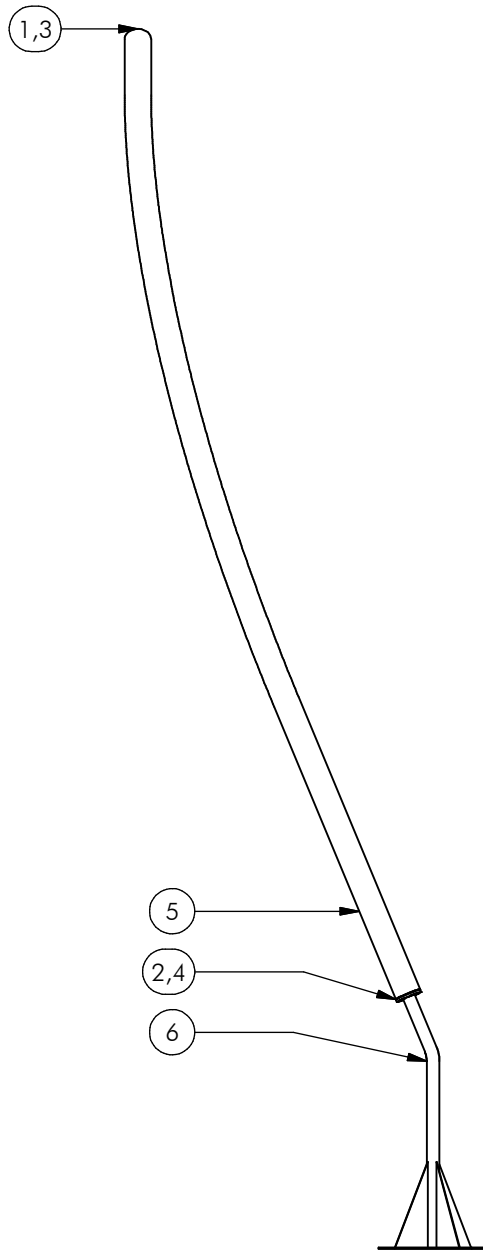
Opmerking  
Comment: Stand 3

Datum  
Date: 8-1-2009

Tekening  
Drawing

**MOD PNR 003 000**

Samenstelling module *Assembly module*



6	1	SME	PNR	011	320	B	GRONDANKER	KNIK
5	1	SME	PNR	001	320	B	STAANDER LANG	50 GRADEN
4	4	KST	DOP	006	030	-	OPVULDOPJE	ZESKANT 6MM
3	5	BSR	030	010	002	-	Sluitring M10	DIN 125
2	4	BSR	027	008	020	-	CILINDERKOPSCHROEF	M8 x 20
1	5	BSR	021	010	016	-	ZESKANTBOUT	M10 x 16
POS	N	TYPE	PROJ.	NR.	BEH.	R	BENAMING	OPMERKING



Benaming  
Title | Staander

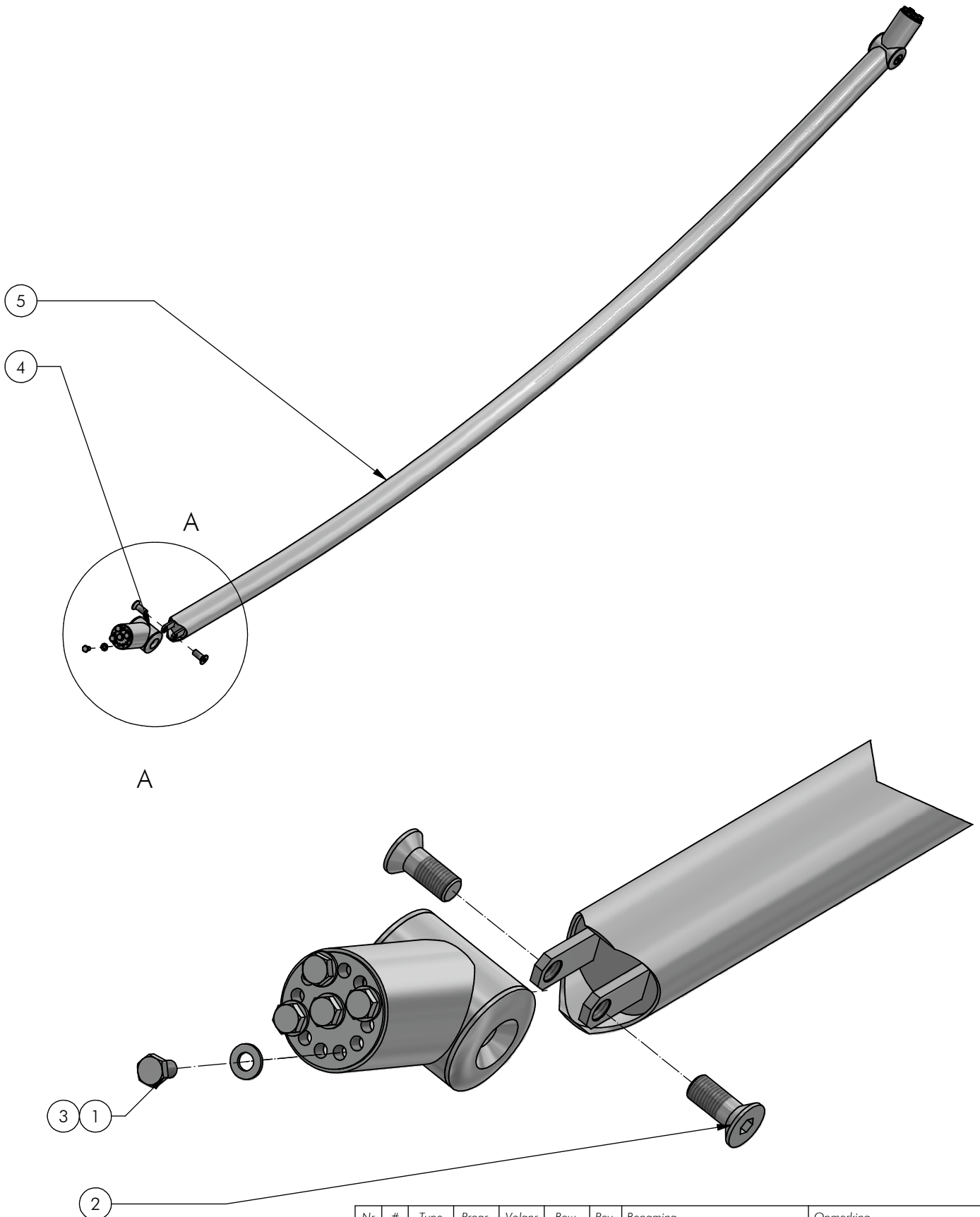
Opmerking  
Comment | Stand 4

Datum  
Date | 8-1-2009

Tekening  
Drawing

**MOD PNR 004 000**

**Samenstelling module Assembly module**



Nr	#	Type	Progr.	Volgnr	Bew.	Rev.	Benaming	Opmerking
1	10	BSR	021	010	016		Zeskantbout	M10 x 16 - RVS A2-70
2	4	BSR	024	016	040		Verzonken bout	M16 x 40 - RVS A2-70
3	10	BSR	030	010	002		SLUITRING	M10
4	2	SME	PNR	004	320	B	KOPPELSTUK	TUSSENBUIS
5	1	SME	PNR	006	320	D	MIDDENDEEL	KOPPELBUIS



Benaming  
Title TUSSENBUIS

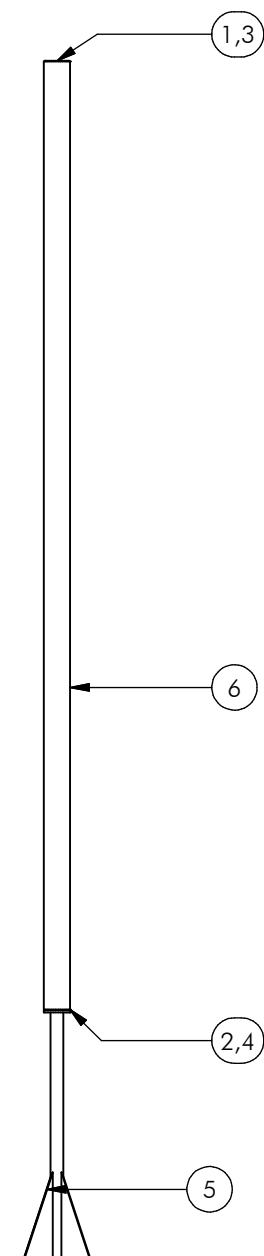
Opmerking  
Comment STAND 393

Datum  
Date 30-11-2004

Tekening  
Drawing

**MOD PNR 005 000**

Samenstelling module *Assembly module*



6	1	SME	PNR	010	320	D	MIDDENSTAANDER	RECHT
5	1	SME	PNR	007	320	C	GRONDANKER	RECHT
4	4	KST	DOP	006	030	-	OPVULDOPJE	ZESKANT 6MM
3	5	BSR	030	010	002	-	Sluitring M10	DIN 125
2	4	BSR	027	008	020	-	CILINDERKOPSCHROEF	M8 x 20
1	5	BSR	021	010	016	-	ZESKANTBOUT	M10 x 16
POS	N	TYPE	PROJ.	NR.	BEH.	R	BENAMING	OPMERKING



Benaming  
Title: Staander

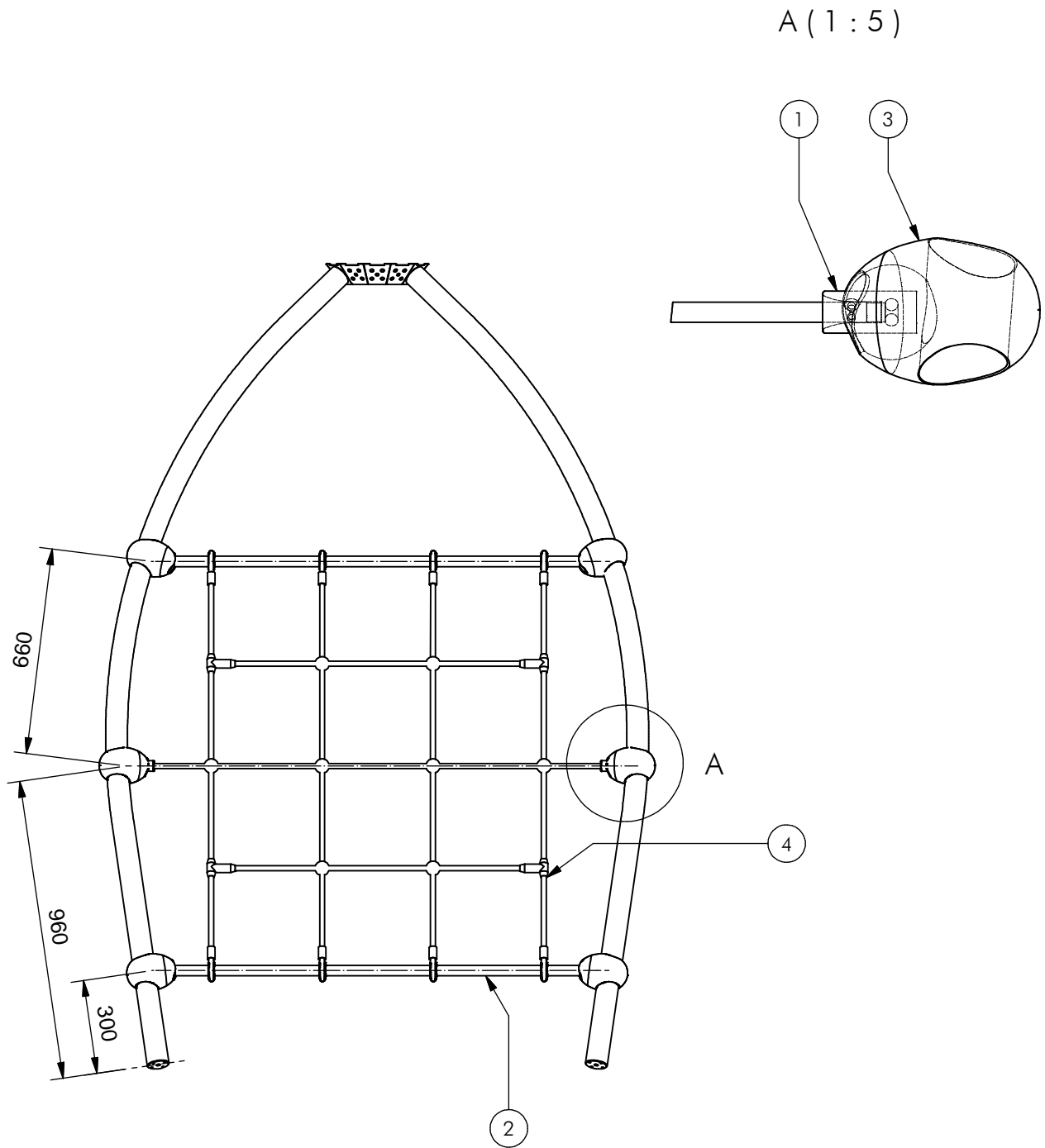
Opmerking  
Comment: Midden stand 0

Datum  
Date: 8-1-2009

Tekening  
Drawing

**MOD PNR 010 000**

Samenstelling module *Assembly module*



4	1	SNT	PNR	002	016	B	Klimnet	Vertikaal 432
3	6	SMD	PNR	005	000		Submodule	EI 05
2	2	OME	PNR	104	320	A	Netbuis	Groot net 432
1	2	KST	PNR	011	POM		Insteek Netbus	tbv "EI 05"
POS	N	TYPE	PROJ.	NR.	BEH.	R	BENAMING	OPMERKING



Benaming  
Title Klimnet

Opmerking  
Comment 442

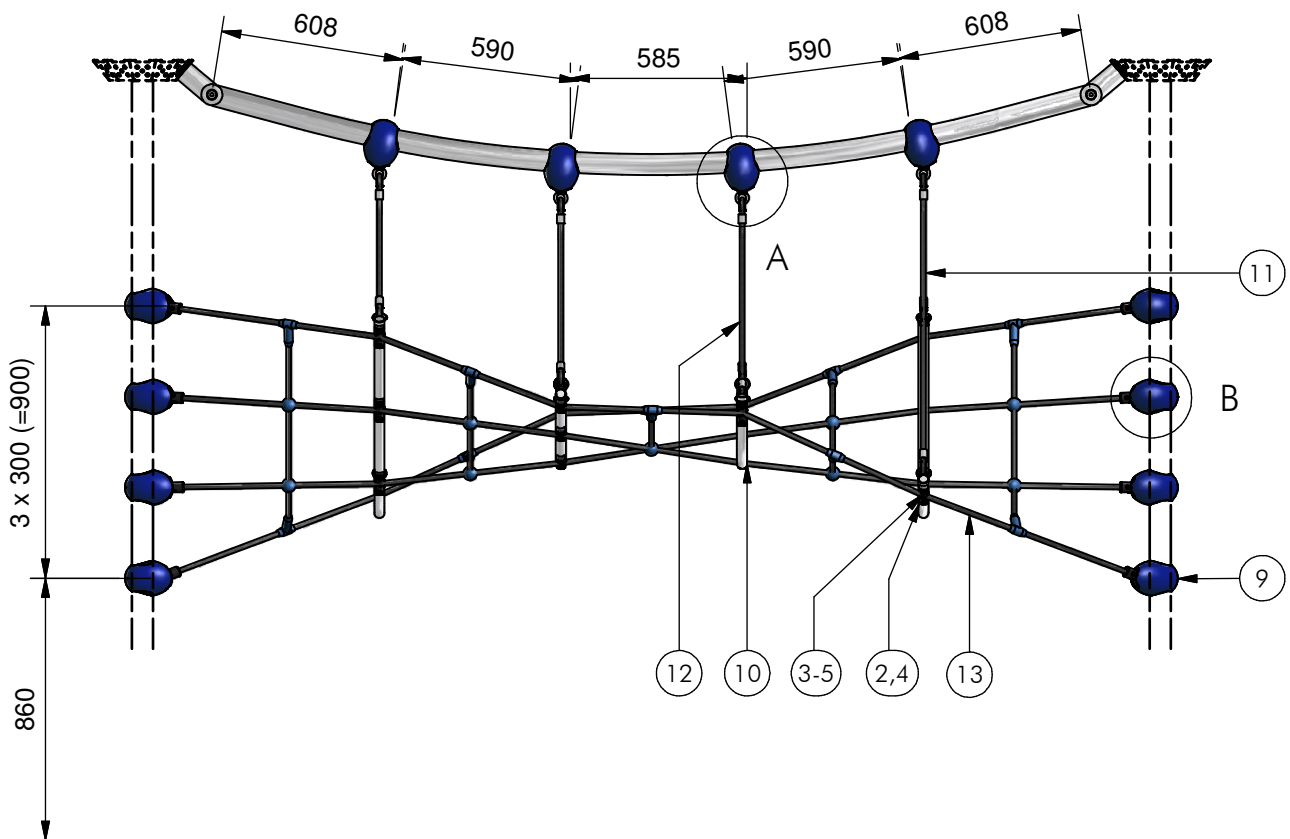
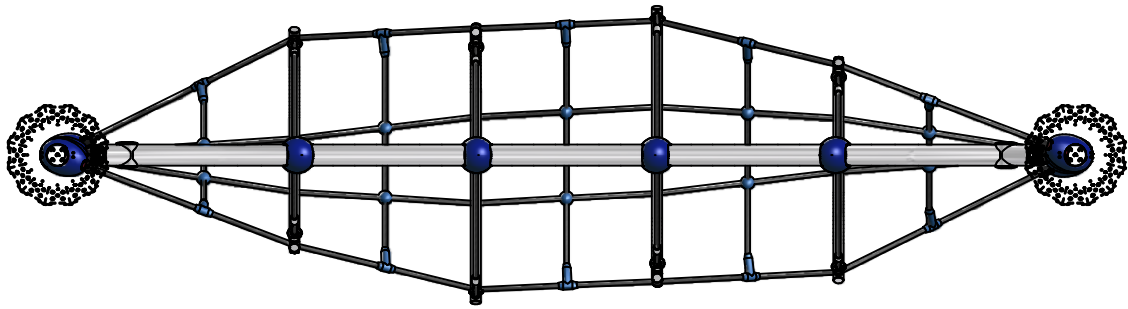
Datum  
Date 12-8-2010

Tekening  
Drawing

**MOD PNR 301 442**

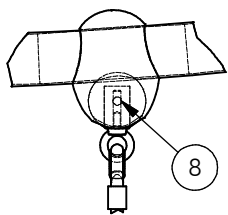
Samenstelling module *Assembly module*



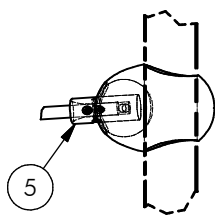


Nr	#	Type	Progr.	Volgnr	Bew.	Rev.	Benaming	Opmerking
1	16	BSR	002	004	025		Schroef Assy	4 x 25 - RVS A2-70
2	24	BSR	002	005	030		Schroef Assy	5 x 30 - RVS A2-70
3	8	BSR	023	010	050		Bolkopbout ISO 7380	M10 x 50 - RVS A2-70
4	24	BSR	023	010	025		BOLKOP SCHROEF	ISO 7380 - M10 x 25
5	8	KST	PNR	011	POM	A	Insteek Netbus	tbv "EI 05"
6	16	KST	PNR	904	001	A	KLEMBLOK	TWISTNET
7	8	KST	T33	010	000		ZADELRING	BUIS 33.7
8	4	OME	PNR	394	304		Insteek Draadbus	tbv "EI 05"
9	12	SMD	PNR	005	000		Submodule	EI 05
10	4	SME	PNR	012	320	B	NETBUIS	TWIST
11	2	SNT	PNR	008	016	B	OPHANGTOUW_A	TWISTNET
12	2	SNT	PNR	009	016	B	OPHANGTOUW_B	TWISTNET
13	1	SNT	PNR	010	016	B	KLIMNET	TWIST

A (1:10)



B (1:10)



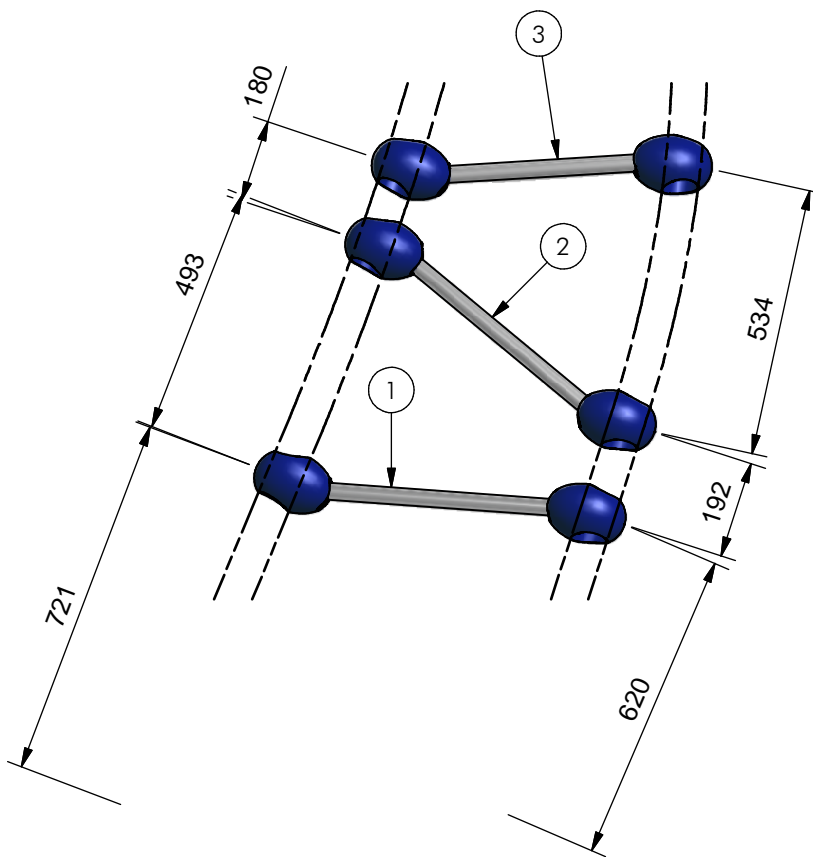
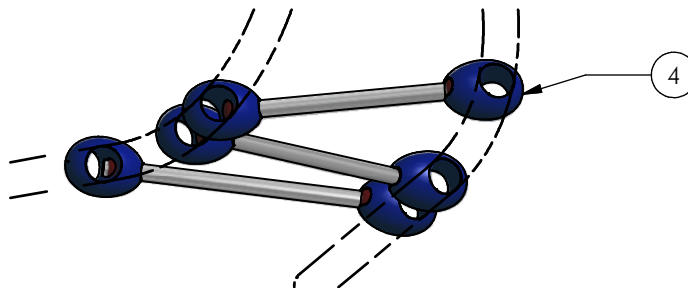
Benaming  
Title Twistnet

Opmerking  
Comment Doorgedraaid

Datum  
Date 8-1-2009

Tekening  
Drawing

**MOD PNR 306 393 A**  
**Samenstelling module Assembly module**



Nr	#	Type	Progr.	Volgnr	Bew.	Rev.	Benaming	Opmerking
1	1	OME	PNR	130	053		Klimstang PNR 33.7x2	Lengte 530 cm HOH
2	1	OME	PNR	130	050		Klimstang PNR 33.7x2	Lengte 500 cm HOH
3	1	OME	PNR	130	044		Klimstang PNR 33.7x2	Lengte 440 cm HOH
4	6	SMD	PNR	005	000		Submodule	EI 05

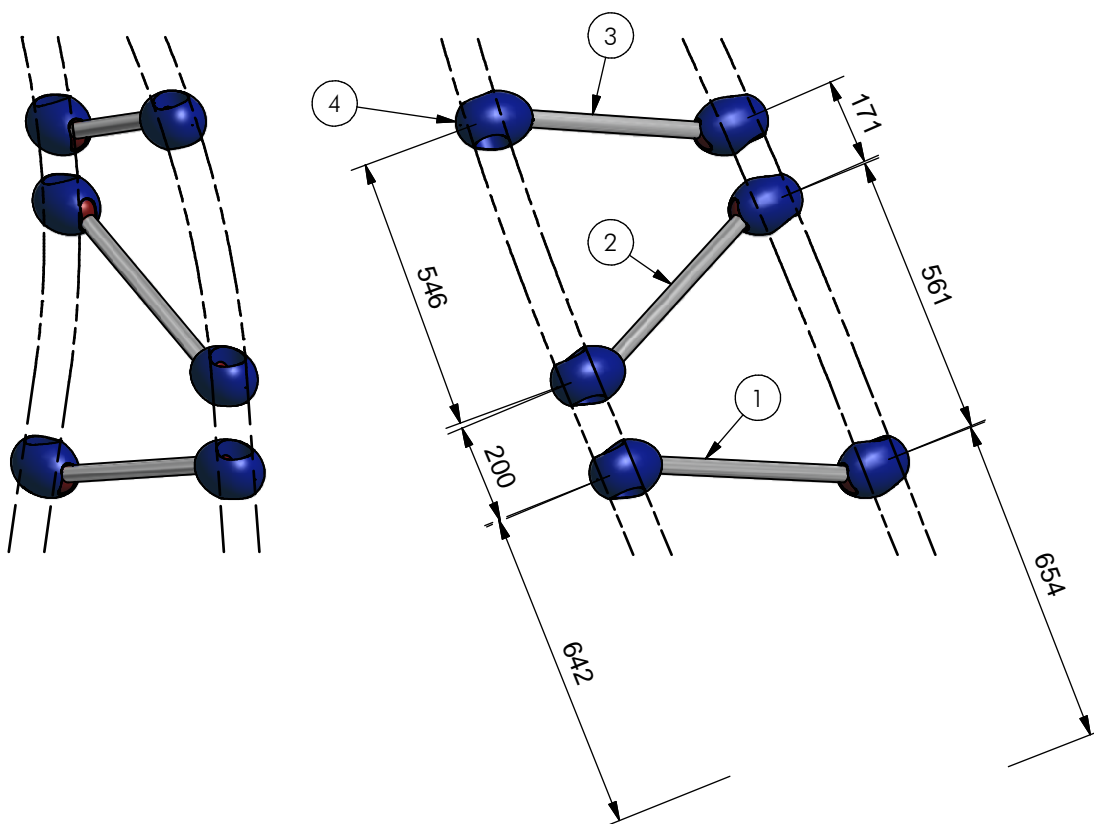


Benaming Title: Buizenwand  
 Opmerking Comment: Schuin  
 Datum Date: 8-1-2009

Tekening Drawing

**MOD PNR 310 212**

Samenstelling module Assembly module



Nr	#	Type	Progr.	Volgnr	Bew.	Rev.	Benaming	Opmerking
1	1	OME	PNR	130	053		Klimstang PNR 33.7x2	Lengte 530 cm HOH
2	1	OME	PNR	130	050		Klimstang PNR 33.7x2	Lengte 500 cm HOH
3	1	OME	PNR	130	044		Klimstang PNR 33.7x2	Lengte 440 cm HOH
4	6	SMD	PNR	005	000		Submodule	EI 05



Benaming  
Title Buizenwand

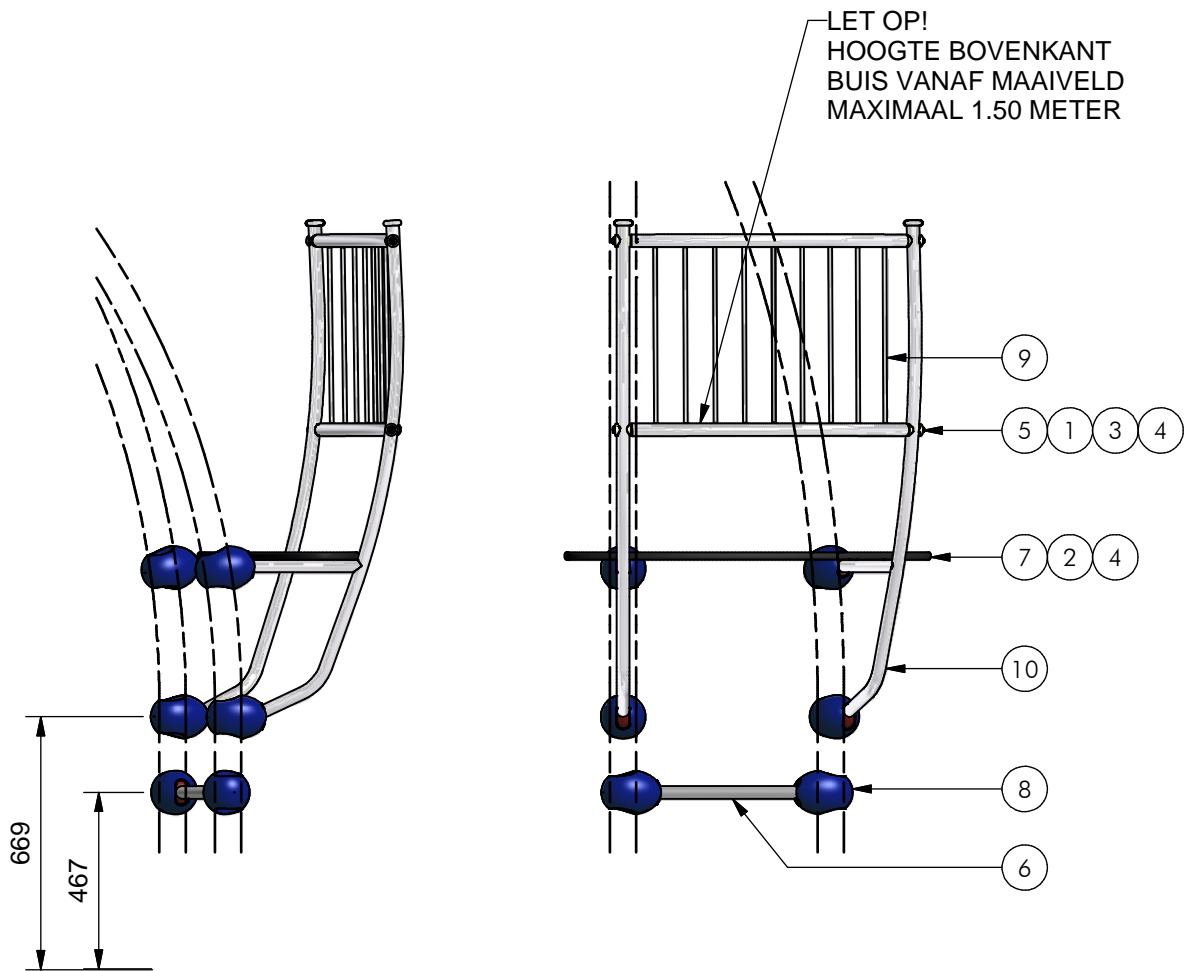
Opmerking  
Comment Schuin

Datum  
Date 8-1-2009

Tekening  
Drawing

**MOD PNR 310 414**

Samenstelling module *Assembly module*



Nr	#	Type	Progr.	Volgnr	Bew.	Rev.	Benaming	Opmerking
1	4	BSR	023	010	060		Bolkopbout ISO 7380	M10 x 60 - RVS A2-70
2	4	BSR	024	010	040		Verzonken bout	M10 x 40 - RVS A2-70
3	4	BSR	030	010	002		SLUITRING	M10
4	8	KST	DOP	006	030	-	OPVULDOOPJE	ZESKANT 6MM
5	8	KST	T33	010	000		ZADELRING	BUIS 33.7
6	1	OME	PNR	130	044		Klimstang PNR 33.7x2	Lengte 440 cm HOH
7	1	OPE	PNR	007	010	B	ZITPLAAT	BALKON
8	6	SMD	PNR	005	000		Submodule	EI 05
9	1	SME	PNR	016	320	B	BALKONHEK	BOOG
10	2	SME	PNR	017	320	F	Beugel	Balkoin



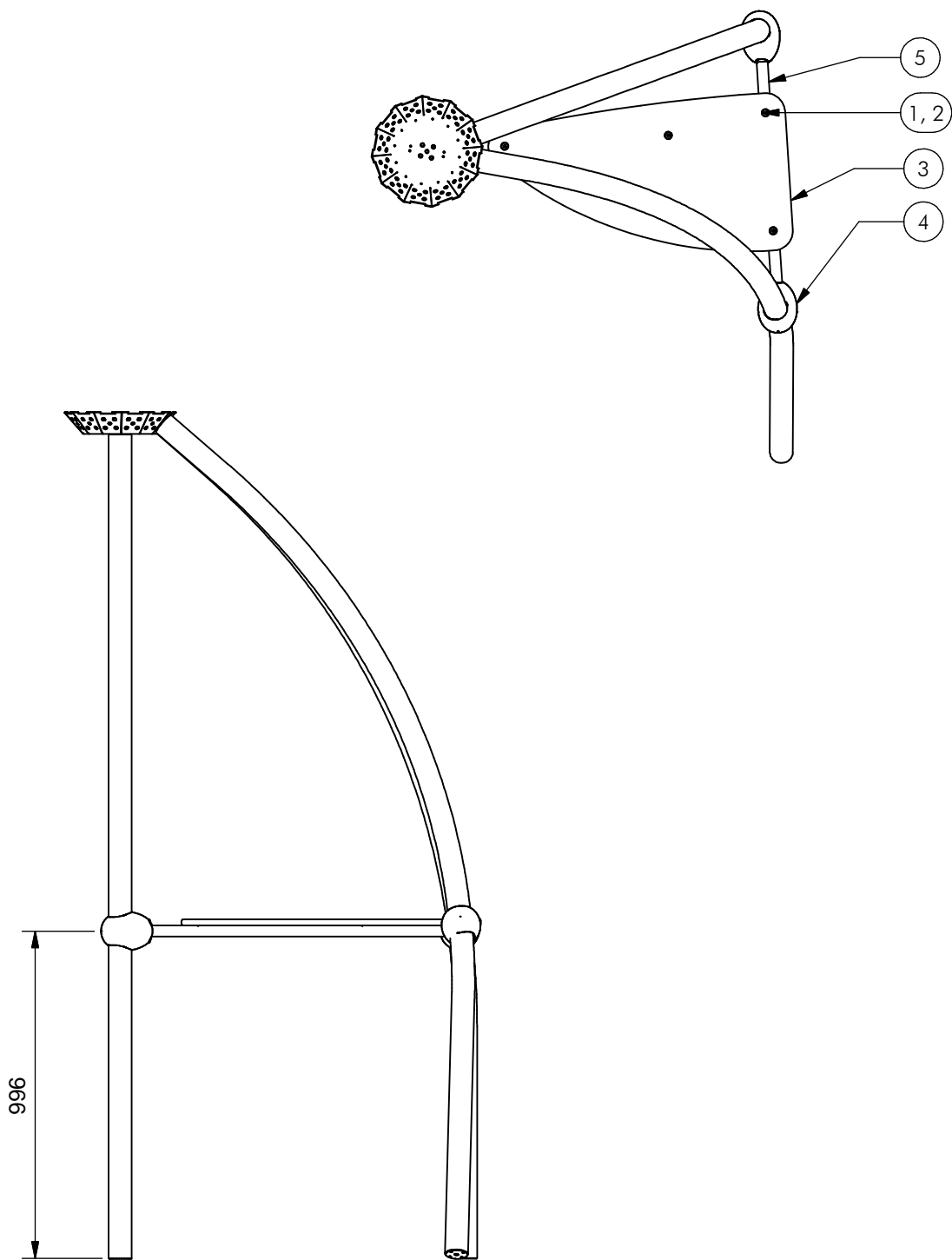
Benaming  
Title Balkon

Opmerking  
Comment Hoog

Datum  
Date 28-10-2013

Tekening  
Drawing

**MOD PNR 316 313 A**  
Samenstelling module Assembly module



5	1	SME	PNR	031	320	B	Frame	Vloerplaat bol
4	3	SMD	PNR	005	000		Submodule	EI 05
3	1	OPE	PNR	010	010	A	VLOERPLAAT	BOL
2	4	KST	DOP	006	030		OPVULDOPJE	6 MM ROOD
1	4	BSR	024	010	030		Verzonken bout	M10 x 30 - RVS A2-70
POS	N	TYPE	PROJ.	NR.	BEH.	R	BENAMING	OPMERKING



Benaming  
Title Vloer

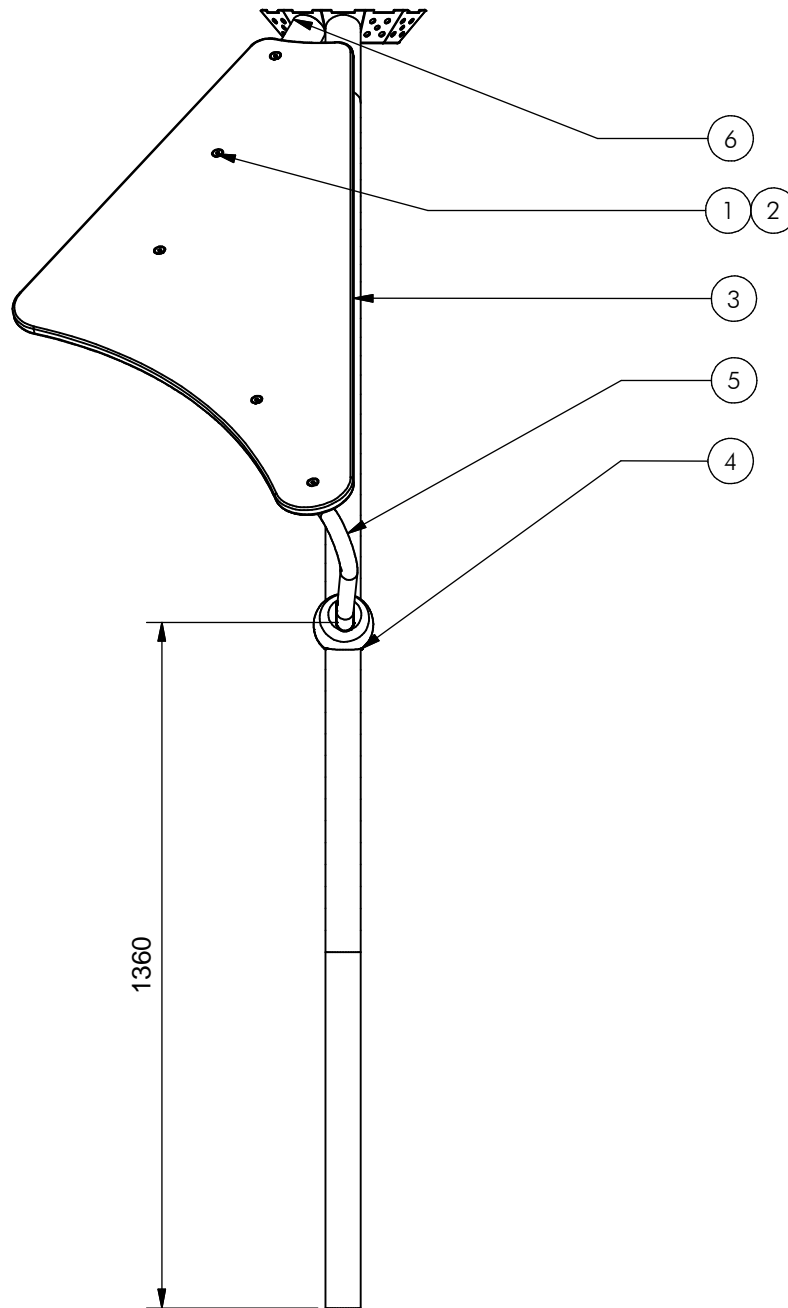
Opmerking  
Comment Bol

Datum  
Date 28-10-2013

Tekening  
Drawing

**MOD PNR 317 213 A**

Samenstelling module *Assembly module*



Nr	#	Type	Progr.	Volgnr	Bew.	Rev.	Benaming	Opmerking
1	5	BSR	024	010	030		Verzonken bout	M10 x 30 - RVS A2-70
2	5	KST	DOP	006	030	-	OPVULDOEJE	ZESKANT 6MM
3	1	OPE	PNR	009	010	C	DAKPLAAT	LINKS
4	1	SMD	PNR	005	000		Submodule	EI 05
5	1	SME	PNR	015	320	C	Dakbeugel	Onder
6	1	SME	PNR	021	320	A	DAKBUIS	LINKS

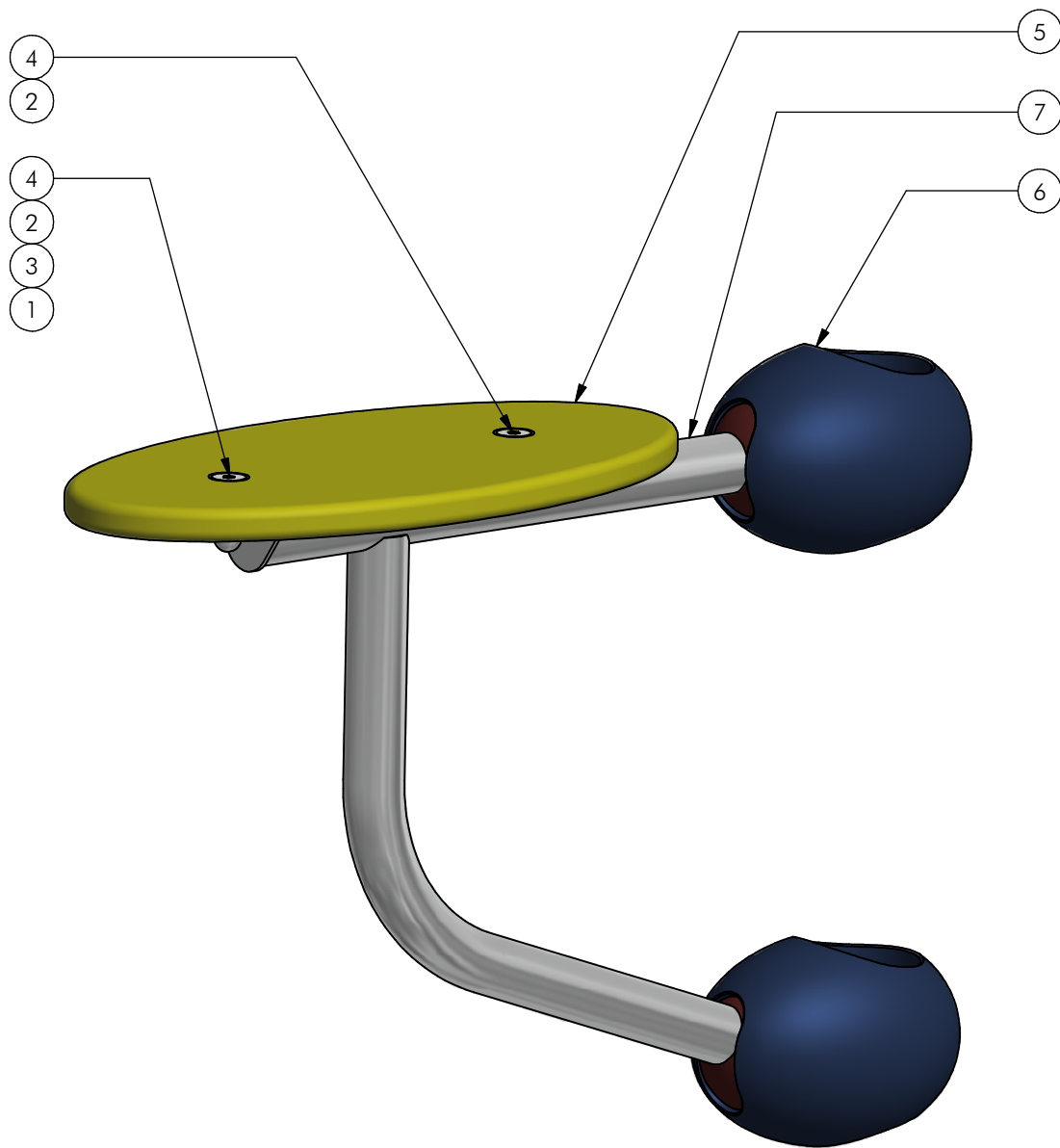


Benaming Title Dakplaat  
 Opmerking Comment Links  
 Datum Date 16-2-2017

Tekening Drawing

**MOD PNR 319 003 B**

Samenstelling module Assembly module



Nr	#	Type	Progr.	Volgnr	Bew.	Rev.	Benaming	Opmerking
1	1	BSR	011	010	020		Borgdopmoer	M10 - RVS A2-70
2	2	BSR	024	010	030		Verzonken bout	M10 x 30 - RVS A2-70
3	1	BSR	030	010	002		SLUITRING	M10
4	2	KST	DOP	006	030		OPVULDOPJE	6 MM ROOD
5	1	OPE	PNR	006	010	A	ZITPLAAT	ZITJE
6	2	SMD	PNR	005	000		Submodule	EI 05
7	1	SME	PNR	025	320	F	Beugel zitje	Recht



Benaming  
Title Zitje

Opmerking  
Comment Recht

Datum  
Date 28-10-2013

Tekening  
Drawing

**MOD PNR 323 000 A**  
**Samenstelling module Assembly module**