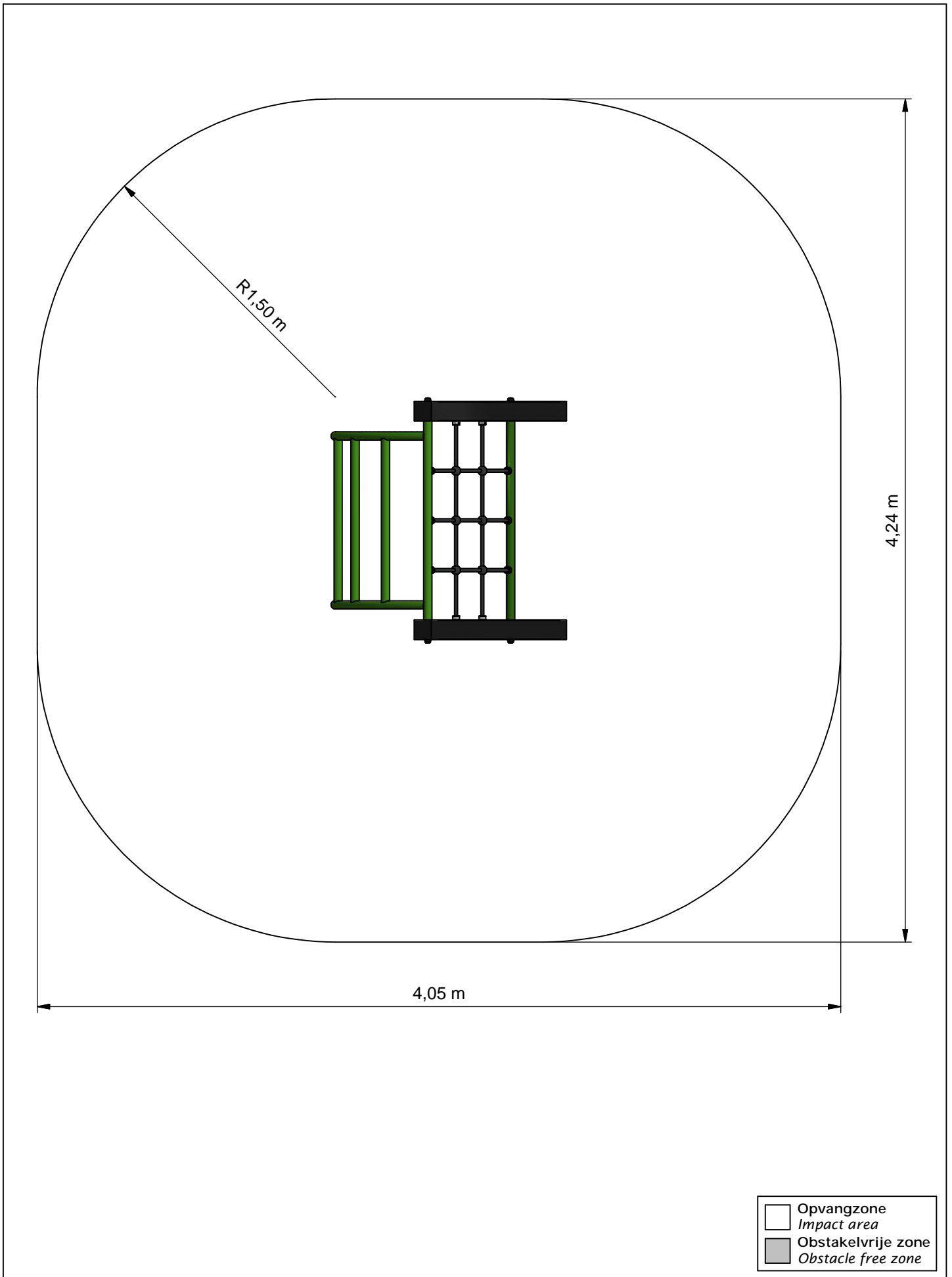




# Climbing frame



FRPE514.001



Benaming  
Title Free Play

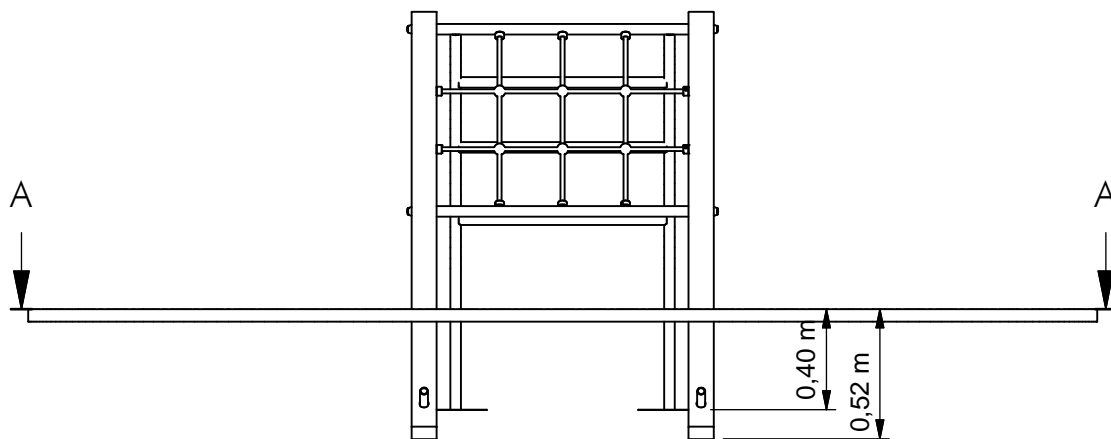
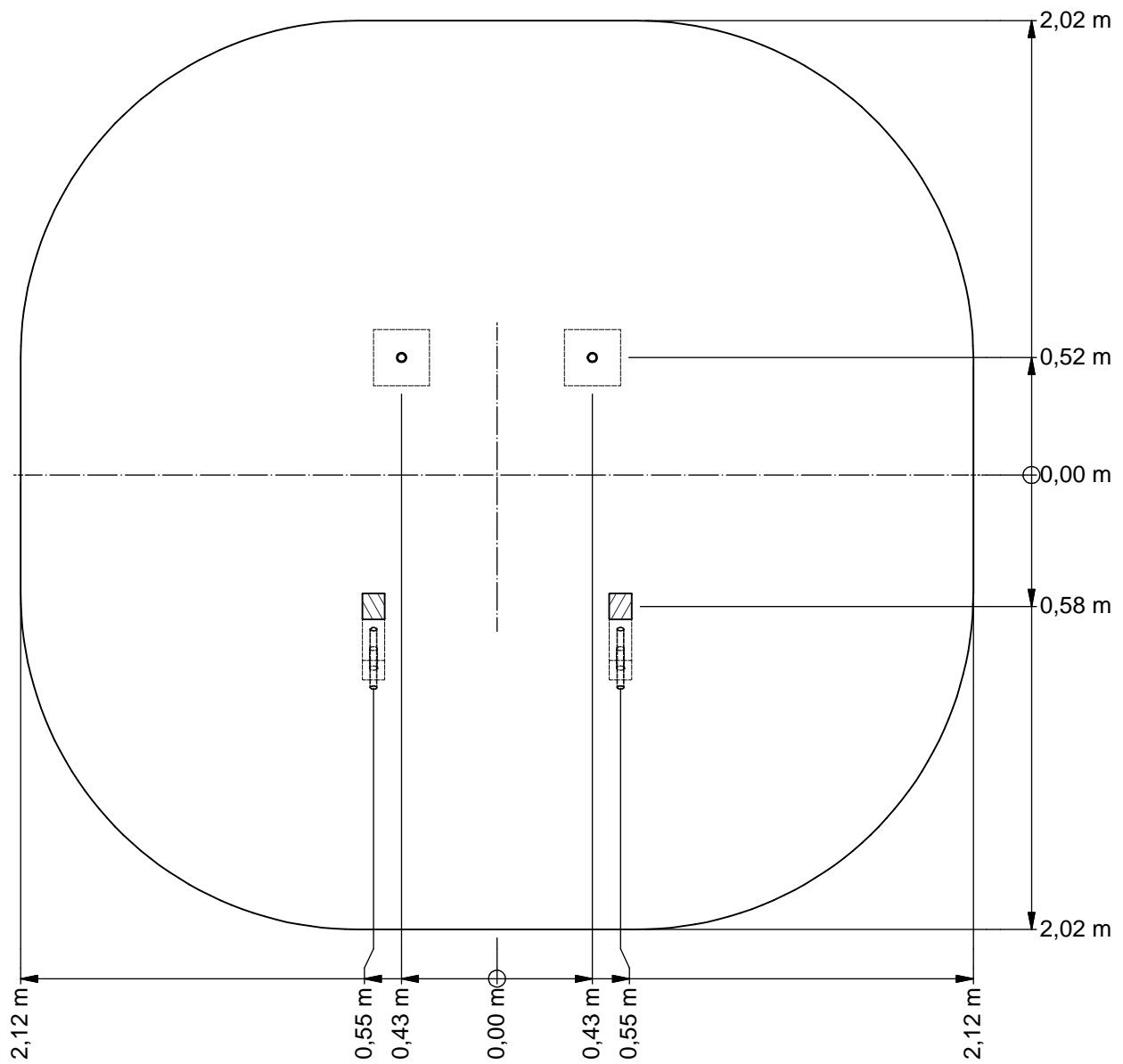
Opmerking  
Comment Klimrek

Datum  
Date 24-5-2011

Tekening  
Drawing

TOE FRP 514 001

Obstakelvrije zone *Obstacle free zone*



Benaming  
Title Free Play

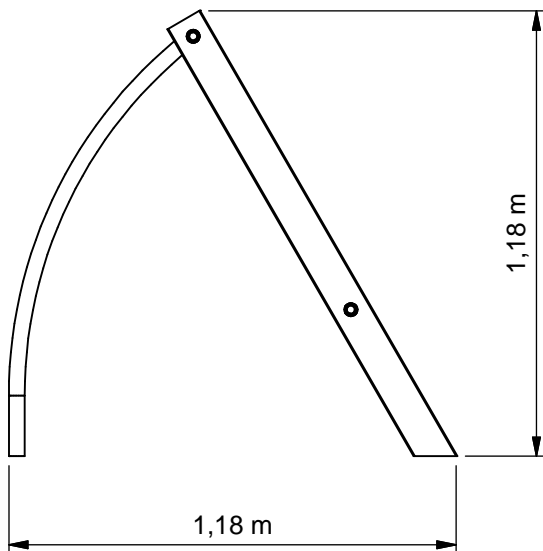
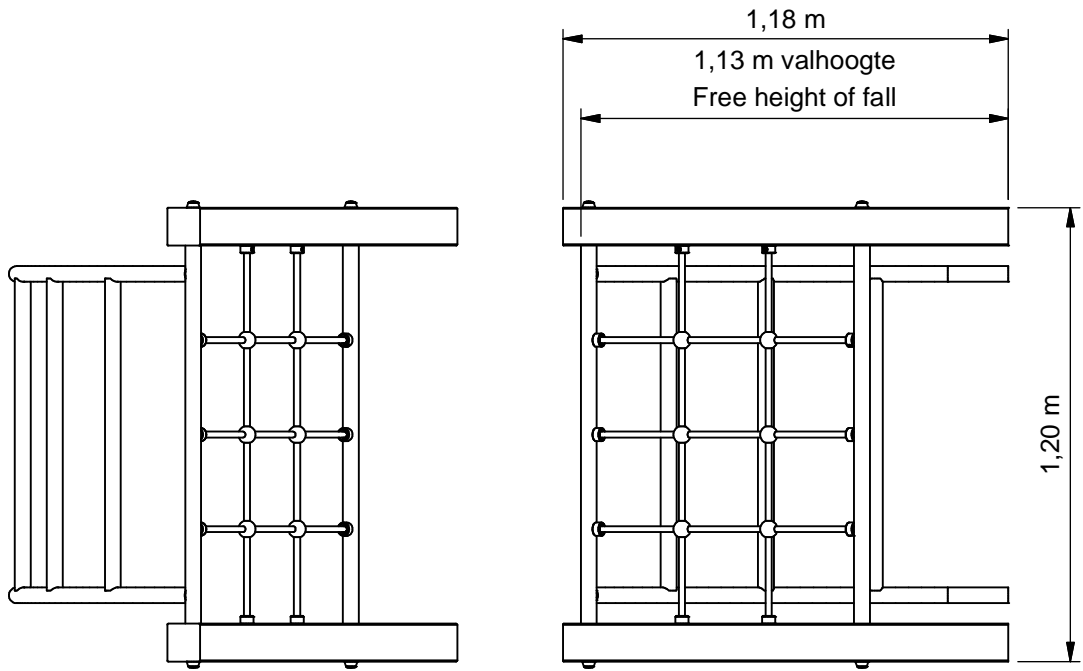
Opmerking  
Comment Klimrek

Datum  
Date 24-5-2011

Tekening  
Drawing

TOE FRP 514 001

Bodemplan *Groundplan*



Benaming  
Title Free Play

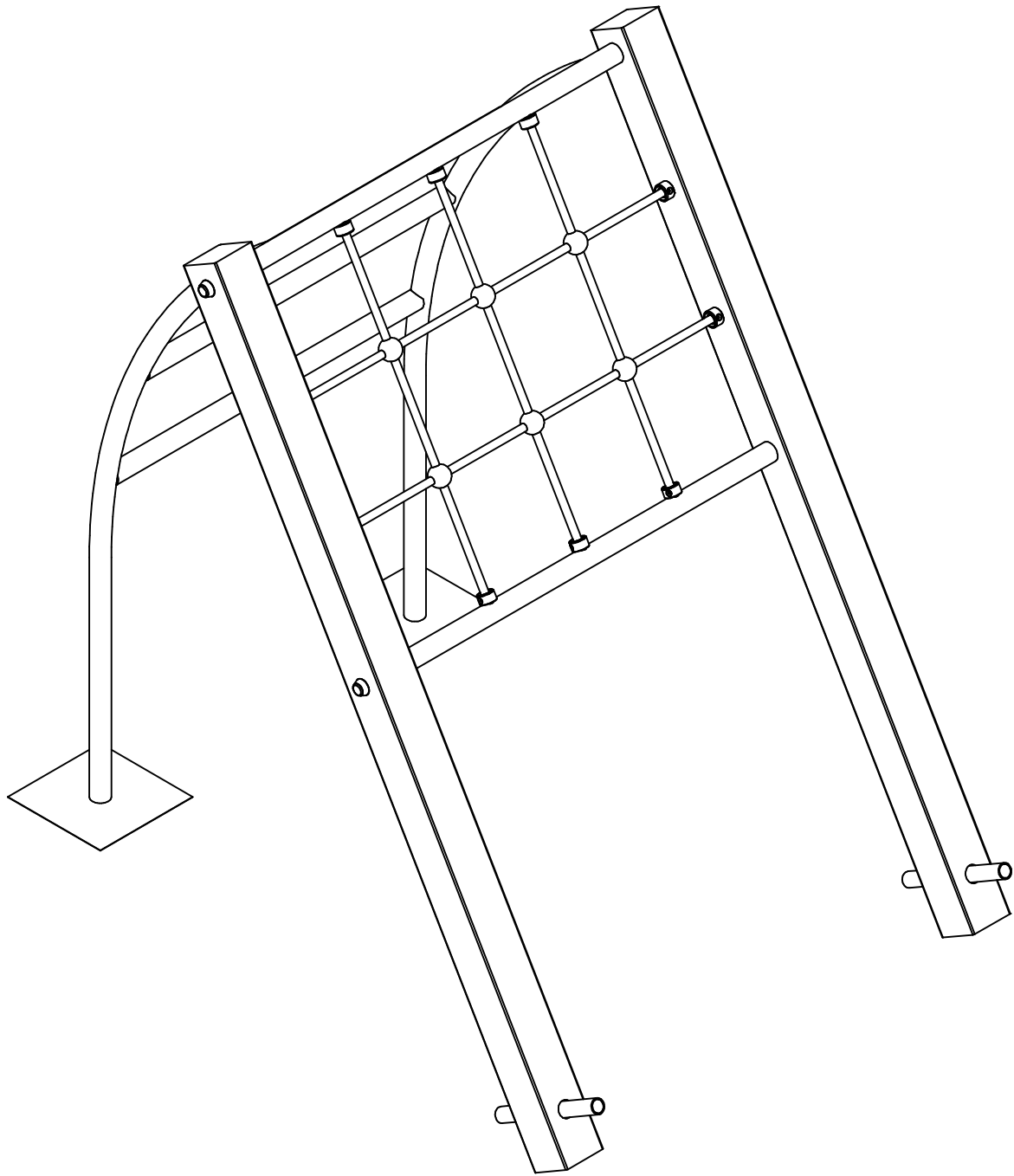
Opmerking  
Comment Klimrek

Datum  
Date 24-5-2011

Tekening  
Drawing

TOE FRP 514 001

Afmetingen Dimensions



Nr	#	Type	Progr.	Volgnr	Bew.	Rev.	Benaming	Opmerking
1	1	MOD	FRP	371	008		Free Play	Klimrek



Benaming  
Title | Free Play

Opmerking  
Comment | Klimrek

Datum  
Date | 24-5-2011

Tekening  
Drawing

**TOE FRP 514 001**

Modules Modules

# FRPE514.001

Climbing frame

## LOGBOOK

(Onderstaand logboek kan gebruikt worden om te voldoen aan de eisen, gesteld in artikel 14 van het Warenwetbesluit Attractie- en Speeltoestellen)

Type indication	Free Play
Product code	FRPE514.001
Name of equipment	Klimrek
Maximum height of fall	1,0 m
Year of construction	2017
Certificate	136916
inspection authority	Keurmerkinstituut Groeneweg 2e, Zoetermeer - 2718AA Zoetermeer
Name manufacturer	BOERplay Hyacintstraat 2 - 4255 HX Nieuwendijk Phone: +31 (0)183 40 23 66 Fax: +31 (0)183 40 35 64
name installer	_____ _____
Description of equipment	Climbing frame
Location of equipment	_____
Data about the owner of the play equipment	
Name:	_____
Address:	_____
Postcode and town:	_____
Contact person:	_____
Telephone number:	_____
Data about the administrator of the play equipment	
Name:	_____
Address:	_____
Postcode and town:	_____
Contact person:	_____
Telephone number:	_____

# LOGBOOK

## Inspection and maintenance intervals



Nr.	Inspection	Maintenance	months between inspections
1	Verify equipment's stability, junctions and missing parts. Inspect bolts, screws and nuts for absence, jams, corrosion and wear.	Add missing parts, secure joints, apply missing fixing agent and replace corroded parts.	1
2	Check suspension for wear.	Replace worn parts and/or remove non-functioning parts.	1
3	Inspect rotating parts such as hinges, rolling-element bearings, etc. for wear and acceptability.	Replace worn parts and/or remove non-functioning parts.	1
4	Check wood for splinters, unacceptable damage and signs of rot. Especially at ground level.	Repair damage. Replace affected wood. Smoothen splintered wood and sharp edges.	1
5	Inspect foundation for stability, tearing and coverage.	Restore foundation and covering material.	3
6	Examine rubber and synthetic parts for wear, damage and break.	Replace original parts.	3
7	Inspect metal for corrosion and damage in the coating.	Restore any damaged coating (after removing rust and applying primer).	6
8	Check ropes, cables, chains and nets for wear and damage. Steel cables and nets which are tensioned must be checked for tension.	Replace parts where necessary. Steel cables and nets must be tensioned.	3
9	Inspect equipment for unsafe changes and additions.	Remove unsafe additions and correct unsafe changes.	1
10	Inspect safety surfaces.	Restore and repair where necessary.	1

## Remarks

1. If used intensively, all points require extra attention.
2. Extreme weather conditions and locations may require a higher inspection frequency. Discuss this with the supplier.
3. Vandalism-sensitive locations require stricter inspections, possibly daily.
4. Check the terrain regularly for items that do not belong there, are unsafe or may be used wrongly. Examples are poisonous plants, glass shards, etc. Frequency depends on strain.
5. Remember that bad maintenance leads to unsafe conditions and notably faster impoverishment of the playground area.
6. Replacement parts can be ordered at the manufacturer with the part numbers on the module drawing. Drawings can be found in de user guide.
7. The impact area shall be provided with impact attenuating surface according to the specified falling height.
8. This list is conform the CEN-standard "playground equipment and surfacing NEN-EN 1176-7".

# *Certificaat*

## **KEURMERKINSTITUUT**

### **Warenwetbesluit attractie- en speeltoestellen**

Certificaat van goedkeuring afgegeven door Keurmerkinstituut (aangewezen bij ministeriële beschikking van 8 juni 2004, VGB/P&L 2478562).

Certificaat nr.: 132374

Dossier nr.: 9102 Serie / Enkel: S

Betreft: Free Play 514 klimrek

Aanduidingen: FRP.514.001

Eigenaar/houder: Boer speeltoestellen b.v.  
Postbus 10  
4255 ZG Nieuwendijk

Soort toestel: Klimrek bestaande uit boog en net

Fabrikant: Boer speeltoestellen b.v., Nieuwendijk

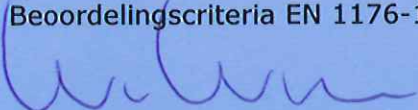
Jaar van fabricage: 2013

Leverancier: Boer speeltoestellen b.v., Nieuwendijk

Jaar van leverantie: 2013

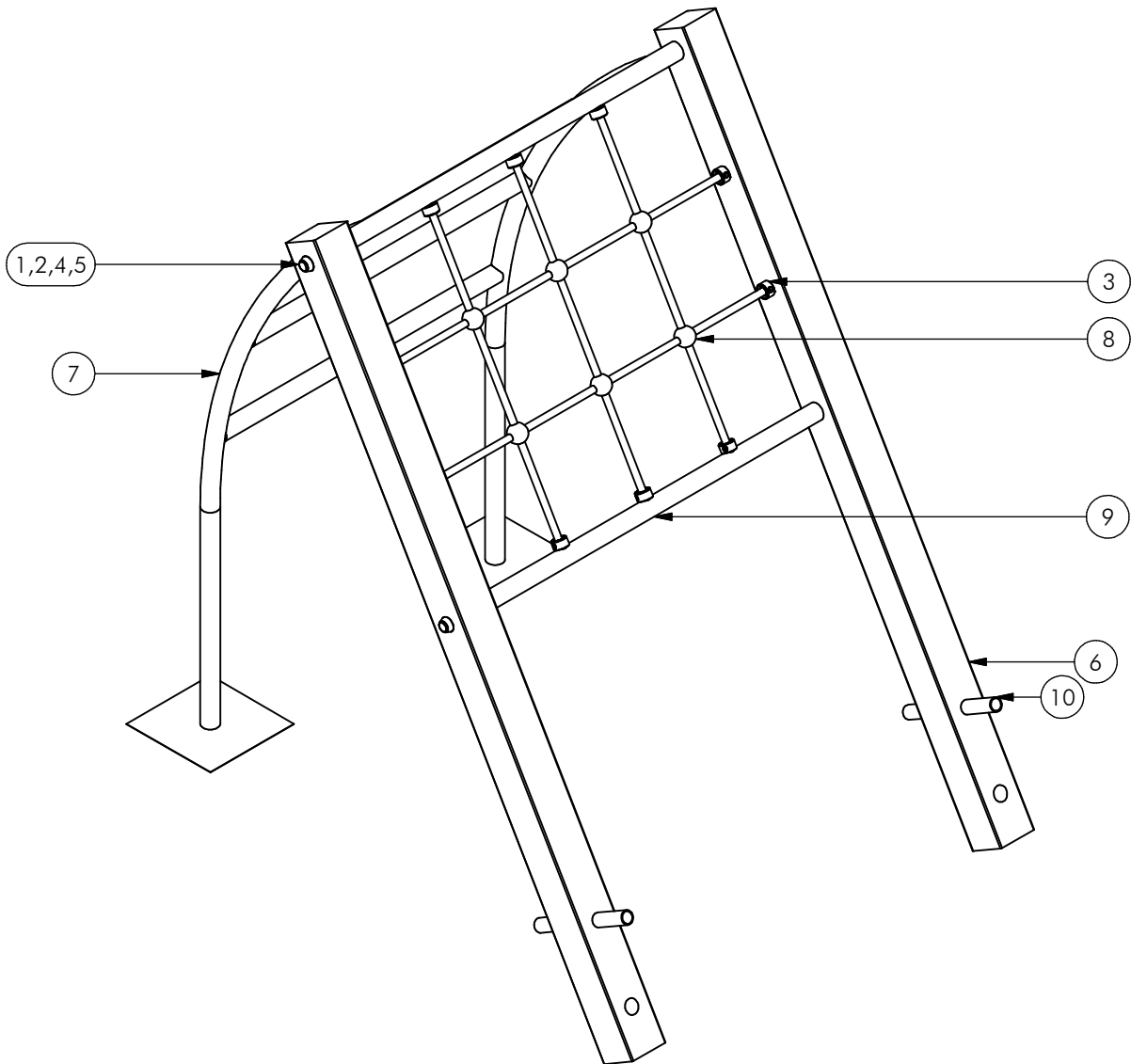
Datum keuring: 24 mei 2013

Keurmerkinstituut, Groeneweg 2 te Zoetermeer, verklaart dat het bovenvermelde toestel voldoet aan de vervaardigingsvoorschriften genoemd in het Warenwetbesluit attractie- en speeltoestellen (Staatsblad 474, 27 september 1996).  
Beoordelingscriteria EN 1176-1:2008.



drs. W. van Weperen  
directeur





POS	N	TYPE	PROJ.	NR.	BEH.	R	BENAMING	OPMERKING
1	4	BSV	021	010	120		Zeskantbout ISO 4014	M10 x 120 - VZ 8.8
2	4	BSV	030	010	002		Sluitring	M10 - VZ 8.8
3	4	OME	BUS	002	RVS		Bus RVS schroef	touw d16
4	4	KST	DON	323	050		interplay donut	blauw
5	4	KST	DOP	323	050		interplay dop	blauw
6	2	KST	FRP	010	RBO	B	Rebo 1700	Paal 100x100
7	1	SME	FRP	014	ALU	A	Free Play	Oplooprek
8	1	SNT	FRP	003			Klimrek	Klimnet
9	1	SME	MNP	005	ALU		Buis 1000	net 4x4
10	2	OME	PYP	032	030		St pijp Ø31,8	L=300



Benaming  
Title | Free Play

Opmerking  
Comment | Klimrek

Datum  
Date | 24-5-2011

Tekening  
Drawing

# MOD FRP 371 008

Samenstelling module *Assembly module*