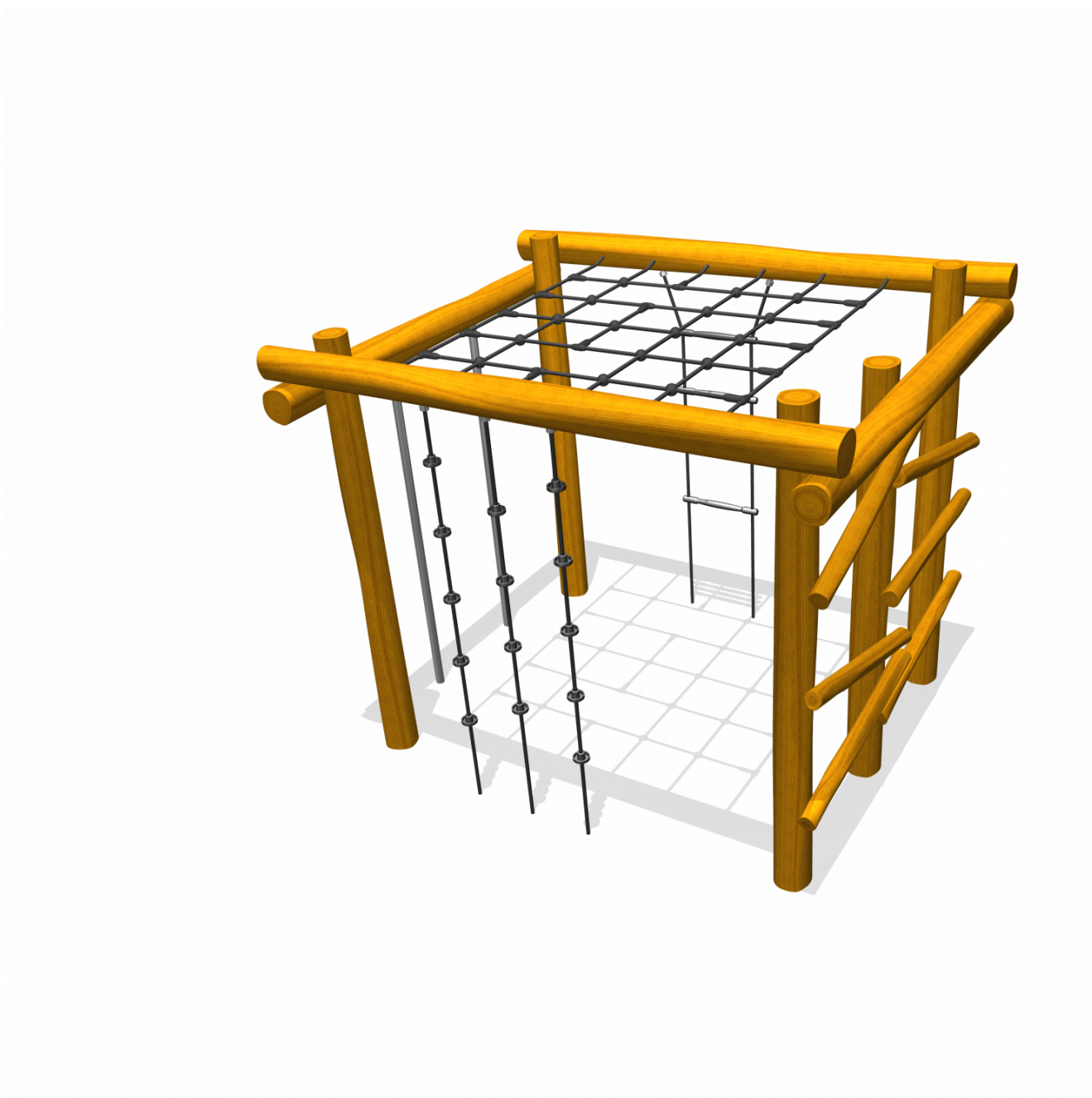
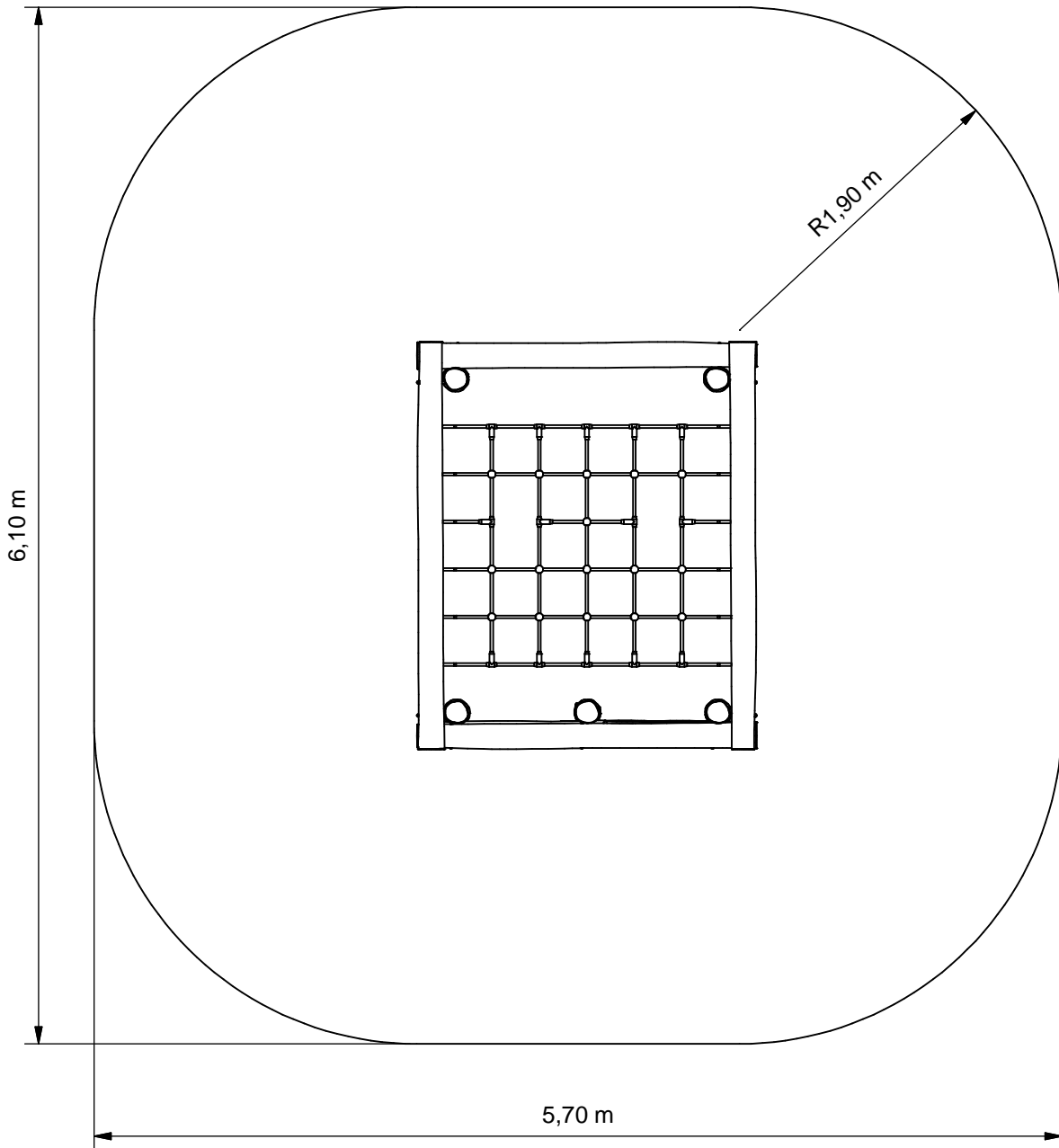




Climbing cube



PSTE000.110



- Opvangzone**
Impact area
- Obstakelvrije zone**
Obstacle free zone



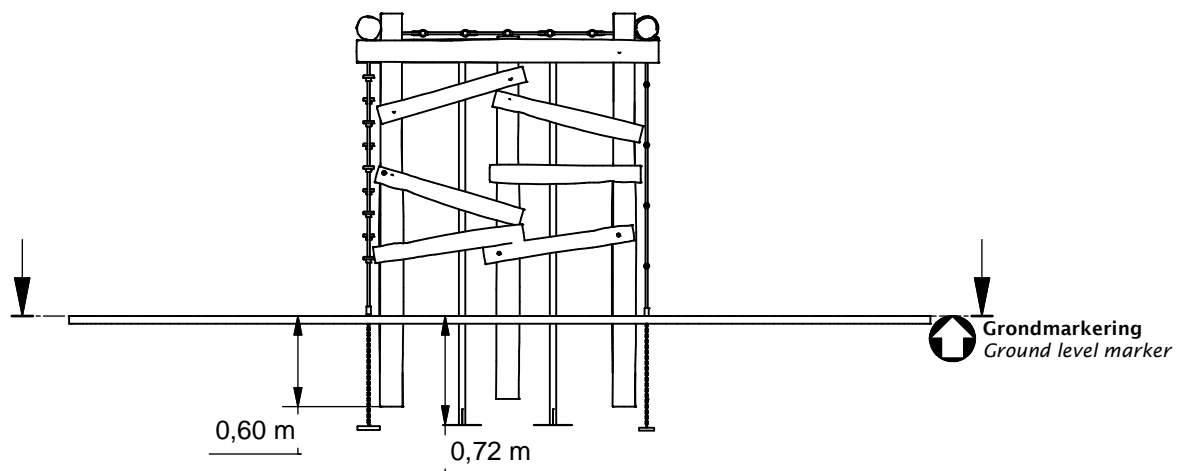
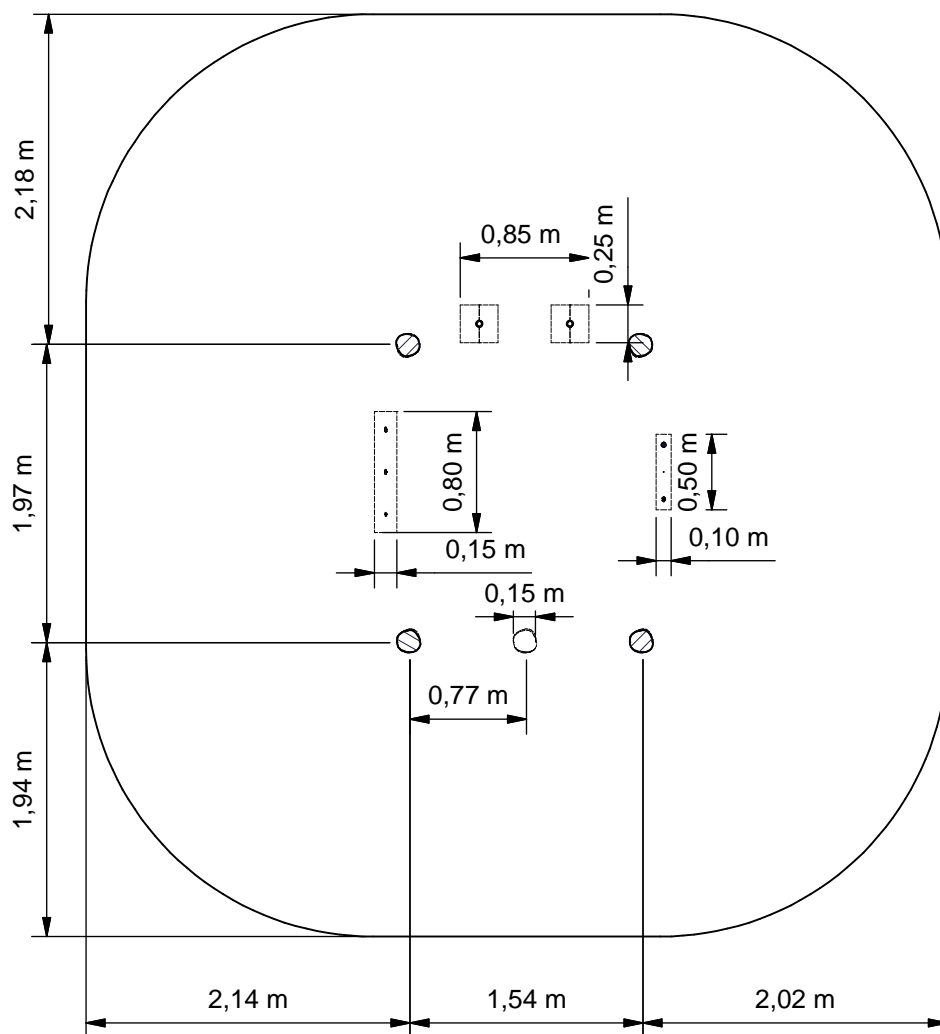
Benaming
Title Klimkubus

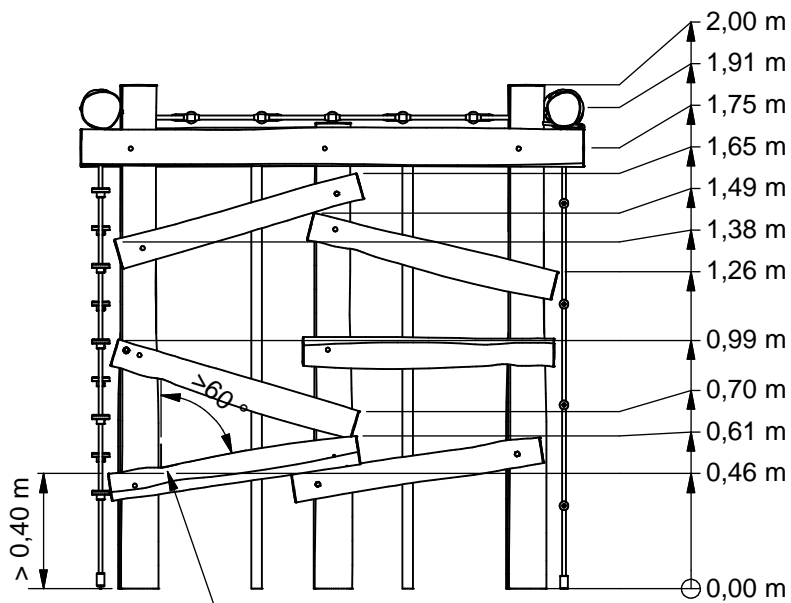
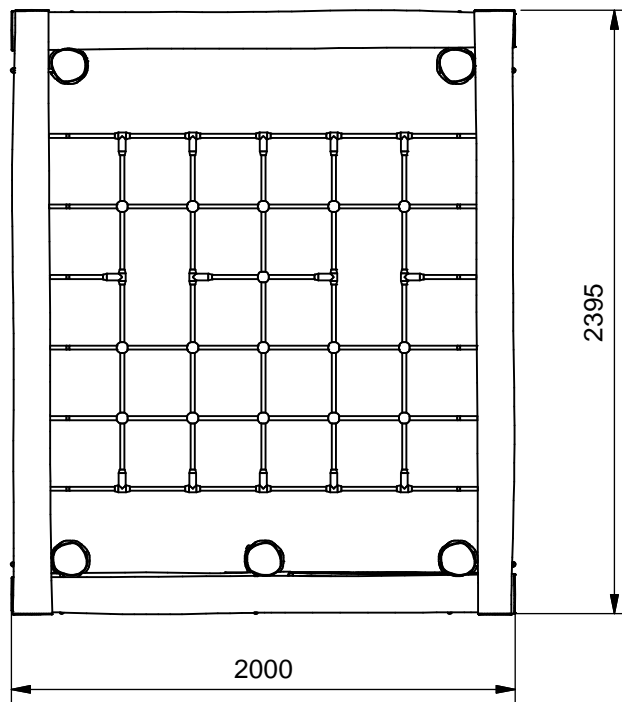
Opmerking
Comment Adventure Play

Datum
Date 2-4-2013

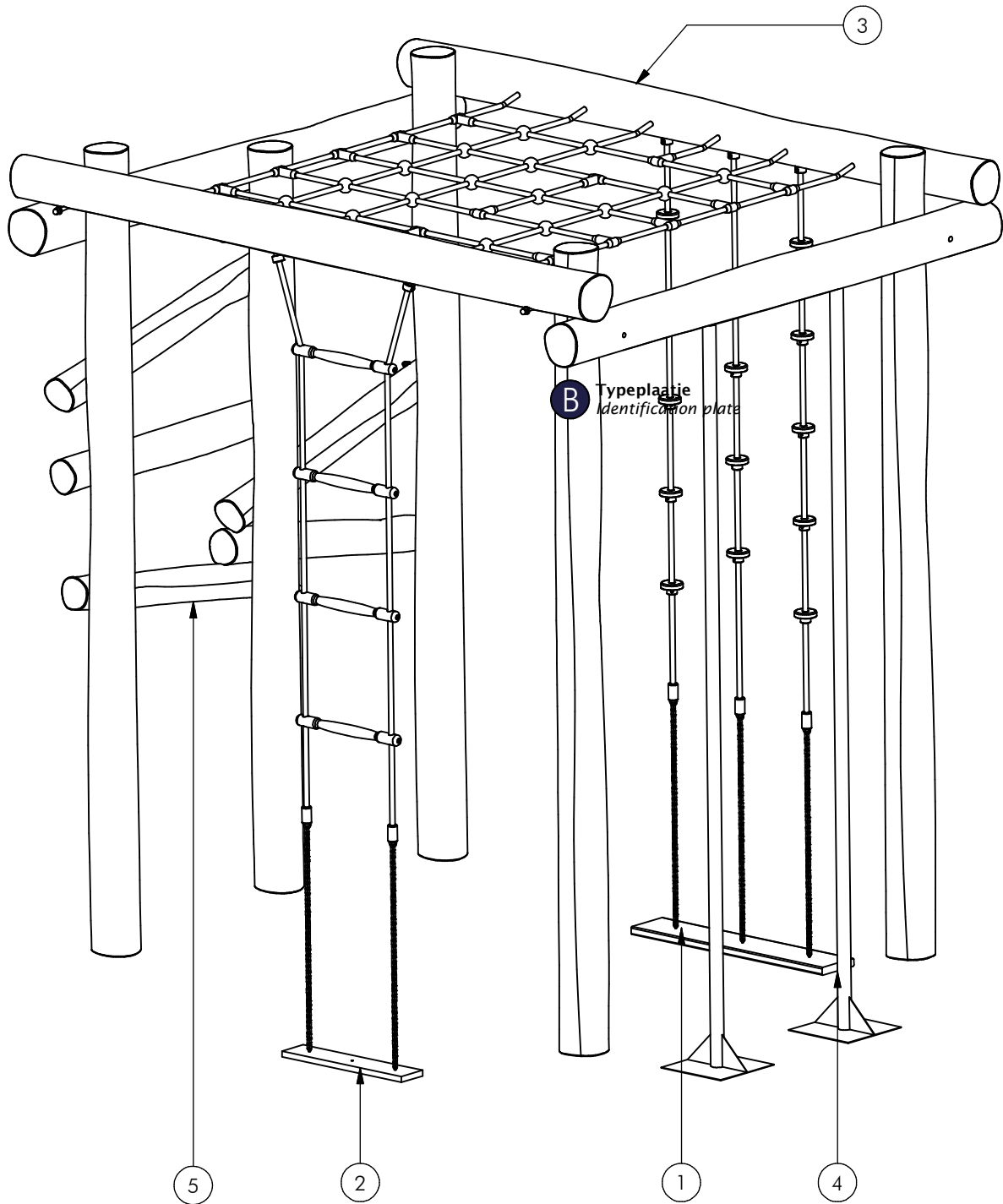
Tekening
Drawing

TOE PST 000 110 A
Obstakelvrije zone *Obstacle free zone*





Hoeken altijd > 60° i.v.m. halsbeknelling



Nr	#	Type	Progr.	Volgnr	Bew.	Rev.	Benaming	Opmerking
1	1	MOD	PST	016	038	B	klimtouwen kubus	Adventure Play
2	1	MOD	PST	016	039	B	Klimladder Kubus	Adventure Play
3	1	MOD	PST	016	100		Netten Kubus	Adventure Play
4	1	MOD	PST	016	101		Glijstangen	Adventure Play
5	1	MOD	PST	016	102		Klimsporten	Adventure Play



Benaming
Title Klimkubus

Opmerking
Comment Adventure Play

Datum
Date 2-4-2013

Tekening
Drawing

TOE PST 000 110 A

Modules Modules

Geleverde delen:

- A - Staanders en Klimsporten
- B - Staanders en Glijstangen
- C - Net Kubus, Klimtouwen en Klimladder

Bevestiging sets:

- 1 - RVS M10 bevestigingsset

Montagevolgorde:

- 1 - Graaf de gaten volgens het bodemplan
- 2 - Plaats A en B
- 3 - Plaats C en bevestig met 1 aan A en B
- 4 - Controleer of het toestel voldoet aan de afmetingen zoals op blad 'afmetingen'
- 5 - Dicht de gaten en verdicht het zand

Controles:

- 1 - Correcte opbouw en alle bevestigingsmiddelen
- 2 - De valhoogte minder is dan 2,00 m.
- 3 - Controleer de afmetingen van de valbodem t.o.v. het toestel

Supplied parts:

- A - Uprights and Rock Climbing
- B - Uprights and Sliding Rods
- C - Net Cube, Ropes and Climb Ladder

Mounting kits:

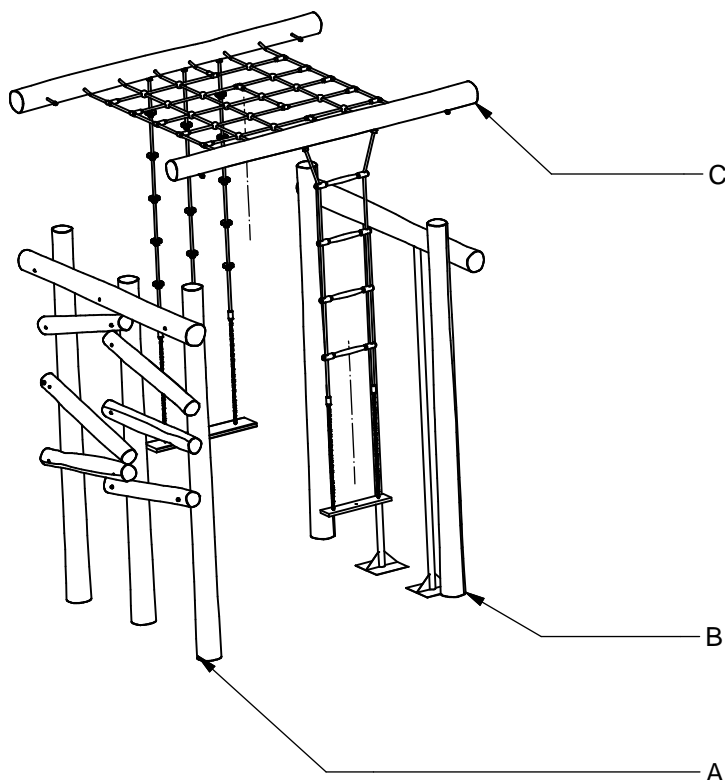
- 1 - M10 stainless steel mounting

Assembly sequence:

- 1 - Dig the holes in the ground plan
- 2 - Place A and B
- 3 - Place C and Attach it with 1 to A and B
- 4 - Check that the device complies with the dimensions on sheet 'dimensions'
- 5 - Close the holes and compacted sand

Controls:

- 1 - Correct assembly and all the fasteners
- 2 - The height of fall is less than 2,00 m
- 3 - Check the dimensions of the device compared valbodem



PSTE000.110

Climbing cube

LOGBOOK

(Onderstaand logboek kan gebruikt worden om te voldoen aan de eisen, gesteld in artikel 14 van het Warenwetbesluit Attractie- en Speeltoestellen)

Type indication	Adventure Play
Product code	PSTE000.110
Name of equipment	Klimkubus
Maximum height of fall	2,0 m
Year of construction	2017
Certificate	035304
inspection authority	TUV Nederland QA BV De Waal 21c, Best - 5684 PH Best
Name manufacturer	BOERplay Hyacintstraat 2 - 4255 HX Nieuwendijk Phone: +31 (0)183 40 23 66 Fax: +31 (0)183 40 35 64
name installer	_____ _____
Description of equipment	Climbing cube
Location of equipment	_____
Data about the owner of the play equipment	
Name:	_____
Address:	_____
Postcode and town:	_____
Contact person:	_____
Telephone number:	_____
Data about the administrator of the play equipment	
Name:	_____
Address:	_____
Postcode and town:	_____
Contact person:	_____
Telephone number:	_____

LOGBOOK

Inspection and maintenance intervals



Nr.	Inspection	Maintenance	months between inspections
1	Verify equipment's stability, junctions and missing parts. Inspect bolts, screws and nuts for absence, jams, corrosion and wear.	Add missing parts, secure joints, apply missing fixing agent and replace corroded parts.	1
2	Check suspension for wear.	Replace worn parts and/or remove non-functioning parts.	1
3	Inspect rotating parts such as hinges, rolling-element bearings, etc. for wear and acceptability.	Replace worn parts and/or remove non-functioning parts.	1
4	Check wood for splinters, unacceptable damage and signs of rot. Especially at ground level.	Repair damage. Replace affected wood. Smoothen splintered wood and sharp edges.	1
5	Inspect foundation for stability, tearing and coverage.	Restore foundation and covering material.	3
6	Examine rubber and synthetic parts for wear, damage and break.	Replace original parts.	3
7	Inspect metal for corrosion and damage in the coating.	Restore any damaged coating (after removing rust and applying primer).	6
8	Check ropes, cables, chains and nets for wear and damage. Steel cables and nets which are tensioned must be checked for tension.	Replace parts where necessary. Steel cables and nets must be tensioned.	3
9	Inspect equipment for unsafe changes and additions.	Remove unsafe additions and correct unsafe changes.	1
10	Inspect safety surfaces.	Restore and repair where necessary.	1

Remarks

1. If used intensively, all points require extra attention.
2. Extreme weather conditions and locations may require a higher inspection frequency. Discuss this with the supplier.
3. Vandalism-sensitive locations require stricter inspections, possibly daily.
4. Check the terrain regularly for items that do not belong there, are unsafe or may be used wrongly. Examples are poisonous plants, glass shards, etc. Frequency depends on strain.
5. Remember that bad maintenance leads to unsafe conditions and notably faster impoverishment of the playground area.
6. Replacement parts can be ordered at the manufacturer with the part numbers on the module drawing. Drawings can be found in de user guide.
7. The impact area shall be provided with impact attenuating surface according to the specified falling height.
8. This list is conform the CEN-standard "playground equipment and surfacing NEN-EN 1176-7".

Warenwet

Certificaat van Typeonderzoek Type Examination Certificate

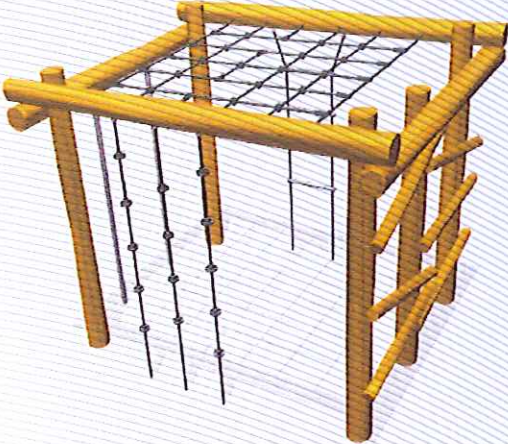
afgegeven door issued by

TÜV Nederland QA BV




aangewezen bij ministeriële beschikking van
4 mei 2012, nr. VGP 3113590

commissioned by departmental order
of 4 May 2012, no. VGP 3113590

Certificaat nr. Certificate nr.	035304TA_20130909	Dossiernr. File nr.	035304TA
Productomschrijving Product description	Klimkubus		
Evt. nadere aanduidingen Further indications	Adventure Play		
voor nadere informatie zie bijbehorend rapport met gelijkloidend dossiernr. for further information see associated report with identical file nr.			
Eigenaar / certificaathouder en adres Owner/certificate holder and address	Boer Speeltoestellen B.V. Hyacintstraat 2 4255 HX Nieuwendijk		
Soort toestel Category of equipment	Speeltoestel / Playground equipment		
Fabrikant Manufacturer	Boer Speeltoestellen B.V. Hyacintstraat 2 4255 HX Nieuwendijk		
Type/Serienummer Type/Serial number	PST.000.110 /	in te vullen door de fabrikant to be filled out by the manufacturer	
Jaar van fabricage Year of construction	vanaf 2013 since		
Leverancier Supplier	Boer Speeltoestellen B.V. Hyacintstraat 2 4255 HX Nieuwendijk		
Jaar van leverantie Year of supply	in te vullen door de leverancier to be filled out by the supplier		
Datum keuring Date of examination	13-05-2013 – 09-09-2013		

TÜV Nederland QA BV, de Waal 21C, NL-5684 PH Best verklaart, dat het bovenaangehaalde toestel voldoet aan de vervaardigingvoorschriften genoemd in het Warenwetbesluit attractie- en speeltoestellen (met als leidraad de normatieve documenten NEN-EN 1176:2008).

TÜV Nederland QA BV declares that the here above mentioned equipment meets the safety and health requirements mentioned in the Dutch law "Warenwetbesluit attractie- en speeltoestellen" (guided by normative documents EN 1176:2008).

Namens het bestuur, For the board, A.C. Boon Directeur	
---	--



Nr	#	Type	Progr.	Volgnr	Bew.	Rev.	Benaming	Opmerking
1	3	BSR	002	005	070		Schroef Assy	5 x 70 - RVS A2-70
2	3	BSV	025	006	030		Veiligheidsschroef	Pin-Torx - VZ 8.8
3	1	OHO	PST	307	080		70 mm Vierkante paal	800 mm Lengte
4	3	OME	BUS	002	RVS		Bus RVS schroefdraad	touw d16
5	1	SNT	PST	016	080	C	Klimtouwen kubus	Adventure Play



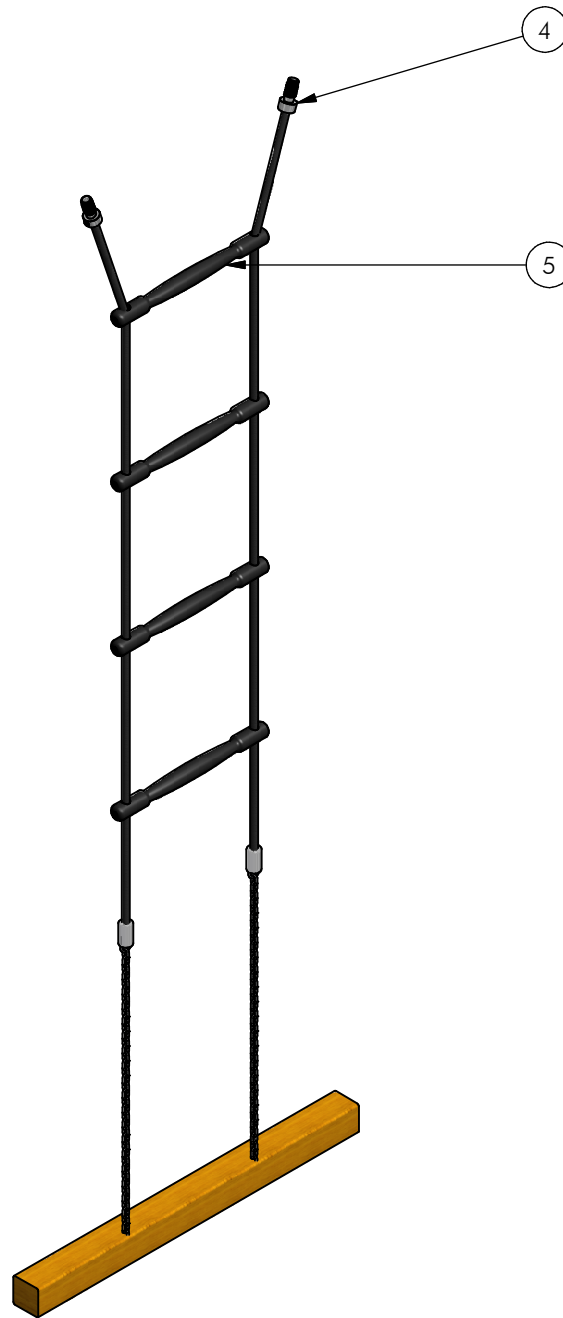
Benaming
Title | klimtouwen kubus

Opmerking
Comment | Adventure Play

Datum
Date | 10-10-2013

Tekening
Drawing

MOD PST 016 038 B
 Samenstelling module *Assembly module*



Nr	#	Type	Progr.	Volgnr	Bew.	Rev.	Benaming	Opmerking
1	4	BSR	002	005	070		Schroef Assy	5 x 70 - RVS A2-70
2	2	BSV	025	006	030		Veiligheidsschroef	Pin-Torx - VZ 8.8
3	1	OHO	PST	307	090		70 mm Vierkante paal	900 mm Lengte
4	2	OME	BUS	002	RVS		Bus RVS schroefdraad	touw d16
5	1	SNT	PST	016	081	B	Klimladder kubus	Adventure Play



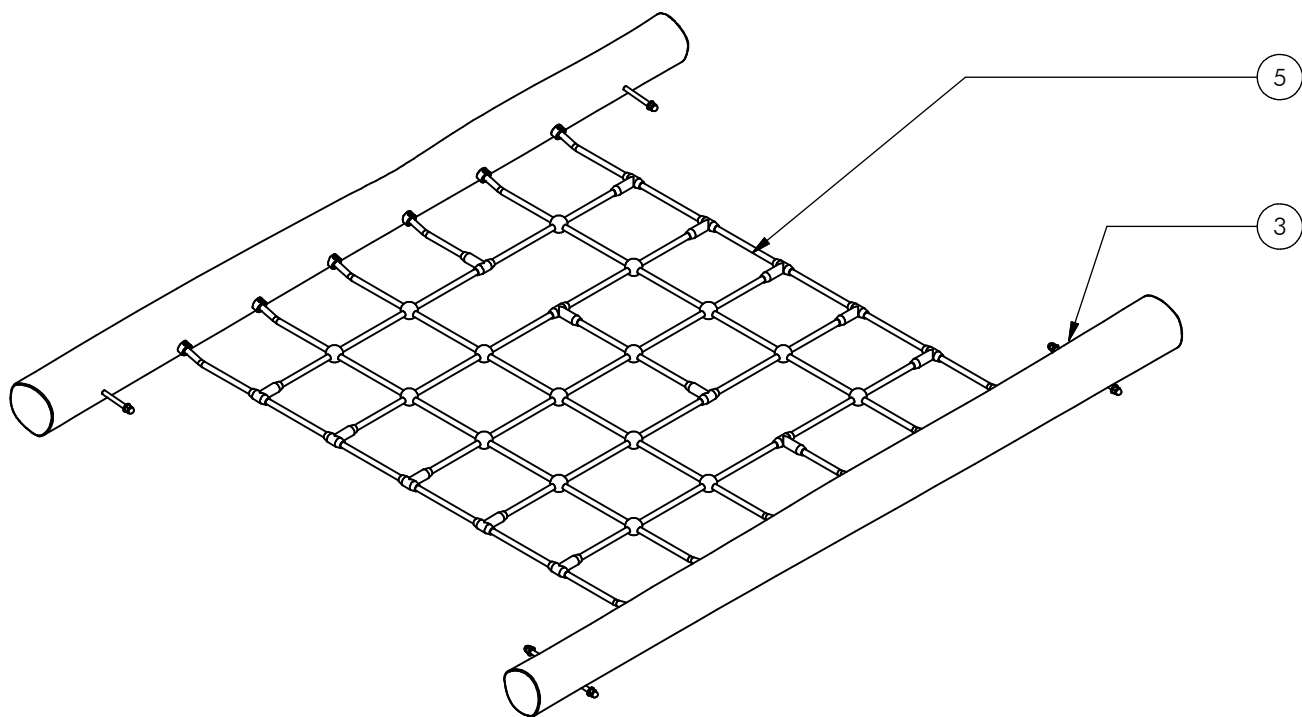
Benaming
Title | Klimladder Kubus

Opmerking
Comment | Adventure Play

Datum
Date | 10-10-2013

Tekening
Drawing

MOD PST 016 039 B
 Samenstelling module *Assembly module*



Nr	#	Type	Progr.	Volgnr	Bew.	Rev.	Benaming	Opmerking
1	4	BMR	SET	M12	240		Draadeind+dopm.+ringen	M12, L= 240, RVS A2-70
2	12	BSV	025	006	030		Veiligheidsschroef	Pin-Torx - VZ 8.8
3	2	OHO	PST	160	024		Paal 14-16	Lengte =2400
4	12	OME	BUS	002	RVS		Bus RVS schroefdraad	touw d16
5	1	SNT	PST	016	075		Vertikaal klimnet	Ø16 Totaal lengte 17,5 mtr



Benaming
Title Netten Kubus

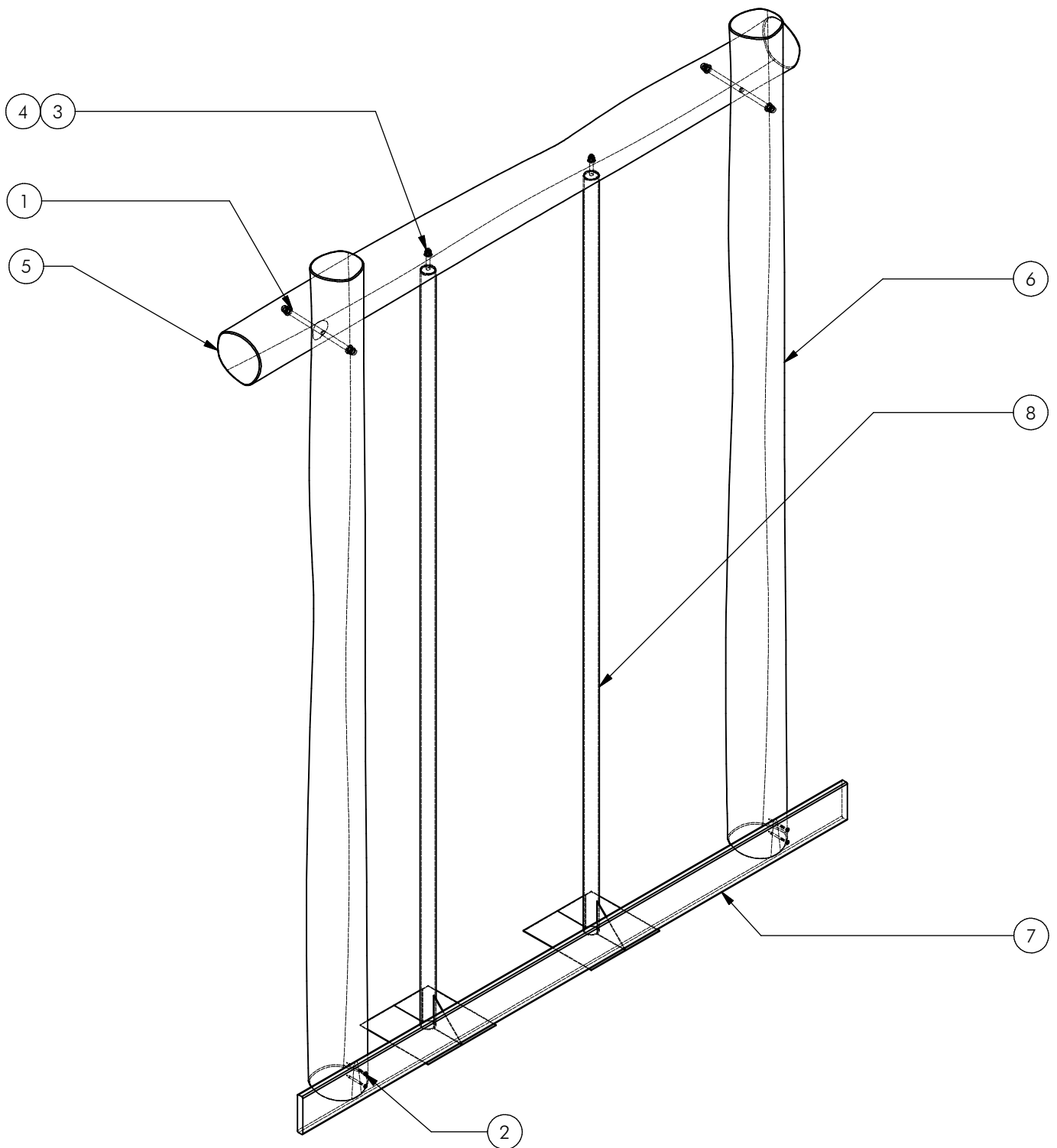
Opmerking
Comment Adventure Play

Datum
Date 2-4-2013

Tekening
Drawing

MOD PST 016 100

Samenstelling module Assembly module



Nr.	#	Type	Progr.	Volgnr.	Bew.	Rev.	Benaming	Opmerking
1	2	BMR	SET	M12	240		Slotbout+dopm.+ringen	M12, L= 240, RVS A2-70
2	4	BSR	002	005	070		Schroef Assy	5 x 70 - RVS A2-70
3	2	BSR	011	010	020		DOPMOER	BORG RVS M10
4	2	BSR	030	010	002		SLUITRING	M10
5	1	OHO	PST	160	020		Paal 14-16	Lengte =2000
6	2	OHO	PST	160	026		Paal 14-16	Lengte =2600
7	1	OHO	PST	211	200		Standaard plank 120x20	Lengte = 2000
8	2	OME	VRB	554	320		Glijpaal	Recht aan buis

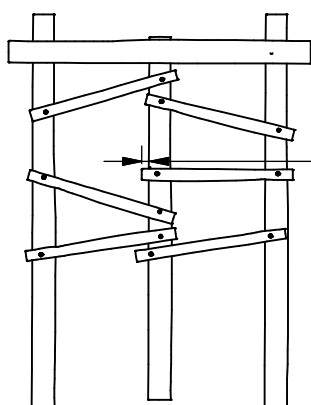
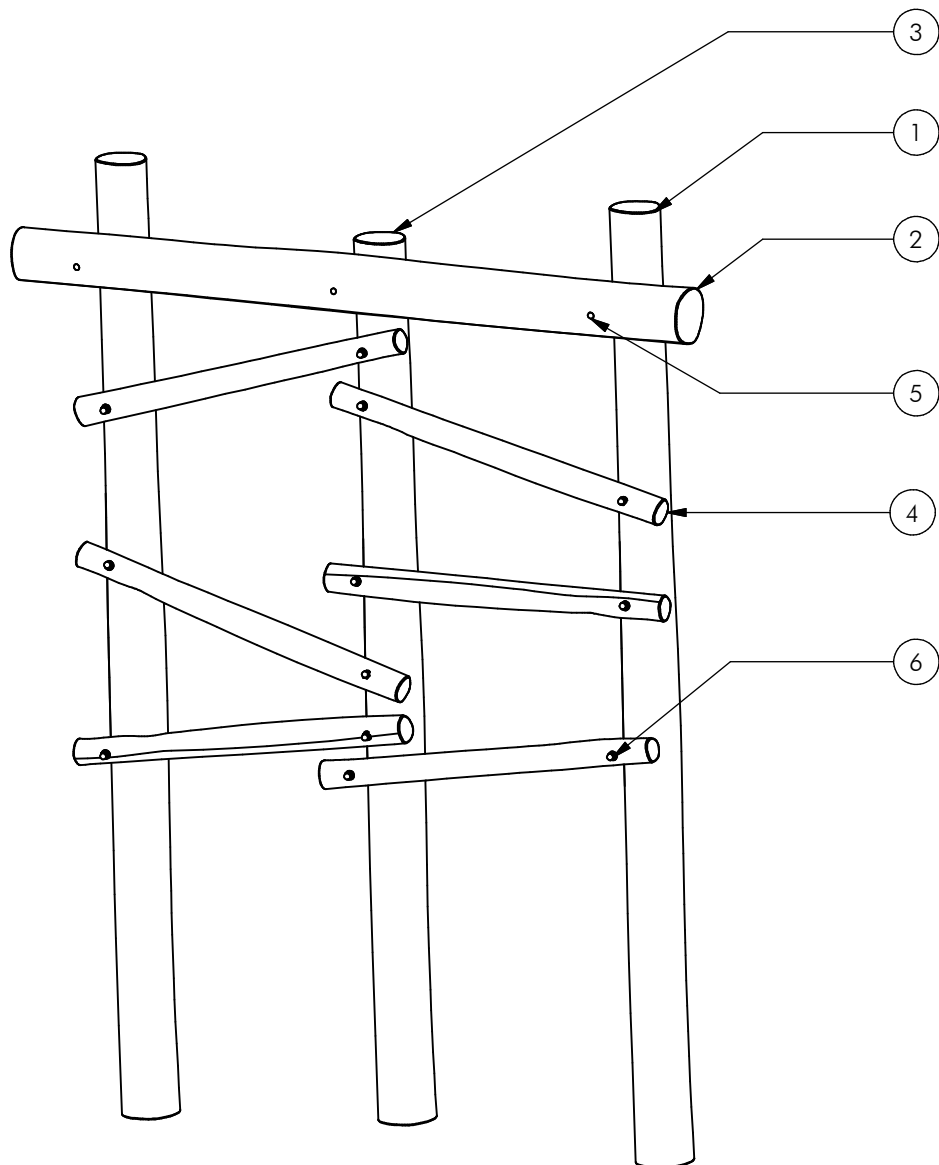


Benaming | Glijstangen
 Title
 Opmerking | Adventure Play
 Comment
 Datum | 2-4-2013
 Date

Tekening
 Drawing

MOD PST 016 101

Samenstelling module Assembly module



Overstek < 40 mm
bij alle sporten.

Nr	#	Type	Progr.	Volgnr	Bew.	Rev.	Benaming	Opmerking
1	2	OHO	PST	160	026		Paal 14-16	Lengte =2600
2	1	OHO	PST	160	020		Paal 14-16	Lengte =2000
3	1	OHO	PST	160	024		Paal 14-16	Lengte =2400
4	6	OHO	PST	080	010		Paal 6	Lengte =1000
5	3	BMR	SET	M12	240		Slotbout+dopm.+ringen	M12, L= 240, RVS A2-70
6	12	BMR	SET	M12	200		Slotbout+dopm.+ringen	M12, L= 200, RVS A2-70