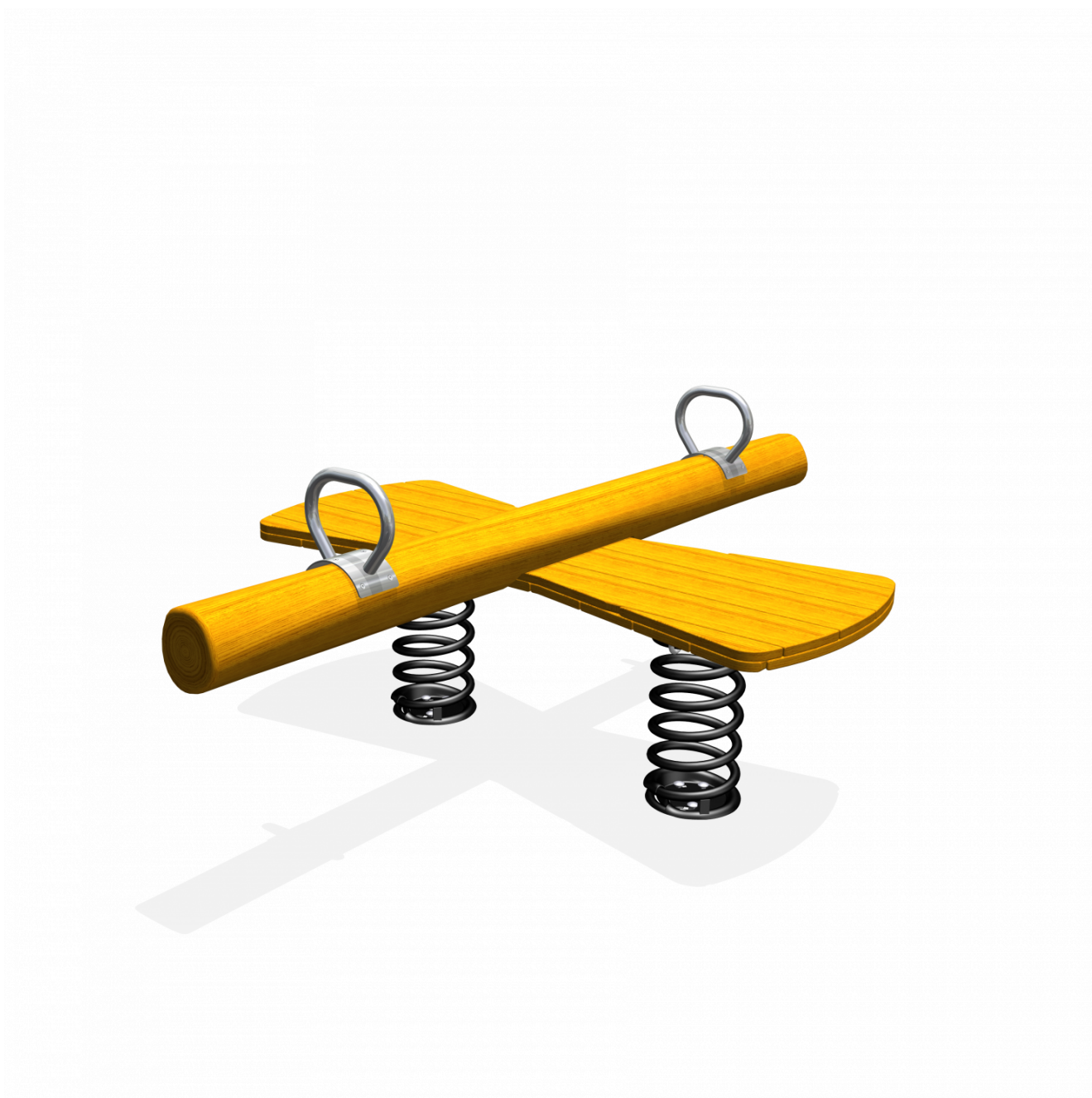
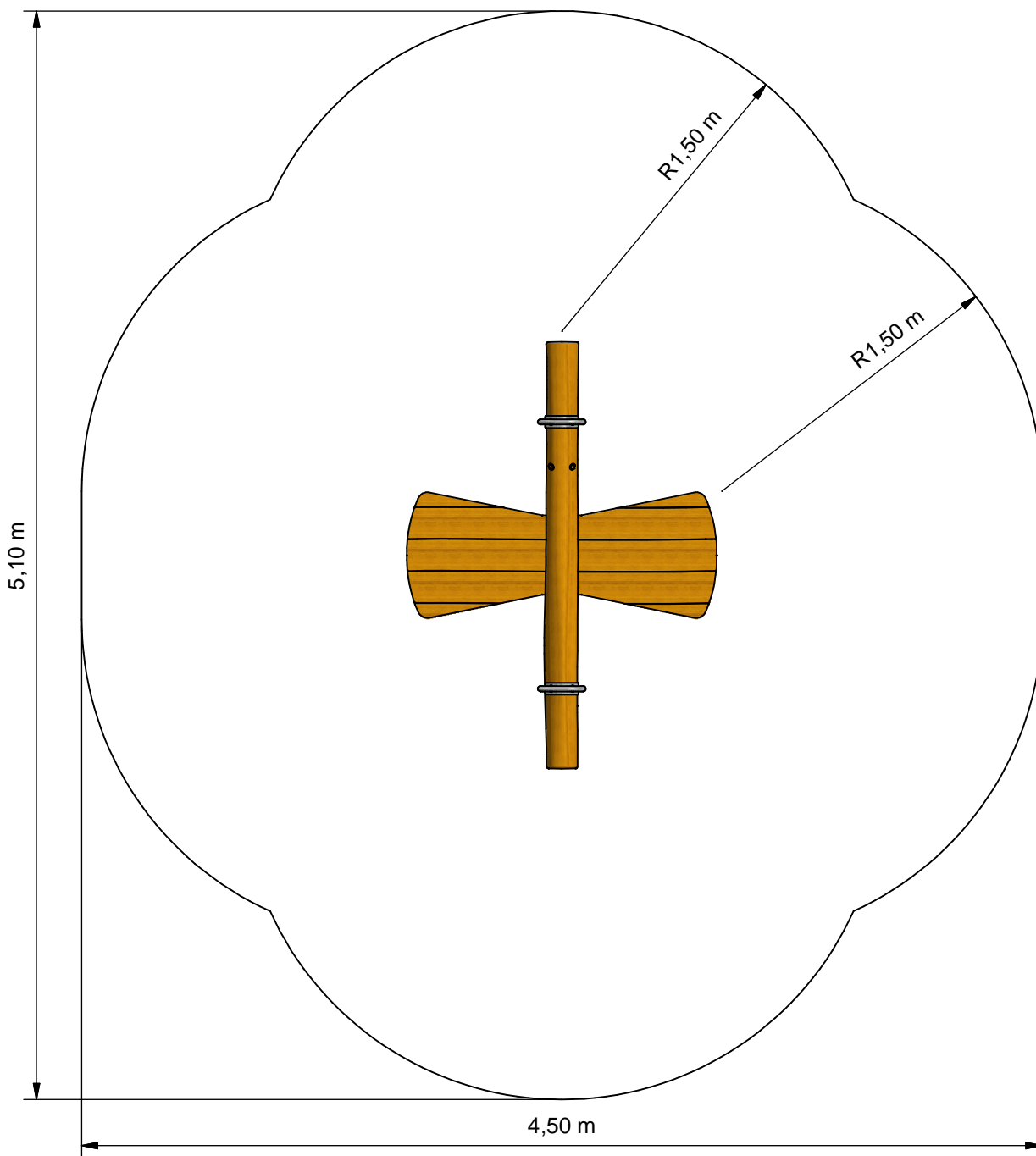




Butterflyseesaw



PSTE000.141



- Opvangzone
Impact area
- Obstakelvrije zone
Obstacle free zone



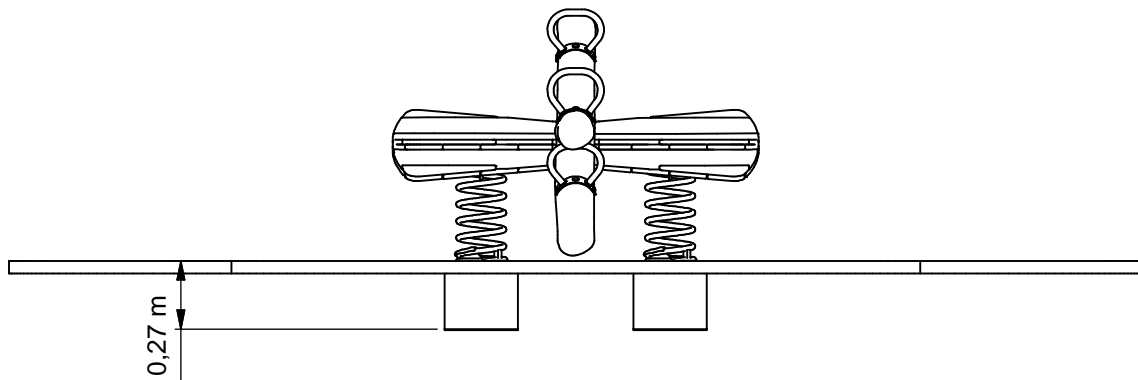
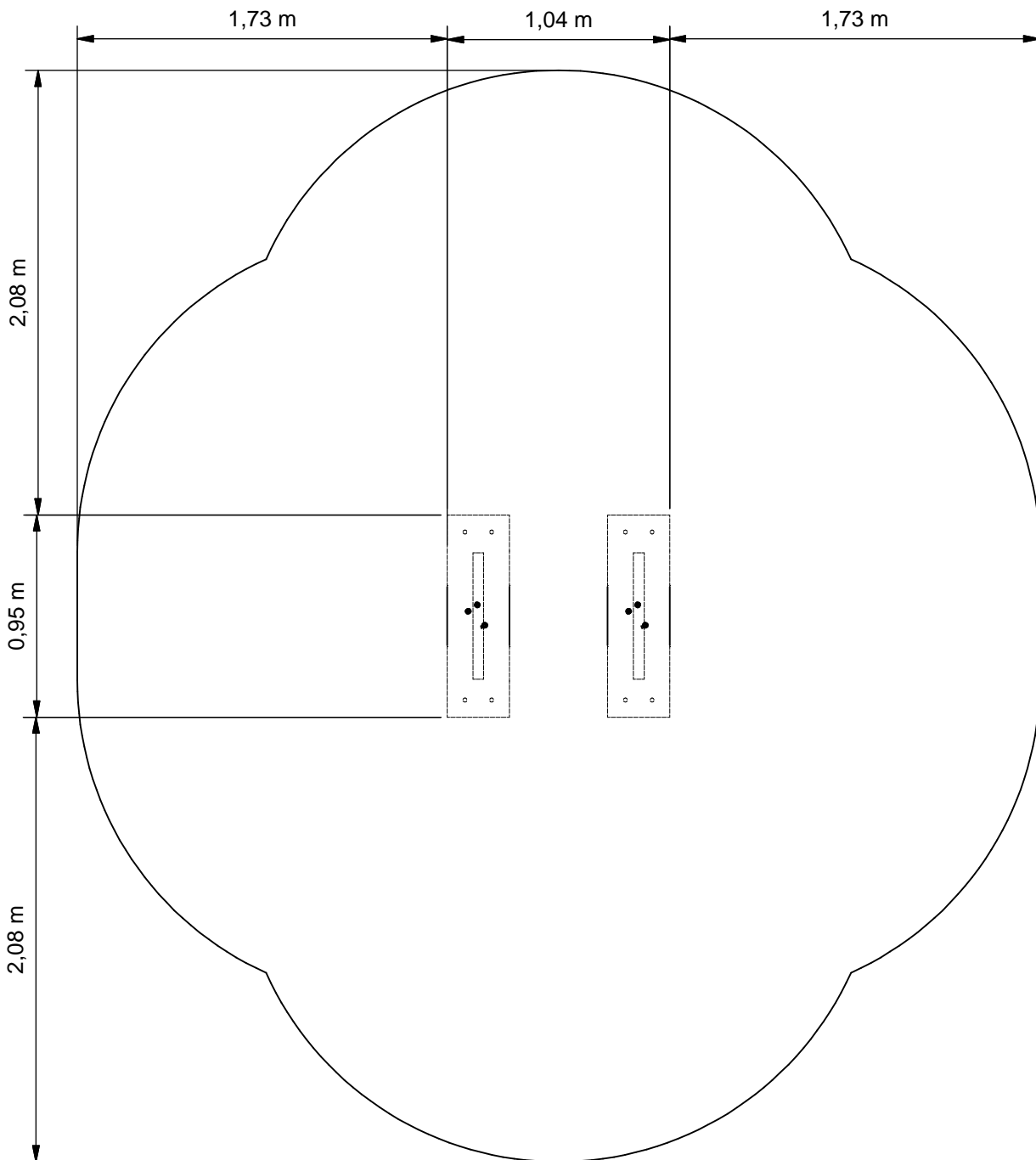
Benaming
Title Vlinderwip

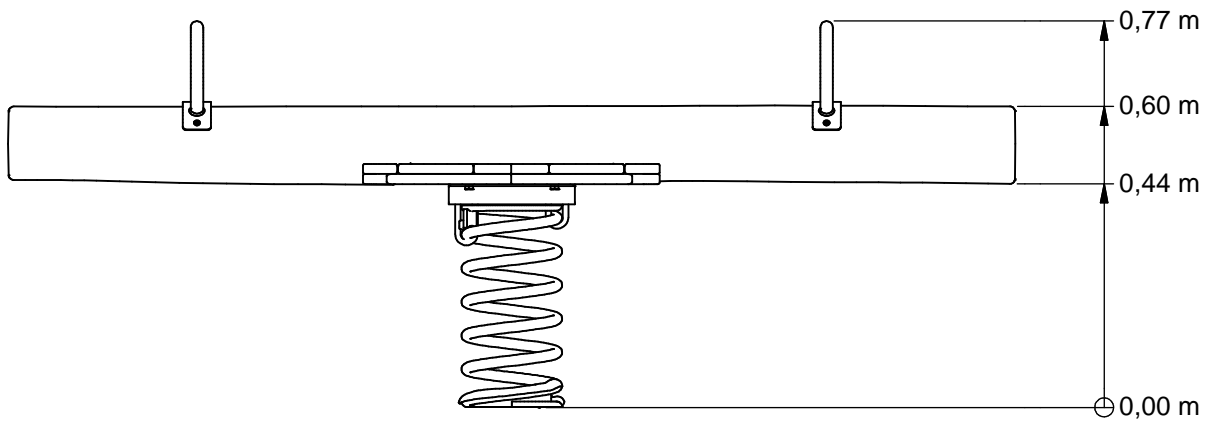
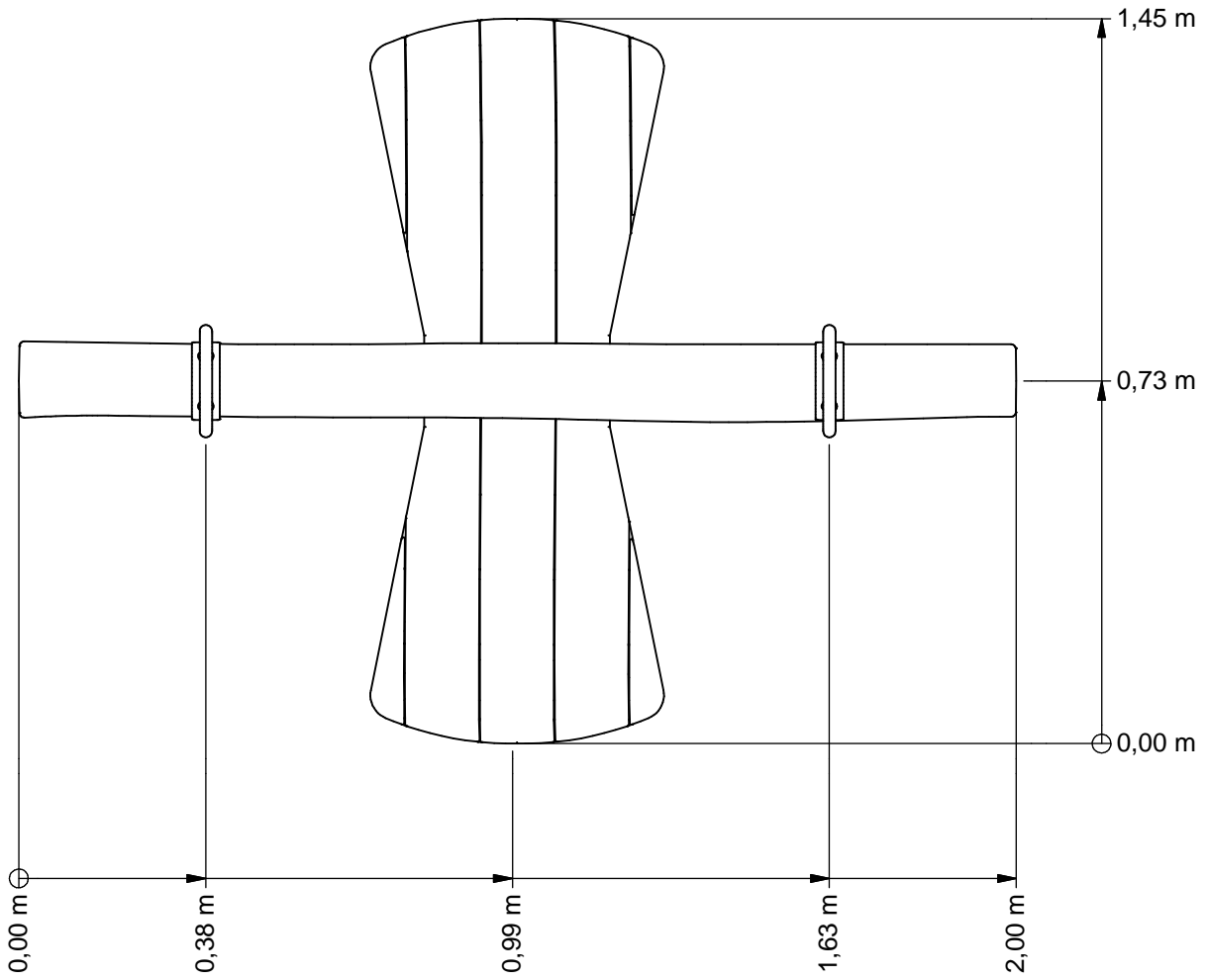
Opmerking
Comment Adventure Play

Datum
Date 16-5-2014

Tekening
Drawing

TOE PST 000 141 A
 Obstakelvrije zone *Obstacle free zone*





Benaming
Title Vlinderwip

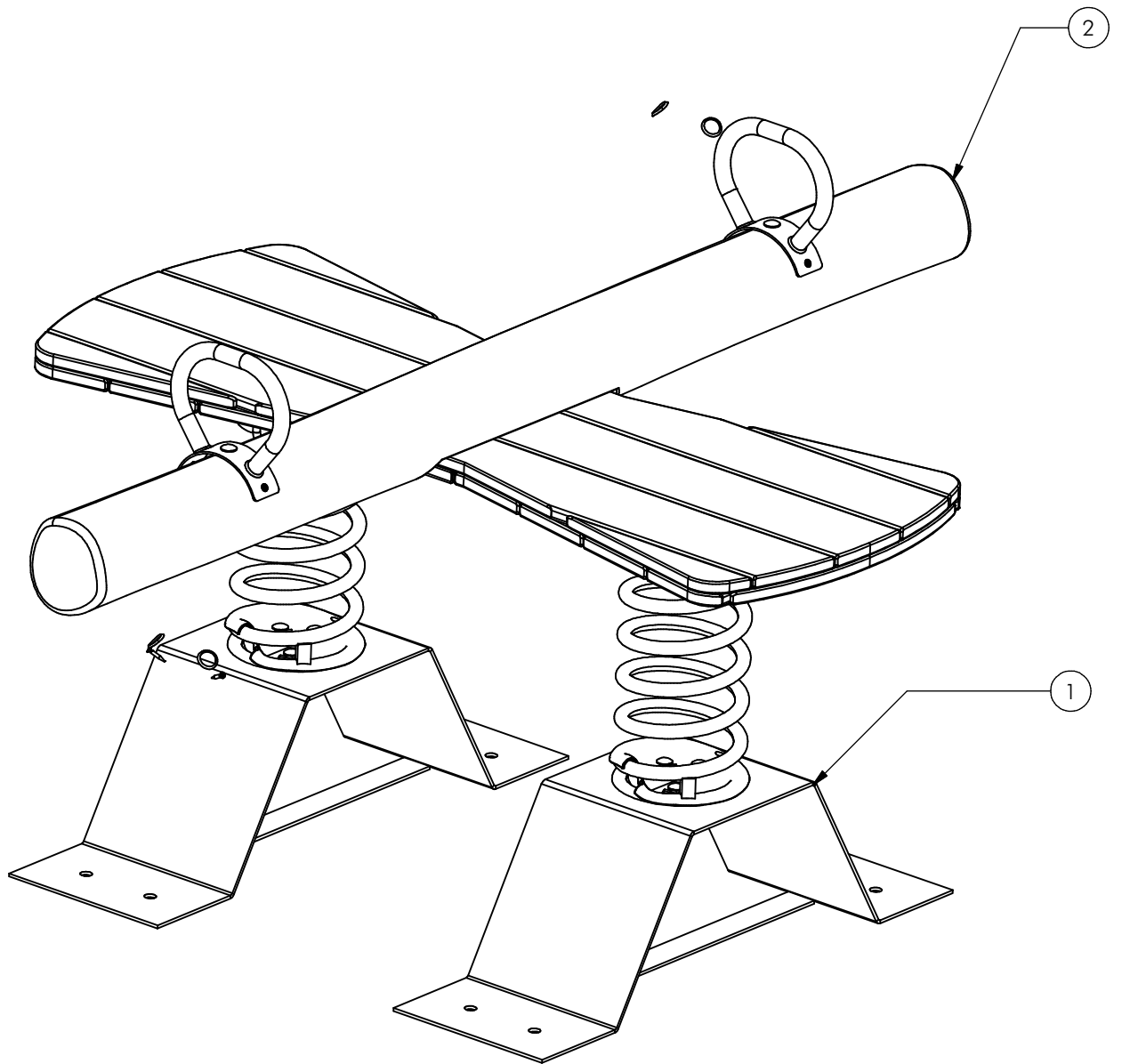
Opmerking
Comment Adventure Play

Datum
Date 16-5-2014

Tekening
Drawing

TOE PST 000 141 A

Afmetingen Dimensions



Nr	#	Type	Progr.	Volgnr	Bew.	Rev.	Benaming	Opmerking
1	2	MOD	PST	006	006		Veerwip	Onderstel
2	1	MOD	PST	006	020		Vlinder	Veerwip



Benaming
Title | Vlinderwip

Opmerking
Comment | Adventure Play

Datum
Date | 16-5-2014

Tekening
Drawing

TOE PST 000 141 A

Modules Modules

Geleverde delen:

A - Wip met onderstel

Bevestiging sets:

1 - n.v.t.

Montagevolgorde:

- 1 - Graaf de gaten volgens het bodemplan en plaats hierin A
- 2 - Controleer of het toestel voldoet aan de afmetingen zoals op blad 'afmetingen'
- 3 - Dicht de gaten en verdicht het zand

Controles:

- 1 - Correcte opbouw en alle bevestigingsmiddelen
- 2 - Zorg dat de uiteinden van de wip op de demper komen
- 3 - Controleer de afmetingen van de valbodem t.o.v. het toestel

Supplied parts:

A - See-saw with support

Mounting kits:

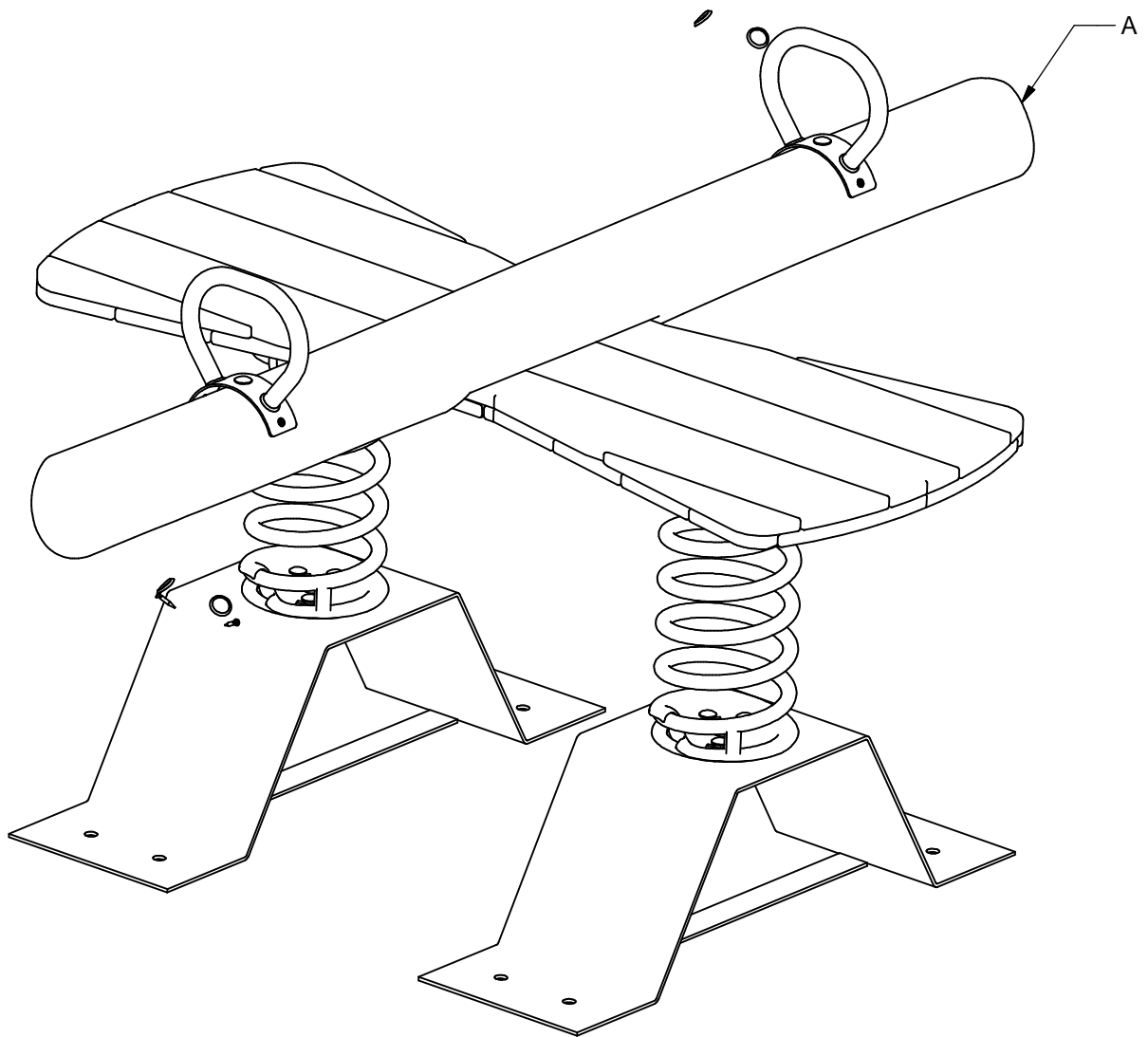
1 - n.a.

Assembly sequence:

- 1 - Dig the holes according to the ground plan and place A
- 2 - Check that the equipment conforms to the dimensions shown on sheet 'dimensions'
- 3 - Close the holes and compact the sand

Checks:

- 1 - Correct assembly and all the fasteners
- 2 - Make sure the ends of the seesaw land on the shock absorber
- 3 - Check the dimensions of the safety area compared to the play equipment



PSTE000.141

Butterflyseesaw

LOGBOOK

(Onderstaand logboek kan gebruikt worden om te voldoen aan de eisen, gesteld in artikel 14 van het Warenwetbesluit Attractie- en Speeltoestellen)

Type indication	Adventure Play
Product code	PSTE000.141
Name of equipment	Vlinderwip
Maximum height of fall	1,0 m
Year of construction	2017
Certificate	025856
inspection authority	TUV Nederland QA BV De Waal 21c, Best - 5684 PH Best
Name manufacturer	BOERplay Hyacintstraat 2 - 4255 HX Nieuwendijk Phone: +31 (0)183 40 23 66 Fax: +31 (0)183 40 35 64
name installer	_____ _____
Description of equipment	Butterflyseesaw
Location of equipment	_____
Data about the owner of the play equipment	
Name:	_____
Address:	_____
Postcode and town:	_____
Contact person:	_____
Telephone number:	_____
Data about the administrator of the play equipment	
Name:	_____
Address:	_____
Postcode and town:	_____
Contact person:	_____
Telephone number:	_____

LOGBOOK

Inspection and maintenance intervals



Nr.	Inspection	Maintenance	months between inspections
1	Verify equipment's stability, junctions and missing parts. Inspect bolts, screws and nuts for absence, jams, corrosion and wear.	Add missing parts, secure joints, apply missing fixing agent and replace corroded parts.	1
2	Check suspension for wear.	Replace worn parts and/or remove non-functioning parts.	1
3	Inspect rotating parts such as hinges, rolling-element bearings, etc. for wear and acceptability.	Replace worn parts and/or remove non-functioning parts.	1
4	Check wood for splinters, unacceptable damage and signs of rot. Especially at ground level.	Repair damage. Replace affected wood. Smoothen splintered wood and sharp edges.	1
5	Inspect foundation for stability, tearing and coverage.	Restore foundation and covering material.	3
6	Examine rubber and synthetic parts for wear, damage and break.	Replace original parts.	3
7	Inspect metal for corrosion and damage in the coating.	Restore any damaged coating (after removing rust and applying primer).	6
8	Check ropes, cables, chains and nets for wear and damage. Steel cables and nets which are tensioned must be checked for tension.	Replace parts where necessary. Steel cables and nets must be tensioned.	3
9	Inspect equipment for unsafe changes and additions.	Remove unsafe additions and correct unsafe changes.	1
10	Inspect safety surfaces.	Restore and repair where necessary.	1

Remarks

1. If used intensively, all points require extra attention.
2. Extreme weather conditions and locations may require a higher inspection frequency. Discuss this with the supplier.
3. Vandalism-sensitive locations require stricter inspections, possibly daily.
4. Check the terrain regularly for items that do not belong there, are unsafe or may be used wrongly. Examples are poisonous plants, glass shards, etc. Frequency depends on strain.
5. Remember that bad maintenance leads to unsafe conditions and notably faster impoverishment of the playground area.
6. Replacement parts can be ordered at the manufacturer with the part numbers on the module drawing. Drawings can be found in de user guide.
7. The impact area shall be provided with impact attenuating surface according to the specified falling height.
8. This list is conform the CEN-standard "playground equipment and surfacing NEN-EN 1176-7".

Warenwet

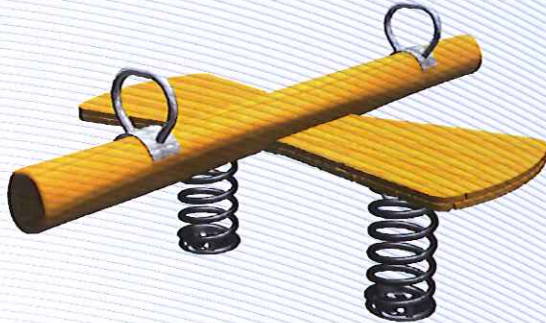
Certificaat van Typeonderzoek Type Examination Certificate

afgegeven door issued by

TÜV Nederland QA BV

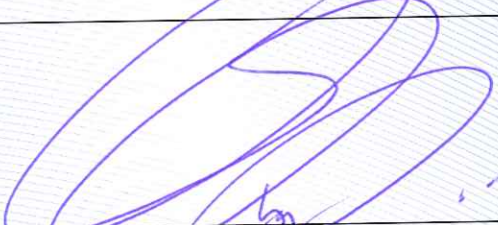


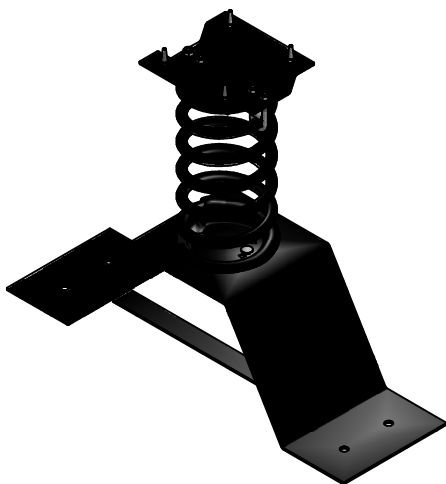
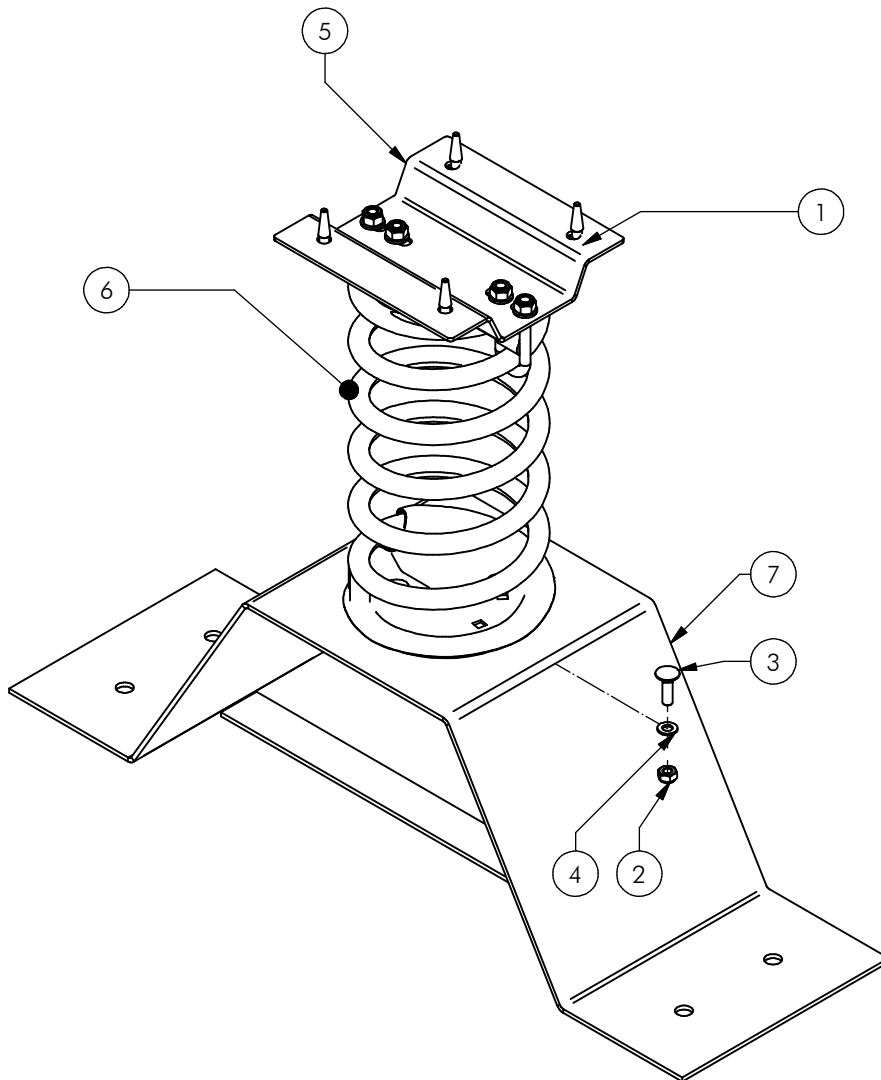
aangewezen bij ministeriële beschikking van 4 mei 2012, nr. VGP 3113590
commissioned by departmental order of 4 May 2012, no. VGP 3113590

Certificaat nr. Certificate nr.	025856TF_20140604	Dossiernr. File nr.	025856TF
Productomschrijving Product description	Vlinderwip		
Evt. nadere aanduidingen Further indications			
voor nadere informatie zie bijbehorend rapport met gelijklopend dossiernr. for further information see associated report with identical file nr.			
Eigenaar / certificaathouder en adres Owner/certificate holder and address	Boer Speeltoestellen B.V. Hyacintstraat 2 4255 HX NIEUWENDIJK		
Soort toestel Category of equipment	Speeltoestel / Playground equipment		
Fabrikant Manufacturer	Boer Speeltoestellen B.V. Hyacintstraat 2 4255 HX NIEUWENDIJK		
Type/Serienummer Type/Serial number	PST.000.141 /		in te vullen door de fabrikant to be filled out by the manufacturer
Jaar van fabricage Year of construction	vanaf since 2013		
Leverancier Supplier	Boer Speeltoestellen B.V. Hyacintstraat 2 4255 HX NIEUWENDIJK		
Jaar van leverantie Year of supply			in te vullen door de leverancier to be filled out by the supplier
Datum keuring Date of examination	16-03-2012 – 09-01-2013, 04-06-2014 (modificatie)		

TÜV Nederland QA BV, de Waal 21C, NL-5684 PH Best verklaart, dat het bovenaangehaalde toestel voldoet aan de vervaardigingvoorschriften genoemd in het Warenwetbesluit attractie- en speeltoestellen (met als leidraad de normatieve documenten NEN-EN 1176:2008).

TÜV Nederland QA BV declares that the here above mentioned equipment meets the safety and health requirements mentioned in the Dutch law "Warenwetbesluit attractie- en speeltoestellen" (guided by normative documents EN 1176:2008).

<p>Namens het bestuur, For the board,</p> <p>A.C. Boon Directeur</p>	
------------------------------------------------------------------------------	--------------------------------------------------------------------------------------



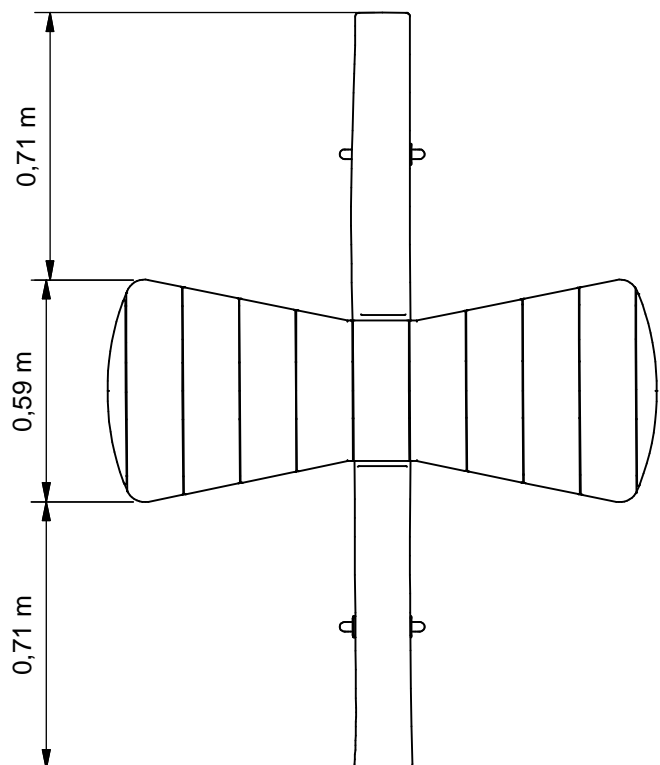
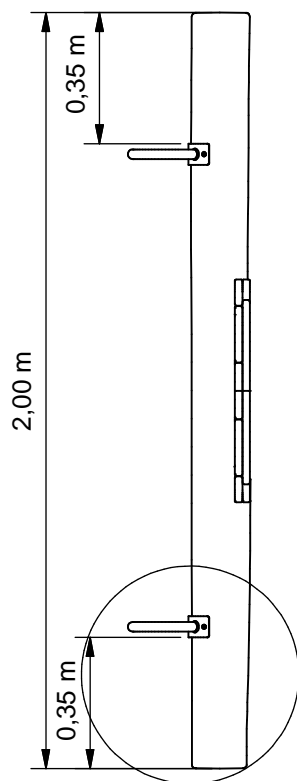
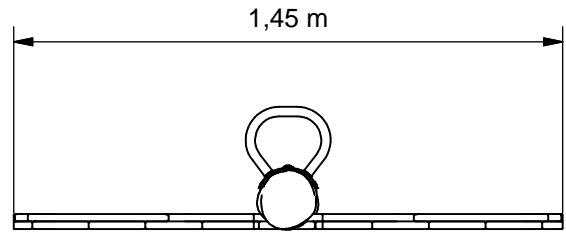
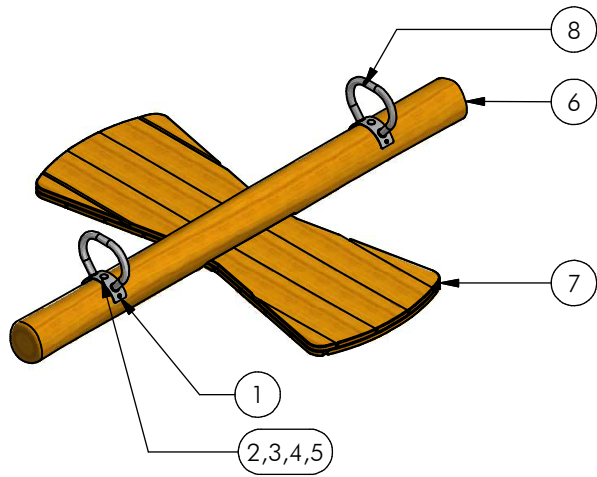
Nr	#	Type	Progr.	Volgnr	Bew.	Rev.	Benaming	Opmerking
1	4	BSR	022	010	040		Houtdraadbout	ø10 X 40 - RVS A2-70
2	3	BSV	010	010	010		Borgmoer	M10 - VZ 8.8
3	3	BSV	026	010	035		SLOTBOUT	M10x35
4	3	BSV	030	010	002		Sluitring	M10 - VZ 8.8
5	1	OME	PST	023	372		Bevestigingsplaat	Veertoestel
6	1	SMD	VER	200	905		Veer 40 cm, Ø 20 cm	Schotel en U-bouten
7	1	SME	MNP	016	372		grondanker	veerwip



Benaming Title Veerwip
 Opmerking Comment Onderstel
 Datum Date 21-7-2011

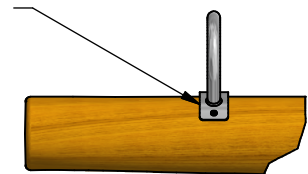
Tekening Drawing

MOD PST 006 006 A
 Samenstelling module Assembly module



LET OP!

Bij montage van de beugel, eerst midden schroeven, daarna beugel passend maken op de paal en als laatste de zijkanten vastschroeven. Kier moet < 8mm zijn!



Nr	#	Type	Progr.	Volgnr	Bew.	Rev.	Benaming	Opmerking
1	4	BSR	002	005	030		Schroef Assy	5 x 30 - RVS A2-70
2	2	BSR	012	010	020		DOPMOER	RVS M10
3	2	BSR	026	010	130		Slotbout	M10 x 130 - RVS A2-70
4	2	BSR	030	010	002		SLUITRING	M10
5	2	BSR	032	010	002		Veerring groot	M10 - RVS A2-70
6	1	OHO	PST	116	004		Paal Ø14-Ø16	Vlinder - L=2000
7	1	SHO	PST	001	001		Vlinderwip	Vleugel
8	2	SME	PST	053	320	A	Handgreep	R & T