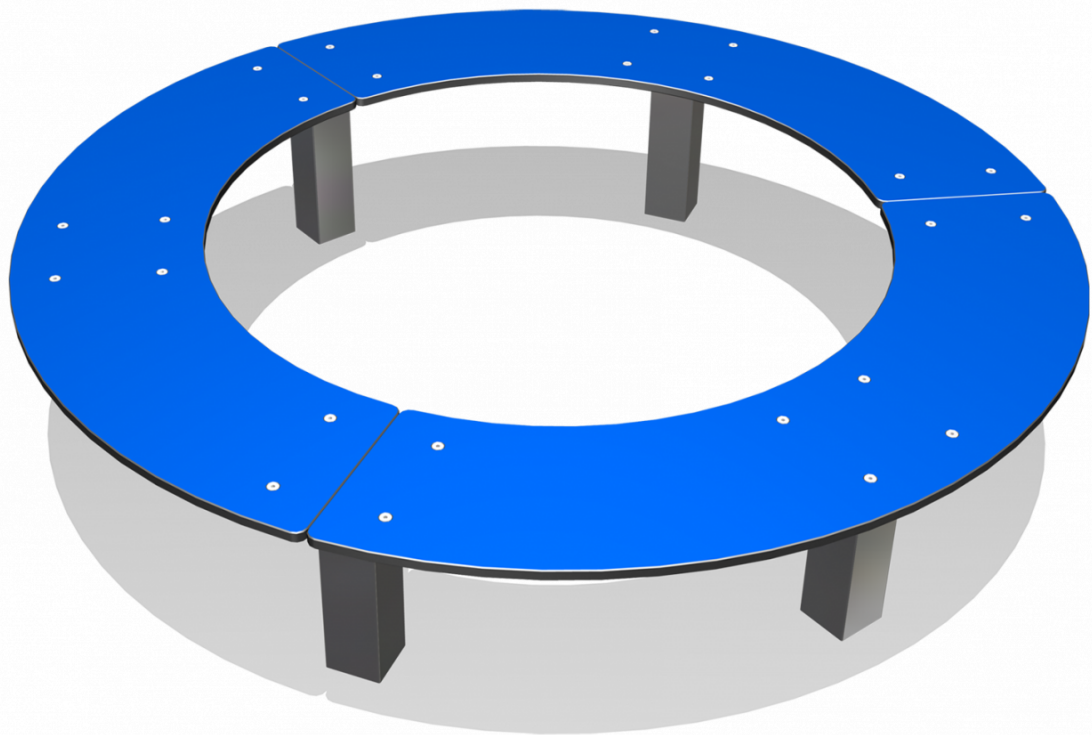
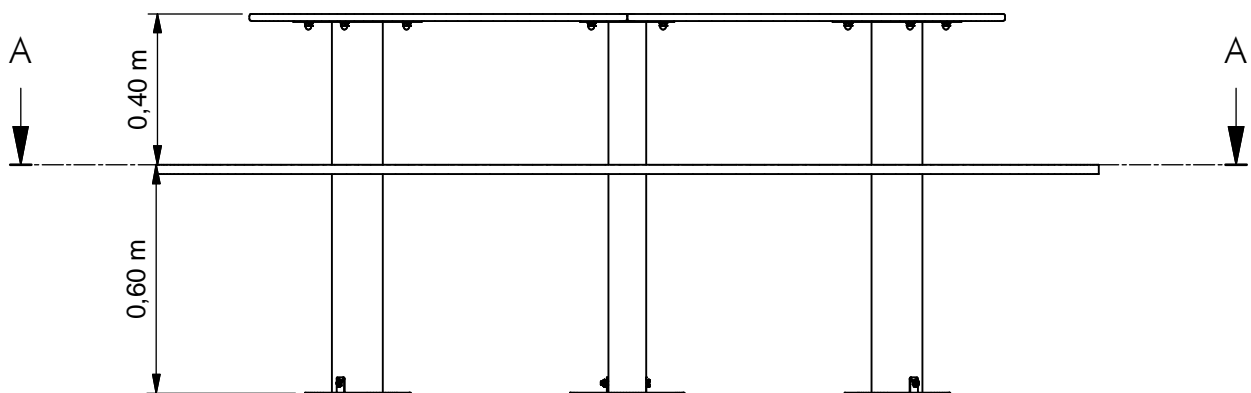
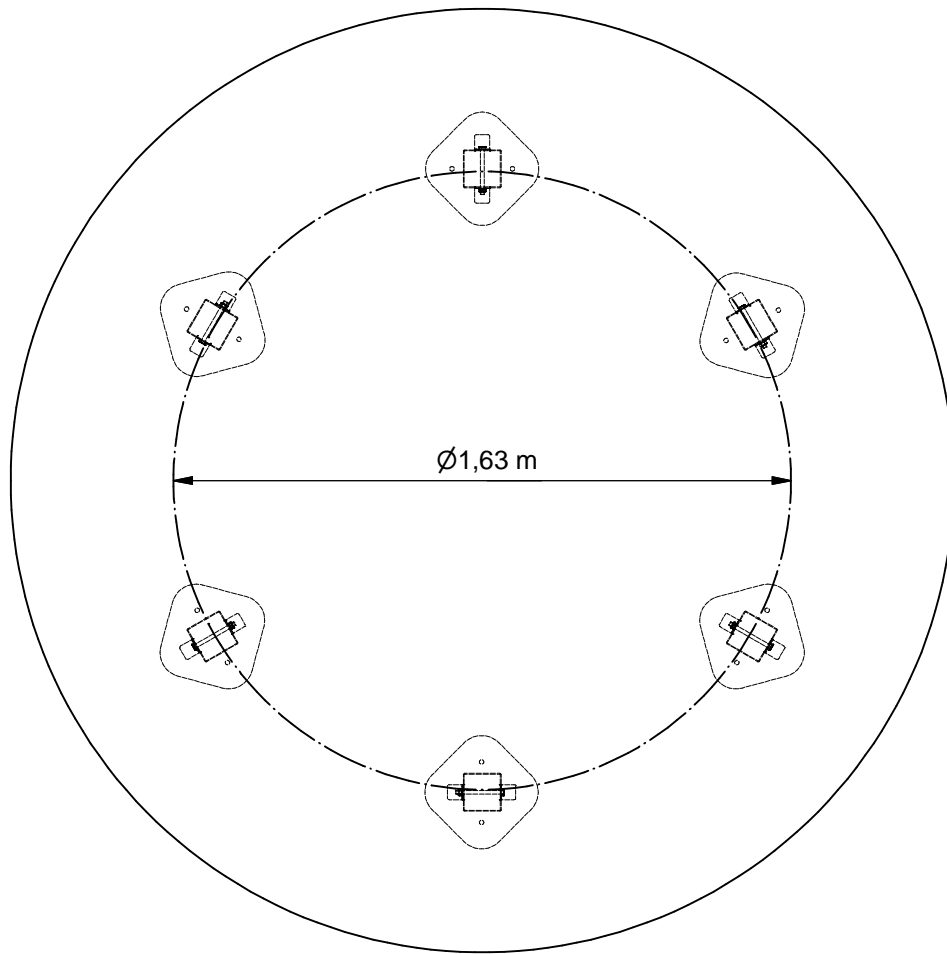




Tree bench without table



PKNE040.012

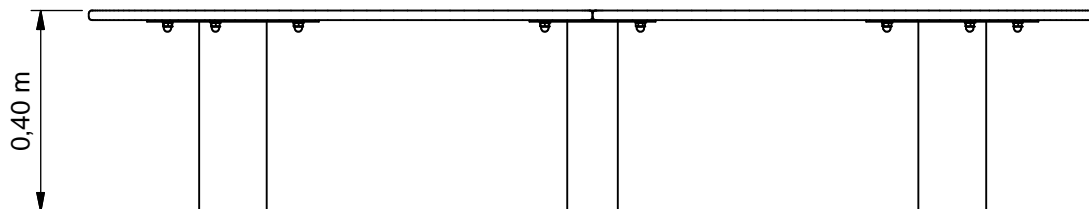
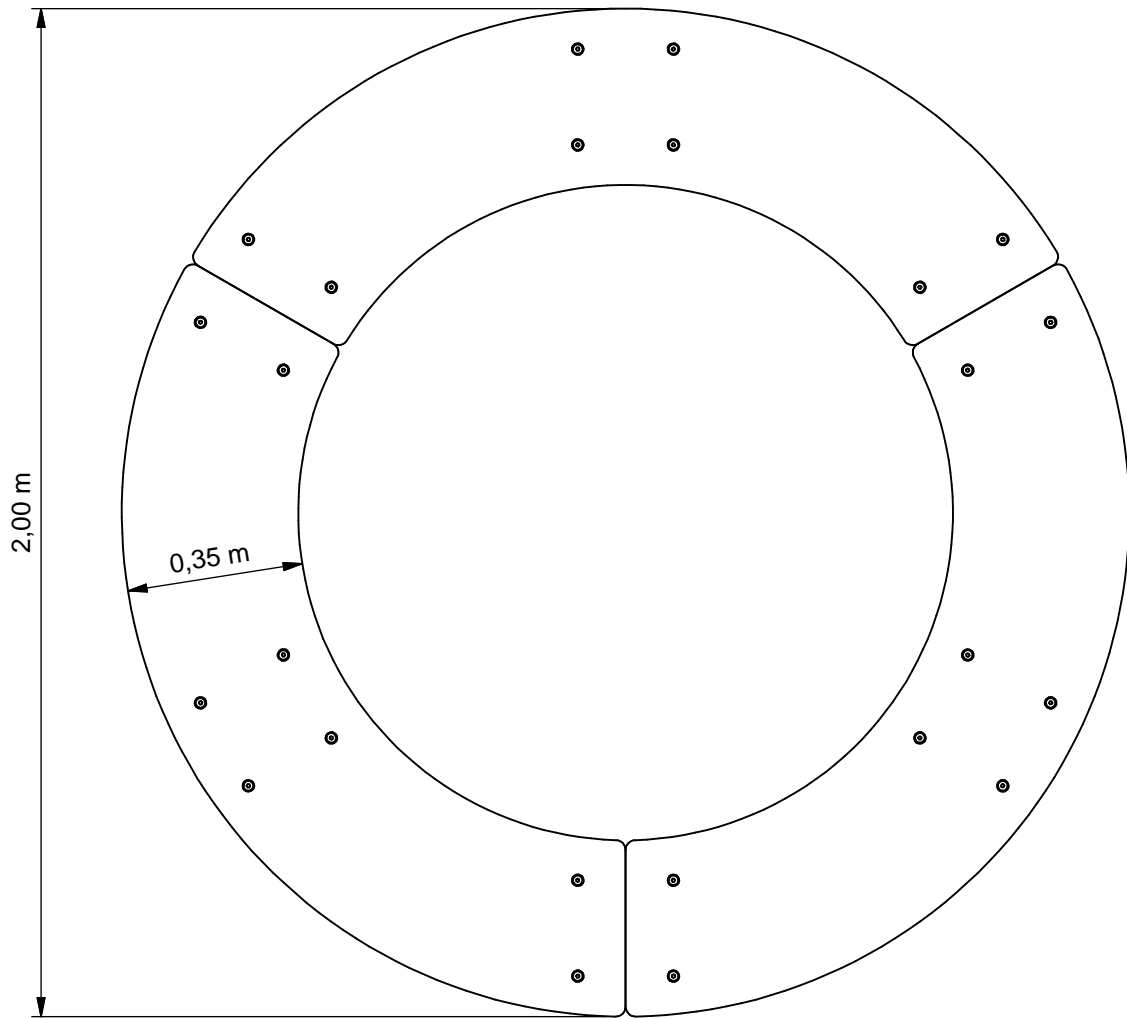


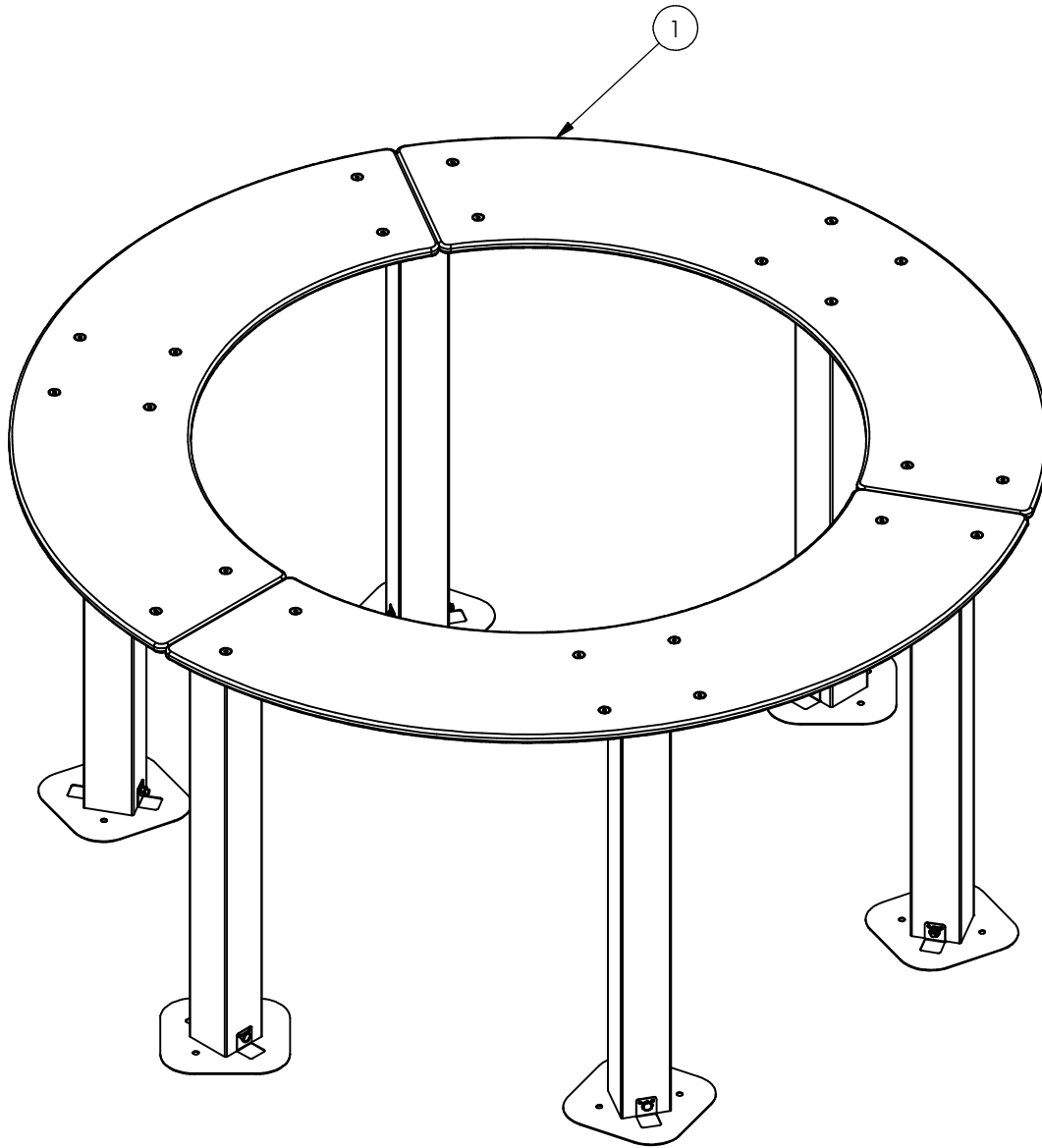
Benaming / Title: RONDE BANK
 Opmerking / Comment: PIKNIK
 Datum / Date: 6-10-2005

Tekening / Drawing

TOE PKN 040 012

Bodemplan *Groundplan*





Nr.	#	Type	Progr.	Volgnr.	Bew.	Rev.	Benaming	Opmerking
1	1	MOD	PKN	040	012	A	BOOMBANK	ZONDER TAFEL



Benaming
Title | RONDE BANK

Opmerking
Comment | PIKNIK

Datum
Date | 6-10-2005

Tekening
Drawing

TOE PKN 040 012

Modules Modules

PKNE040.012

Tree bench without table

LOGBOOK

(Onderstaand logboek kan gebruikt worden om te voldoen aan de eisen, gesteld in artikel 14 van het Warenwetbesluit Attractie- en Speeltoestellen)

Type indication	Streetfurniture
Product code	PKNE040.012
Name of equipment	Boombank zonder tafel
Maximum height of fall	n.a.
Year of construction	2017
Certificate	0183402366
inspection authority	NVT -
Name manufacturer	BOERplay Hyacintstraat 2 - 4255 HX Nieuwendijk Phone: +31 (0)183 40 23 66 Fax: +31 (0)183 40 35 64
name installer	_____ _____
Description of equipment	Tree bench without table
Location of equipment	_____
Data about the owner of the play equipment	
Name:	_____
Address:	_____
Postcode and town:	_____
Contact person:	_____
Telephone number:	_____
Data about the administrator of the play equipment	
Name:	_____
Address:	_____
Postcode and town:	_____
Contact person:	_____
Telephone number:	_____

LOGBOOK

Inspection and maintenance intervals



Nr.	Inspection	Maintenance	months between inspections
1	Verify equipment's stability, junctions and missing parts. Inspect bolts, screws and nuts for absence, jams, corrosion and wear.	Add missing parts, secure joints, apply missing fixing agent and replace corroded parts.	1
2	Check suspension for wear.	Replace worn parts and/or remove non-functioning parts.	1
3	Inspect rotating parts such as hinges, rolling-element bearings, etc. for wear and acceptability.	Replace worn parts and/or remove non-functioning parts.	1
4	Check wood for splinters, unacceptable damage and signs of rot. Especially at ground level.	Repair damage. Replace affected wood. Smoothen splintered wood and sharp edges.	1
5	Inspect foundation for stability, tearing and coverage.	Restore foundation and covering material.	3
6	Examine rubber and synthetic parts for wear, damage and break.	Replace original parts.	3
7	Inspect metal for corrosion and damage in the coating.	Restore any damaged coating (after removing rust and applying primer).	6
8	Check ropes, cables, chains and nets for wear and damage. Steel cables and nets which are tensioned must be checked for tension.	Replace parts where necessary. Steel cables and nets must be tensioned.	3
9	Inspect equipment for unsafe changes and additions.	Remove unsafe additions and correct unsafe changes.	1
10	Inspect safety surfaces.	Restore and repair where necessary.	1

Remarks

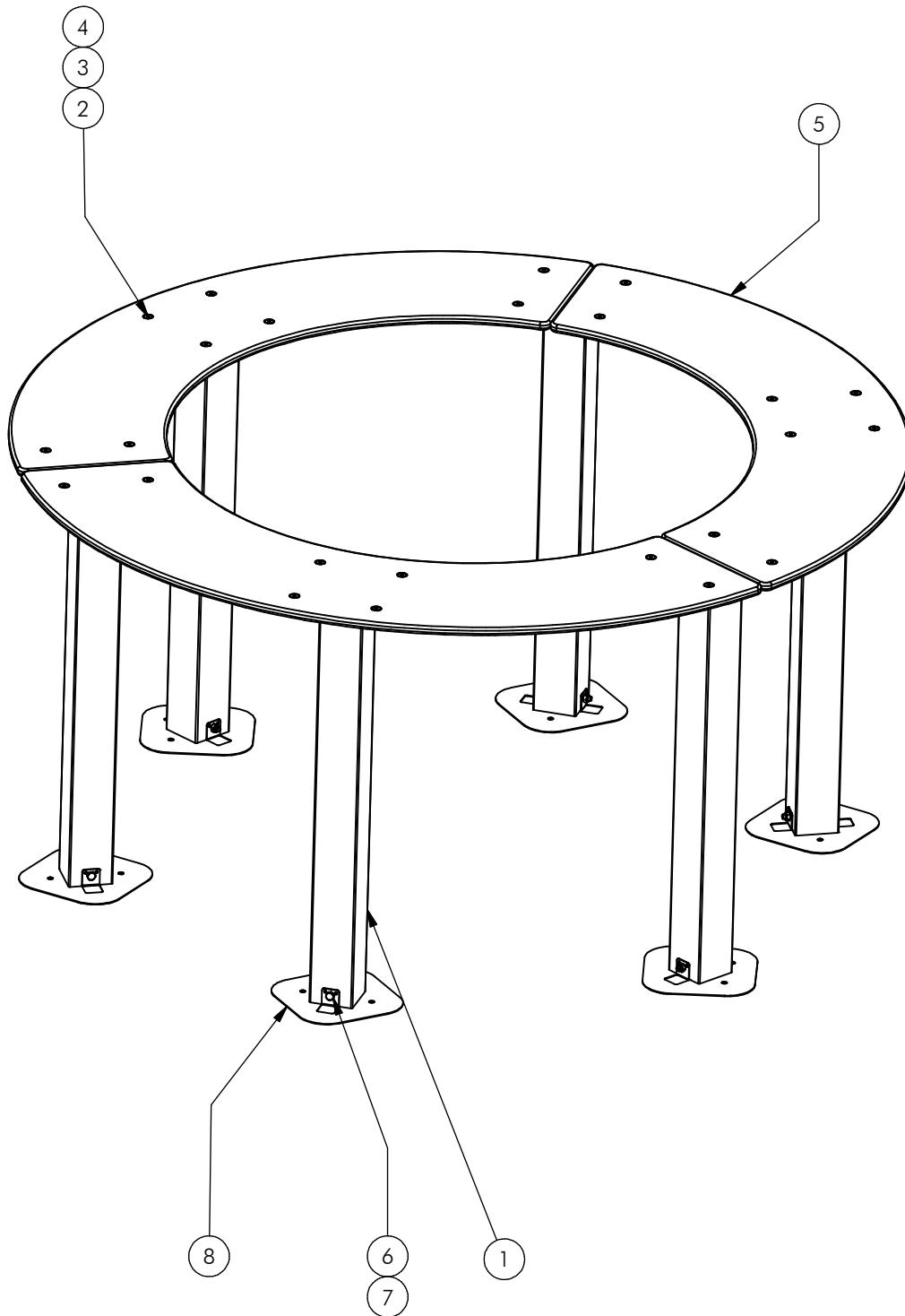
1. If used intensively, all points require extra attention.
2. Extreme weather conditions and locations may require a higher inspection frequency. Discuss this with the supplier.
3. Vandalism-sensitive locations require stricter inspections, possibly daily.
4. Check the terrain regularly for items that do not belong there, are unsafe or may be used wrongly. Examples are poisonous plants, glass shards, etc. Frequency depends on strain.
5. Remember that bad maintenance leads to unsafe conditions and notably faster impoverishment of the playground area.
6. Replacement parts can be ordered at the manufacturer with the part numbers on the module drawing. Drawings can be found in de user guide.
7. The impact area shall be provided with impact attenuating surface according to the specified falling height.
8. This list is conform the CEN-standard "playground equipment and surfacing NEN-EN 1176-7".



Dit toestel is geen speeltoestel conform het warenwetbesluit attractie- en speeltoestellen, en is dus niet als zodanig gecertificeerd.

This equipment is not playground equipment, so it has not been certified as such.





Nr.	#	Type	Progr.	Volgnr.	Bew.	Rev.	Benaming	Opmerking
1	6	SME	PKN	010	320	A	ONDERSTEUN	BANK
2	24	BSR	024	010	035		Verzonken bout	M10 x 35 - RVS A2-70
3	24	BSR	030	010	002		SLUITRING	M10
4	24	BSR	011	010	020		DOPMOER	BORG RVS M10
5	3	OPE	PKN	010	050	B	ZITSEGMENT	RONDE PKN
6	6	BSV	021	010	120		Zeskantbout ISO 4014	M10 x 120 - VZ 8.8
7	6	BSV	010	010	010		Borgmoer	M10 - VZ 8.8
8	6	OME	VRB	903	VZP	C	Voetplaat	100 x 100



Benaming
Title BOOMBANK

Opmerking
Comment ZONDER TAFEL

Datum
Date 22-9-2017

Tekening
Drawing

MOD PKN 040 012 A
 Samenstelling module *Assembly module*