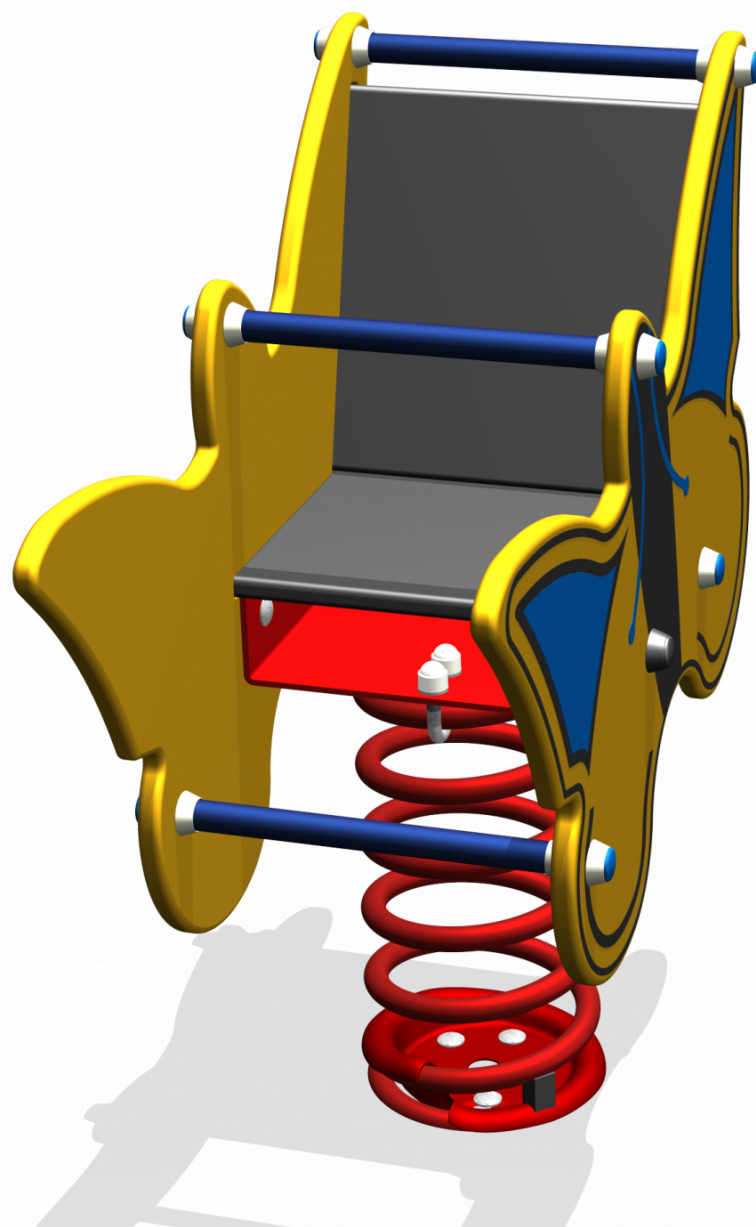
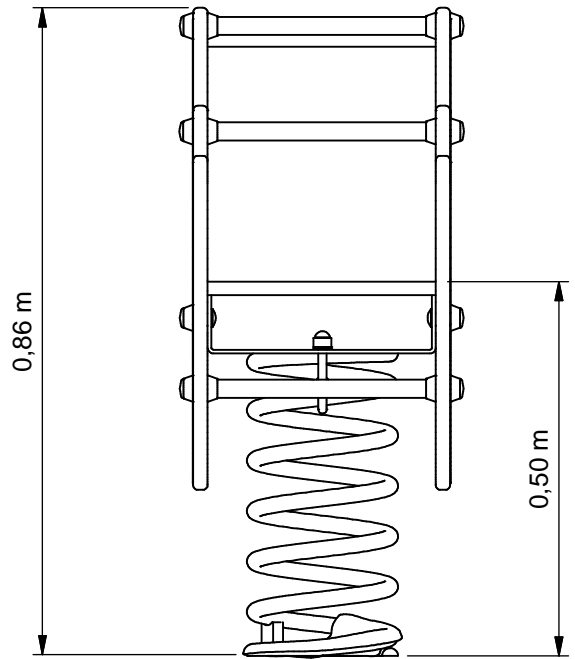
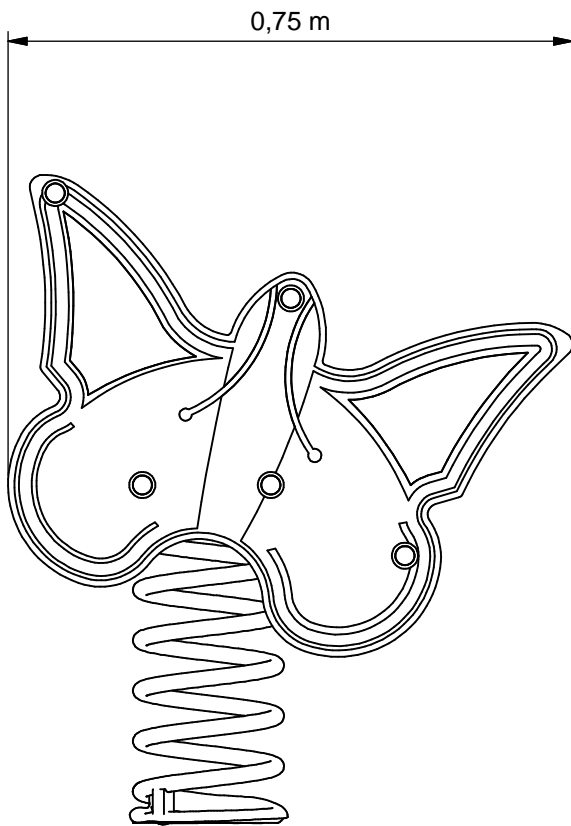
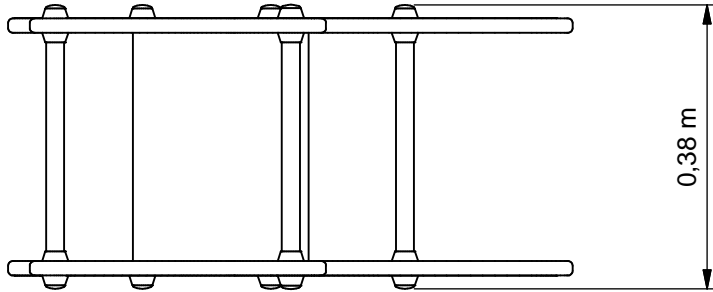


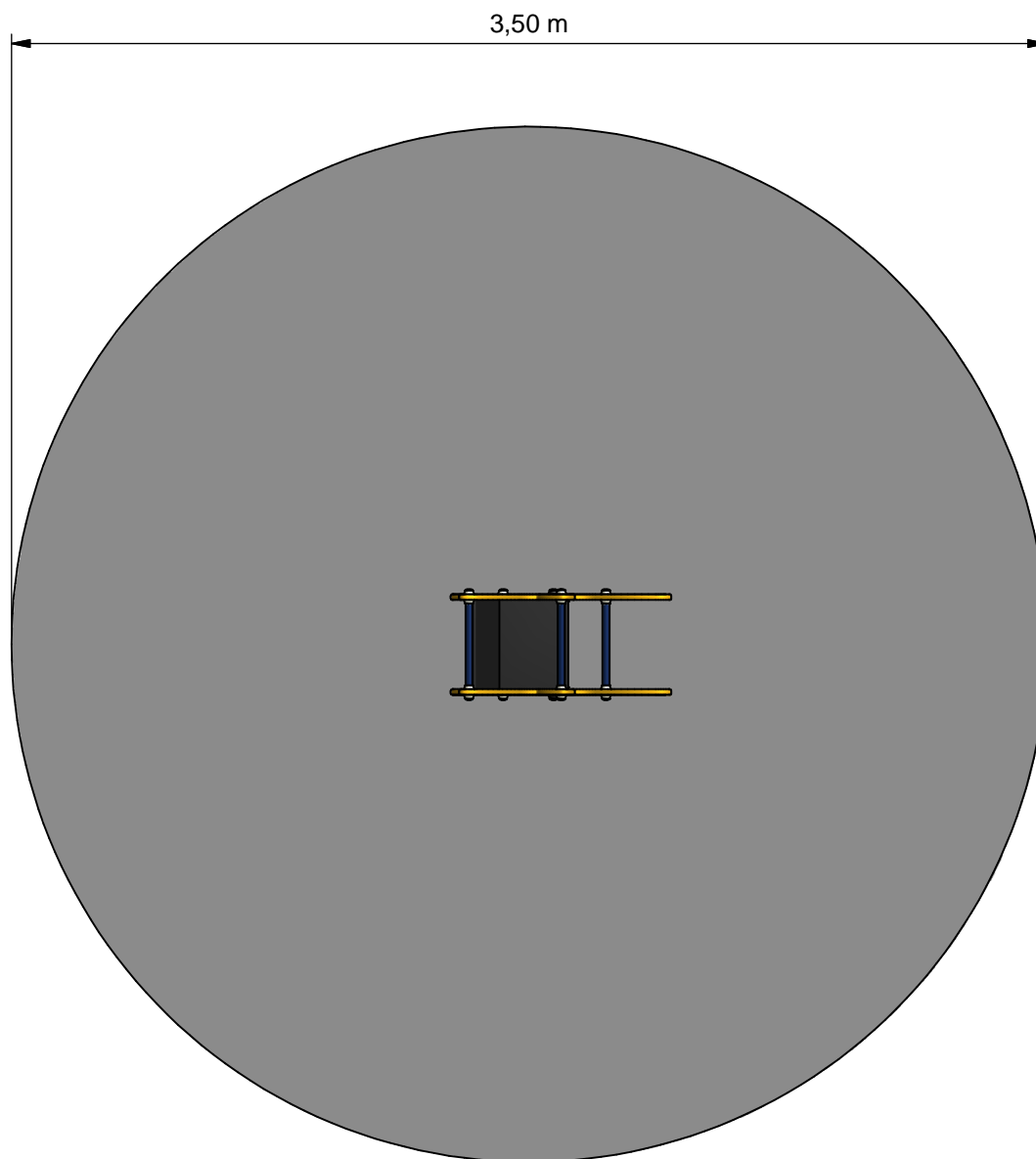


Butterfly



MNPE716.001





- Opvangzone
Impact area
- Obstakelvrije zone
Obstacle free zone



Benaming
Title | Vlinder _____

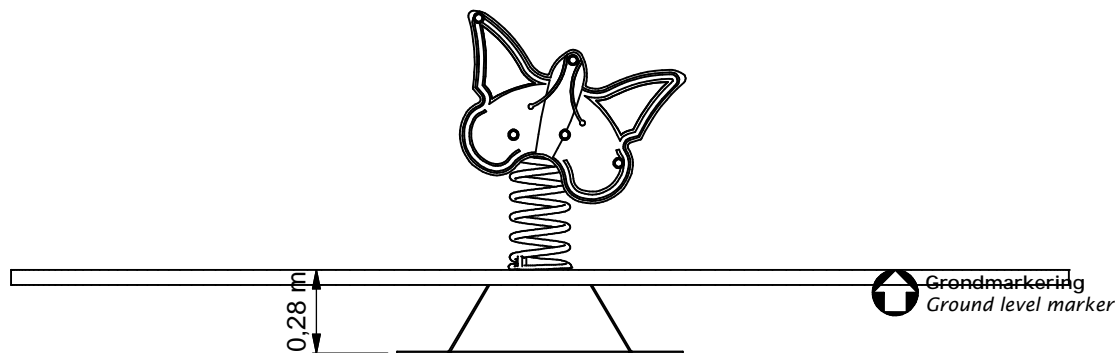
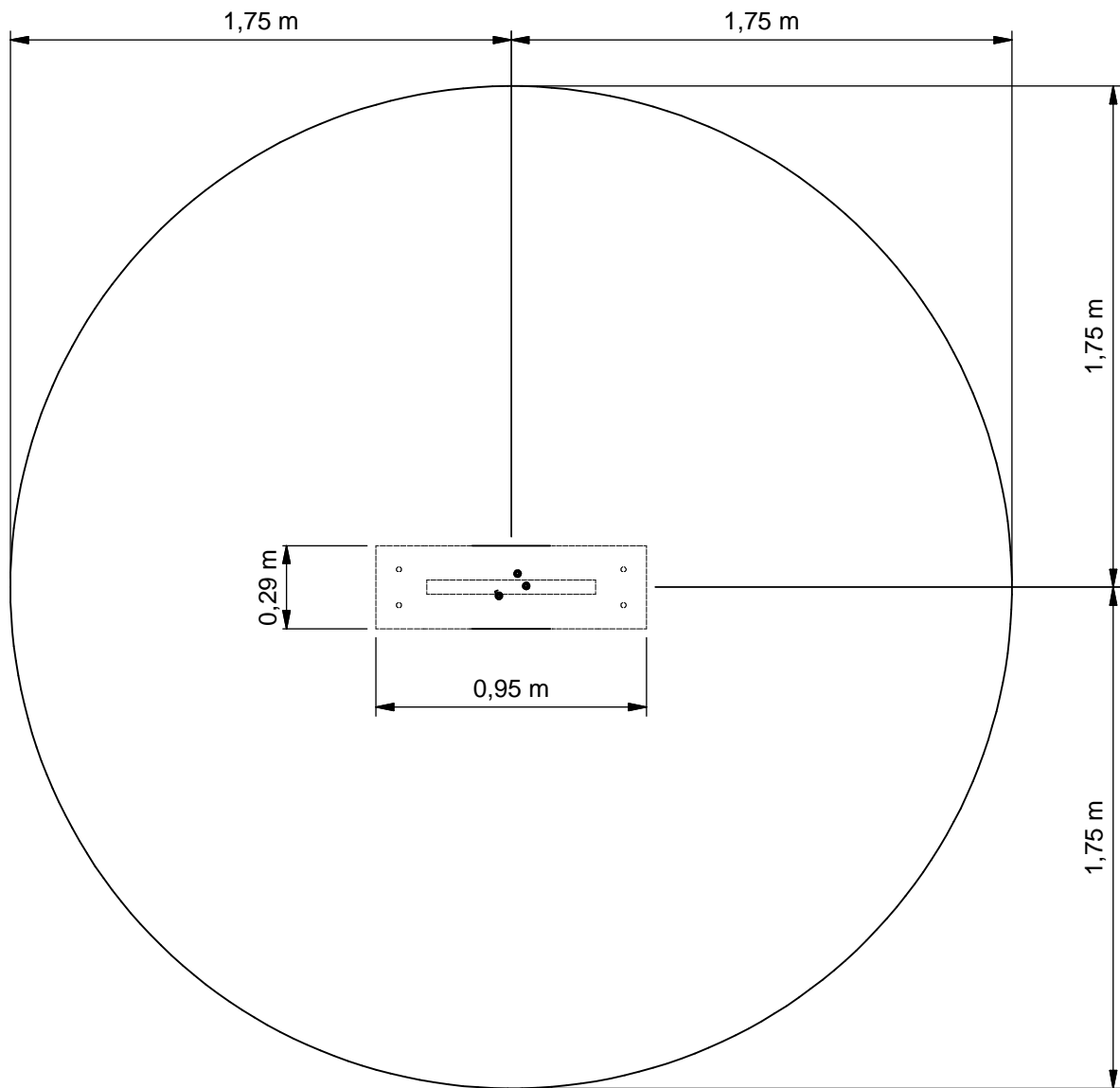
Opmerking
Comment | Mini Play _____

Datum
Date | 17-3-2015 _____

Tekening
Drawing

TOE MNP 716 001

Obstakelvrije zone *Obstacle free zone*



Benaming
Title | Vlinder
Opmerking
Comment | Mini Play
Datum
Date | 17-3-2015

Tekening
Drawing

TOE MNP 716 001

Bodemplan *Groundplan*

Geleverde modules:

Zie tabel

Supplied modules:

See table

Montageinstructie:

- De hoofdmaten geven de maten van de standers en vloeren aan
- De detailtekeningen geven specifiek de maten van de verbindingen aan
- De modules met buizen zijn op de tekeningen bemaat op bovenkant kopplaat
- Overige modules zijn bemaat op de bovenkant (klimwanden, paalkappen, etc.)

Assembly instruction:

- The main dimensions indicate the dimensions of the posts and floors
- The detailed dimensions show the specific dimensions of the connections
- The modules which contain tubes are dimensioned at the top of the flanges
- Other modules are dimensioned at the top (climbing walls, caps for the posts, etc.)

Montagevolgorde:

- 1 - Graaf de gaten volgens het bodemplan
- 2 - Plaats 1+2
- 3 - Controleer of het toestel voldoet aan de afmetingen zoals op blad 'afmetingen'
- 4 - Dicht de gaten en verdicht het zand

Assembly sequence:

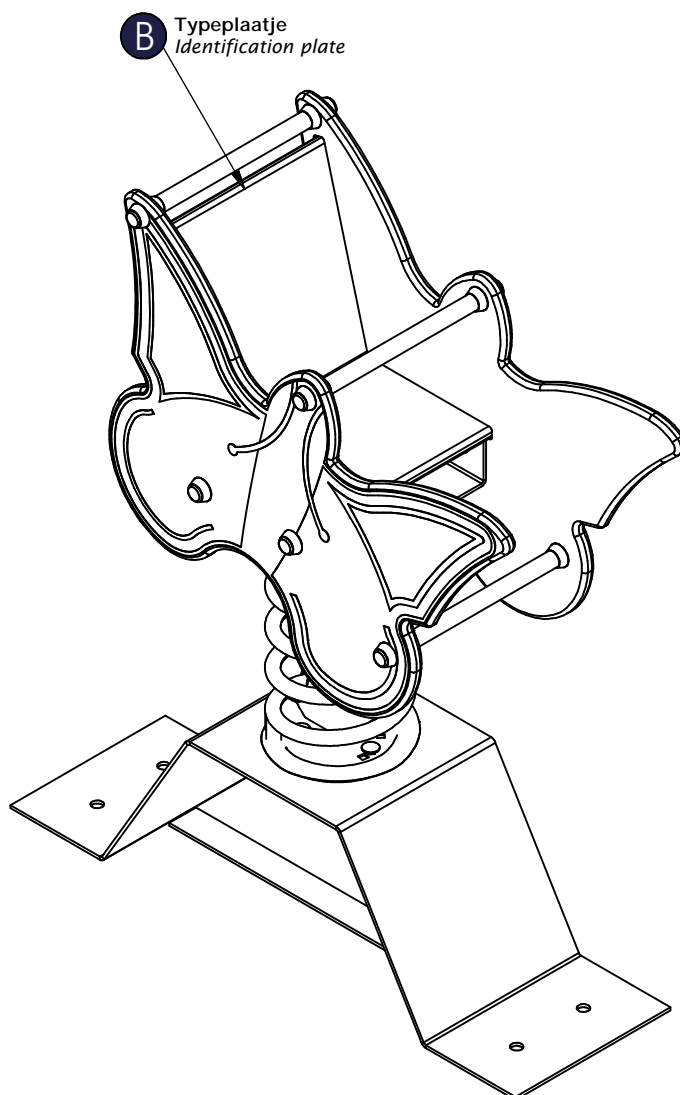
- 1 - Dig the holes according to the ground plan
- 2 - Place 1+2
- 3 - Check that the equipment conforms to the dimensions shown on sheet 'dimensions'
- 4 - Close the holes and compact the sand

Controles:

- 1 - Correcte opbouw en alle bevestigingsmiddelen
- 2 - Controleer de afmetingen van de valbodem t.o.v. het toestel

Checks:

- 1 - Correct assembly and all the fasteners
- 2 - Check the dimensions of the safety area with regard to the play equipment



Nr	#	Type	Progr.	Volgnr	Bew.	Rev.	Benaming	Opmerking
1	1	MOD	MNP	343	026		Vlinder	Mini Play
2	1	MOD	MNP	343	008		Veerwip	Onderstel



Benaming
Title | Vlinder

Opmerking
Comment | Mini Play

Datum
Date | 17-3-2015

Tekening
Drawing

TOE MNP 716 001

Modules Modules

MNPE716.001

Butterfly

LOGBOOK

(Onderstaand logboek kan gebruikt worden om te voldoen aan de eisen, gesteld in artikel 14 van het Warenwetbesluit Attractie- en Speeltoestellen)

Type indication	Mini Play
Product code	MNPE716.001
Name of equipment	Vlinder
Maximum height of fall	< 0,6 m
Year of construction	2017
Certificate	4432004346570008
inspection authority	TUV Nord Langemarckstrasse 20, Essen - 45141 Essen
Name manufacturer	BOERplay Hyacintstraat 2 - 4255 HX Nieuwendijk Phone: +31 (0)183 40 23 66 Fax: +31 (0)183 40 35 64
name installer	_____ _____
Description of equipment	Butterfly
Location of equipment	_____
Data about the owner of the play equipment	
Name:	_____
Address:	_____
Postcode and town:	_____
Contact person:	_____
Telephone number:	_____
Data about the administrator of the play equipment	
Name:	_____
Address:	_____
Postcode and town:	_____
Contact person:	_____
Telephone number:	_____

LOGBOOK

Inspection and maintenance intervals



Nr.	Inspection	Maintenance	months between inspections
1	Verify equipment's stability, junctions and missing parts. Inspect bolts, screws and nuts for absence, jams, corrosion and wear.	Add missing parts, secure joints, apply missing fixing agent and replace corroded parts.	1
2	Check suspension for wear.	Replace worn parts and/or remove non-functioning parts.	1
3	Inspect rotating parts such as hinges, rolling-element bearings, etc. for wear and acceptability.	Replace worn parts and/or remove non-functioning parts.	1
4	Check wood for splinters, unacceptable damage and signs of rot. Especially at ground level.	Repair damage. Replace affected wood. Smoothen splintered wood and sharp edges.	1
5	Inspect foundation for stability, tearing and coverage.	Restore foundation and covering material.	3
6	Examine rubber and synthetic parts for wear, damage and break.	Replace original parts.	3
7	Inspect metal for corrosion and damage in the coating.	Restore any damaged coating (after removing rust and applying primer).	6
8	Check ropes, cables, chains and nets for wear and damage. Steel cables and nets which are tensioned must be checked for tension.	Replace parts where necessary. Steel cables and nets must be tensioned.	3
9	Inspect equipment for unsafe changes and additions.	Remove unsafe additions and correct unsafe changes.	1
10	Inspect safety surfaces.	Restore and repair where necessary.	1

Remarks

1. If used intensively, all points require extra attention.
2. Extreme weather conditions and locations may require a higher inspection frequency. Discuss this with the supplier.
3. Vandalism-sensitive locations require stricter inspections, possibly daily.
4. Check the terrain regularly for items that do not belong there, are unsafe or may be used wrongly. Examples are poisonous plants, glass shards, etc. Frequency depends on strain.
5. Remember that bad maintenance leads to unsafe conditions and notably faster impoverishment of the playground area.
6. Replacement parts can be ordered at the manufacturer with the part numbers on the module drawing. Drawings can be found in de user guide.
7. The impact area shall be provided with impact attenuating surface according to the specified falling height.
8. This list is conform the CEN-standard "playground equipment and surfacing NEN-EN 1176-7".

Zertifikat

Certificate

Registrier-Nr.

Registered No.

44 320 07 346570-008

Zeichen des Auftraggebers
Customer's reference

Herr J. van Rooij

Auftragsdatum
Date of order

09.03.2007

Aktenzeichen
File reference

2.4-251/90 Ar/Spri

Prüfbericht Nr.
Test report no.

07320346570

**Name und Anschrift
des Auftraggebers**

Boer Speeltoestellen B.V.
Hyacintstraat 2, 4255 HX Nieuwendijk, Niederlande

Name and address of
the customer

ist berechtigt, das unten
genannte Produkt
mit dem abgebildeten Zeichen
zu kennzeichnen



is authorized to
provide the product
mentioned below with
the mark as illustrated

Fertigungsstätte

Boer Speeltoestellen B.V.
Hyacintstraat 2, 4255 HX Nieuwendijk, Niederlande

Manufacturing plant

Geprüft nach

DIN EN 1176-1: 2003-07, DIN EN 1176-2: 2003-07
DIN EN 1176-3: 2003-07, DIN EN 1176-5: 2003-07

Tested in accordance with

Das Produkt entspricht den Anforderungen des Geräte- und Produktsicherheitsgesetzes GPSG § 7(1)
The product is conform with the requirements of the Equipment and Product Safety Act – GPSG § 7(1)

**Beschreibung des
Produktes**
(Details s. Anlage 1)

Spielplatzgeräte Inter Play
Playground equipment Inter Play

Description of product
(Details see Annex 1)

TÜV NORD CERT GmbH
Zertifizierungsstelle für
Produktsicherheit

Gültig bis / Valid until: 19.06.2012



Essen, 19.06.2007

Bitte beachten sie auch die umseitigen Hinweise
Please also pay attention to the information stated overleaf

Anlage 1 zum Zertifikat Nr.: / Annex 1 to Certificate No.: 44 320 07 346570-008

Aktenzeichen: / File reference: 2.4-251/90

Artikel Nr.	Beschreibung
34.3.701.XXXXX	Federwippe Kamel
34.3.702.XXXXX	Federwippe Tukan
34.3.703.XXXXX	Federwippe Eichhörnchen
34.3.704.XXXXX	Federwippe Seehund
34.3.705.XXXXX	Federwippe Entensitz
34.3.706.XXXXX	Federwippe Blauschwanz
34.3.707.XXXXX	Federwippe Hund
34.3.708.XXXXX	Federwippe Pferd
34.3.709.XXXXX	Federwippe Gondel
34.3.710.XXXXX	Federwippe Motorrad
34.3.714.XXXXX	Vierfachfederwippe Margerite
34.3.715.XXXXX	Federwippe Delphin
34.7.716.XXXXX	Federwippe Schmetterling
34.3.717.XXXXX	Federwippe Fisch
34.3.901.XXXXX	Federwippe Vogel
34.3.902.XXXXX	Federwippe Schlange

Artikel Nr.	Beschreibung
34.3.726.XXXXX	Spielhaus
34.3.727.XXXXX	Spielhaus
34.3.728.XXXXX	Picknickhaus
34.3.729.XXXXX	Picknickset

Die oben aufgeführten Produkte dürfen wie folgt gekennzeichnet werden:
The above mentioned products could be provided with the following marking:

TÜV NORD CERT GmbH
Zertifizierungsstelle für
Produktsicherheit



Artikel Nr.	Beschreibung
34.3.731.XXXXX	Rutsche
34.3.730.XXXXX	Spielhaus mit Rutsche

Artikel Nr.	Beschreibung
34.3.741.XXXXX	Federbalkenwippe
34.3.742.XXXXX	Vierfachfederwippe
34.3.743.XXXXX	Balkenfederwippe
34.3.744.XXXXX	Balkenfederwippe

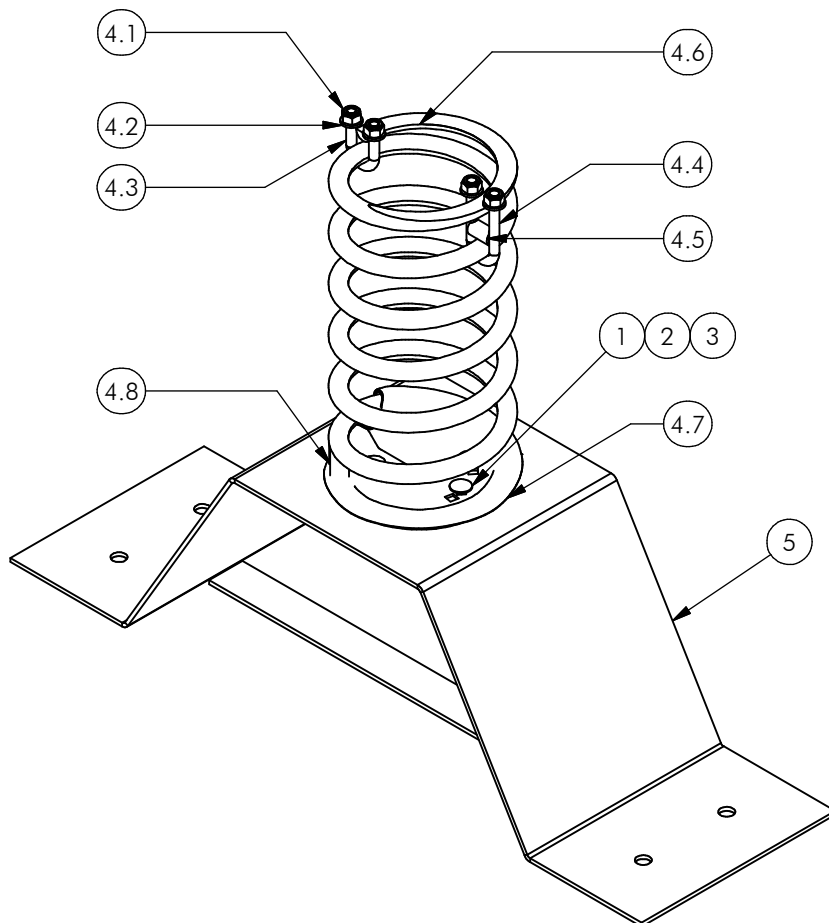
Artikel Nr.	Beschreibung
34.3.771.XXXXX	Spielhaus mit Rutsche
34.3.772.XXXXX	Spielkombination mit 2 Rutschen

Artikel Nr.	Beschreibung
34.3.800.XXXXX	Sandspielkombination
34.3.810.XXXXX	Sandspielkombination mit Rutsche und Kletterbrücke

Die oben aufgeführten Produkte dürfen wie folgt gekennzeichnet werden:
The above mentioned products could be provided with the following marking:

TÜV NORD CERT GmbH
Zertifizierungsstelle für
Produktsicherheit





Nr.	#	Type	Progr.	Volgnr	Bew.	Rev.	Benaming	Opmerking
1	3	BSV	010	010	010		Borgmoer	M10 - VZ 8.8
2	3	BSV	026	010	030		Slotbout	M10 x 30 - VZ 8.8
3	3	BSV	030	010	002		Sluitring	M10 - VZ 8.8
4	1	SMD	VER	200	320		Veer 40 cm, Ø 20 cm	Schotel en U-bouten
4.1	4	BSV	010	012	012		Borgmoer	M12 - VZ 8.8
4.2	4	BSV	030	012	003		Sluitring	M12 - VZ 8.8
4.3	1	BSV	090	012	066		U-Beugel	M12 x 66
4.4	1	BSV	090	012	090		U-Beugel	M12 x 90
4.5	1	BSV	090	018	029		Veerton	18 mm
4.6	1	DRD	VER	200	320		Veer	Hoogte 40 cm, Ø 20 cm
4.7	1	DRD	VER	201	320		Veerschotel	
4.8	1	DRD	VER	202	000		Zwart kunststof blokje	tbv veer
5	1	SME	MNP	016	372		grondanker	veerwip



Benaming
Title: Veerwip

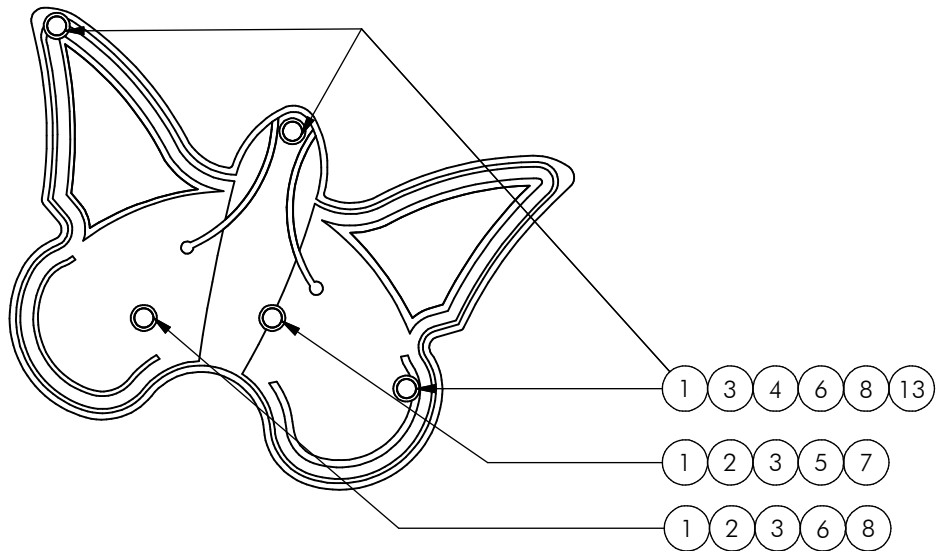
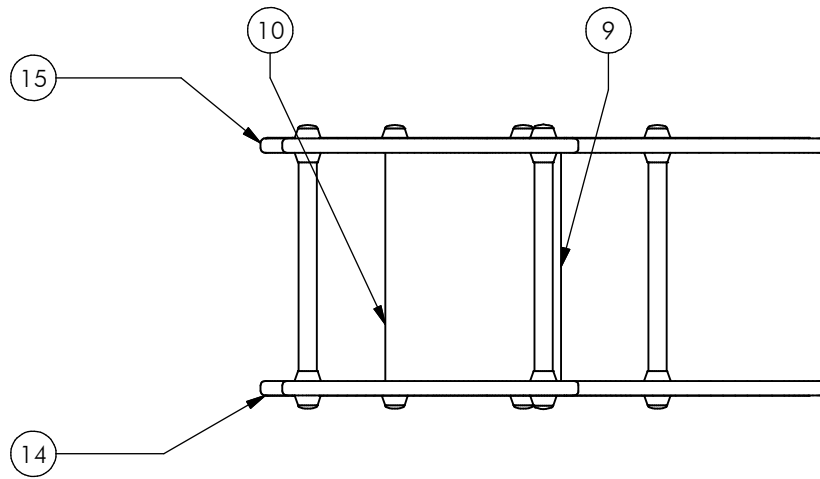
Opmerking
Comment: Onderstel

Datum
Date: 21-5-2015

Tekening
Drawing

MOD MNP 343 008

Samenstelling module Assembly module



Nr	#	Type	Progr.	Volgnr	Bew.	Rev.	Benaming	Opmerking
1	10	BSV	017	010	008		Zeskantmoer	M10 - VZ 8.8
2	4	BSV	026	010	035		SLOTBOUT	M10x35
3	10	BSV	030	010	002		Sluitring	M10 - VZ 8.8
4	3	BSV	060	010	365		Draadeind	M10 x 365 - VZ 8.8
5	2	KST	DON	011	090		interplay donut	zwart
6	14	KST	DON	011	020		interplay donut M10 wit	84395000012
7	2	KST	DOP	011	090		interplay dop	zwart
8	8	KST	DOP	011	050		interplay dop M10 blauw	84395000044
9	1	KST	MNP	214	LPE		Zittende vlinder	Mini Play
10	1	KST	MNP	215	LPE		Rugleuning vlinder	Mini Play
11	4	KST	ZKD	012	025		Afdekdop zeskantbout	M12 wit
12	1	OME	MNP	212	320		Model 13 eendenkuip	Mini Play
13	3	OME	MNP	231	502		Buis staal blauw	Ø24x2 L=295
14	1	OPE	MNP	298	010		lijf rechts vlinder	Mini Play
15	1	OPE	MNP	299	010		lijf links vlinder	Mini Play



Benaming
Title Vlinder

Opmerking
Comment Mini Play

Datum
Date 17-3-2015

Tekening
Drawing

MOD MNP 343 026

Samenstelling module Assembly module