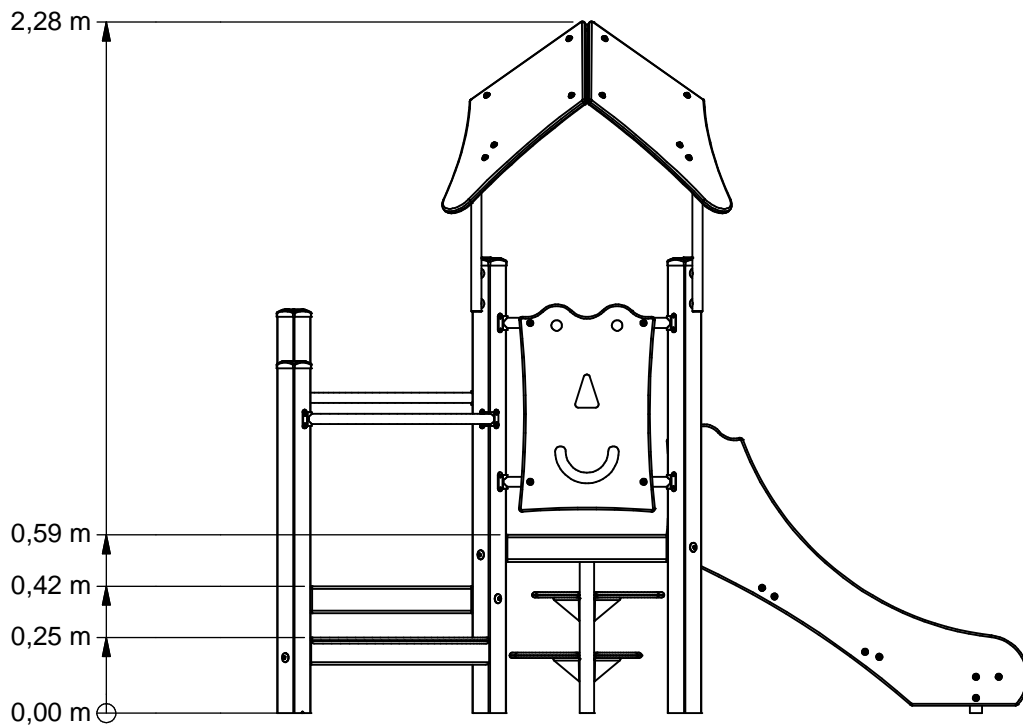
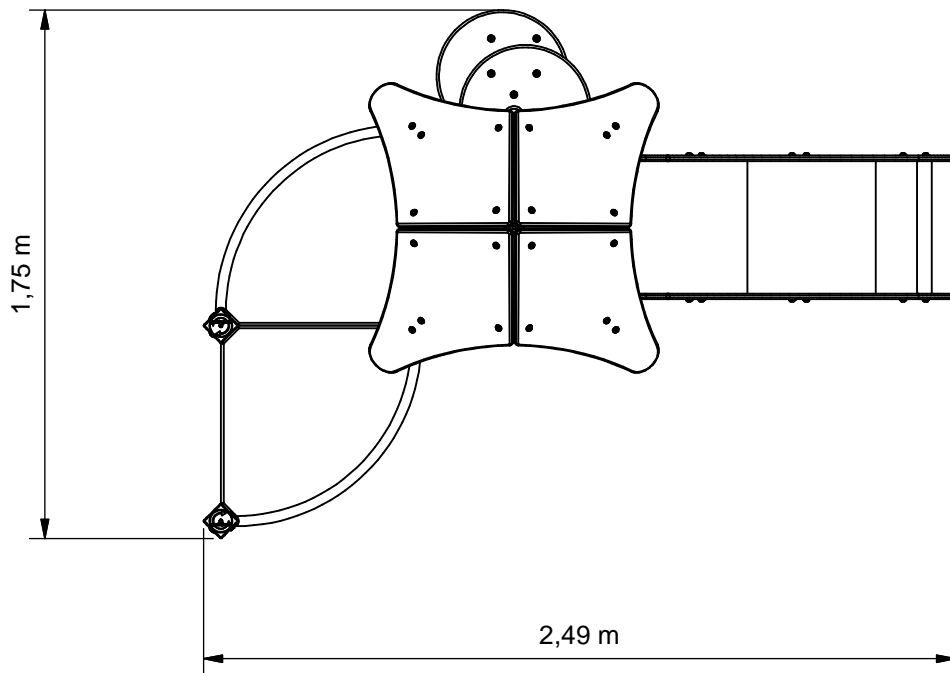




Combination equipment



UKPE033.02H



Benaming
Title Ukkepuk

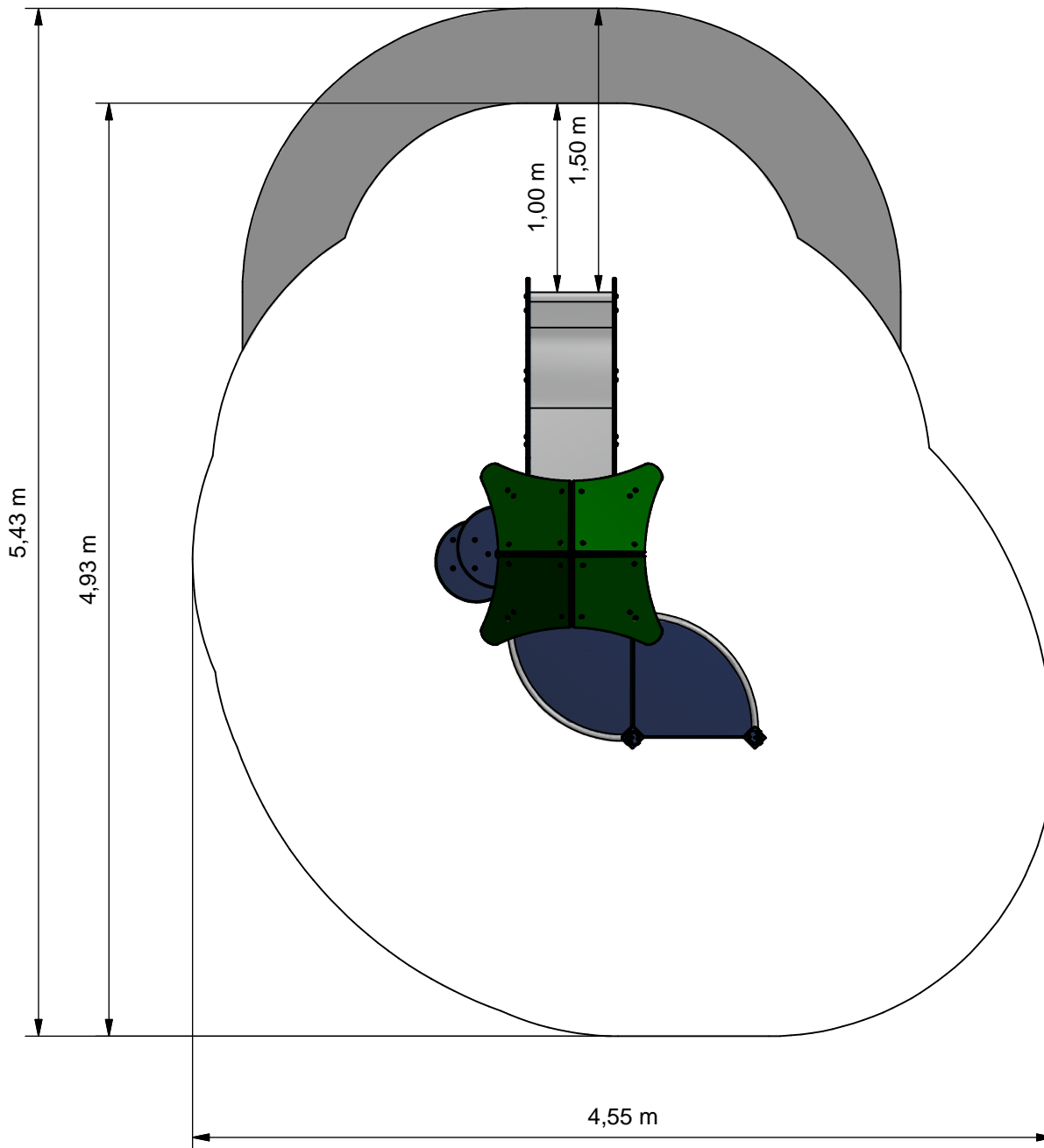
Opmerking
Comment Hardhout

Datum
Date 14-3-2014

Tekening
Drawing

TOE UKP 033 02H A

Afmetingen Dimensions



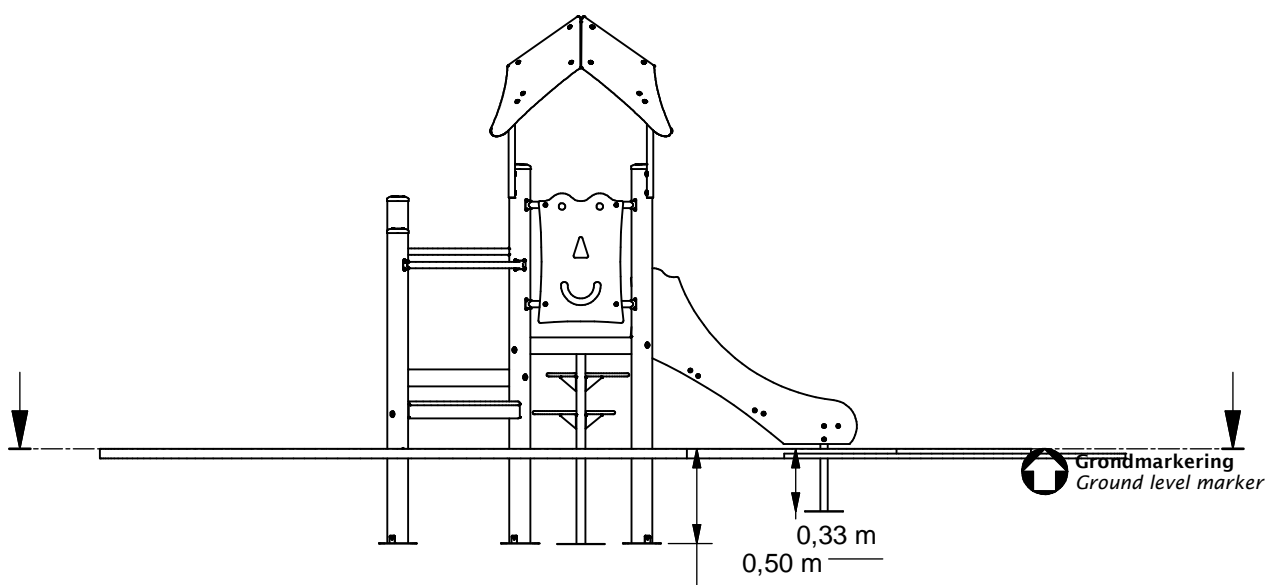
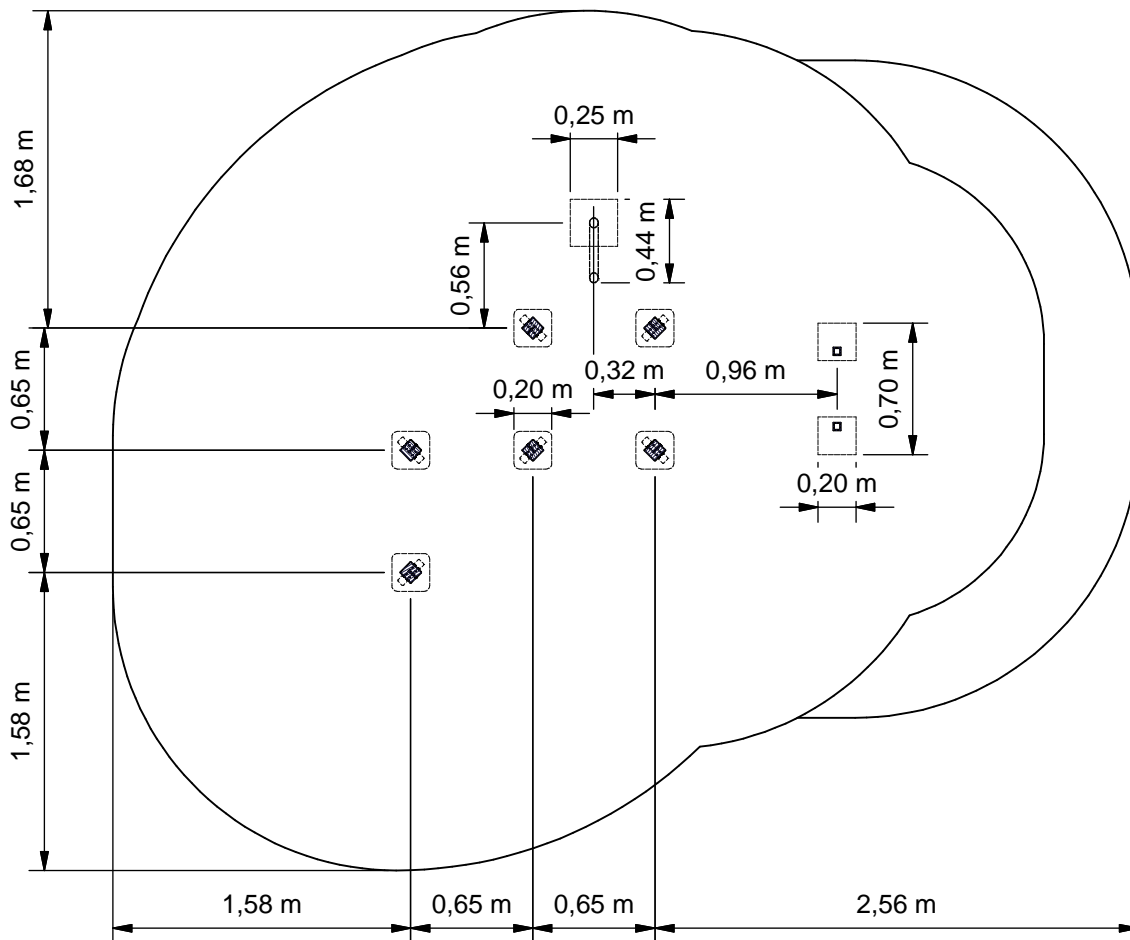
- Opvangzone
Impact area
- Obstakelvrije zone
Obstacle free zone



Benaming / Title: Ukkepuk
 Opmerking / Comment: Hardhout
 Datum / Date: 14-3-2014

Tekening / Drawing

TOE UKP 033 02H A
 Obstakelvrije zone *Obstacle free zone*



Benaming
Title Ukkepek

Opmerking
Comment Hardhout

Datum
Date 14-3-2014

Tekening
Drawing

TOE UKP 033 02H A

Bodemplan Groundplan

Geleverde modules:

Zie tabel

Supplied modules:

See table

Montageinstructie:

- De hoofdmaten geven de maten van de staanders en vloeren aan
- De detailtekeningen geven specifiek de maten van de verbindingen aan
- De modules met buizen zijn op de tekeningen bemaat op bovenkant kopplaat
- Overige modules zijn bemaat op de bovenkant (klimwanden, paalkoppen, etc.)

Assembly instruction:

- The main dimensions indicate the dimensions of the posts and floors
- The detailed dimensions show the specific dimensions of the connections
- The modules which contain tubes are dimensioned at the top of the flanges
- Other modules are dimensioned at the top (climbing walls, caps for the posts, etc.)

Montagevolgorde:

- 1 - Graaf de gaten volgens het bodemplan
- 2 - Assembleer 5
- 3 - Plaats 5
- 4 - Plaats 3,6 en verbind deze aan 5
- 5 - Plaats 1,2,7 en verbind deze aan 2
- 6 - Plaats 4 en verbind deze aan 2
- 7 - Plaats 8 en verbind deze aan 2
- 8 - Controleer of het toestel voldoet aan de afmetingen zoals op blad 'afmetingen'
- 9 - Dicht de gaten en verdicht het zand

Assembly sequence:

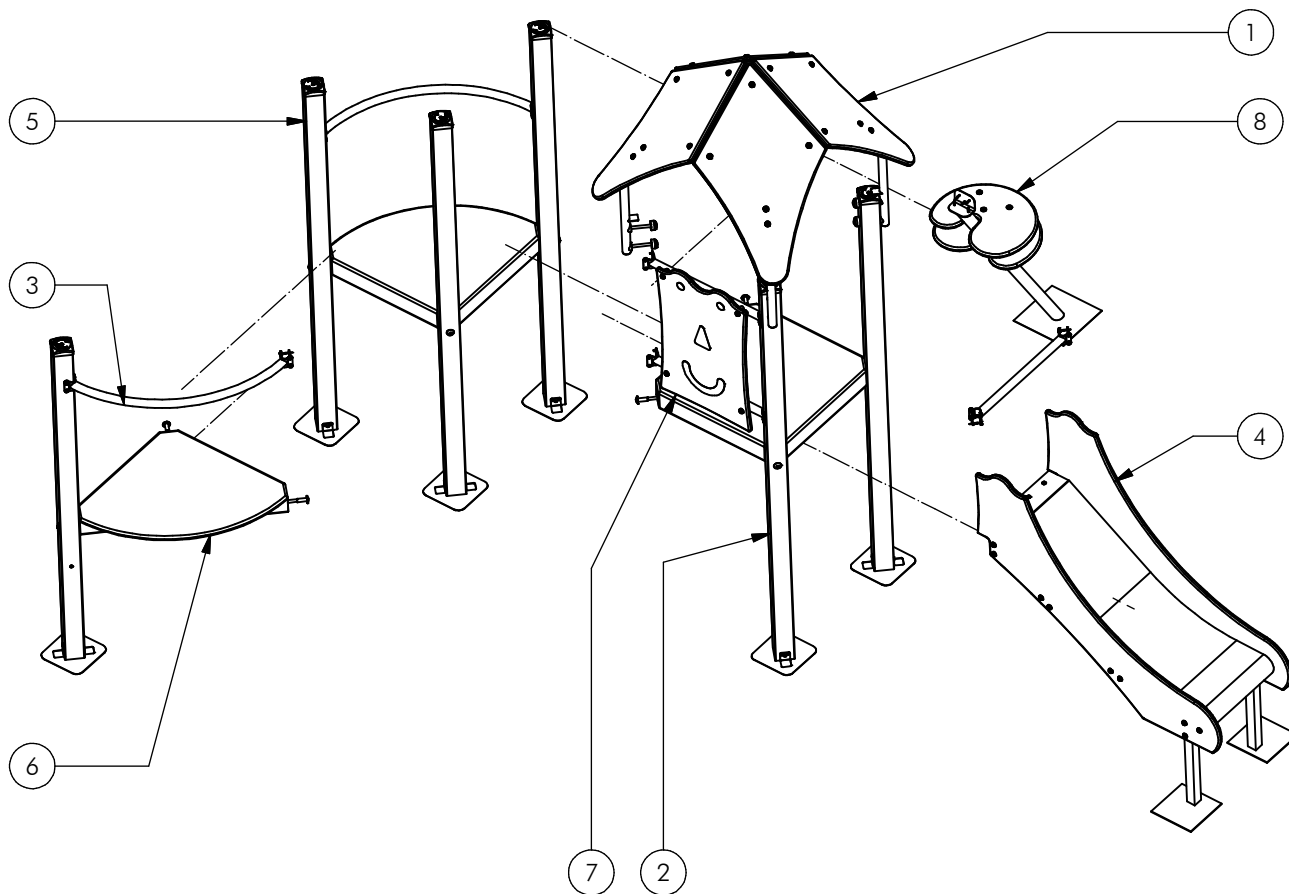
- 1 - Dig the holes according to the ground plan
- 2 - Assemble 5
- 3 - Place 5
- 4 - Place 3,6 and attach it to 5
- 5 - Place 1,2,7 and attach it to 5
- 6 - Place 4 and attach it to 2
- 7 - Place 8 and attach it to 2
- 8 - Check that the equipment conforms to the dimensions shown on sheet 'dimensions'
- 9 - Close the holes and compact the sand

Controles:

- 1 - Correcte opbouw en alle bevestigingsmiddelen
- 2 - Controleer de afmetingen van de valbodem t.o.v. het toestel

Checks:

- 1 - Correct assembly and all the fasteners
- 2 - Check the dimensions of the safety area with regard to the play equipment



| Nr | # | Type | Progr. | Volgnr | Bew. | Rev. | Benaming | Opmerking |
|----|---|------|--------|--------|------|------|------------------------|----------------|
| 1 | 1 | MOD | UKP | HHT | 103 | A | DAK | UKKEPUK |
| 2 | 1 | MOD | UKP | HHT | 107 | | HALF TOREN LAAG | UKKEPUK |
| 3 | 1 | MOD | UKP | HHT | 136 | | SYSTEEMBUIS KWARTTROND | UKKEPUK |
| 4 | 1 | MOD | UKP | HHT | 152 | A | GLIJBaan | UKKEPUK |
| 5 | 1 | MOD | UKP | HHT | 160 | | OPSTAP KWARTTROND | UKKEPUK |
| 6 | 1 | MOD | UKP | HHT | 161 | | Opstap kwartrond | 250mm, Ukkepek |
| 7 | 1 | MOD | UKP | RVS | 111 | A | WANDJE LACH | UKKEPUK |
| 8 | 1 | MOD | UKP | RVS | 168 | | Boomtrap | Ukkepek |



Benaming
Title Ukkepek

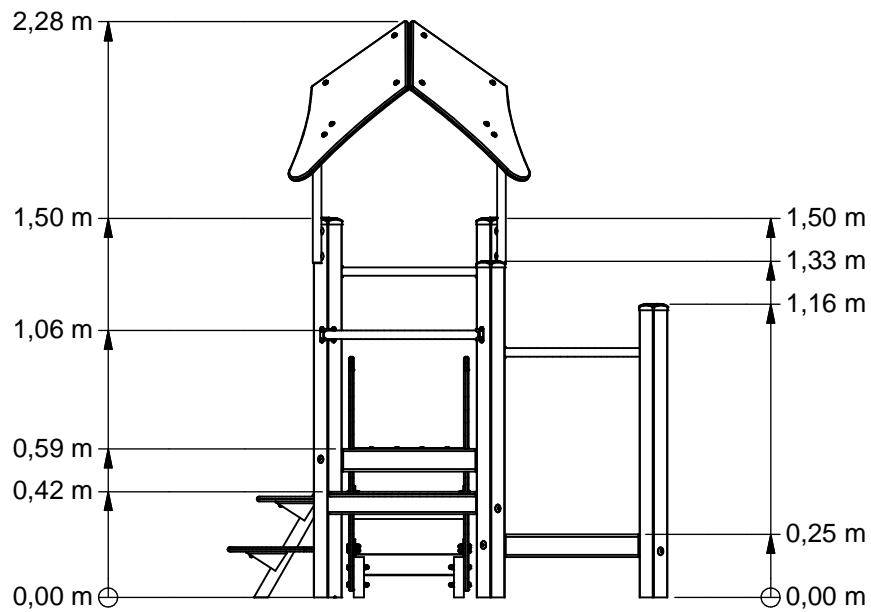
Opmerking
Comment Hardhout

Datum
Date 14-3-2014

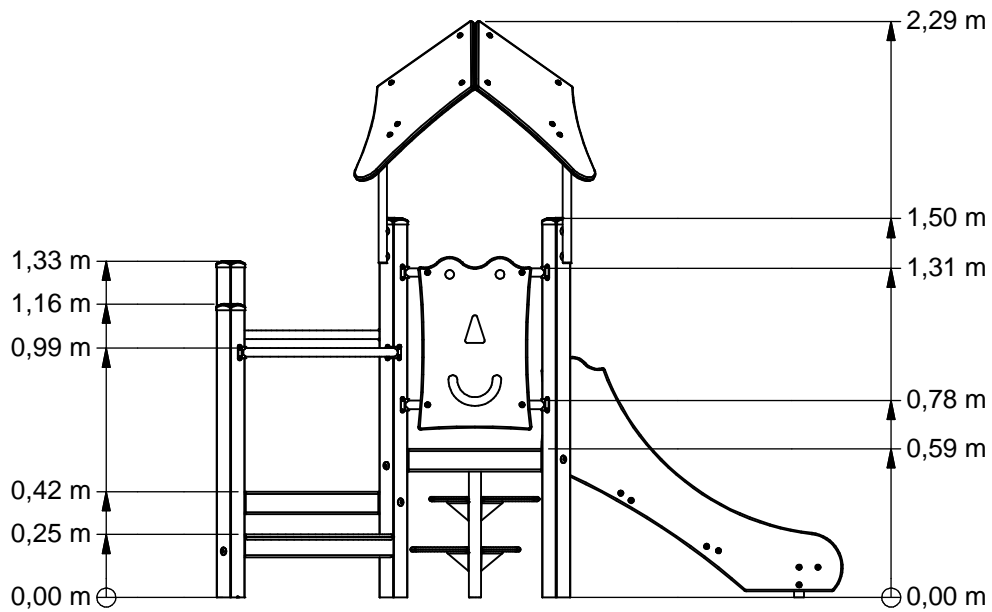
Tekening
Drawing

TOE UKP 033 02H A

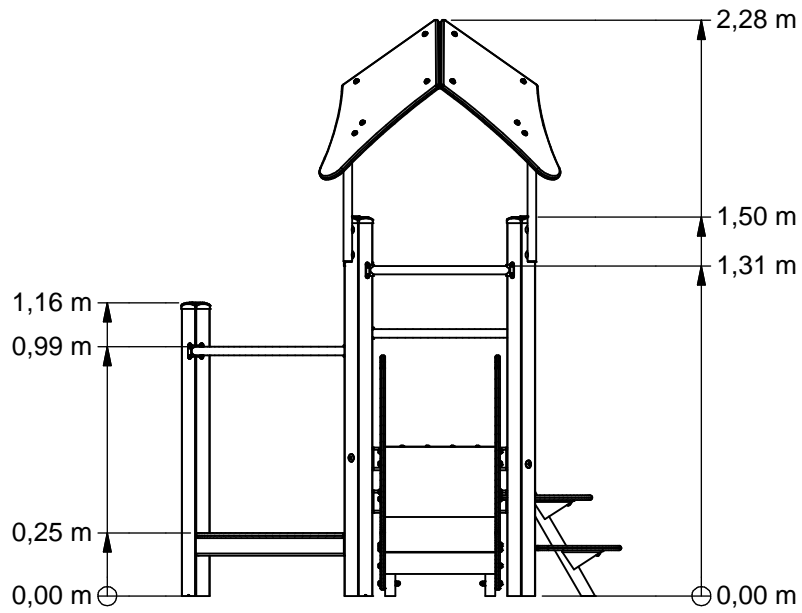
Modules Modules



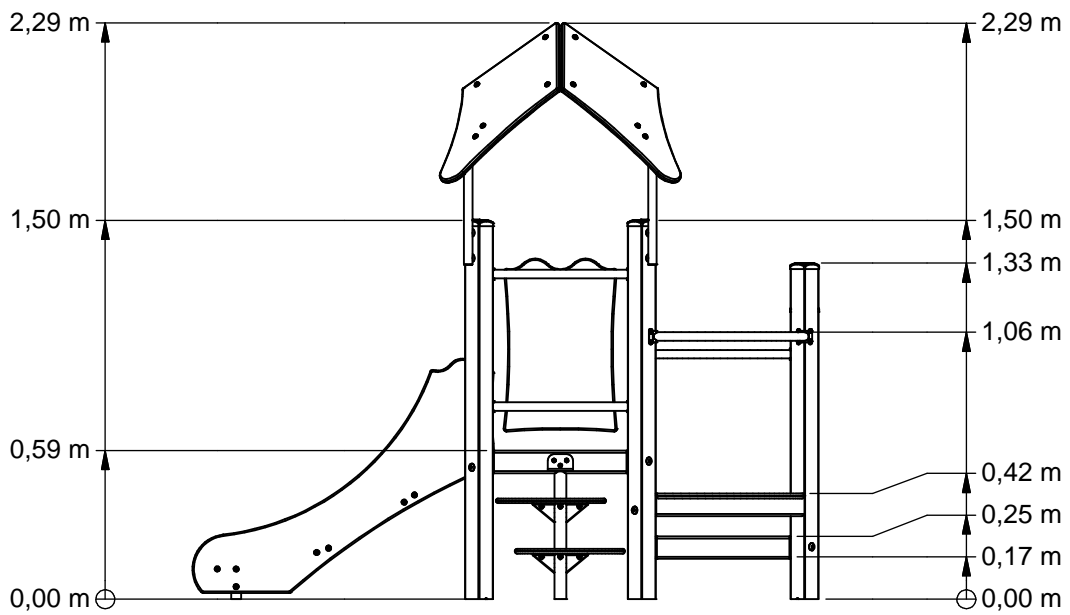
Voor (Front)



Rechts (Right)



Achter (Back)



Links (Left)



Benaming
Title Ukkepek

Opmerking
Comment Hardhout

Datum
Date 14-3-2014

Tekening
Drawing

TOE UKP 033 02H A

Afmetingen Dimensions

UKPE033.02H

Combination equipment

LOGBOOK

(Onderstaand logboek kan gebruikt worden om te voldoen aan de eisen, gesteld in artikel 14 van het Warenwetbesluit Attractie- en Speeltoestellen)

| | |
|--|---|
| Type indication | Toddler Play |
| Product code | UKPE033.02H |
| Name of equipment | Ukkepuk Klimklautertoestel |
| Maximum height of fall | 0,6 m |
| Year of construction | 2017 |
| Certificate | 09200116218 |
| inspection authority | Liftinstituut B.V. Buikslotermeerplein 381, A'dam - 1025 XE Amsterdam |
| Name manufacturer | BOERplay Hyacintstraat 2 - 4255 HX Nieuwendijk Phone: +31 (0)183 40 23 66 Fax: +31 (0)183 40 35 64 |
| name installer | _____ _____ |
| Description of equipment | Combination equipment |
| Location of equipment | _____ |
| Data about the owner of the play equipment | |
| Name: | _____ |
| Address: | _____ |
| Postcode and town: | _____ |
| Contact person: | _____ |
| Telephone number: | _____ |
| Data about the administrator of the play equipment | |
| Name: | _____ |
| Address: | _____ |
| Postcode and town: | _____ |
| Contact person: | _____ |
| Telephone number: | _____ |

LOGBOOK

Inspection and maintenance intervals



| Nr. | Inspection | Maintenance | months between inspections |
|-----|--|--|----------------------------|
| 1 | Verify equipment's stability, junctions and missing parts. Inspect bolts, screws and nuts for absence, jams, corrosion and wear. | Add missing parts, secure joints, apply missing fixing agent and replace corroded parts. | 1 |
| 2 | Check suspension for wear. | Replace worn parts and/or remove non-functioning parts. | 1 |
| 3 | Inspect rotating parts such as hinges, rolling-element bearings, etc. for wear and acceptability. | Replace worn parts and/or remove non-functioning parts. | 1 |
| 4 | Check wood for splinters, unacceptable damage and signs of rot. Especially at ground level. | Repair damage. Replace affected wood. Smoothen splintered wood and sharp edges. | 1 |
| 5 | Inspect foundation for stability, tearing and coverage. | Restore foundation and covering material. | 3 |
| 6 | Examine rubber and synthetic parts for wear, damage and break. | Replace original parts. | 3 |
| 7 | Inspect metal for corrosion and damage in the coating. | Restore any damaged coating (after removing rust and applying primer). | 6 |
| 8 | Check ropes, cables, chains and nets for wear and damage. Steel cables and nets which are tensioned must be checked for tension. | Replace parts where necessary. Steel cables and nets must be tensioned. | 3 |
| 9 | Inspect equipment for unsafe changes and additions. | Remove unsafe additions and correct unsafe changes. | 1 |
| 10 | Inspect safety surfaces. | Restore and repair where necessary. | 1 |

Remarks

1. If used intensively, all points require extra attention.
2. Extreme weather conditions and locations may require a higher inspection frequency. Discuss this with the supplier.
3. Vandalism-sensitive locations require stricter inspections, possibly daily.
4. Check the terrain regularly for items that do not belong there, are unsafe or may be used wrongly. Examples are poisonous plants, glass shards, etc. Frequency depends on strain.
5. Remember that bad maintenance leads to unsafe conditions and notably faster impoverishment of the playground area.
6. Replacement parts can be ordered at the manufacturer with the part numbers on the module drawing. Drawings can be found in de user guide.
7. The impact area shall be provided with impact attenuating surface according to the specified falling height.
8. This list is conform the CEN-standard "playground equipment and surfacing NEN-EN 1176-7".

TYPE-EXAMINATION CERTIFICATE

Acting under the " Warenwetbesluit Attractie- en Speeltoestellen" issued by Liftinstituut B.V.
commissioned by departmental order, no. VGP/PSL 2857566 from 27 Juni 2008.

Certificate nr. : NL 09-2001-162-18 Revision nr.: 200116218

Description of the product : Playground equipment, Ukkepek

Trademark, type : Speelwijzer, UKP.....

Name and address of the manufacturer : Speelwijzer
Nijverheidsstraat 8
5317 NL Nederhemert Noord

Name and address of the certificate holder : Speelwijzer
Nijverheidsstraat 8
5317 NL Nederhemert Noord

Certificate issued on the basis of the following requirements : Warenwetbesluit Attractie- en Speeltoestellen

Test laboratory : None

Date and number of the laboratory report : None

Date of type-examination : 01-09-2001 t/m 03-09-2001, 21-02-2009

Annexes with this certificate : Report belonging to the type-examination certificate nr.: NL 09-2001-162-18

Additional remarks : This certificate supersedes type certificate dated April 27th 2005, with certificate number NL 09-2001-162-18

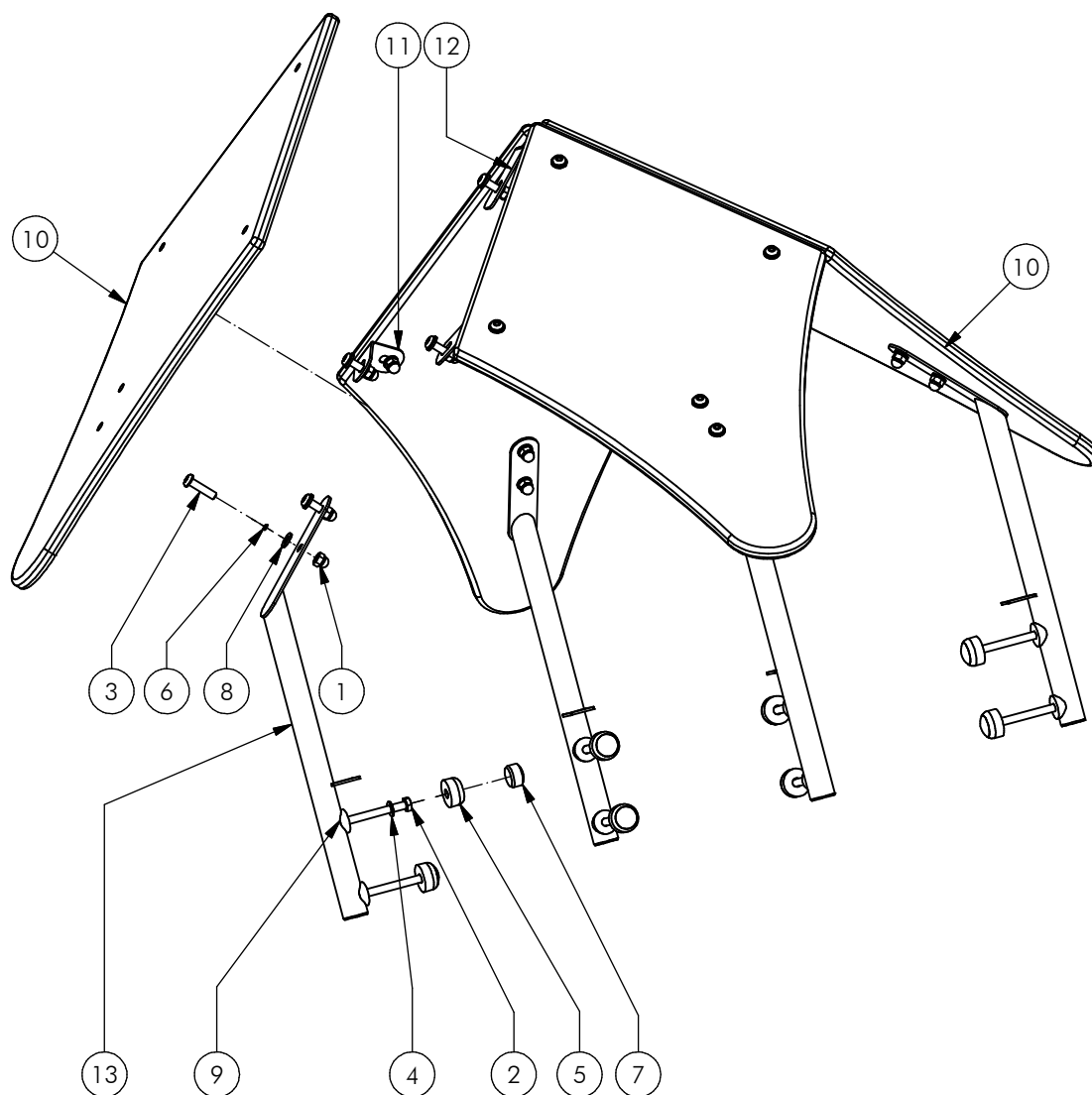
Conclusion : The playground equipment meets the requirements of the above specified European standard(s) and "Warenwetbesluit Attractie- en Speeltoestellen" taking into account any additional remarks mentioned above.

Issued in Amsterdam

Date of issue : April 7th, 2009



Ir. V.M.A. Barendregt
Senior Officer Certification &
Technology
Liftinstituut B.V.



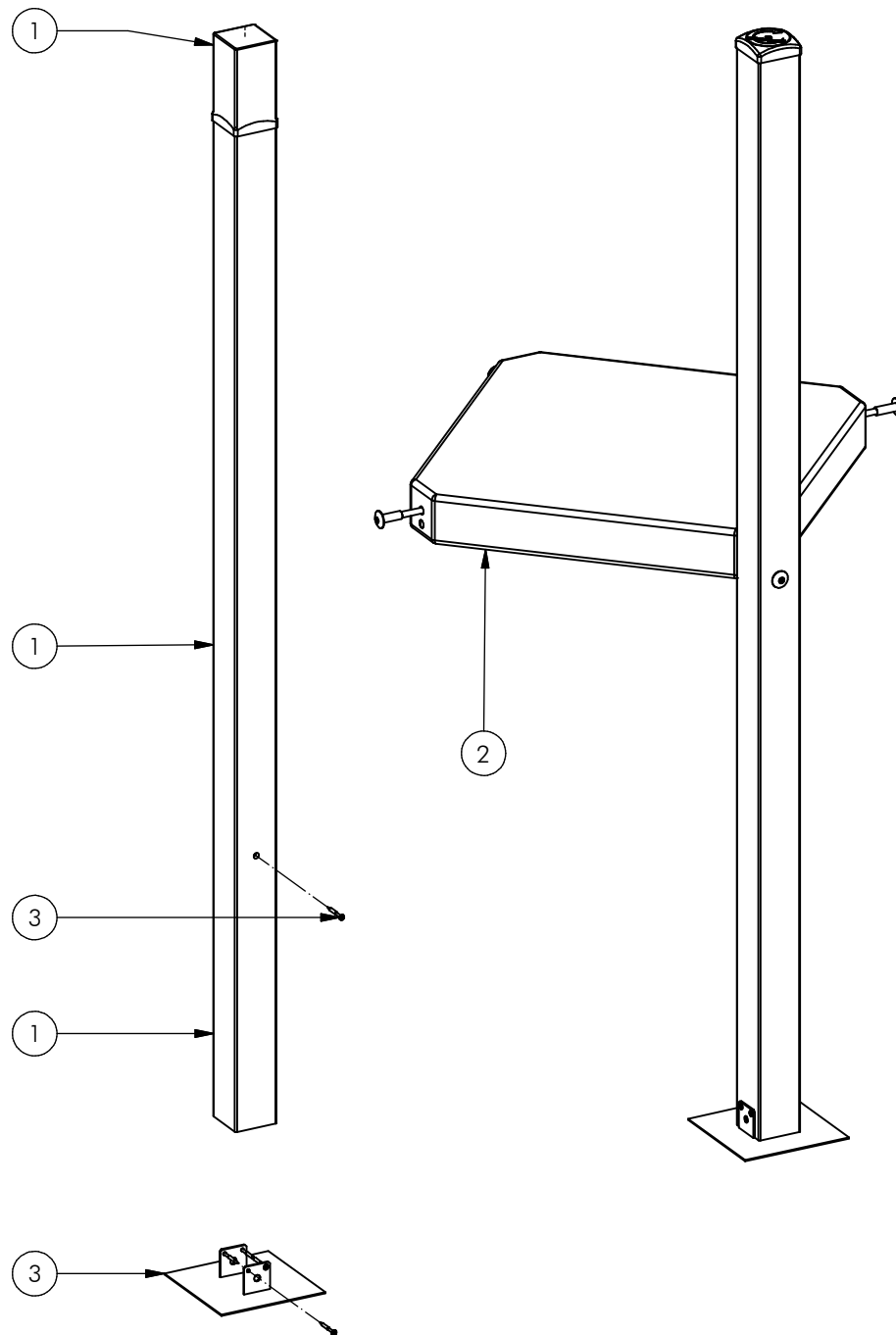
| | | | | | | | | |
|-----|----|------|-------|-----|------|---|---------------------|-----------------------|
| 13 | 4 | SME | UKP | 546 | 320 | | Daksteun | Ukkepek |
| 12 | 1 | OME | DRM | 096 | 304 | | NOKBEUGEL | 90 GRADEN |
| 11 | 4 | OME | DRM | 054 | 304 | A | Plaatbeugel | 120 Graden |
| 10 | 4 | OPE | UKP | 001 | 060 | B | Dakplaat | Ukkepek |
| 9 | 8 | KST | T33 | 010 | 000 | | ZADELRING | BUIS 33.7 |
| 8 | 20 | KST | ROR | 010 | 000 | | RING NYLON | M10 x 2.5 MM |
| 7 | 8 | KST | DOP | 010 | 030 | | Beschermdop M10-M12 | Dop rood |
| 6 | 20 | KST | DOP | 006 | 030 | | OPVULDOPJE | 6 MM ROOD |
| 5 | 8 | KST | DON | 010 | 030 | | Beschermdop M10-M12 | Donut Rood |
| 4 | 28 | BSR | 030 | 010 | 002 | | SLUITRING | M10 |
| 3 | 20 | BSR | 023 | 010 | 040 | | Bolkopbout ISO 7380 | M10 x 40 - RVS A2-70 |
| 2 | 8 | BSR | 021 | 010 | 100 | | Zeskantbout | M10 x 100 - RVS A2-70 |
| 1 | 20 | BSR | 011 | 010 | 020 | | DOPMOER | BORG RVS M10 |
| POS | N | TYPE | PROJ. | NR. | BEH. | R | BENAMING | OPMERKING |



Benaming Title: DAK
 Opmerking Comment: UKKEPEK
 Datum Date: 21-11-2014

Tekening Drawing

MOD UKP HHT 103 A
 Samenstelling module Assembly module



| | | | | | | | |
|-----|---|------|-------|-----|------|----------------|--------------------|
| 4 | 2 | SMD | UKP | HHT | 104 | PAALKAP | UKKEPUK |
| 3 | 2 | SMD | UKP | HHT | 103 | ANKER PLAAT | UKKEPUK |
| 2 | 1 | SMD | UKP | HHT | 100 | VLOER VIERKANT | UKKEPUK |
| 1 | 2 | OHO | 080 | 012 | HHT | Staander HHT | 80x80, lengte=1990 |
| POS | N | TYPE | PROJ. | NR. | BEH. | R | BENAMING |
| | | | | | | | OPMERKING |



Benaming
Title HALF TOREN LAAG

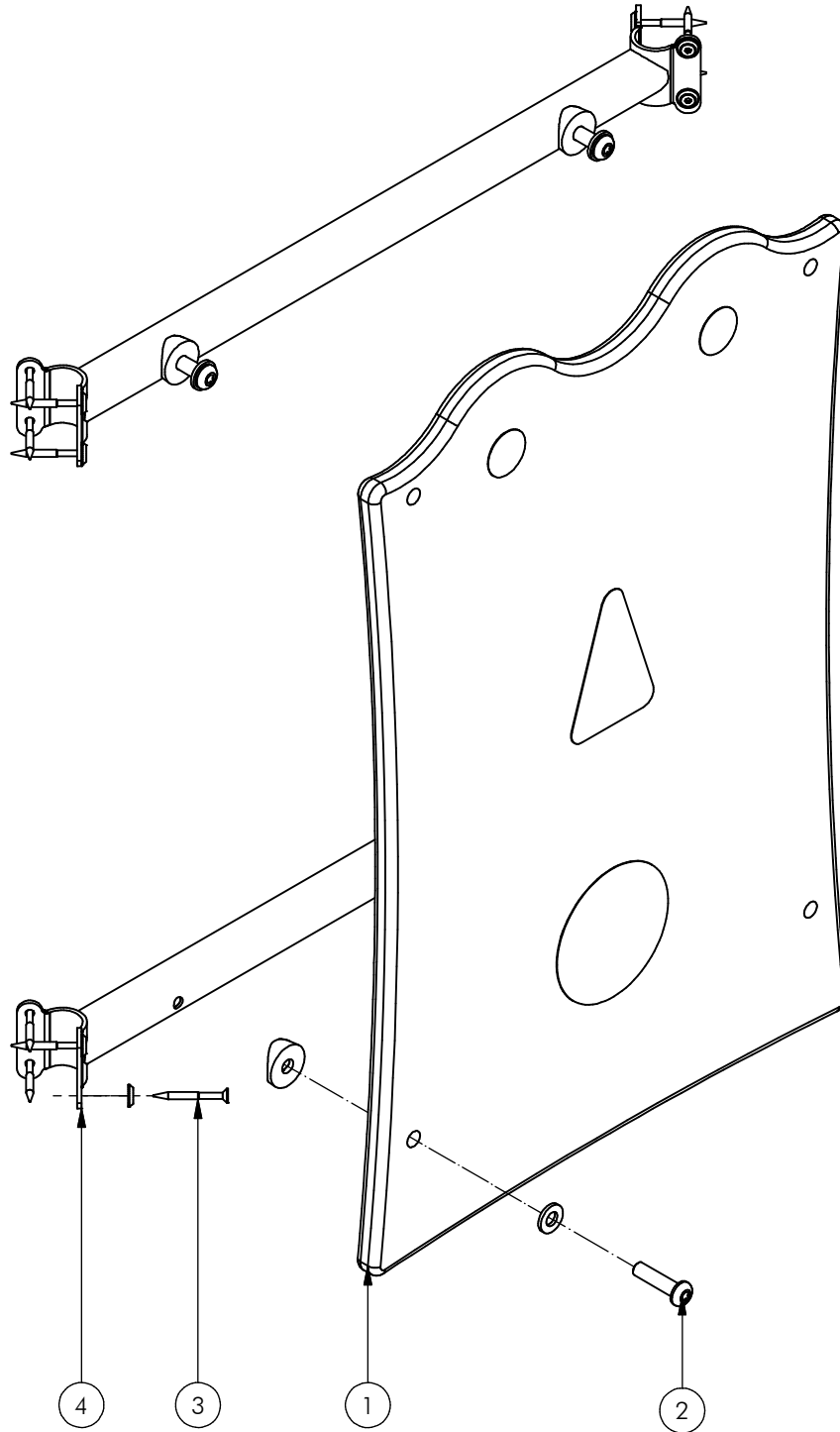
Opmerking
Comment UKKEPUK

Datum
Date 16-1-2007

Tekening
Drawing

MOD UKP HHT 107

Samenstelling module Assembly module



| | | | | | | | | |
|-----|---|------|-------|-----|------|---|---------------------|-------------|
| 4 | 2 | SME | UKP | 501 | 320 | A | SYSTEEMBUIS | UKKEPUK |
| 3 | 4 | SMD | UKP | HHT | 105 | | BEVESTIGING VLINDER | UKKEPUK HHT |
| 2 | 4 | SMD | UKP | ALG | 106 | | WAND BEVESTIGING | UKKEPUK |
| 1 | 1 | OPE | UKP | 002 | 030 | D | WAND OH | UKKEPUK |
| POS | N | TYPE | PROJ. | NR. | BEH. | R | BENAMING | OPMERKING |



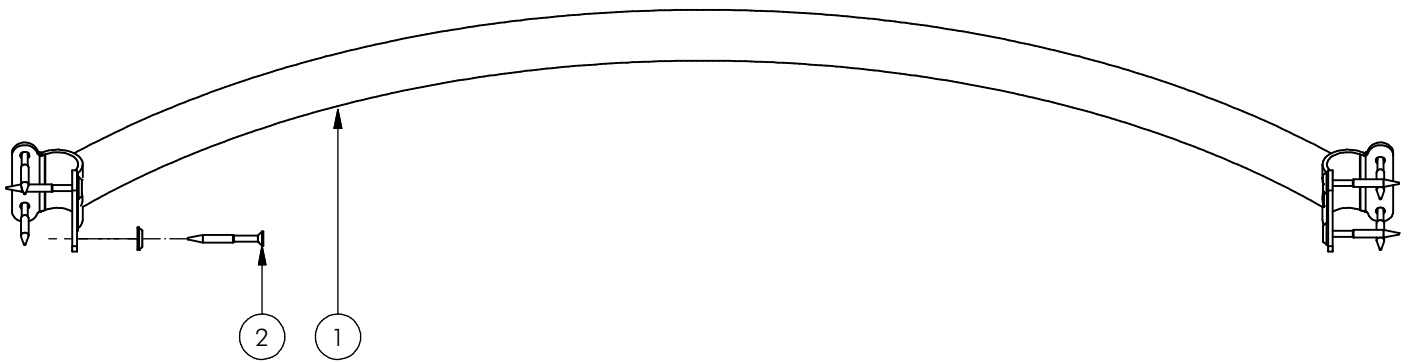
Benaming
Title WANDJE OH

Opmerking
Comment UKKEPUK

Datum
Date 9-12-2013

Tekening
Drawing

MOD UKP HHT 110 A
 Samenstelling module *Assembly module*



| | | | | | | | | |
|-----|---|------|-------|-----|------|---|---------------------|-------------|
| 2 | 2 | SMD | UKP | HHT | 105 | | BEVESTIGING VLINDER | UKKEPUK HHT |
| 1 | 1 | SME | UKP | 538 | 320 | | BUIS KWARTROND | UKKEPUK |
| POS | N | TYPE | PROJ. | NR. | BEH. | R | BENAMING | OPMERKING |



Benaming
Title: SYSTEEMBUIS KWARTROND

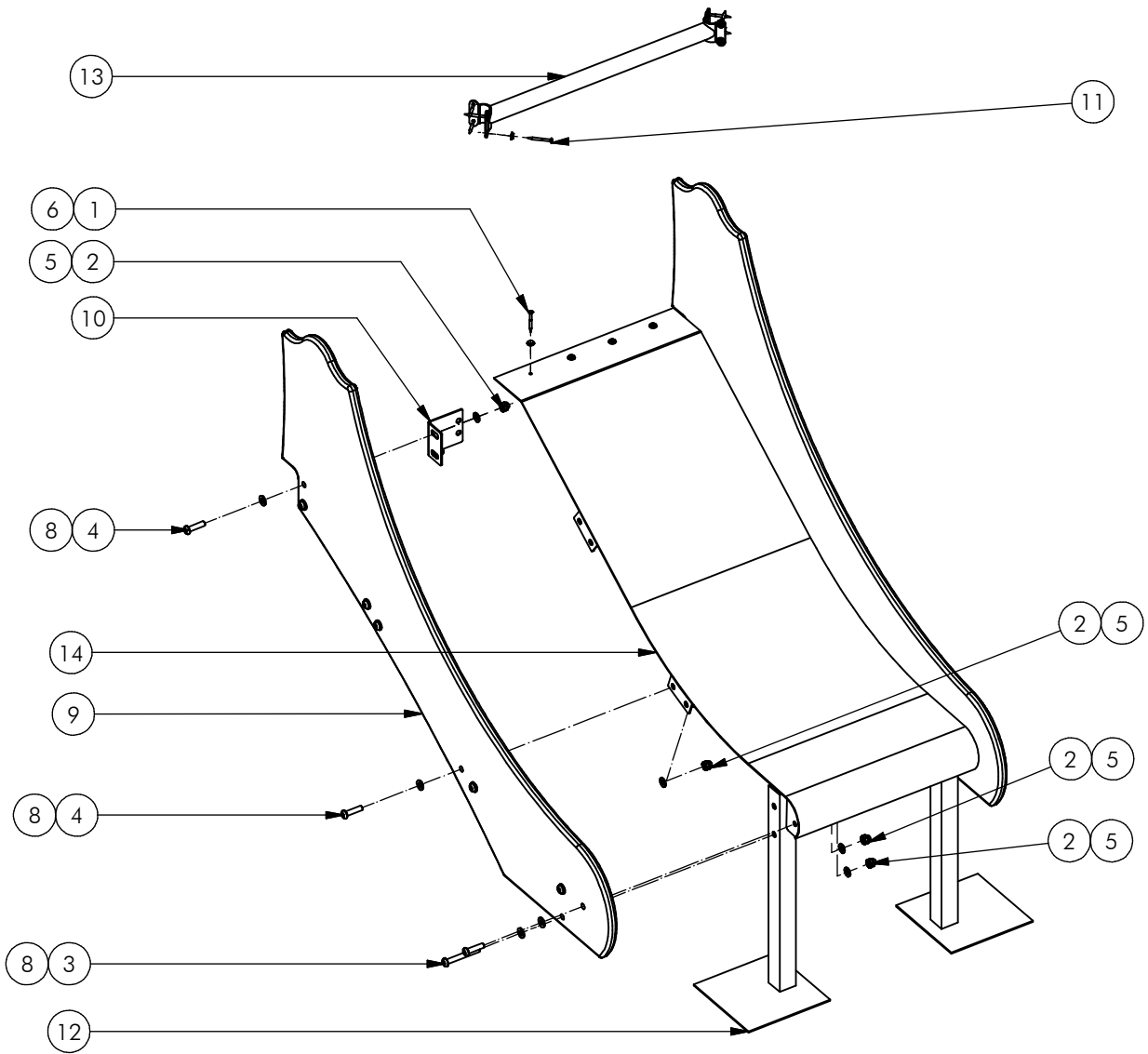
Opmerking
Comment: UKKEPUK

Datum
Date: 19-1-2007

Tekening
Drawing

MOD UKP HHT 136

Samenstelling module *Assembly module*



| | | | | | | | | |
|-----|----|------|-------|-----|------|---|---------------------|----------------------|
| 14 | 1 | SME | UKP | 550 | 320 | B | Glijbaan | Ukkepuk |
| 13 | 1 | SME | UKP | 500 | 320 | A | SYSTEEMBUIS | UKKEPUK |
| 12 | 2 | SME | UKP | 024 | 372 | A | Steunpoot Glijbaan | Ukkepuk |
| 11 | 2 | SMD | UKP | HHT | 105 | | BEVESTIGING VLINDER | UKKEPUK HHT |
| 10 | 2 | OME | UKP | 577 | 304 | | Bevestigingshoek | Glijbaan Ukkepuk |
| 9 | 2 | OPE | UKP | 030 | 050 | B | Zijkant Glijbaan | Ukkepuk |
| 8 | 18 | KST | ROR | 010 | 000 | | RING NYLON | M10 x 2.5 MM |
| 7 | 18 | KST | DOP | 006 | 030 | | OPVULDOPJE | 6 MM ROOD |
| 6 | 4 | BSR | 036 | 005 | 015 | | Facet ring | M5 - RVS A2-70 |
| 5 | 18 | BSR | 030 | 010 | 002 | | SLUITRING | M10 |
| 4 | 14 | BSR | 023 | 010 | 040 | | Bolkopbout ISO 7380 | M10 x 40 - RVS A2-70 |
| 3 | 4 | BSR | 023 | 010 | 080 | | Bolkopbout ISO 7380 | M10 x 80 - RVS A2-70 |
| 2 | 18 | BSR | 011 | 010 | 020 | | DOPMOER | BORG RVS M10 |
| 1 | 4 | BSR | 002 | 005 | 050 | | SCHROEF | 5 x 50 |
| POS | N | TYPE | PROJ. | NR. | BEH. | R | BENAMING | OPMERKING |



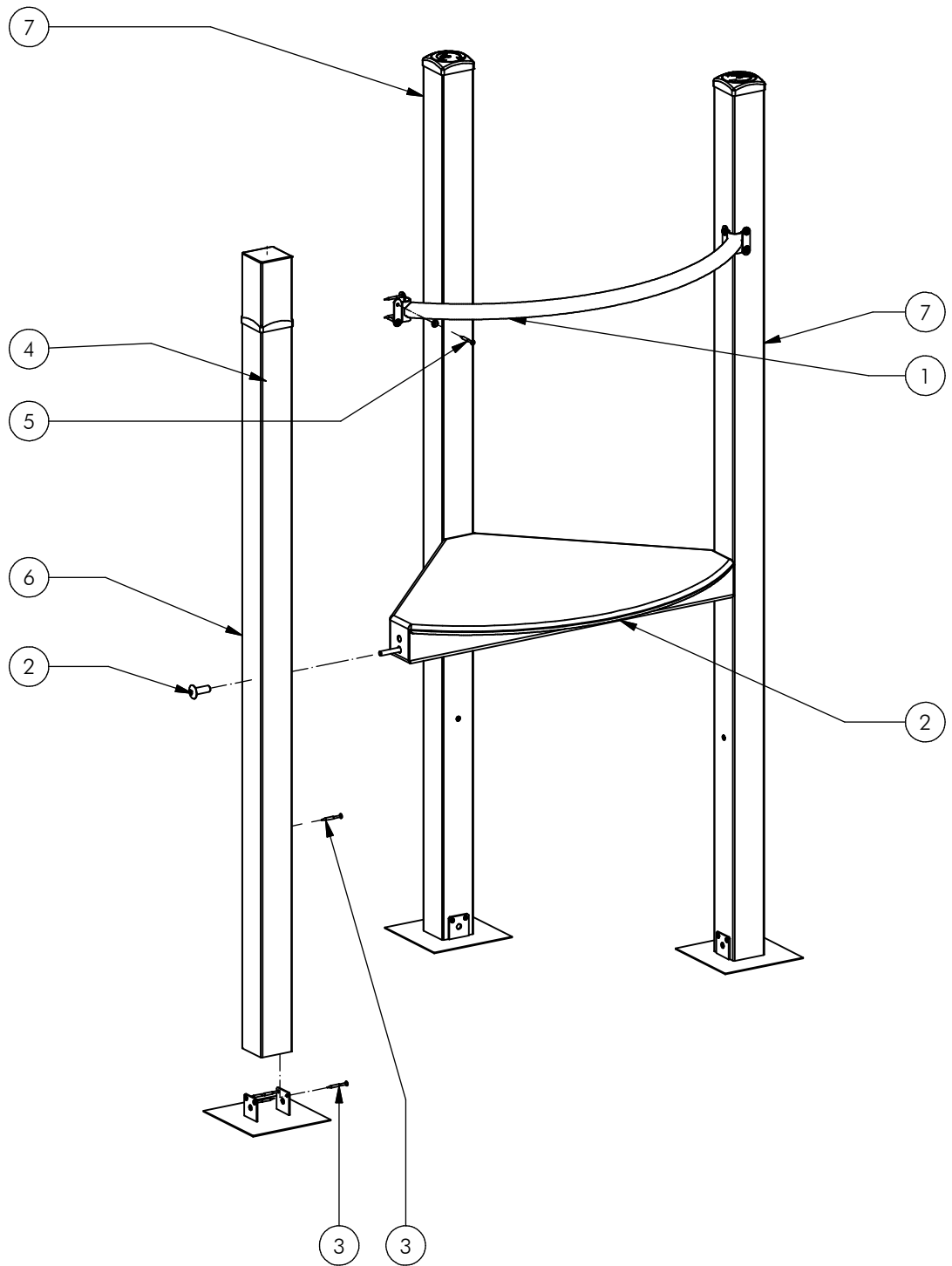
Benaming
Title GLIJBAAAN

Opmerking
Comment UKKEPUK

Datum
Date 6-12-2013

Tekening
Drawing

MOD UKP HHT 152 A
 Samenstelling module *Assembly module*



| | | | | | | | | |
|-----|---|------|-------|-----|------|---------------------|--------------------|-----------|
| 7 | 2 | OHO | 080 | 012 | HHT | Staander HHT | 80x80, lengte=1990 | |
| 6 | 1 | OHO | 080 | 011 | HHT | Staander HHT | 80x80, lengte=1820 | |
| 5 | 2 | SMD | UKP | HHT | 105 | BEVESTIGING VLINDER | UKKEPUK HHT | |
| 4 | 3 | SMD | UKP | HHT | 104 | PAALKAP | UKKEPUK | |
| 3 | 3 | SMD | UKP | HHT | 103 | ANKER PLAAT | UKKEPUK | |
| 2 | 1 | SMD | UKP | HHT | 102 | VLOER KWARTTROND | UKKEPUK | |
| 1 | 1 | SME | UKP | 538 | 320 | BUIS KWARTTROND | UKKEPUK | |
| POS | N | TYPE | PROJ. | NR. | BEH. | R | BENAMING | OPMERKING |



Benaming
Title

OPSTAP KWARTTROND

Opmerking
Comment

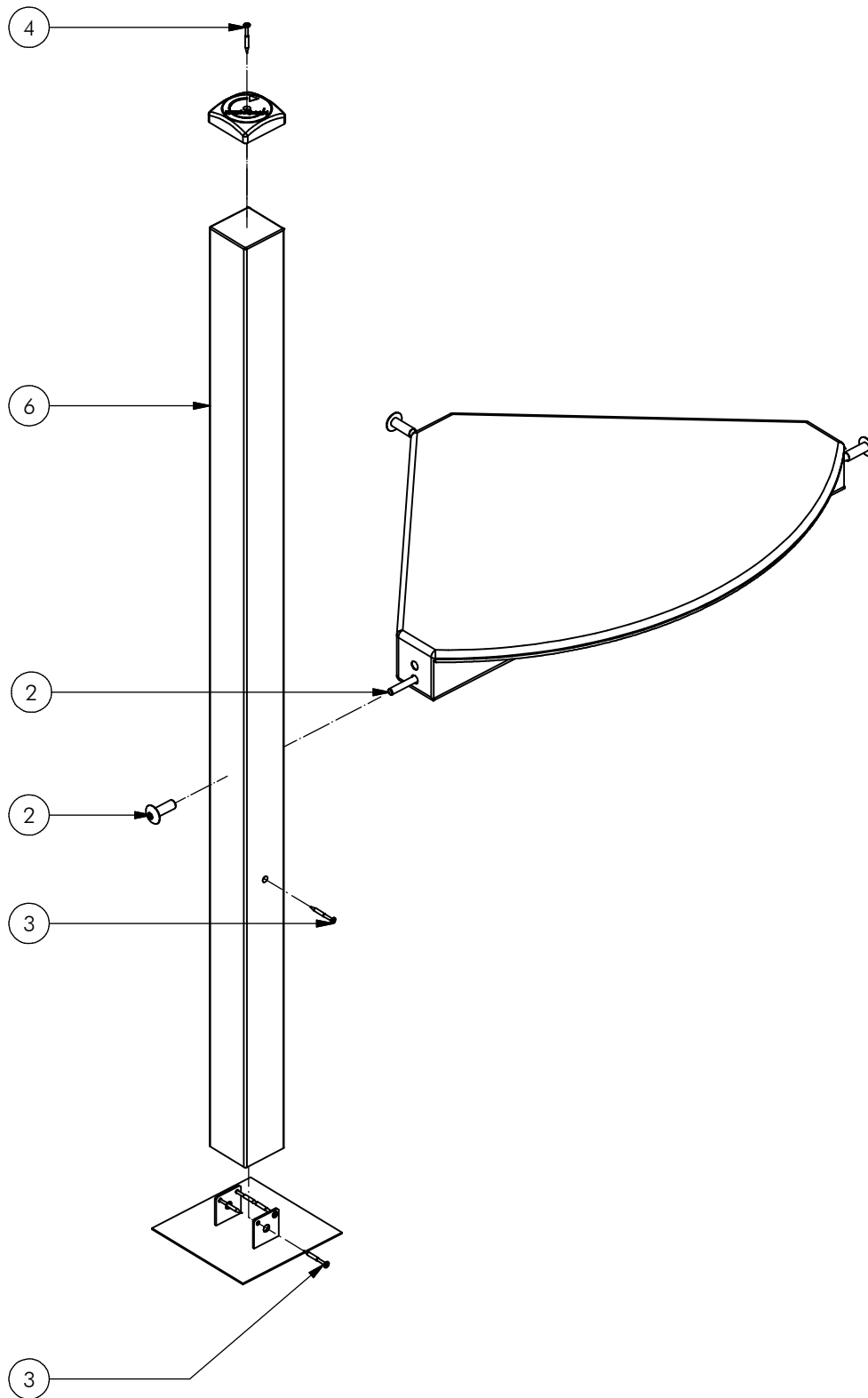
UKKEPUK

Datum
Date

Tekening
Drawing

MOD UKP HHT 160

Samenstelling module Assembly module



| | | | | | | | | |
|-----|---|------|-------|-----|------|---|-------------------|--------------------|
| 6 | 1 | OHO | 080 | 010 | HHT | | Staander hardhout | 80x80, lengte=1650 |
| 4 | 1 | SMD | UKP | HHT | 104 | | PAALKAP | UKKEPUK |
| 3 | 1 | SMD | UKP | HHT | 103 | | ANKER PLAAT | UKKEPUK |
| 2 | 1 | SMD | UKP | HHT | 102 | | VLOER KWARTTROND | UKKEPUK |
| POS | N | TYPE | PROJ. | NR. | BEH. | R | BENAMING | OPMERKING |



Benaming
Title Opstap kwartrond

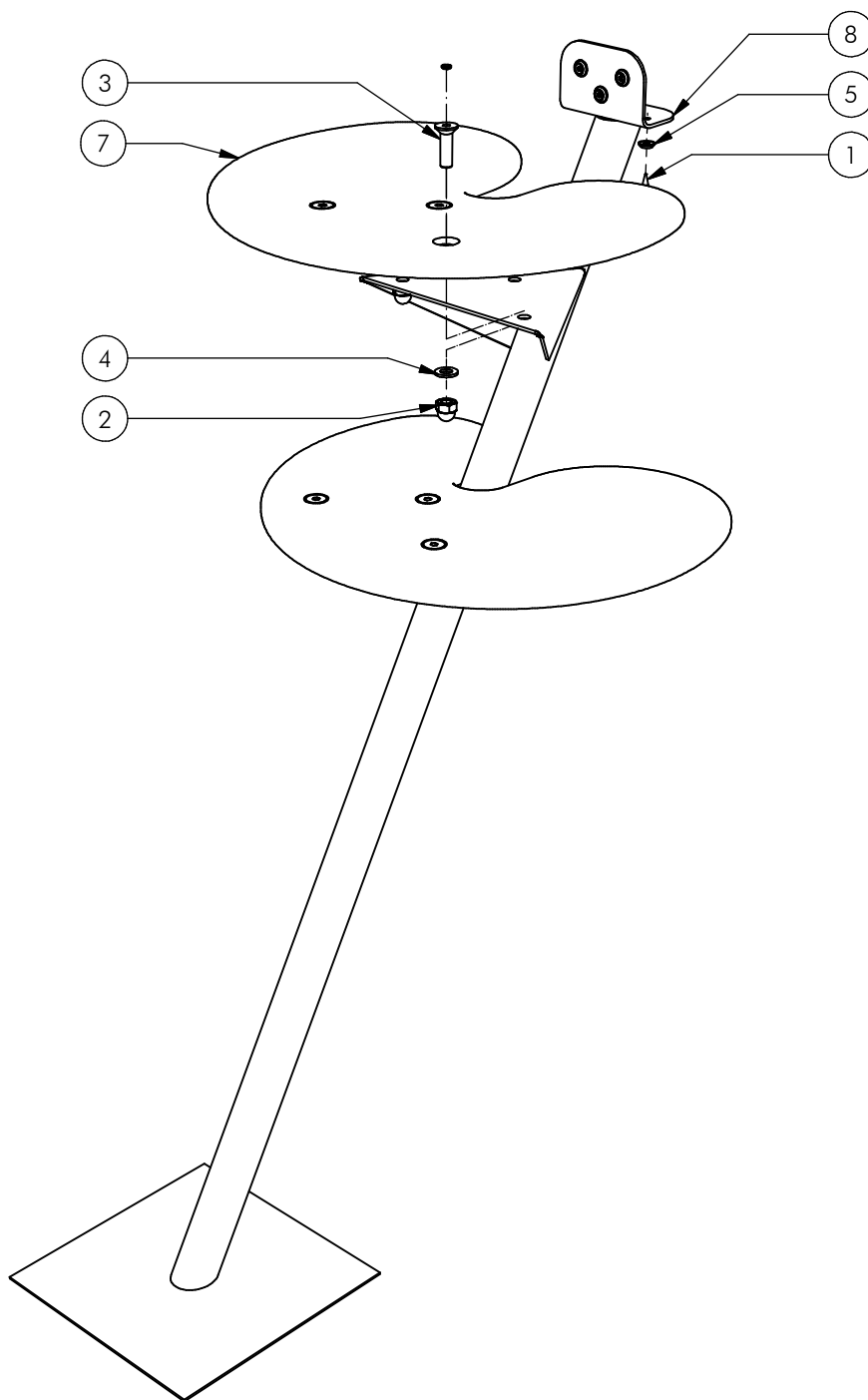
Opmerking
Comment 250mm, Ukkepuk

Datum
Date 19-1-2007

Tekening
Drawing

MOD UKP HHT 161

Samenstelling module *Assembly module*



| Nr | # | Type | Progr. | Volgnr | Bew. | Rev. | Benaming | Opmerking |
|----|---|------|--------|--------|------|------|----------------|----------------------|
| 1 | 5 | BSR | 002 | 005 | 030 | | Schroef Assy | 5 x 30 - RVS A2-70 |
| 2 | 6 | BSR | 011 | 010 | 020 | | DOPMOER | BORG RVS M10 |
| 3 | 6 | BSR | 024 | 010 | 035 | | Verzonken bout | M10 x 35 - RVS A2-70 |
| 4 | 6 | BSR | 030 | 010 | 002 | | SLUITRING | M10 |
| 5 | 5 | BSR | 036 | 005 | 015 | | Facet ring | M5 - RVS A2-70 |
| 6 | 6 | KST | DOP | 006 | 030 | | OPVULDOPJE | 6 MM ROOD |
| 7 | 2 | OHO | UKP | 128 | COA | D | Platform | Boomtrap |
| 8 | 1 | SME | UKP | 577 | 320 | C | Trapboom | Ukkepuk |