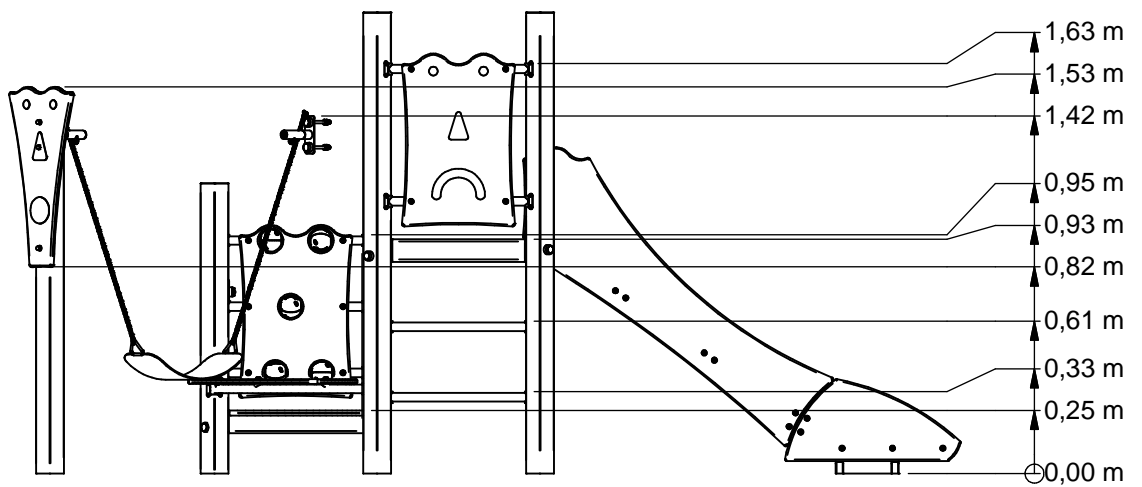
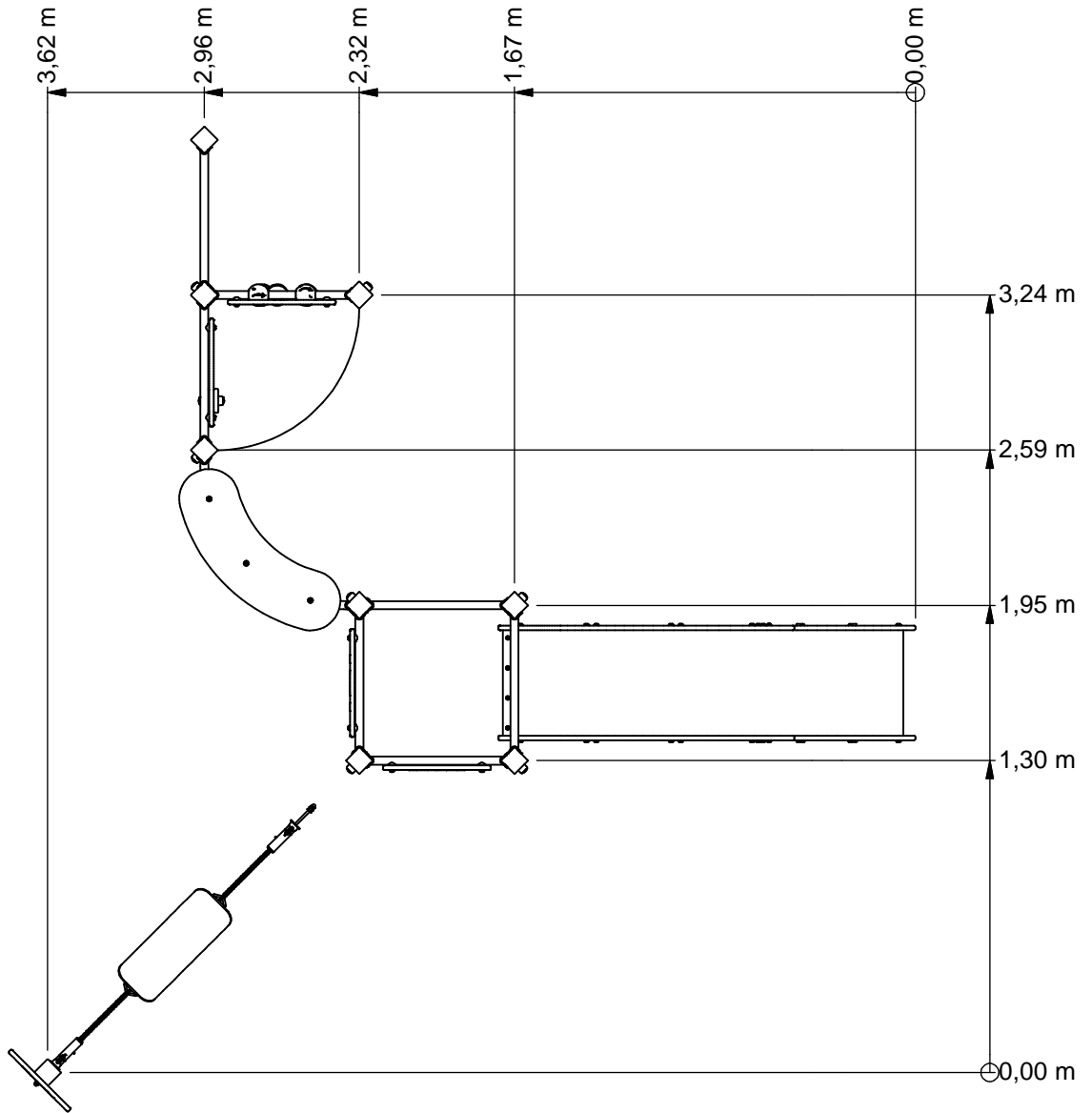




Combination equipment



UKPE026.01R

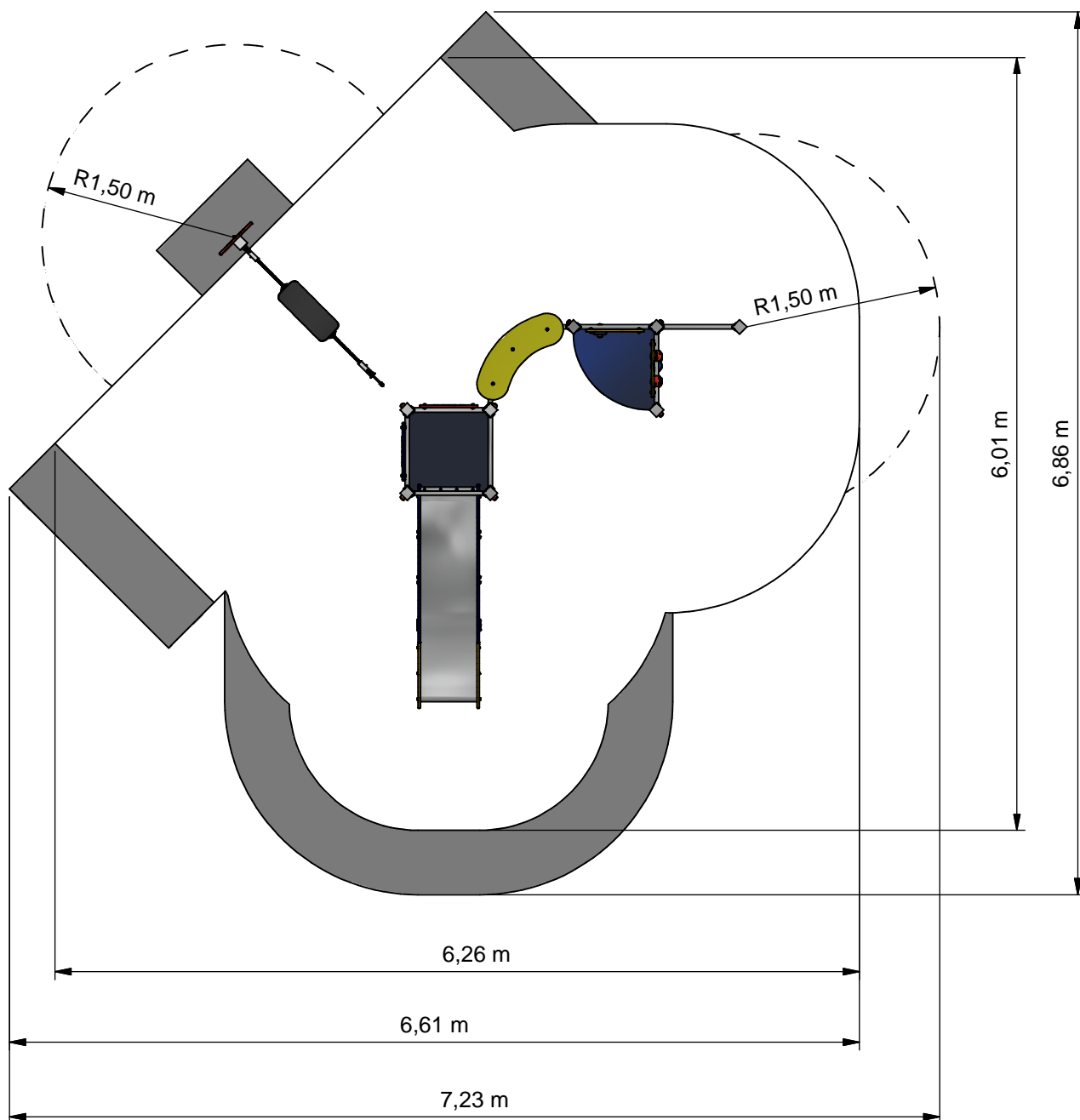


Benaming / Title: Ukkepuk
 Opmerking / Comment: RVS
 Datum / Date: 7-4-2014

Tekening / Drawing

TOE UKP 026 01R A

Afmetingen / Dimensions



- Obstacle free EN-1176
- Obstacle free EN-1176
- Impact area
- Obstacle free WAS
- Obstacle free WAS



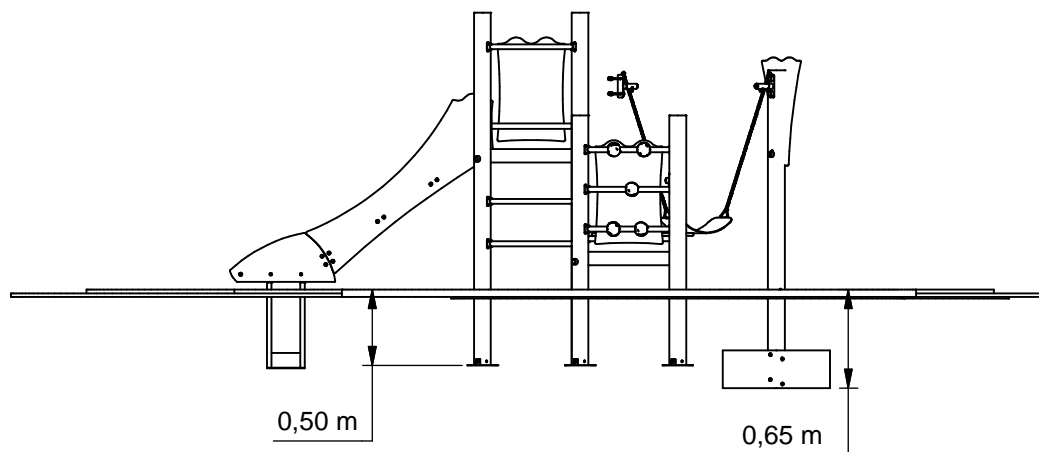
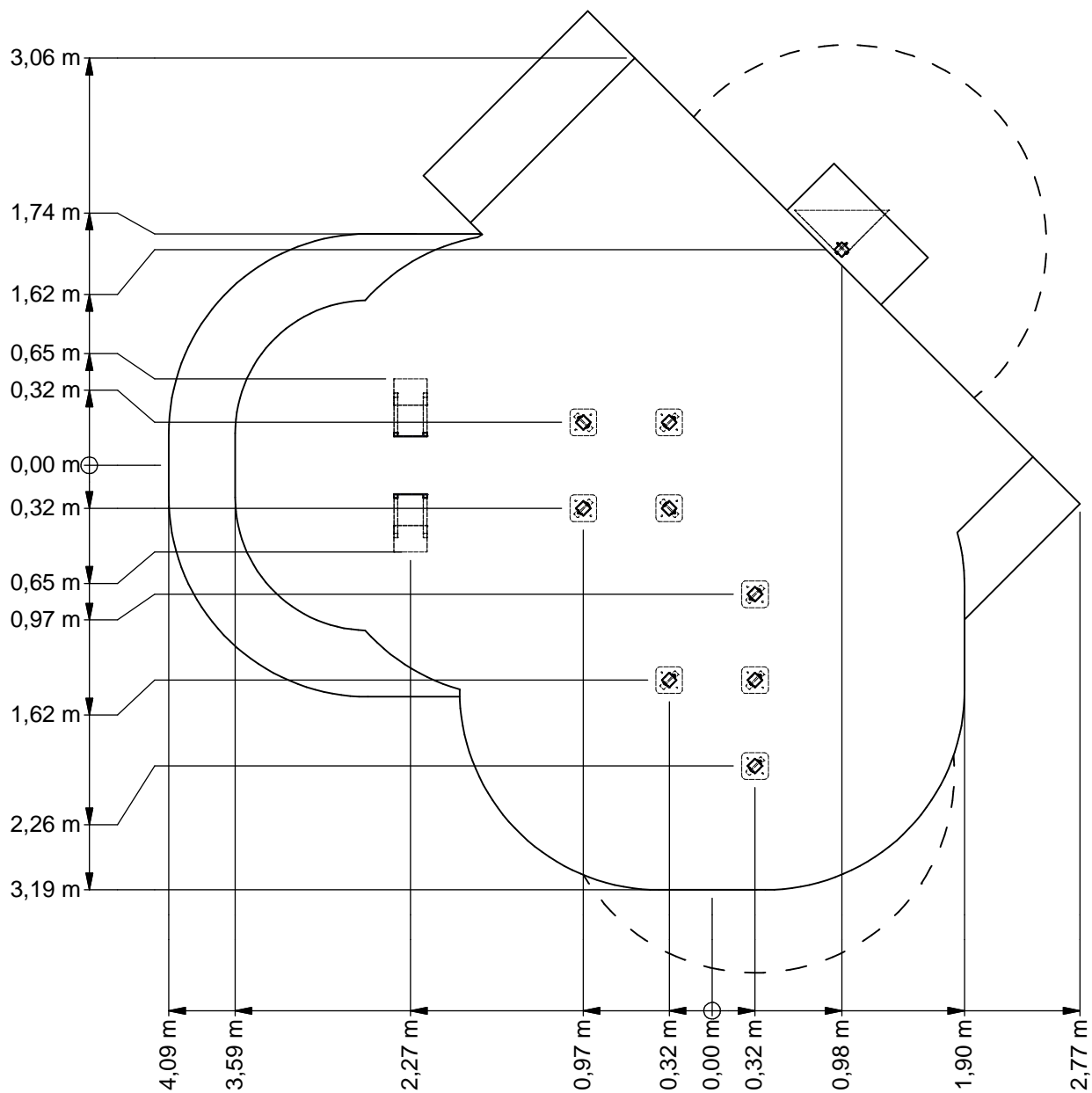
Benaming
Title Ukkepek

Opmerking
Comment RVS

Datum
Date 7-4-2014

Tekening
Drawing

TOE UKP 026 01R A
Obstacle free zone



Benaming
Title Ukkepek

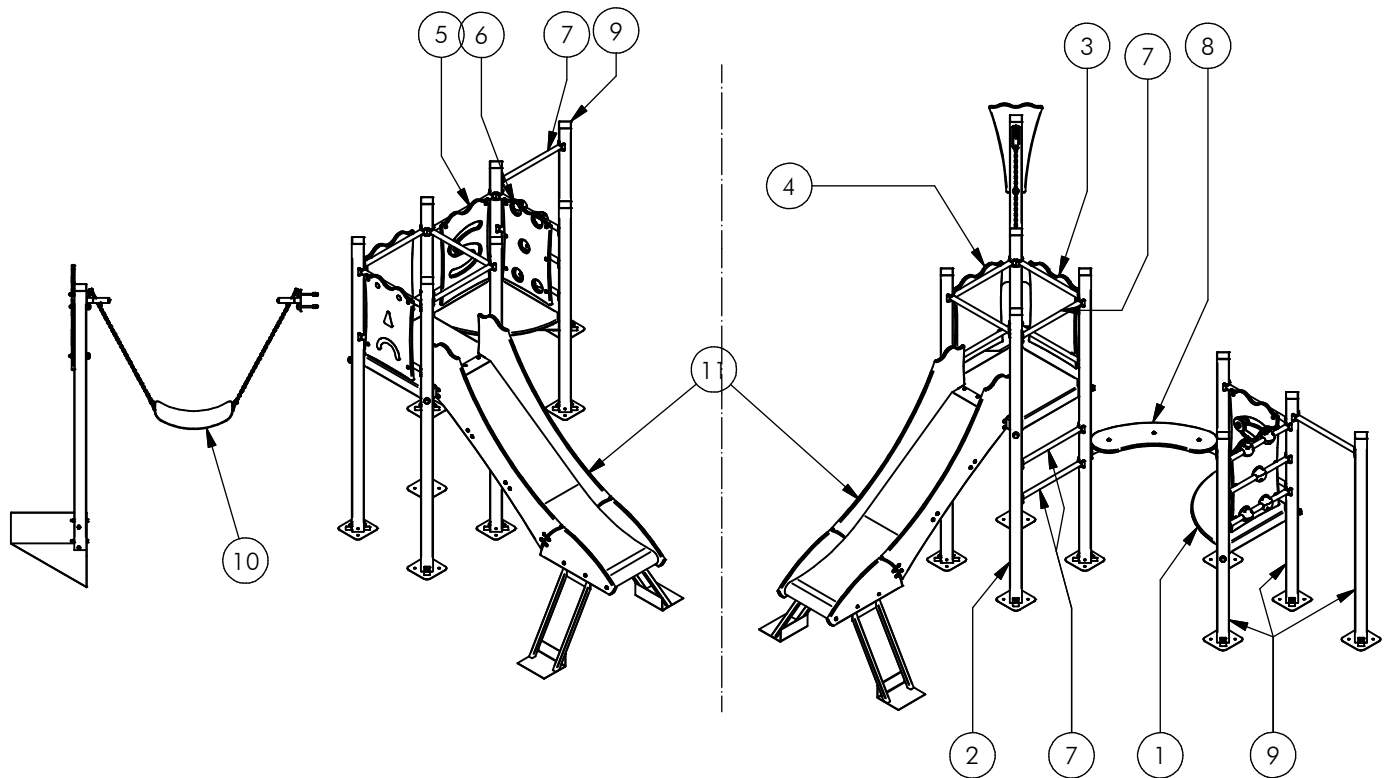
Opmerking
Comment RVS

Datum
Date 7-4-2014

Tekening
Drawing

TOE UKP 026 01R A

Bodemplan *Groundplan*



Nr	#	Type	Progr.	Volgnr	Bew.	Rev.	Benaming	Opmerking
1	1	MOD	UKP	RVS	102		VLOER KWARTROND	UKKEPUK
2	1	MOD	UKP	RVS	106		TOREN HOOG	UKKEPUK
3	1	MOD	UKP	RVS	110	A	WANDJE OH	UKKEPUK
4	1	MOD	UKP	RVS	112	A	WANDJE HUIL	UKKEPUK
5	1	MOD	UKP	RVS	116	B	S-baan	Ukkepuk RVS
6	1	MOD	UKP	RVS	120	A	Ballenwand	Ukkepuk
7	4	MOD	UKP	RVS	130		SYSTEEMBUIS	UKKEPUK
8	1	MOD	UKP	RVS	137	A	ZITJE KWARTROND	UKKEPUK
9	4	MOD	UKP	RVS	141		STAANDER VLOER 250MM	UKKEPUK
10	1	MOD	UKP	RVS	156	B	Aanbouwschommel	Ukkepuk RVS
11	1	MOD	UKP	RVS	178	A	Glijbaan	93 cm Vloer



Benaming
Title Ukkepuk

Opmerking
Comment RVS

Datum
Date 7-4-2014

Tekening
Drawing

TOE UKP 026 01R A

Modules Modules

UKPE026.01R

Combination equipment

LOGBOOK

(Onderstaand logboek kan gebruikt worden om te voldoen aan de eisen, gesteld in artikel 14 van het Warenwetbesluit Attractie- en Speeltoestellen)

Type indication	Toddler Play
Product code	UKPE026.01R
Name of equipment	Ukkepuk Klimklautertoestel
Maximum height of fall	1,0 m
Year of construction	2017
Certificate	09200116218
inspection authority	Liftinstituut B.V. Buikslotermeerplein 381, A'dam - 1025 XE Amsterdam
Name manufacturer	BOERplay Hyacintstraat 2 - 4255 HX Nieuwendijk Phone: +31 (0)183 40 23 66 Fax: +31 (0)183 40 35 64
name installer	_____ _____
Description of equipment	Combination equipment
Location of equipment	_____
Data about the owner of the play equipment	
Name:	_____
Address:	_____
Postcode and town:	_____
Contact person:	_____
Telephone number:	_____
Data about the administrator of the play equipment	
Name:	_____
Address:	_____
Postcode and town:	_____
Contact person:	_____
Telephone number:	_____

LOGBOOK

Inspection and maintenance intervals



Nr.	Inspection	Maintenance	months between inspections
1	Verify equipment's stability, junctions and missing parts. Inspect bolts, screws and nuts for absence, jams, corrosion and wear.	Add missing parts, secure joints, apply missing fixing agent and replace corroded parts.	1
2	Check suspension for wear.	Replace worn parts and/or remove non-functioning parts.	1
3	Inspect rotating parts such as hinges, rolling-element bearings, etc. for wear and acceptability.	Replace worn parts and/or remove non-functioning parts.	1
4	Check wood for splinters, unacceptable damage and signs of rot. Especially at ground level.	Repair damage. Replace affected wood. Smoothen splintered wood and sharp edges.	1
5	Inspect foundation for stability, tearing and coverage.	Restore foundation and covering material.	3
6	Examine rubber and synthetic parts for wear, damage and break.	Replace original parts.	3
7	Inspect metal for corrosion and damage in the coating.	Restore any damaged coating (after removing rust and applying primer).	6
8	Check ropes, cables, chains and nets for wear and damage. Steel cables and nets which are tensioned must be checked for tension.	Replace parts where necessary. Steel cables and nets must be tensioned.	3
9	Inspect equipment for unsafe changes and additions.	Remove unsafe additions and correct unsafe changes.	1
10	Inspect safety surfaces.	Restore and repair where necessary.	1

Remarks

1. If used intensively, all points require extra attention.
2. Extreme weather conditions and locations may require a higher inspection frequency. Discuss this with the supplier.
3. Vandalism-sensitive locations require stricter inspections, possibly daily.
4. Check the terrain regularly for items that do not belong there, are unsafe or may be used wrongly. Examples are poisonous plants, glass shards, etc. Frequency depends on strain.
5. Remember that bad maintenance leads to unsafe conditions and notably faster impoverishment of the playground area.
6. Replacement parts can be ordered at the manufacturer with the part numbers on the module drawing. Drawings can be found in de user guide.
7. The impact area shall be provided with impact attenuating surface according to the specified falling height.
8. This list is conform the CEN-standard "playground equipment and surfacing NEN-EN 1176-7".

TYPE-EXAMINATION CERTIFICATE

Acting under the " Warenwetbesluit Attractie- en Speeltoestellen" issued by Liftinstituut B.V.
commissioned by departmental order, no. VGP/PSL 2857566 from 27 Juni 2008.

Certificate nr. : NL 09-2001-162-18 Revision nr.: 200116218

Description of the product : Playground equipment, Ukkepek

Trademark, type : Speelwijzer, UKP.....

Name and address of the manufacturer : Speelwijzer
Nijverheidsstraat 8
5317 NL Nederhemert Noord

Name and address of the certificate holder : Speelwijzer
Nijverheidsstraat 8
5317 NL Nederhemert Noord

Certificate issued on the basis of the following requirements : Warenwetbesluit Attractie- en Speeltoestellen

Test laboratory : None

Date and number of the laboratory report : None

Date of type-examination : 01-09-2001 t/m 03-09-2001, 21-02-2009

Annexes with this certificate : Report belonging to the type-examination certificate nr.: NL 09-2001-162-18

Additional remarks : This certificate supersedes type certificate dated April 27th 2005, with certificate number NL 09-2001-162-18

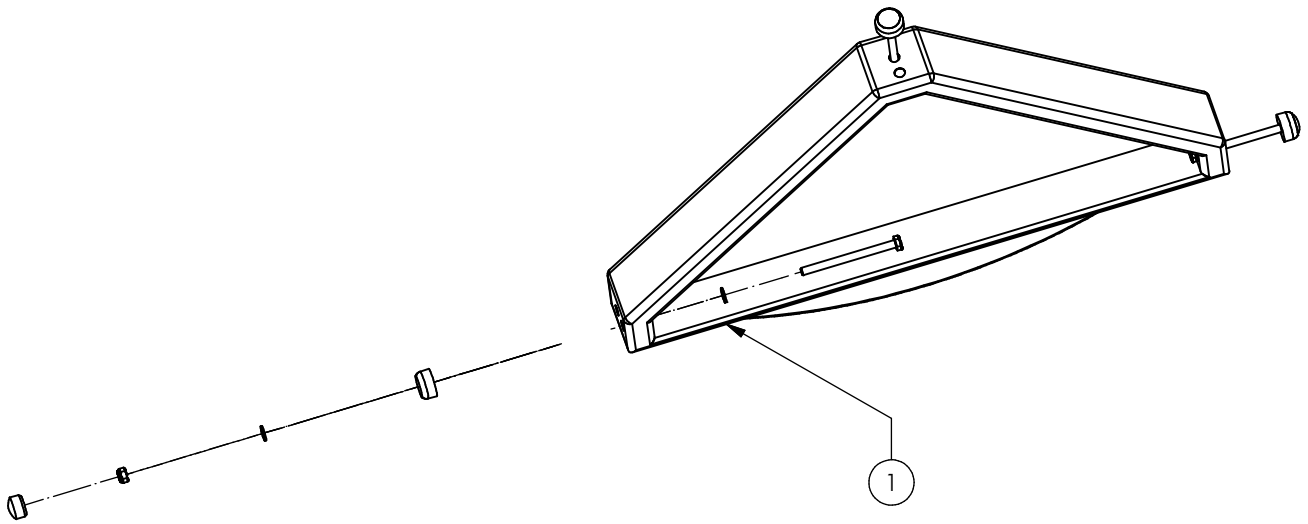
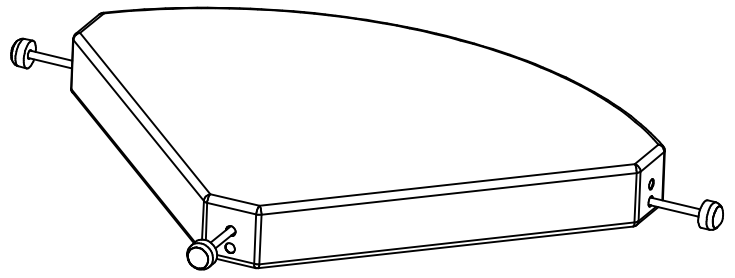
Conclusion : The playground equipment meets the requirements of the above specified European standard(s) and "Warenwetbesluit Attractie- en Speeltoestellen" taking into account any additional remarks mentioned above.

Issued in Amsterdam

Date of issue : April 7th, 2009



Ir. V.M.A. Barendregt
Senior Officer Certification &
Technology
Liftinstituut B.V.



1	1	SMD	UKP	RVS	102		VLOER KWARTTROND	UKKEPUK
POS	N	TYPE	PROJ	NR.	BEH.	R	BENAMING	OPMERKING



Benaming
Title VLOER KWARTTROND

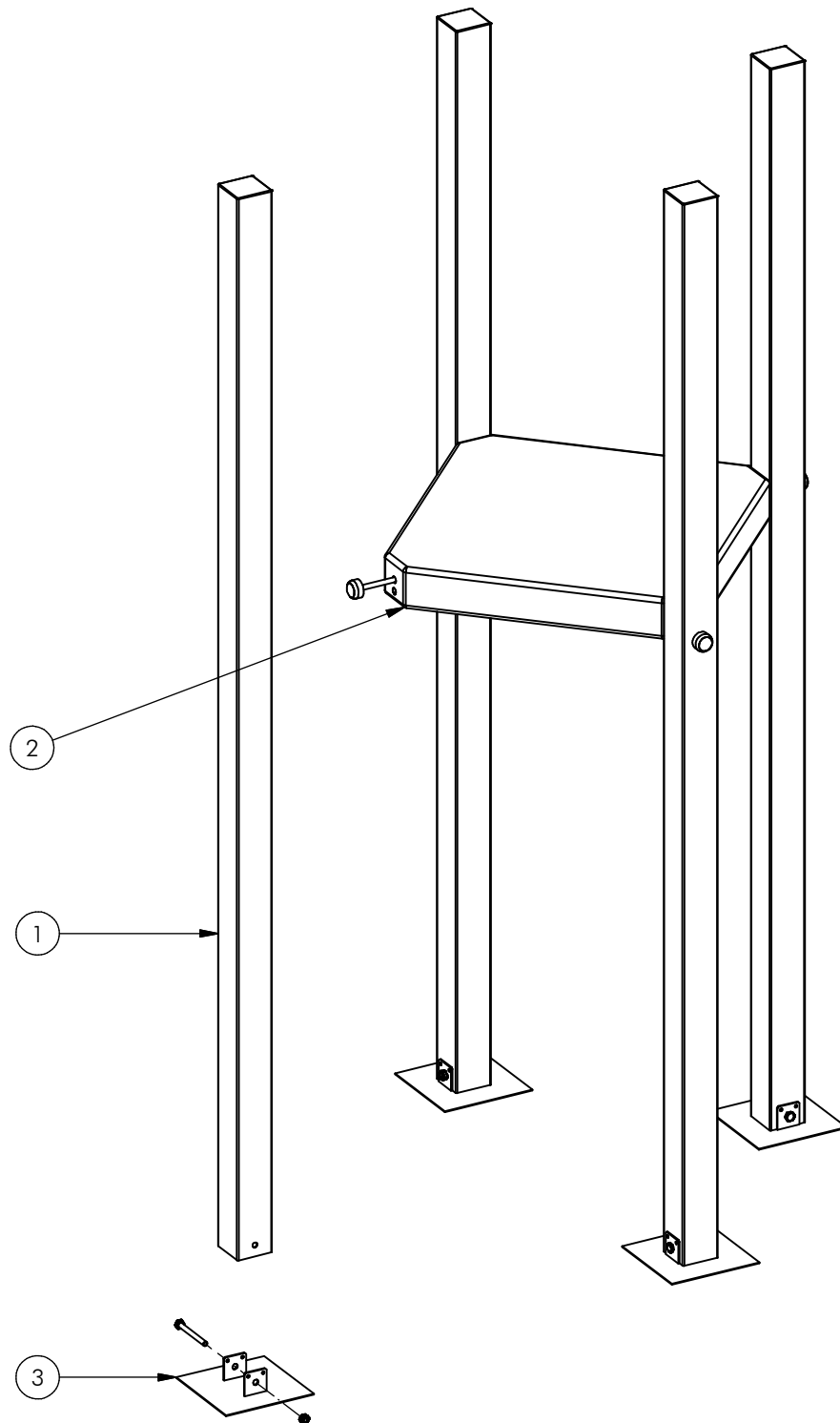
Opmerking
Comment UKKEPUK

Datum
Date 30-1-2007

Tekening
Drawing

MOD UKP RVS 102

Samenstelling module *Assembly module*



3	4	SMD	UKP	RVS	103	ANKER PLAAT	UKKEPUK
2	1	SMD	UKP	RVS	100	VLOER VIERKANT	UKKEPUK
1	4	SME	080	014	320	Staander RVS	80x80, lengte=2330
POS	N	TYPE	PROJ.	NR.	BEH.	R	BENAMING
							OPMERKING



Benaming
Title TOREN HOOG

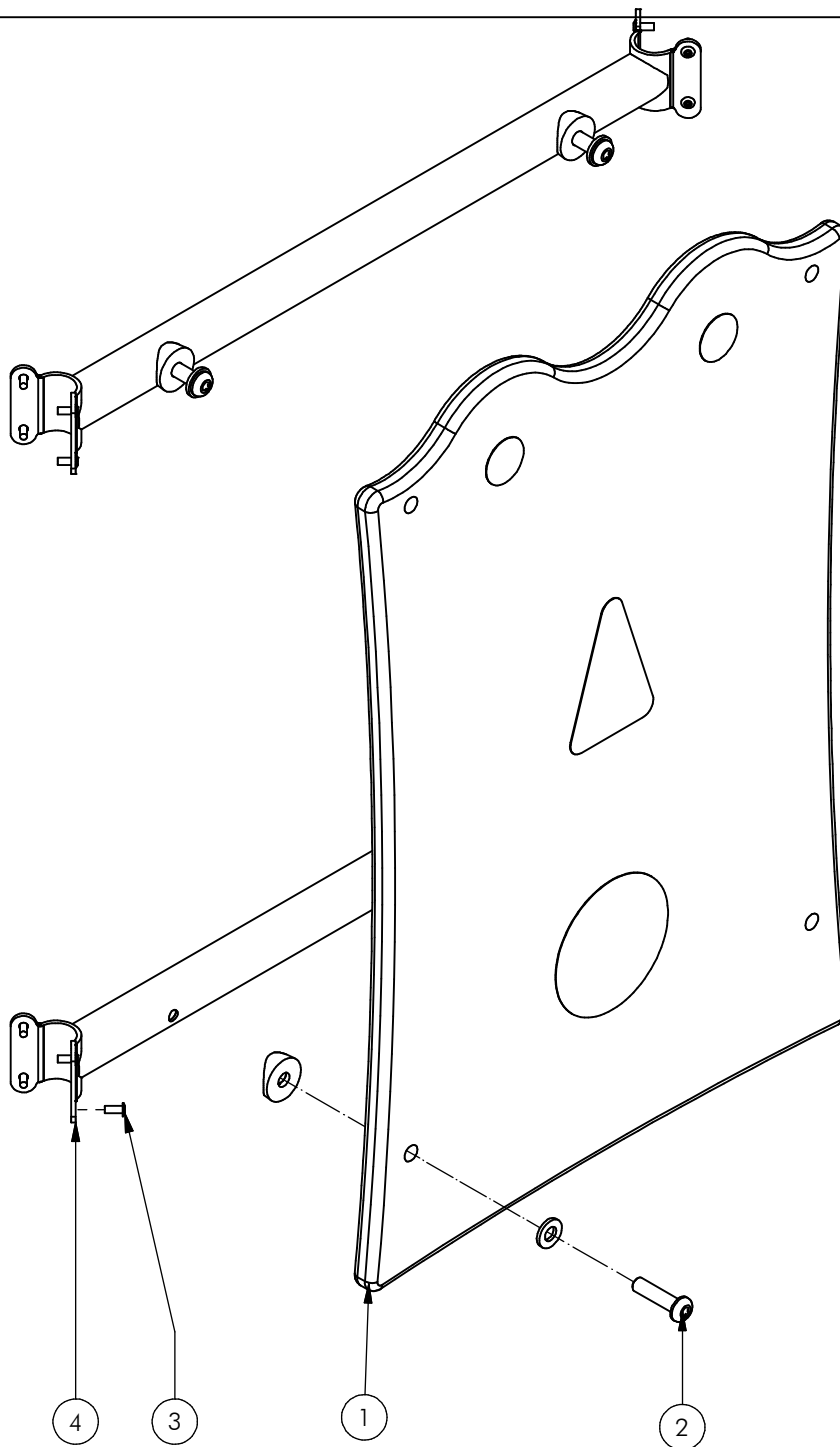
Opmerking
Comment UKKEPUK

Datum
Date 30-1-2007

Tekening
Drawing

MOD UKP RVS 106

Samenstelling module *Assembly module*



4	2	SME	UKP	501	320	A	SYSTEEMBUIS	UKKEPUK
3	4	SMD	UKP	RVS	105		BEVESTIGING VLINDER	UKKEPUK RVS
2	4	SMD	UKP	ALG	106	A	WAND BEVESTIGING	UKKEPUK
1	1	OPE	UKP	002	030	D	WAND OH	UKKEPUK
POS	N	TYPE	PROJ.	NR.	BEH.	R	BENAMING	OPMERKING



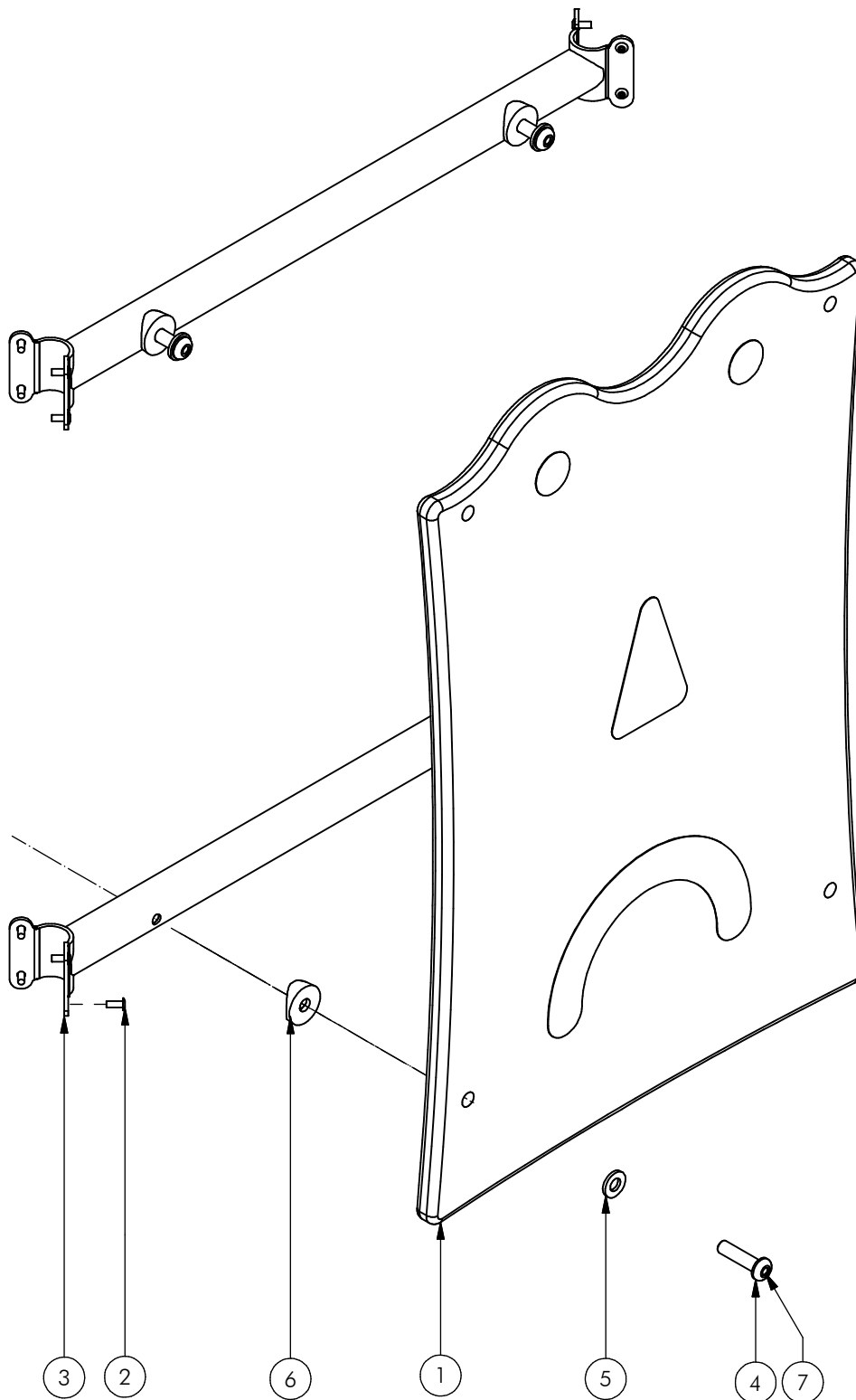
Benaming
Title WANDJE OH

Opmerking
Comment UKKEPUK

Datum
Date 9-12-2013

Tekening
Drawing

MOD UKP RVS 110 A
 Samenstelling module *Assembly module*



7	4	KST	DOP	006	030	OPVULDOPJE	6 MM ROOD
6	4	KST	T33	010	000	ZADELRING	BUIS 33.7
5	4	KST	ROR	010	000	RING NYLON	M10 x 2.5 MM
4	4	BSR	O23	010	040	Bolkopbout ISO 7380	M10 x 40 - RVS A2-70
3	2	SME	UKP	501	320	A SYSTEEMBUIS	UKKEPUK
2	4	SMD	UKP	RVS	105	BEVESTIGING VLINDER	UKKEPUK RVS
1	1	OPE	UKP	005	050	D WAND HUIL	UKKEPUK
POS	N	TYPE	PROJ.	NR.	BEH.	R BENAMING	OPMERKING



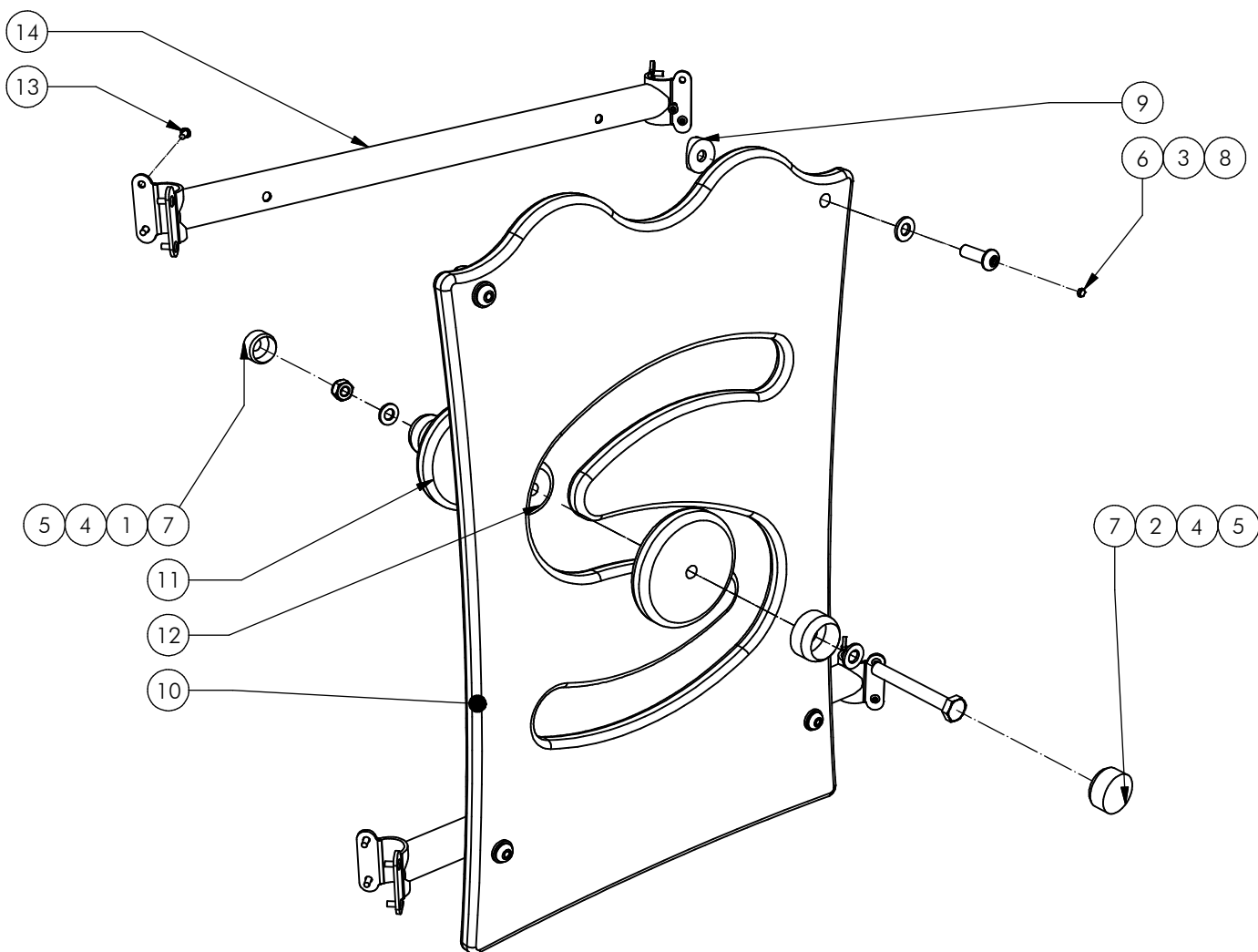
Benaming
Title WANDJE HUIL

Opmerking
Comment UKKEPUK

Datum
Date 9-12-2013

Tekening
Drawing

MOD UKP RVS 112 A
 Samenstelling module *Assembly module*



Nr	#	Type	Progr.	Volgnr	Bew.	Rev.	Benaming	Opmerking
1	1	BSR	010	010	010		Borgmoer	M10 - RVS A2-70
2	1	BSR	021	010	080		Zeskantbout	M10 x 80 - RVS A2-70
3	4	BSR	023	010	030		Bolkopbout ISO 7380	M10 x 30 - RVS A2-70
4	2	BSR	030	010	002		Sluitring	M10 - RVS A2-70
5	2	KST	DON	010	030		Beschermdop M10-M12	Donut Rood
6	4	KST	DOP	006	030		OPVULDOPJE	6 MM ROOD
7	2	KST	DOP	010	030		Beschermdop M10-M12	Dop rood
8	4	KST	ROR	010	000		RING NYLON	M10 x 2.5 MM
9	4	KST	T33	010	000		ZADELRING	BUIS 33.7
10	1	OPE	UKP	022	010	E	Wand S-baan	Ukkepek
11	2	OPE	UKP	108	050		S-wand schijf groot	Ukkepek
12	1	OPE	UKP	109	050		S-wand schijf klein	Ukkepek
13	4	SMD	UKP	RVS	105		BEVESTIGING VLINDER	UKKEPUK RVS
14	2	SME	UKP	501	320	A	SYSTEEMBUIS	UKKEPUK



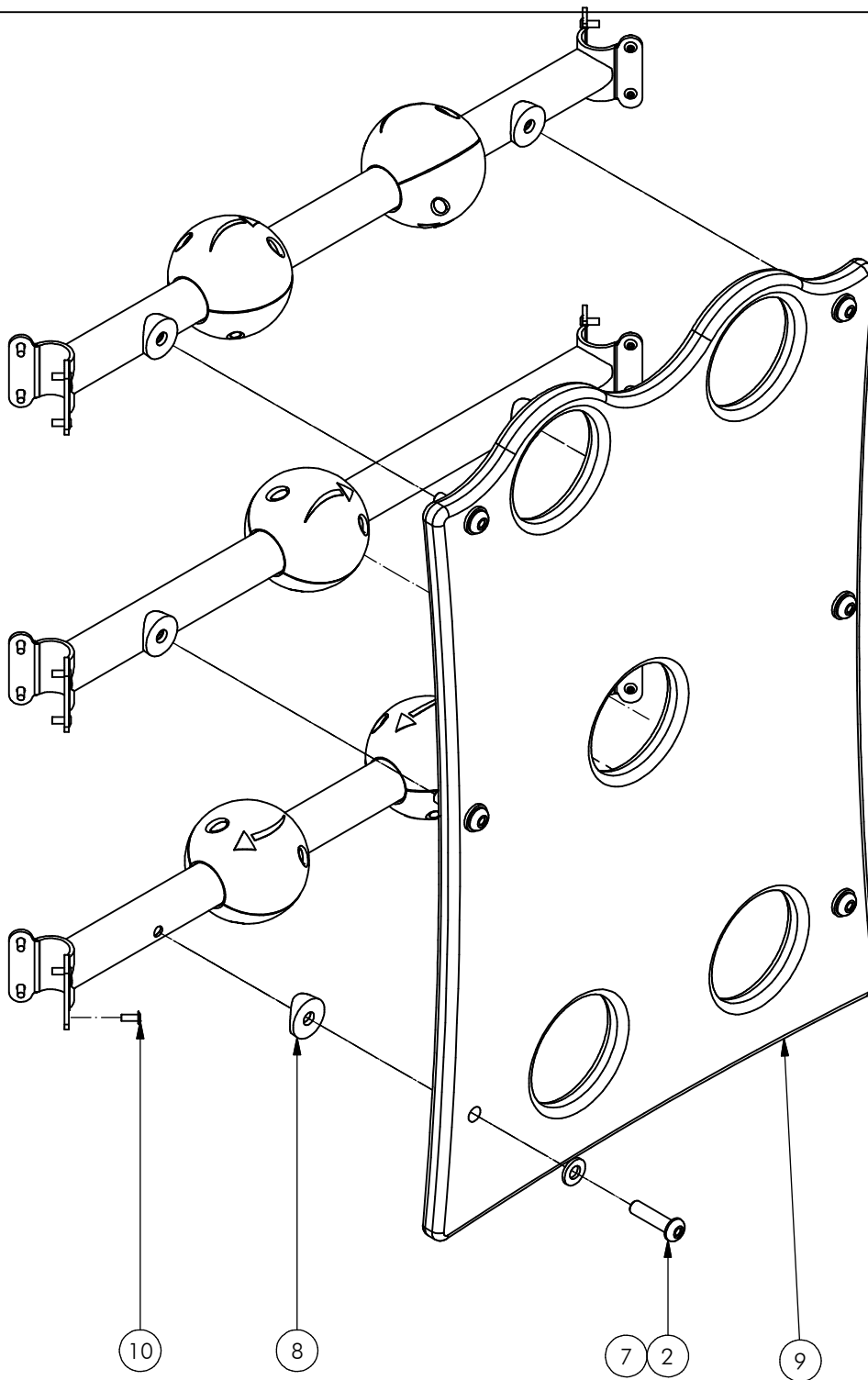
Benaming
Title S-baan

Opmerking
Comment Ukkepek RVS

Datum
Date 27-1-2015

Tekening
Drawing

MOD UKP RVS 116 B
 Samenstelling module Assembly module



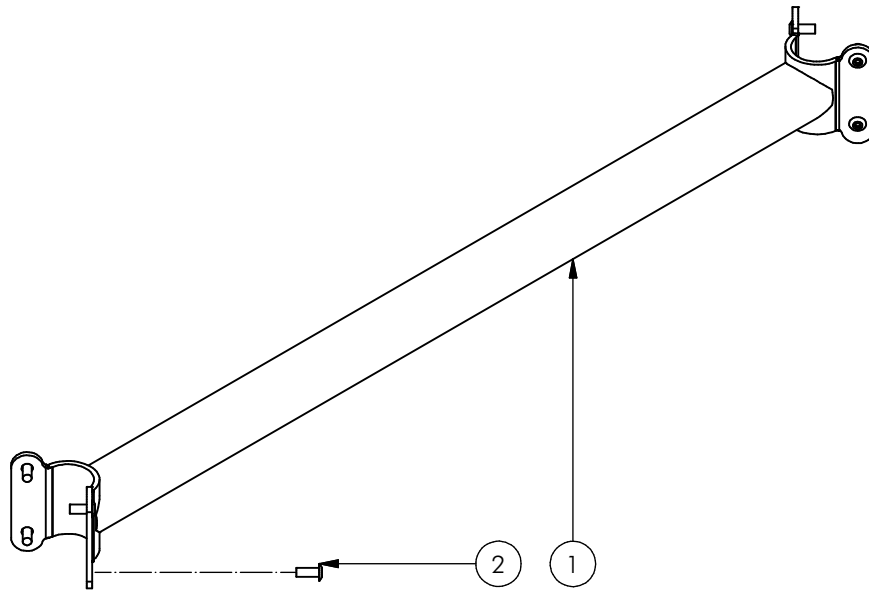
Nr	#	Type	Progr.	Volgnr	Bew.	Rev.	Benaming	Opmerking
1	20	BSR	005	004	019		Zelfb. schroef	3,5 x 19 - RVS A2-70
2	6	BSR	023	010	040		Bolkopbout ISO 7380	M10 x 40 - RVS A2-70
3	3	KST	BOL	036	030		Telbol helft	Rood
4	4	KST	BOL	036	050		Telbol helft	Blauw
5	3	KST	BOL	036	010		Telbol helft	Geel
6	6	KST	DOP	006	030		OPVULDOPJE	6 MM ROOD
7	6	KST	ROR	010	000		RING NYLON	M10 x 2.5 MM
8	6	KST	T33	010	000		ZADELRING	BUIS 33.7
9	1	OPE	UKP	034	010	B	Wand draaibollen	Ukkepek
10	6	SMD	UKP	RVS	105		BEVESTIGING VLINDER	UKKEPUK RVS
11	3	SME	UKP	501	320	A	SYSTEEMBUIS	UKKEPUK



Benaming Title: Ballenwand
 Opmerking Comment: Ukkepek
 Datum Date: 6-12-2013

Tekening Drawing

MOD UKP RVS 120 A
 Samenstelling module Assembly module



2	2	SMD	UKP	RVS	105		BEVESTIGING VLINDER	UKKEPUK RVS
1	1	SME	UKP	500	320	A	SYSTEEMBUIS	UKKEPUK
POS	N	TYPE	PROJ.	NR.	BEH.	R	BENAMING	OPMERKING



Benaming
Title SYSTEEMBUIS

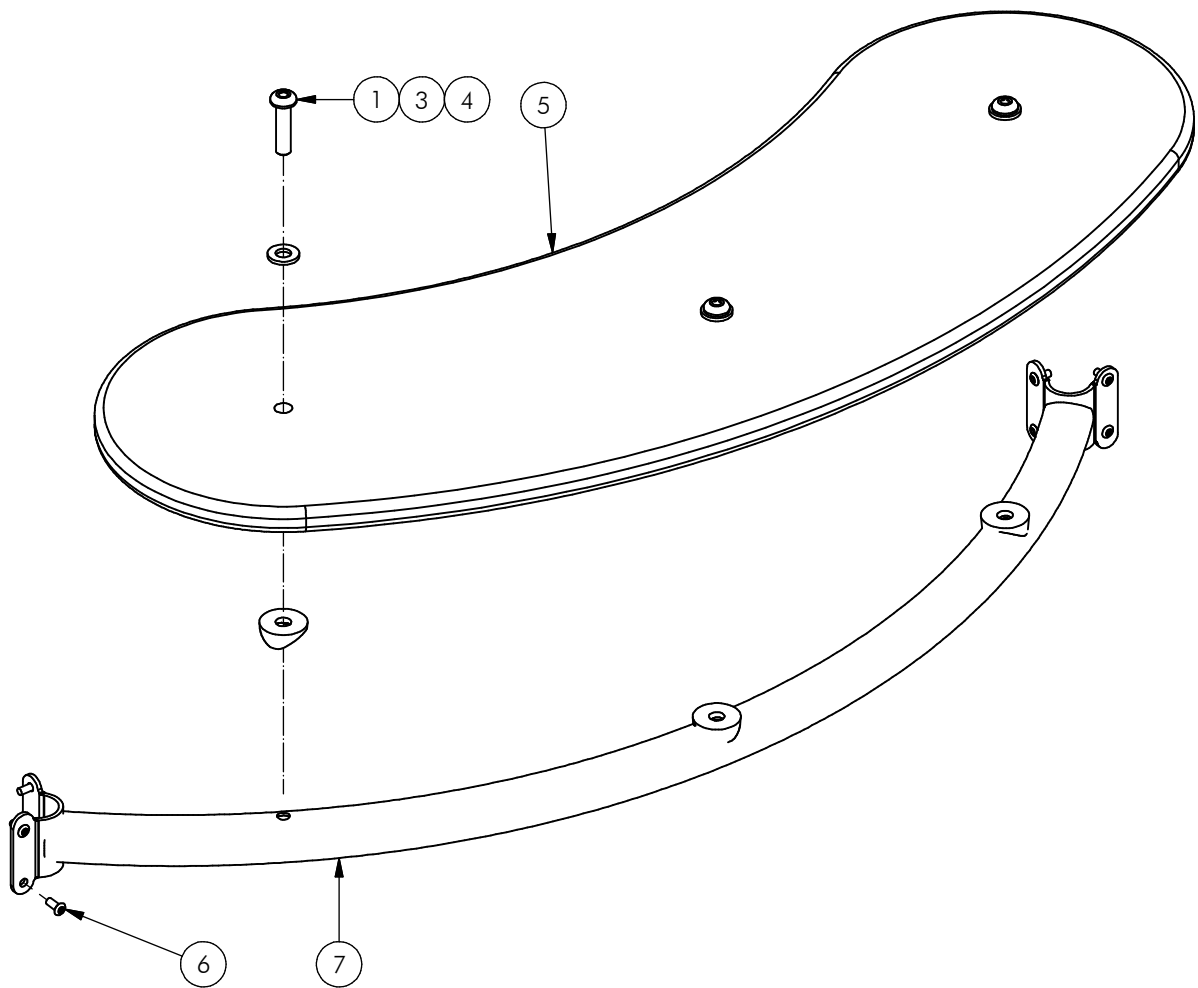
Opmerking
Comment UKKEPUK

Datum
Date 30-1-2007

Tekening
Drawing

MOD UKP RVS 130

Samenstelling module *Assembly module*



7	1	SME	UKP	541	320		BUIS ZITJE KWARTROND	UKKEPUK
6	2	SMD	UKP	RVS	105		BEVESTIGING VLINDER	UKKEPUK RVS
5	1	OPE	UKP	014	010	B	ZITJE KWARTROND	UKKEPUK
4	3	KST	T33	010	000		ZADELRING	BUIS 33.7
3	3	KST	ROR	010	000		RING NYLON	M10 x 2.5 MM
2	3	KST	DOP	006	030		OPVULDOPJE	6 MM ROOD
1	3	BSR	023	010	040		Bolkopbout ISO 7380	M10 x 40 - RVS A2-70
POS	N	TYPE	PROJ.	NR.	BEH.	R	BENAMING	OPMERKING



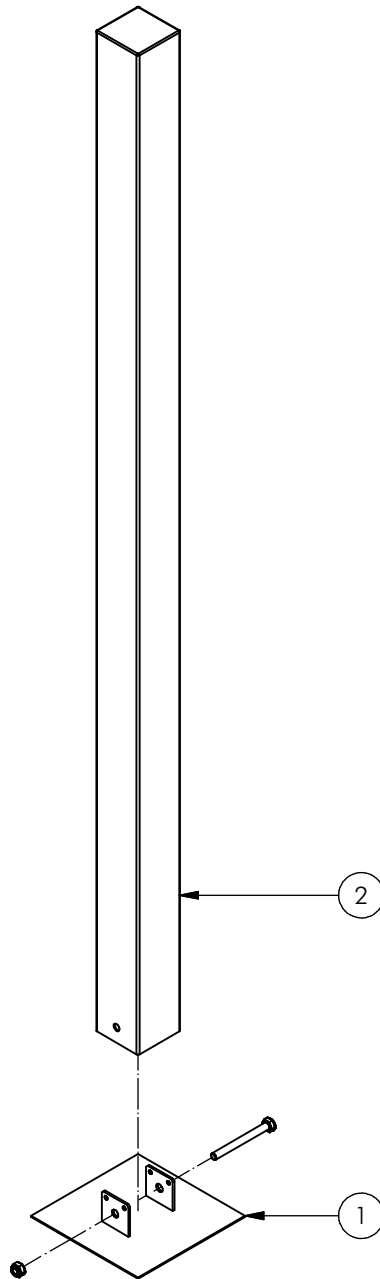
Benaming
Title ZITJE KWARTROND

Opmerking
Comment UKKEPUK

Datum
Date 14-3-2014

Tekening
Drawing

MOD UKP RVS 137 A
 Samenstelling module Assembly module



2	1	SME	080	010	320	Stander RVS	80x80, lengte=1820	
1	1	SMD	UKP	RVS	103	ANKER PLAAT	UKKEPUK	
POS	N	TYPE	PROJ.	NR.	BEH.	R	BENAMING	OPMERKING



Benaming
Title | STAANDER VLOER 250MM

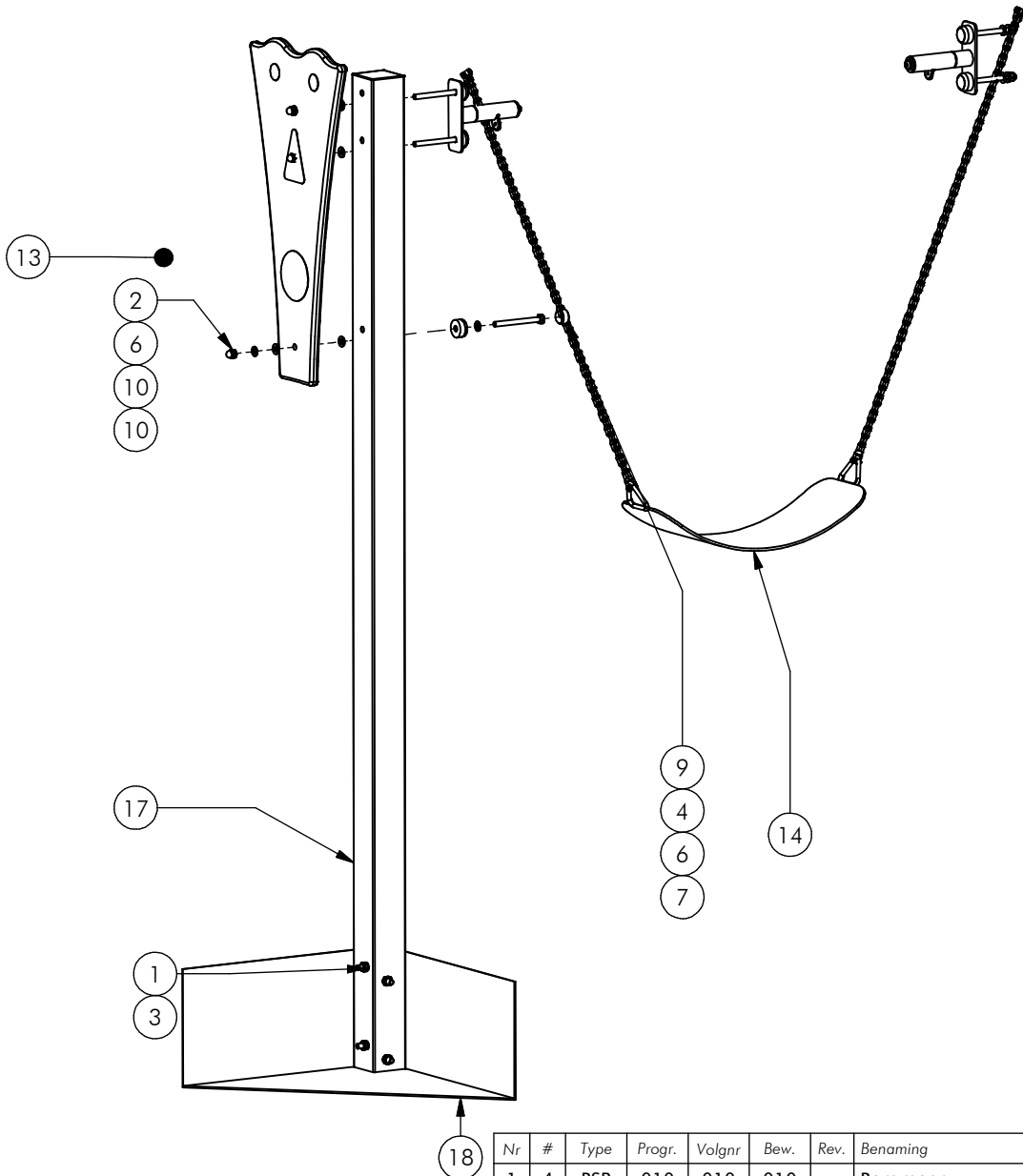
Opmerking
Comment | UKKEPUK

Datum
Date | 30-1-2007

Tekening
Drawing

MOD UKP RVS 141

Samenstelling module *Assembly module*



Nr	#	Type	Progr.	Volgnr	Bew.	Rev.	Benaming	Opmerking
1	4	BSR	010	010	010		Borgmoer	M10 - RVS A2-70
2	5	BSR	011	010	020		DOPMOER	BORG RVS M10
3	4	BSR	021	010	105		Zeskantbout	M10 x 105 - RVS A2-70
4	5	BSR	021	010	110		Zeskantbout	M10 x 110 - RVS A2-70
5	2	BSR	023	010	016		Bolkopbout ISO 7380	M10 x 16 - RVS A2-70
6	10	BSR	030	010	002		SLUITRING	M10
7	5	KST	DON	010	030		Beschermkop M10-M12	Donut Rood
8	2	KST	DOP	006	030		OPVULDOPJE	6 MM ROOD
9	5	KST	DOP	010	030		Beschermkop M10-M12	Dop rood
10	12	KST	ROR	010	000		RING NYLON	M10 x 2.5 MM
11	4	LAG	IGS	025	048		Glijlager	Igus
12	2	OME	UKP	561	320		Eindplaat schommel	Ukkepuk
13	1	OPE	UKP	032	030	B	Schommelkop Oh	Ukkepuk
14	1	SMD	UKP	001	001	B	Schommelzitie	Ukkepuk
15	2	SME	UKP	558	320	B	Schommel	Ukkepuk
16	2	SME	UKP	559	320	B	Loopdeel scharnier	Ukkepuk
17	1	SME	UKP	574	320	A	STAANDER RVS	Schommel
18	1	SME	VRB	616	372		Grondanker	Extra zwaar



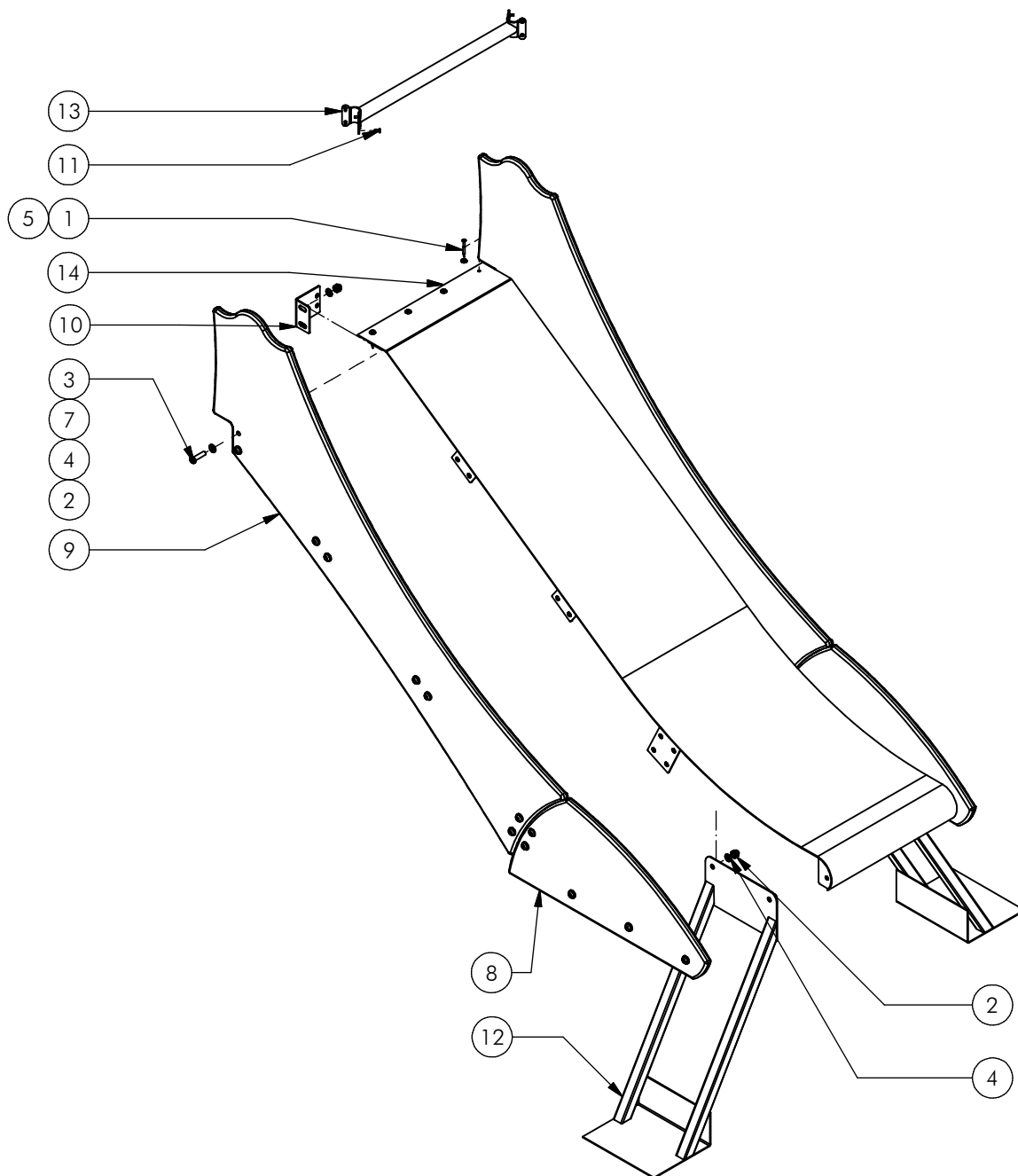
Benaming
Title Aanbouwschommel

Opmerking
Comment Ukkepuk RVS

Datum
Date 14-3-2014

Tekening
Drawing

MOD UKP RVS 156 B
Samenstelling module Assembly module



14	1	SME	UKP	586	320	B	Glijvlak hoge glijbaan	Ukkepek
13	1	SME	UKP	500	320	A	SYSTEEMBUIS	UKKEPUK
12	2	SME	DRM	051	372	A	ANKER ZOEUF	SCHUIN
11	2	SMD	UKP	RVS	105		BEVESTIGING VLINDER	UKKEPUK RVS
10	2	OME	UKP	577	304		Bevestigingshoek	Glijbaan Ukkepek
9	2	OPE	UKP	043	050	A	Zijwand hoge glijbaan	Ukkepek
8	2	OPE	UKP	042	010	C	Neus hoge glijbaan	Ukkepek
7	26	KST	ROR	010	000		RING NYLON	M10 x 2.5 MM
6	26	KST	DOP	006	030		OPVULDOPJE	6 MM ROOD
5	4	BSR	036	005	015		Facet ring	M5 - RVS A2-70
4	26	BSR	030	010	002		SLUITRING	M10
3	26	BSR	023	010	040		Bolkopbout ISO 7380	M10 x 40 - RVS A2-70
2	26	BSR	011	010	020		DOPMOER	BORG RVS M10
1	4	BSR	002	005	050		SCHROEF	5 x 50
POS	N	TYPE	PROJ.	NR.	BEH.	R	BENAMING	OPMERKING