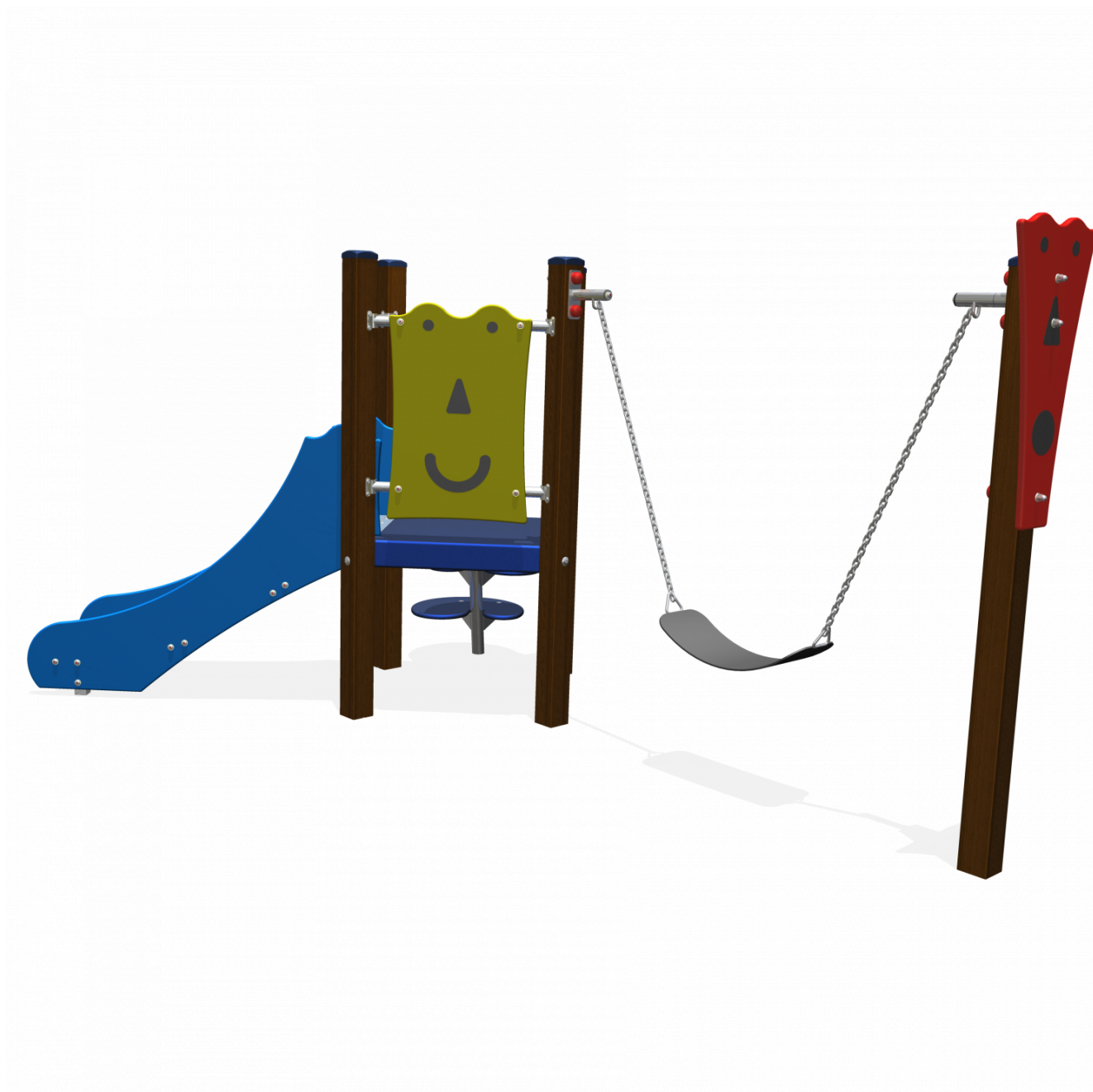
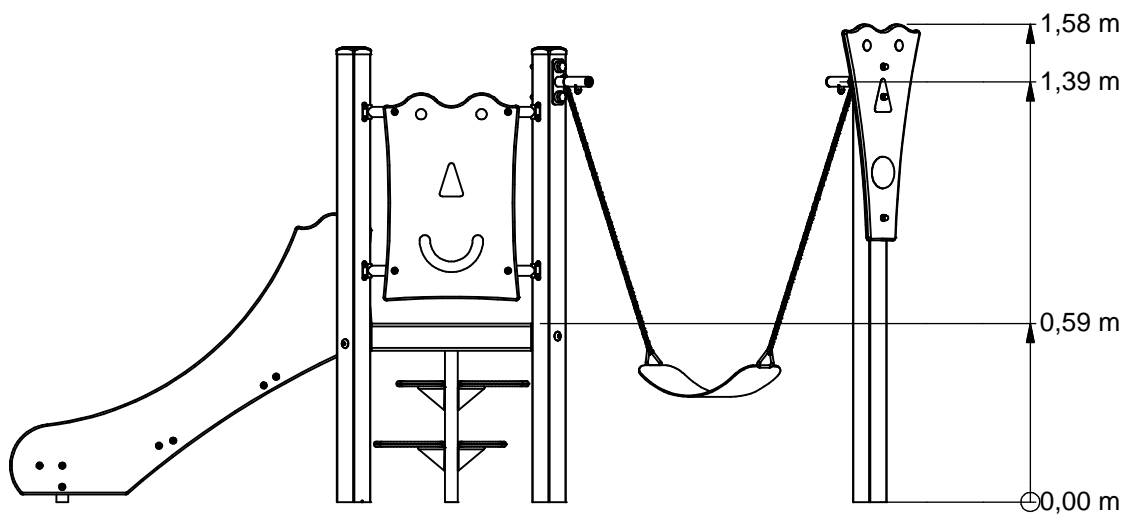
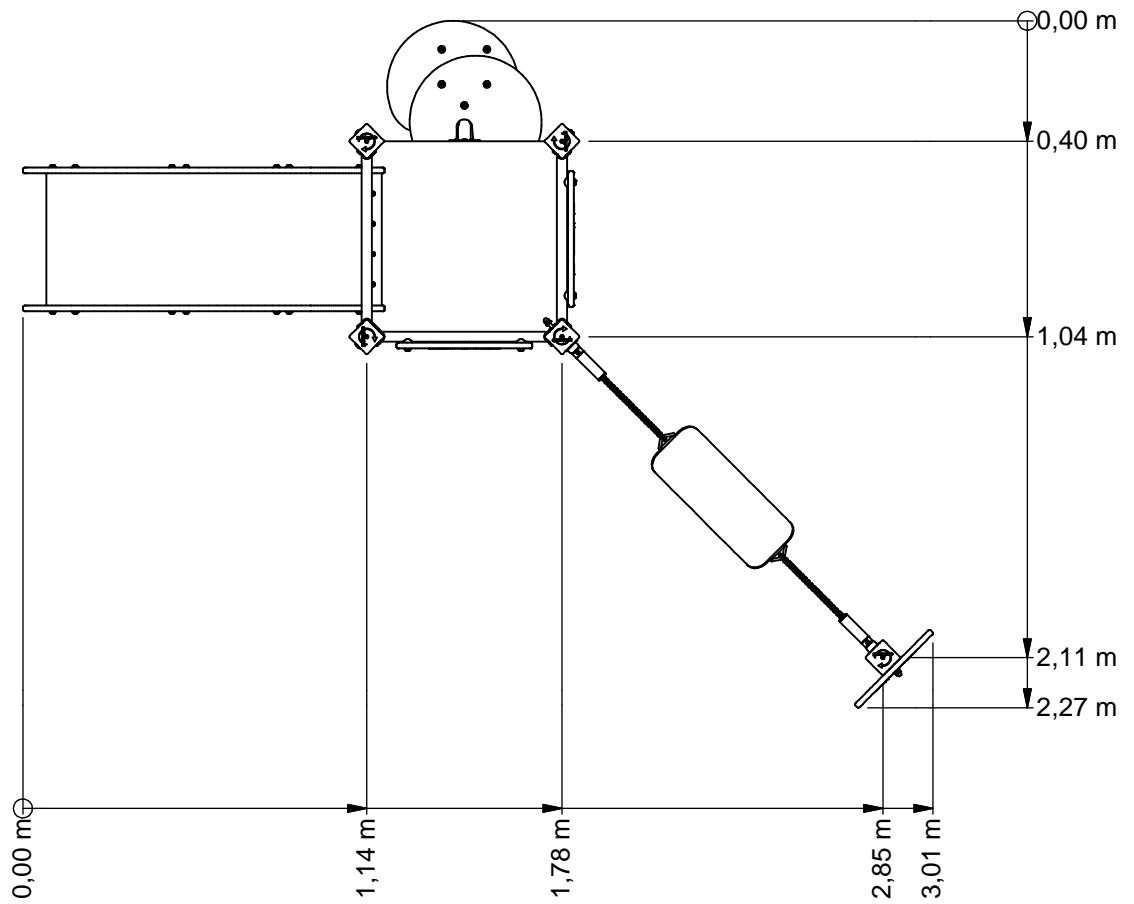


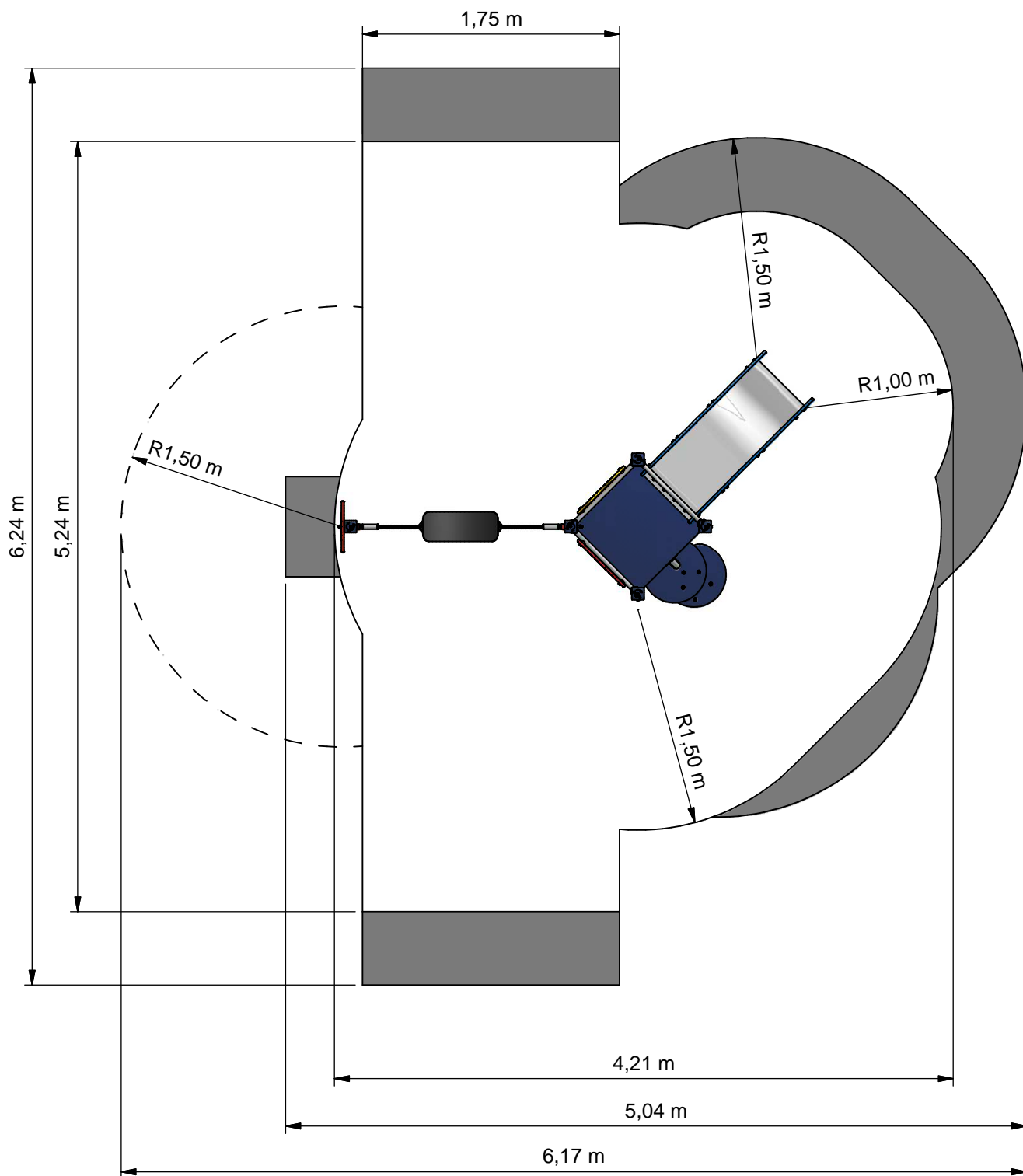


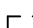




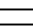
# Combination equipment

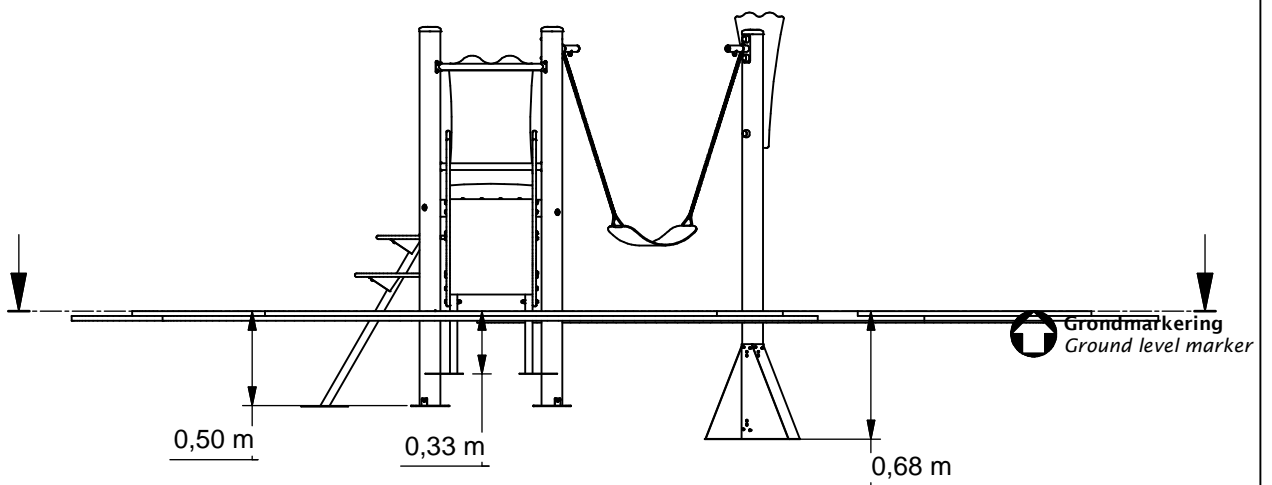
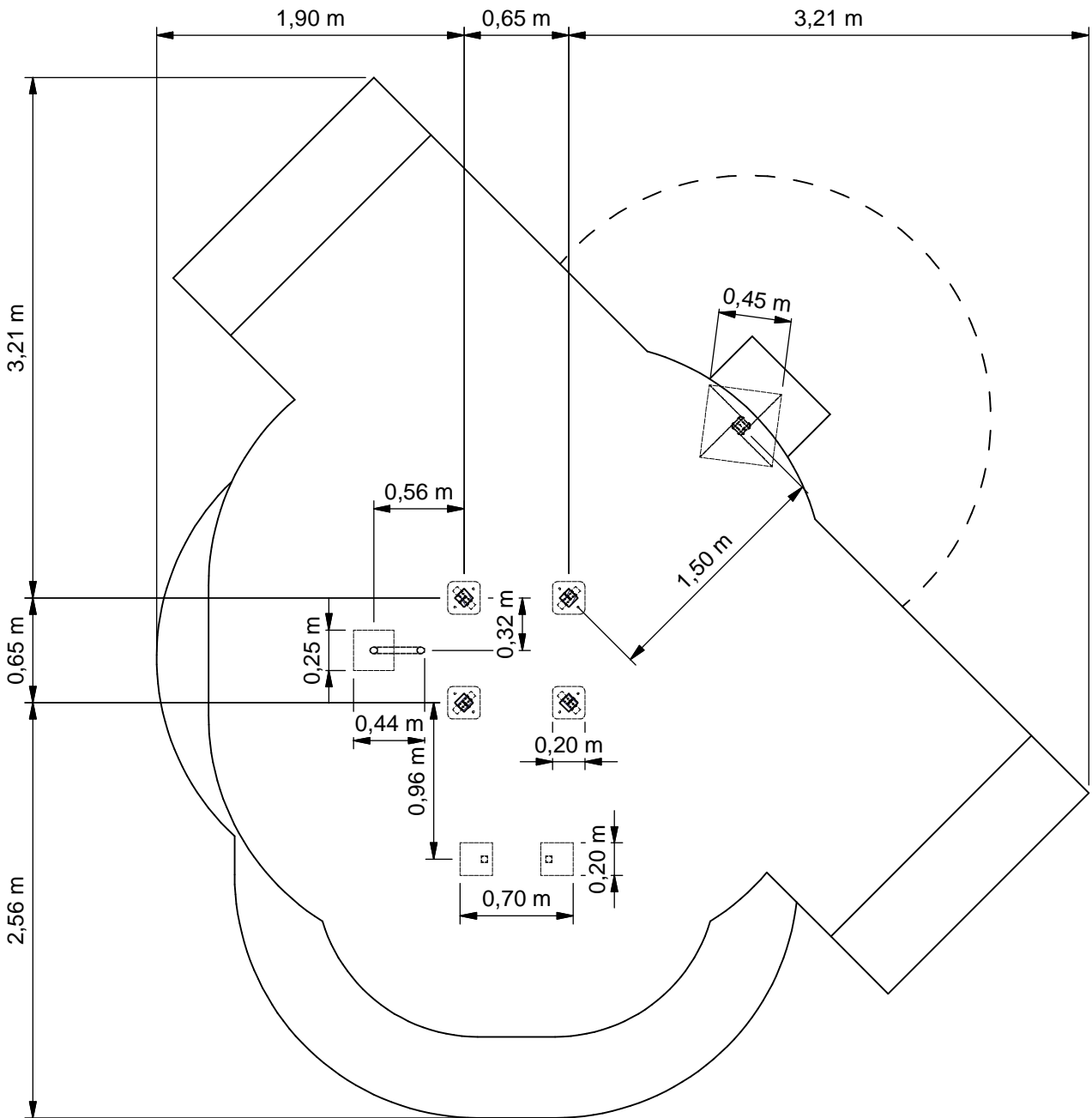


UKPE013.01H





-  **Obstakelvrij EN-1176**
-  *Obstacle free EN-1176*
-  **Opvangzone**
-  *Impact area*
-  **Obstakelvrij WAS**
-  *Obstacle free WAS*



Benaming  
Title Ukkepek

Opmerking  
Comment Hardhout

Datum  
Date 21-10-2014

Tekening  
Drawing

**TOE UKP 013 01H A**  
Bodemplan *Groundplan*

**Geleverde modules:**

Zie tabel

**Supplied modules:**

See table

**Montageinstructie:**

- De hoofdmaten geven de maten van de staanders en vloeren aan
- De detailtekeningen geven specifiek de maten van de verbindingen aan
- De modules met buizen zijn op de tekeningen bemaat op bovenkant kopplaat
- Overige modules zijn bemaat op de bovenkant (klimwanden, paalkappen, etc.)

**Assembly instruction:**

- The main dimensions indicate the dimensions of the posts and floors
- The detailed dimensions show the specific dimensions of the connections
- The modules which contain tubes are dimensioned at the top of the flanges
- Other modules are dimensioned at the top (climbing walls, caps for the posts, etc.)

**Montagevolgorde:**

- 1 - Graaf de gaten volgens het bodemplan
- 2 - Bouw en plaats een toren op uit 1,2,3
- 3 - Plaats 4, verbind deze aan toren
- 4 - Plaats 6, verbind deze aan toren
- 5 - Plaats 5, verbind deze aan toren
- 6 - Controleer of het toestel voldoet aan de afmetingen zoals op blad 'afmetingen'
- 7 - Dicht de gaten en verdicht het zand

**Assembly sequence:**

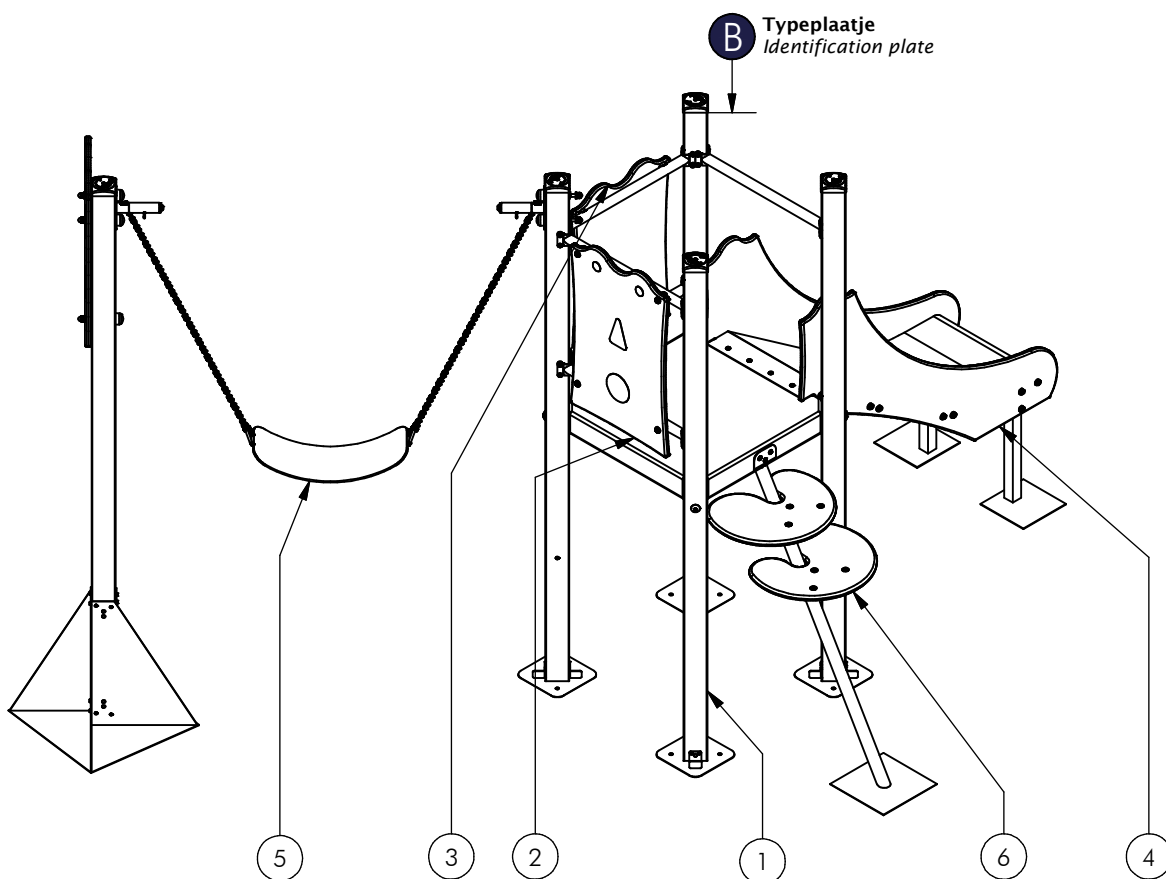
- 1 - Dig the holes according to the ground plan
- 2 - Assemble and Place tower out of 1,2,3
- 3 - Place 4, attach it to tower
- 4 - Place 6, attach it to tower
- 5 - Place 5, attach it to tower
- 6 - Check that the equipment conforms to the dimensions shown on sheet 'dimensions'
- 7 - Close the holes and compact the sand

**Controles:**

- 1 - Correcte opbouw en alle bevestigingsmiddelen
- 2 - Controleer de afmetingen van de valbodem t.o.v. het toestel

**Checks:**

- 1 - Correct assembly and all the fasteners
- 2 - Check the dimensions of the safety area with regard to the play equipment



Nr	#	Type	Progr.	Volgnr	Bew.	Rev.	Benaming	Opmerking
1	1	MOD	UKP	HHT	104		TOREN LAAG	UKKEPUK
2	1	MOD	UKP	HHT	110	A	WANDJE OH	UKKEPUK
3	1	MOD	UKP	HHT	111	A	WANDJE LACH	UKKEPUK
4	1	MOD	UKP	HHT	152	A	GLIJBAAN	UKKEPUK
5	1	MOD	UKP	HHT	156	A	Aanbouwschommel	Ukkepek
6	1	MOD	UKP	HHT	168		Boormtrap	Ukkepek



Benaming  
Title Ukkepek

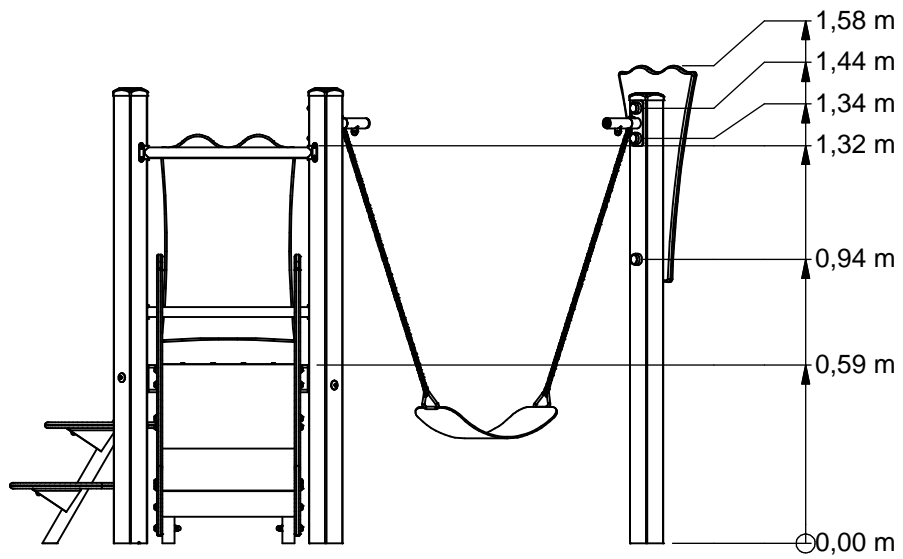
Opmerking  
Comment Hardhout

Datum  
Date 21-10-2014

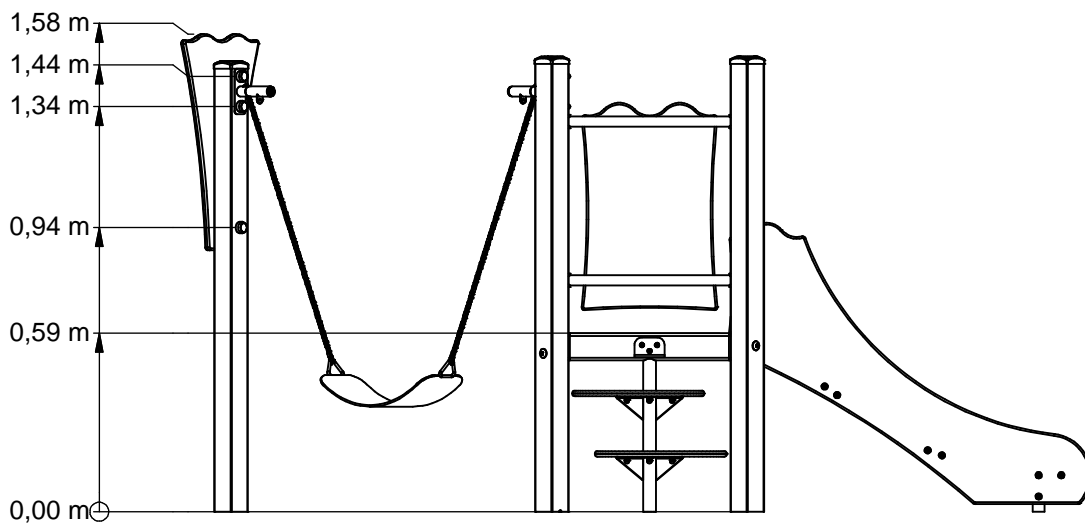
Tekening  
Drawing

TOE UKP 013 01H A

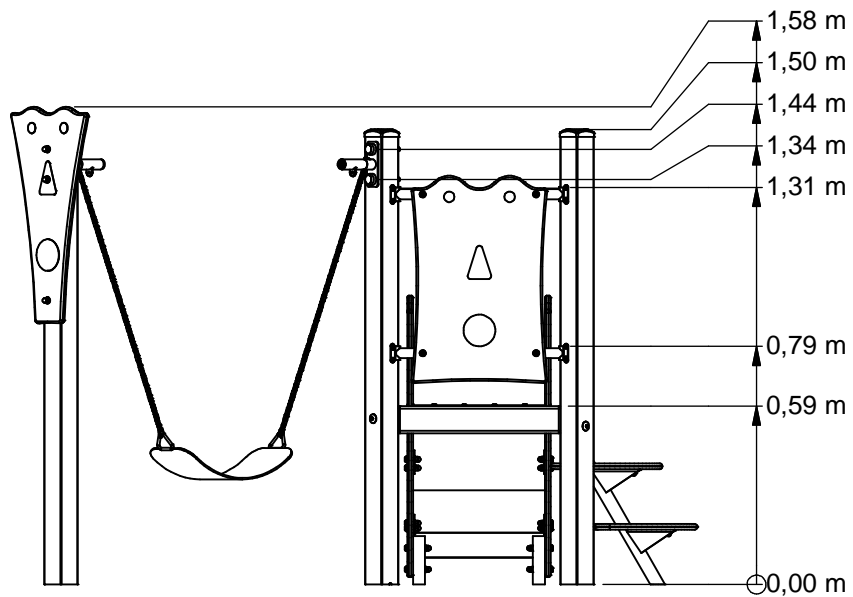
Modules Modules



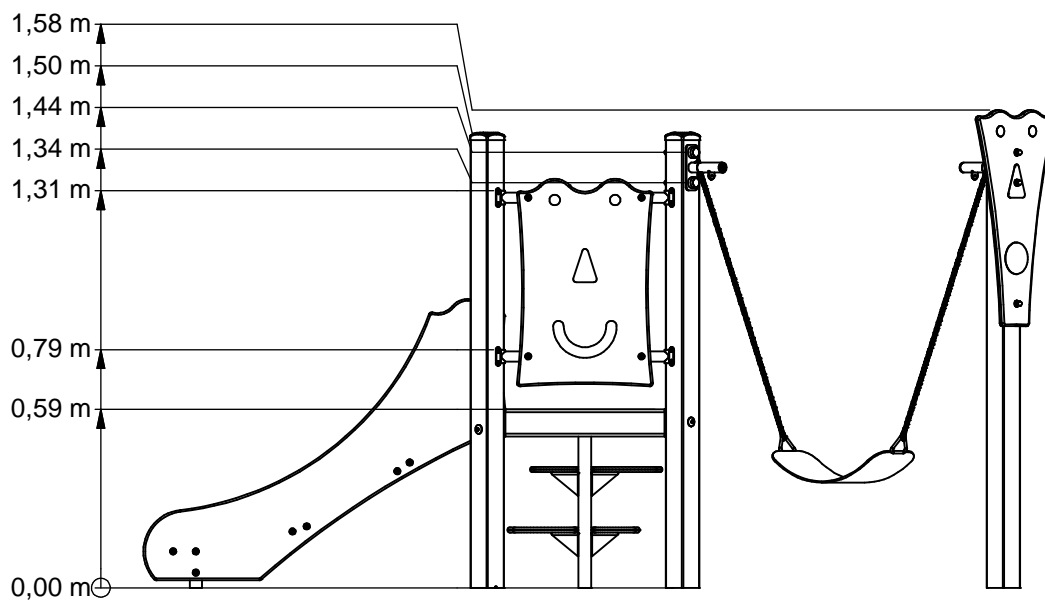
Voor  
(Front)



Links  
(Left)



Achter  
(Back)



Rechts  
(Right)

# UKPE013.01H

Combination equipment

## LOGBOOK

(Onderstaand logboek kan gebruikt worden om te voldoen aan de eisen, gesteld in artikel 14 van het Warenwetbesluit Attractie- en Speeltoestellen)

Type indication	Toddler Play
Product code	UKPE013.01H
Name of equipment	Ukkepuk Klimklautertoestel
Maximum height of fall	1,0 m
Year of construction	2017
Certificate	09200116218
inspection authority	Liftinstituut B.V. Buikslotermeerplein 381, A'dam - 1025 XE Amsterdam
Name manufacturer	BOERplay Hyacintstraat 2 - 4255 HX Nieuwendijk Phone: +31 (0)183 40 23 66 Fax: +31 (0)183 40 35 64
name installer	_____ _____
Description of equipment	Combination equipment
Location of equipment	_____
Data about the owner of the play equipment	
Name:	_____
Address:	_____
Postcode and town:	_____
Contact person:	_____
Telephone number:	_____
Data about the administrator of the play equipment	
Name:	_____
Address:	_____
Postcode and town:	_____
Contact person:	_____
Telephone number:	_____



# LOGBOOK

## Inspection and maintenance intervals



Nr.	Inspection	Maintenance	months between inspections
1	Verify equipment's stability, junctions and missing parts. Inspect bolts, screws and nuts for absence, jams, corrosion and wear.	Add missing parts, secure joints, apply missing fixing agent and replace corroded parts.	1
2	Check suspension for wear.	Replace worn parts and/or remove non-functioning parts.	1
3	Inspect rotating parts such as hinges, rolling-element bearings, etc. for wear and acceptability.	Replace worn parts and/or remove non-functioning parts.	1
4	Check wood for splinters, unacceptable damage and signs of rot. Especially at ground level.	Repair damage. Replace affected wood. Smoothen splintered wood and sharp edges.	1
5	Inspect foundation for stability, tearing and coverage.	Restore foundation and covering material.	3
6	Examine rubber and synthetic parts for wear, damage and break.	Replace original parts.	3
7	Inspect metal for corrosion and damage in the coating.	Restore any damaged coating (after removing rust and applying primer).	6
8	Check ropes, cables, chains and nets for wear and damage. Steel cables and nets which are tensioned must be checked for tension.	Replace parts where necessary. Steel cables and nets must be tensioned.	3
9	Inspect equipment for unsafe changes and additions.	Remove unsafe additions and correct unsafe changes.	1
10	Inspect safety surfaces.	Restore and repair where necessary.	1

## Remarks

1. If used intensively, all points require extra attention.
2. Extreme weather conditions and locations may require a higher inspection frequency. Discuss this with the supplier.
3. Vandalism-sensitive locations require stricter inspections, possibly daily.
4. Check the terrain regularly for items that do not belong there, are unsafe or may be used wrongly. Examples are poisonous plants, glass shards, etc. Frequency depends on strain.
5. Remember that bad maintenance leads to unsafe conditions and notably faster impoverishment of the playground area.
6. Replacement parts can be ordered at the manufacturer with the part numbers on the module drawing. Drawings can be found in de user guide.
7. The impact area shall be provided with impact attenuating surface according to the specified falling height.
8. This list is conform the CEN-standard "playground equipment and surfacing NEN-EN 1176-7".

# TYPE-EXAMINATION CERTIFICATE

Acting under the " Warenwetbesluit Attractie- en Speeltoestellen" issued by Liftinstituut B.V.  
commissioned by departmental order, no. VGP/PSL 2857566 from 27 Juni 2008.

Certificate nr. : NL 09-2001-162-18 Revision nr.: 200116218

Description of the product : Playground equipment, Ukkepek

Trademark, type : Speelwijzer, UKP.....

Name and address of the manufacturer : Speelwijzer  
Nijverheidsstraat 8  
5317 NL Nederhemert Noord

Name and address of the certificate holder : Speelwijzer  
Nijverheidsstraat 8  
5317 NL Nederhemert Noord

Certificate issued on the basis of the following requirements : Warenwetbesluit Attractie- en Speeltoestellen

Test laboratory : None

Date and number of the laboratory report : None

Date of type-examination : 01-09-2001 t/m 03-09-2001, 21-02-2009

Annexes with this certificate : Report belonging to the type-examination certificate nr.: NL 09-2001-162-18

Additional remarks : This certificate supersedes type certificate dated April 27<sup>th</sup> 2005, with certificate number NL 09-2001-162-18

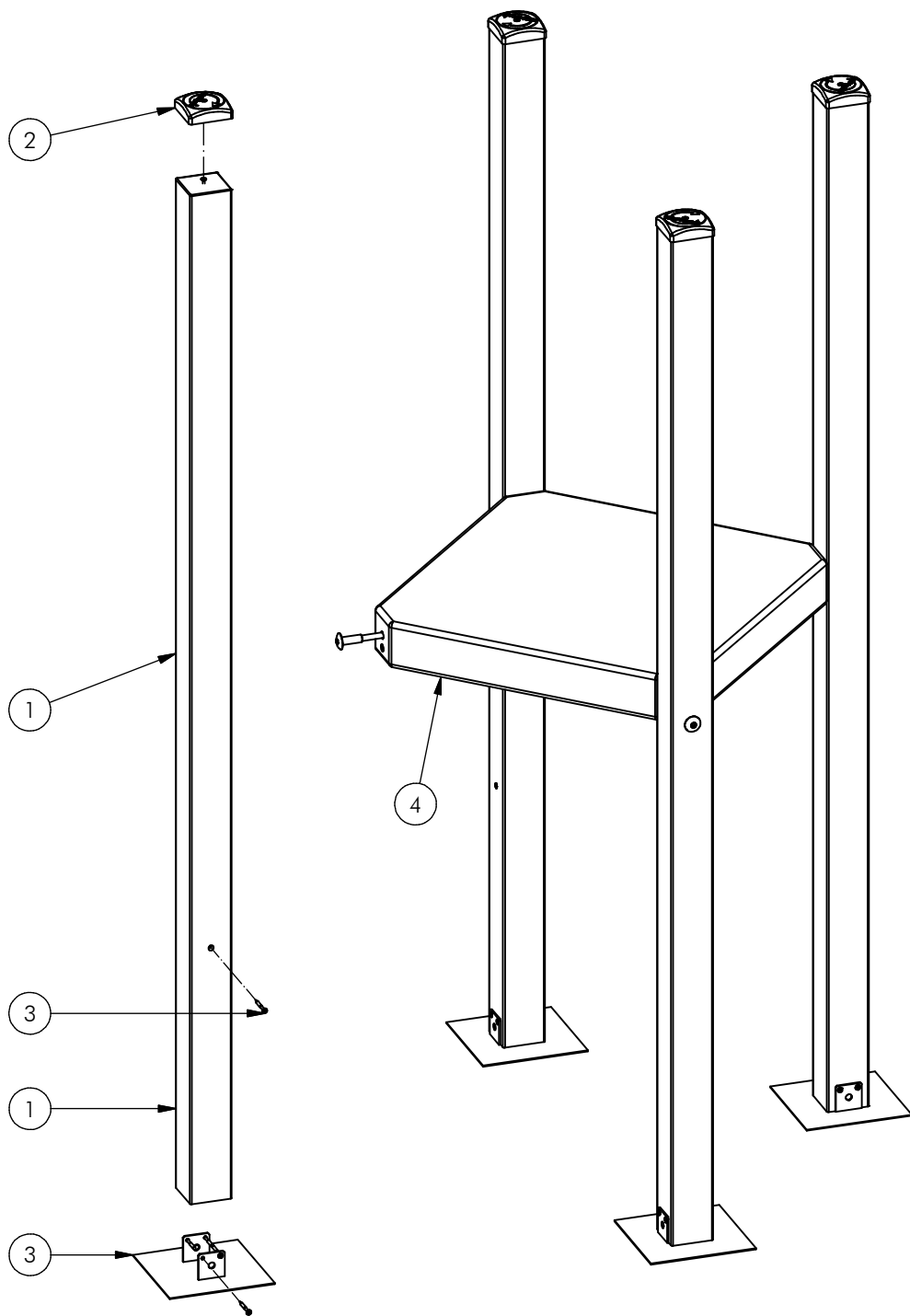
Conclusion : The playground equipment meets the requirements of the above specified European standard(s) and "Warenwetbesluit Attractie- en Speeltoestellen" taking into account any additional remarks mentioned above.

Issued in Amsterdam

Date of issue : April 7<sup>th</sup>, 2009



Ir. V.M.A. Barendregt  
Senior Officer Certification &  
Technology  
Liftinstituut B.V.



Nr	#	Type	Progr.	Volgnr	Bew.	Rev.	Benaming	Opmerking
1	4	OHO	080	012	HHT		Staander HHT	80x80, lengte=1990
2	4	SMD	UKP	HHT	104		PAALKAP	UKKEPUK
3	4	SMD	UKP	HHT	103		ANKER PLAAT	UKKEPUK
4	1	SMD	UKP	HHT	100		VLOER VIERKANT	UKKEPUK



Benaming  
Title TOREN LAAG

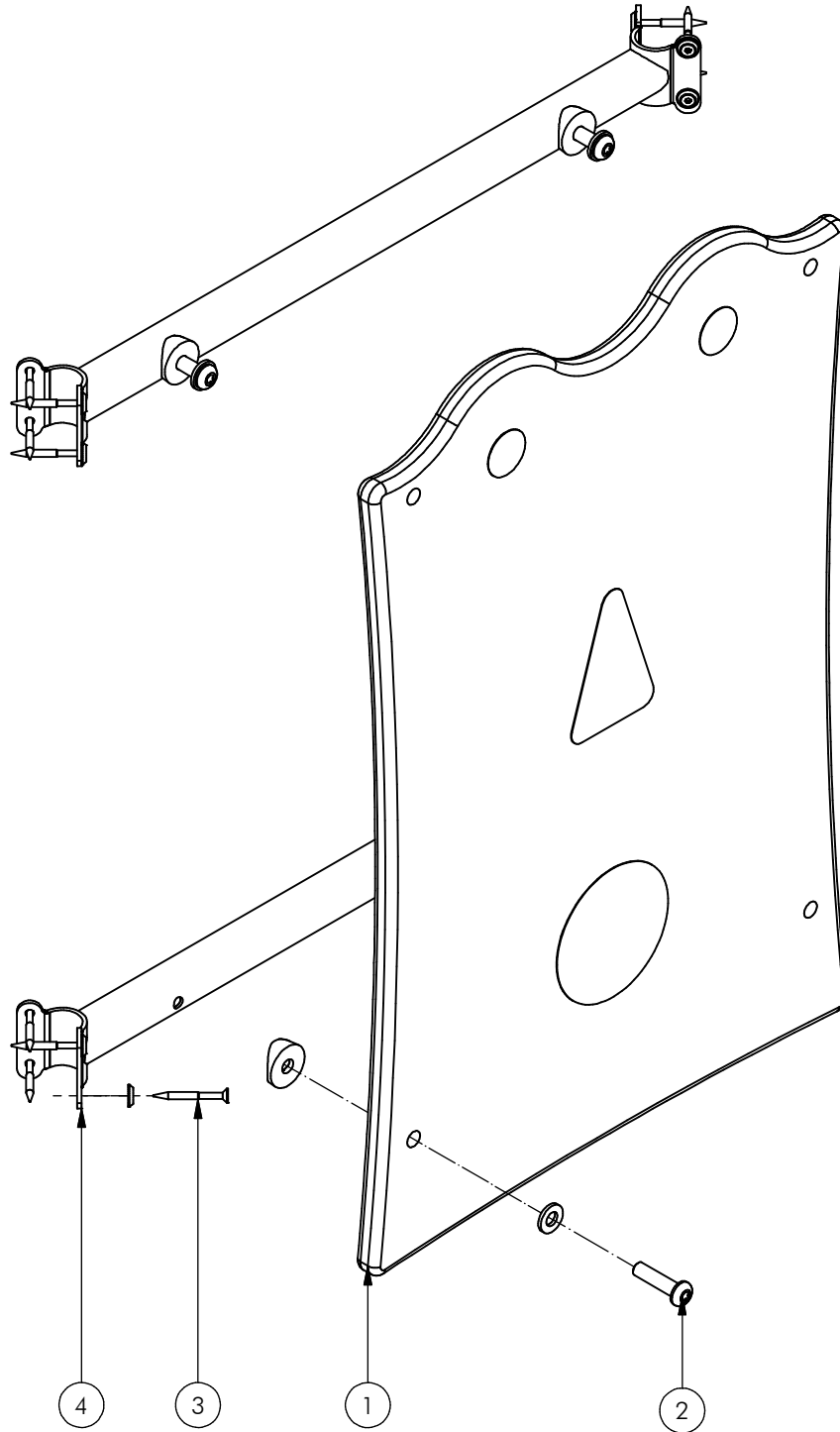
Opmerking  
Comment UKKEPUK

Datum  
Date 16-1-2007

Tekening  
Drawing

# MOD UKP HHT 104

Samenstelling module Assembly module



4	2	SME	UKP	501	320	A	SYSTEEMBUIS	UKKEPUK
3	4	SMD	UKP	HHT	105		BEVESTIGING VLINDER	UKKEPUK HHT
2	4	SMD	UKP	ALG	106		WAND BEVESTIGING	UKKEPUK
1	1	OPE	UKP	002	030	D	WAND OH	UKKEPUK
POS	N	TYPE	PROJ.	NR.	BEH.	R	BENAMING	OPMERKING



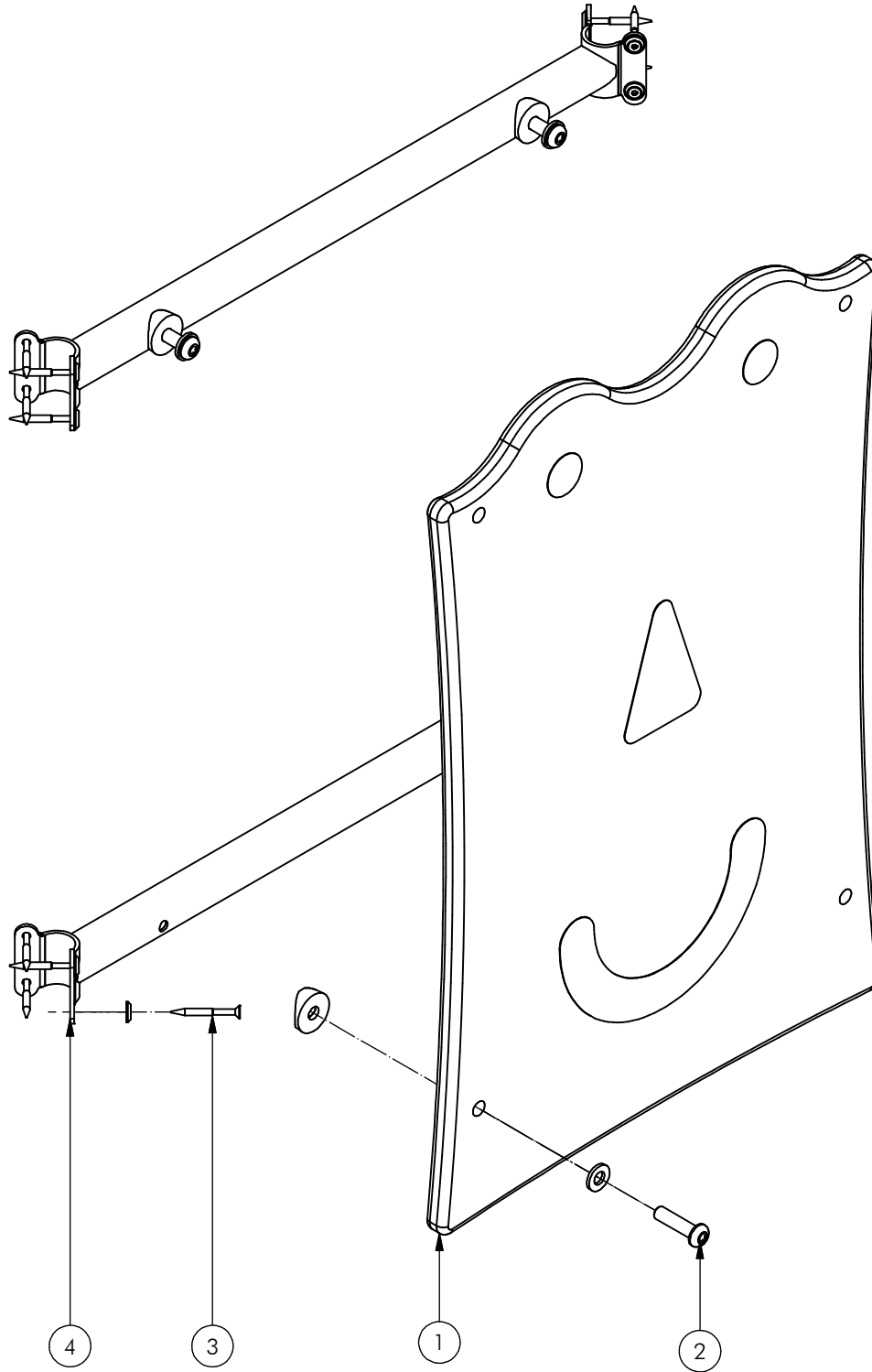
Benaming  
Title WANDJE OH

Opmerking  
Comment UKKEPUK

Datum  
Date 9-12-2013

Tekening  
Drawing

**MOD UKP HHT 110 A**  
 Samenstelling module *Assembly module*



4	2	SME	UKP	501	320	A	SYSTEEMBUIS	UKKEPUK
3	4	SMD	UKP	HHT	105		BEVESTIGING VLINDER	UKKEPUK HHT
2	4	SMD	UKP	ALG	106		WAND BEVESTIGING	UKKEPUK
1	1	OPE	UKP	003	010	D	WAND LACH	UKKEPUK
POS	N	TYPE	PROJ.	NR.	BEH.	R	BENAMING	OPMERKING



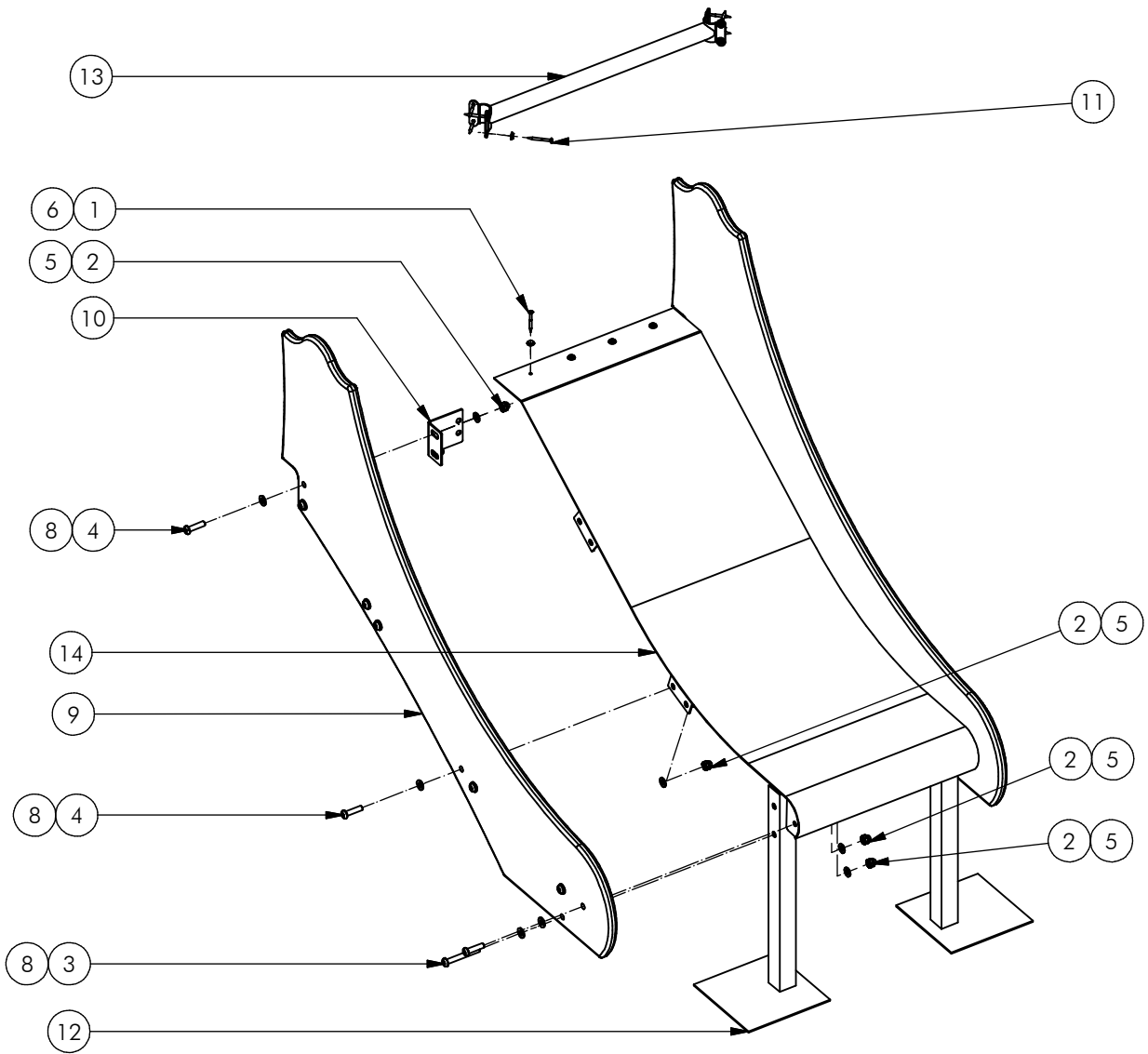
Benaming  
Title WANDJE LACH

Opmerking  
Comment UKKEPUK

Datum  
Date 9-12-2013

Tekening  
Drawing

**MOD UKP HHT 111 A**  
 Samenstelling module *Assembly module*



14	1	SME	UKP	550	320	B	Glijbaan	Ukkepuk
13	1	SME	UKP	500	320	A	SYSTEEMBUIS	UKKEPUK
12	2	SME	UKP	024	372	A	Steunpoot Glijbaan	Ukkepuk
11	2	SMD	UKP	HHT	105		BEVESTIGING VLINDER	UKKEPUK HHT
10	2	OME	UKP	577	304		Bevestigingshoek	Glijbaan Ukkepuk
9	2	OPE	UKP	030	050	B	Zijkant Glijbaan	Ukkepuk
8	18	KST	ROR	010	000		RING NYLON	M10 x 2.5 MM
7	18	KST	DOP	006	030		OPVULDOPJE	6 MM ROOD
6	4	BSR	036	005	015		Facet ring	M5 - RVS A2-70
5	18	BSR	030	010	002		SLUITRING	M10
4	14	BSR	023	010	040		Bolkopbout ISO 7380	M10 x 40 - RVS A2-70
3	4	BSR	023	010	080		Bolkopbout ISO 7380	M10 x 80 - RVS A2-70
2	18	BSR	011	010	020		DOPMOER	BORG RVS M10
1	4	BSR	002	005	050		SCHROEF	5 x 50
POS	N	TYPE	PROJ.	NR.	BEH.	R	BENAMING	OPMERKING



Benaming  
Title

Opmerking  
Comment

Datum  
Date

GLIJBAAN

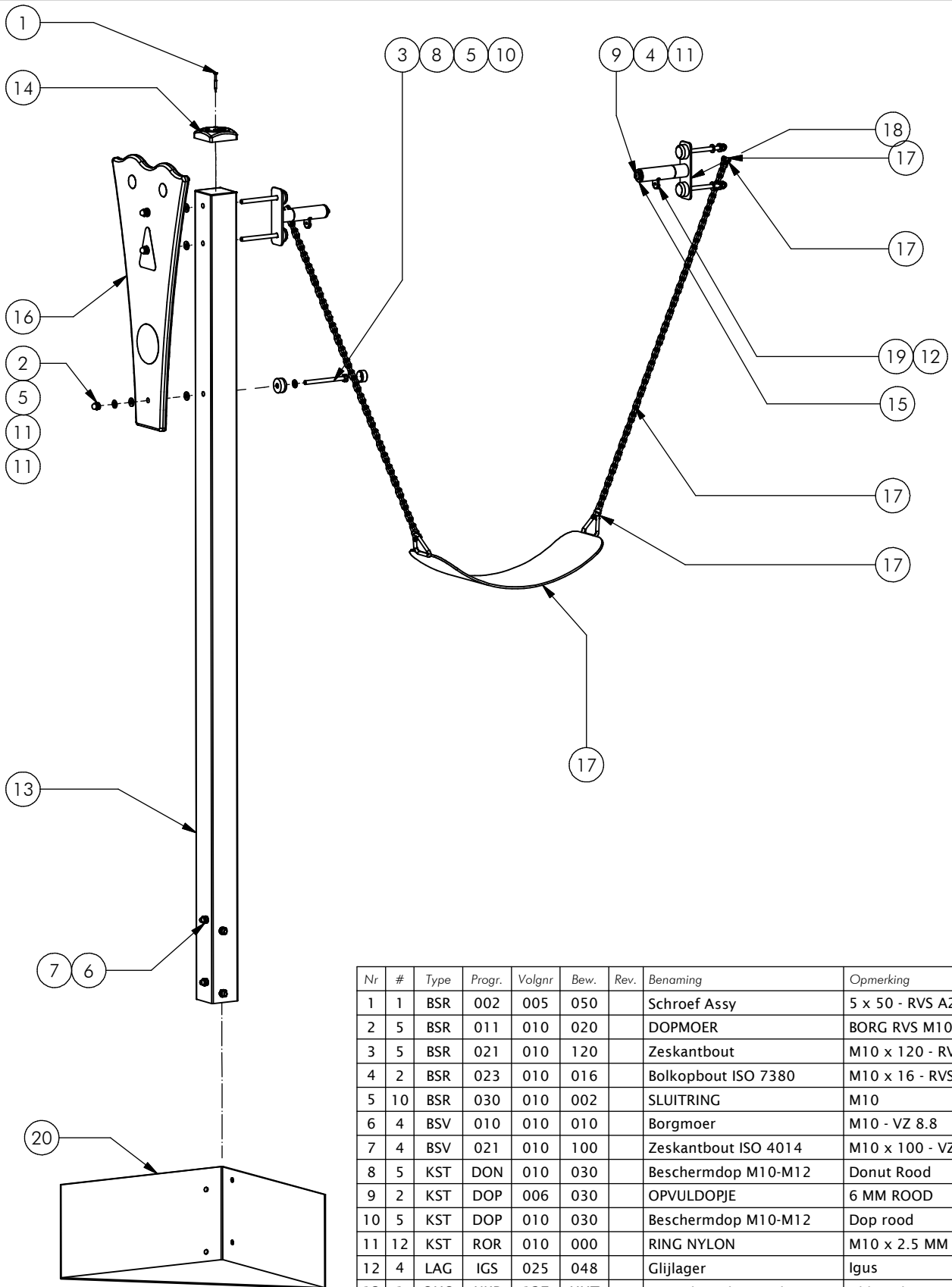
UKKEPUK

6-12-2013

Tekening  
Drawing

**MOD UKP HHT 152 A**

Samenstelling module *Assembly module*



Nr	#	Type	Progr.	Volgnr	Bew.	Rev.	Benaming	Opmerking
1	1	BSR	002	005	050		Schroef Assy	5 x 50 - RVS A2-70
2	5	BSR	011	010	020		DOPMOER	BORG RVS M10
3	5	BSR	021	010	120		Zeskantbout	M10 x 120 - RVS A2-70
4	2	BSR	023	010	016		Bolkopbout ISO 7380	M10 x 16 - RVS A2-70
5	10	BSR	030	010	002		SLUITRING	M10
6	4	BSV	010	010	010		Borgmoer	M10 - VZ 8.8
7	4	BSV	021	010	100		Zeskantbout ISO 4014	M10 x 100 - VZ 8.8
8	5	KST	DON	010	030		Beschermkop M10-M12	Donut rood
9	2	KST	DOP	006	030		OPVULDOPJE	6 MM ROOD
10	5	KST	DOP	010	030		Beschermkop M10-M12	Dop rood
11	12	KST	ROR	010	000		RING NYLON	M10 x 2.5 MM
12	4	LAG	IGS	025	048		Glijlager	Igus
13	1	OHO	UKP	127	HHT		Staander schommel	Ukkepuk
14	1	OME	KAP	080	ZMK		PAALKAP 80	Zamak, Ral 5003
15	2	OME	UKP	561	320		Eindplaat schommel	Ukkepuk
16	1	OPE	UKP	032	030	B	Schommelkop Oh	Ukkepuk
17	1	SMD	UKP	001	001	B	Schommelzitze	Ukkepuk
18	2	SME	UKP	558	320	B	Schommel	Ukkepuk
19	2	SME	UKP	559	320	B	Loopdeel scharnier	Ukkepuk
20	1	SME	VRB	616	372		Grondanker	Extra zwaar



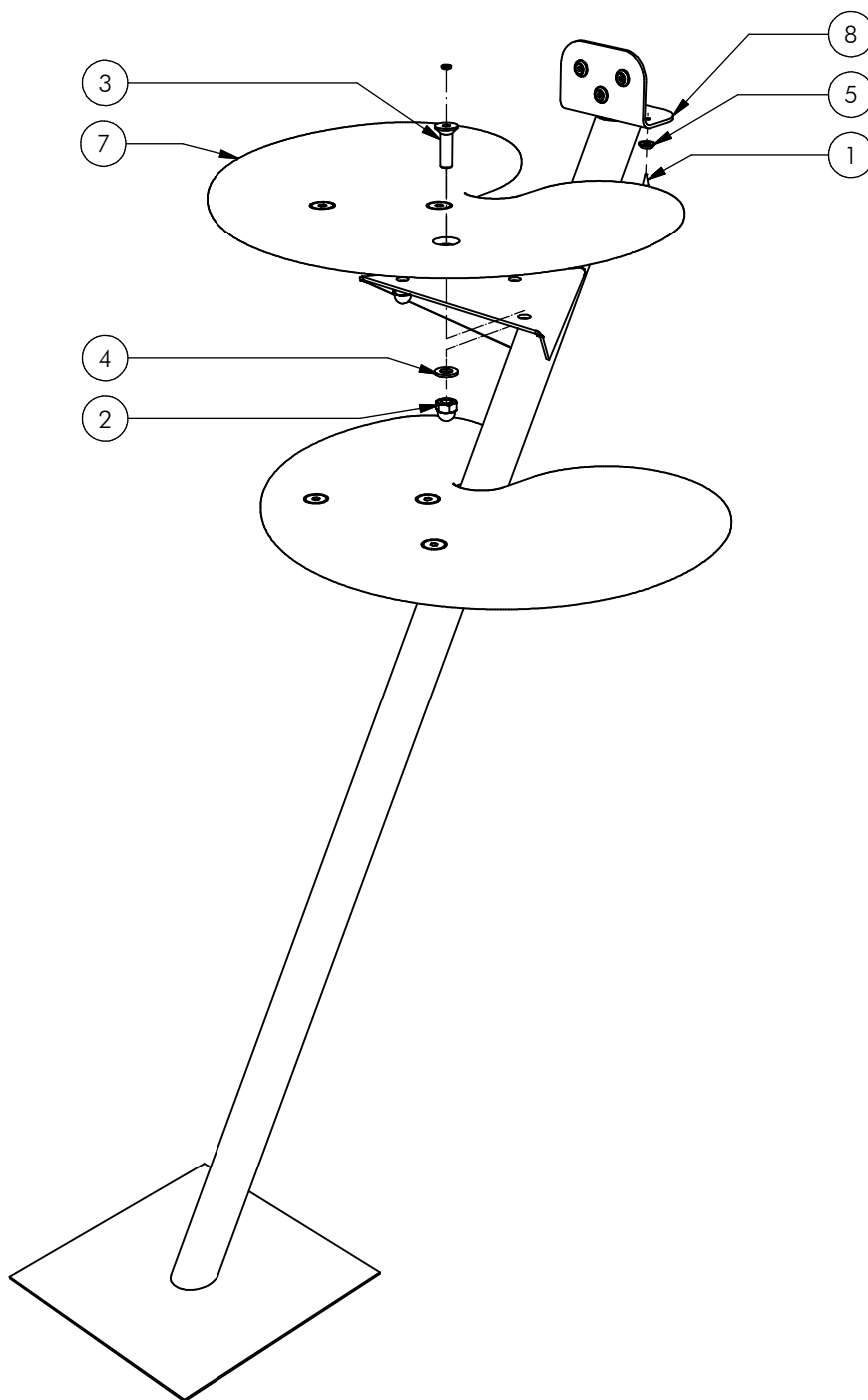
Benaming  
Title Aanbouwschommel

Opmerking  
Comment Ukkepuk

Datum  
Date 14-10-2016

Tekening  
Drawing

**MOD UKP HHT 156 A**  
Samenstelling module Assembly module



Nr	#	Type	Progr.	Volgnr	Bew.	Rev.	Benaming	Opmerking
1	5	BSR	002	005	030		Schroef Assy	5 x 30 - RVS A2-70
2	6	BSR	011	010	020		DOPMOER	BORG RVS M10
3	6	BSR	024	010	035		Verzonken bout	M10 x 35 - RVS A2-70
4	6	BSR	030	010	002		SLUITRING	M10
5	5	BSR	036	005	015		Facet ring	M5 - RVS A2-70
6	6	KST	DOP	006	030		OPVULDOPJE	6 MM ROOD
7	2	OHO	UKP	128	COA	D	Platform	Boomtrap
8	1	SME	UKP	577	320	C	Trapboom	Ukkepuk