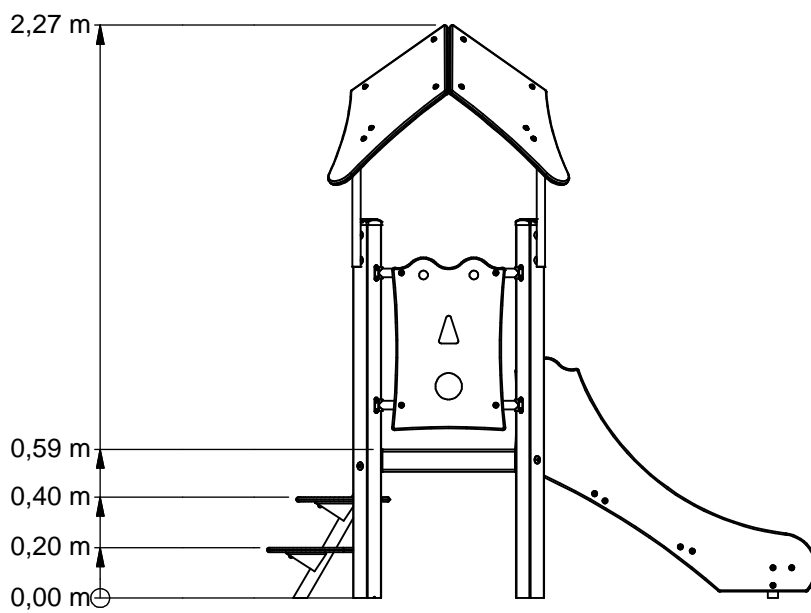
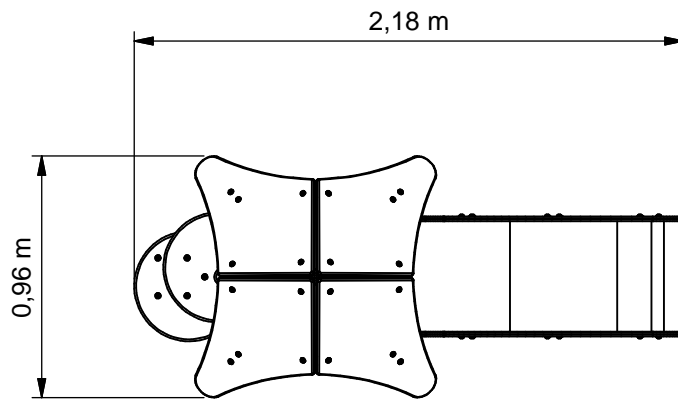




# Combination equipment



UKPE012.03H

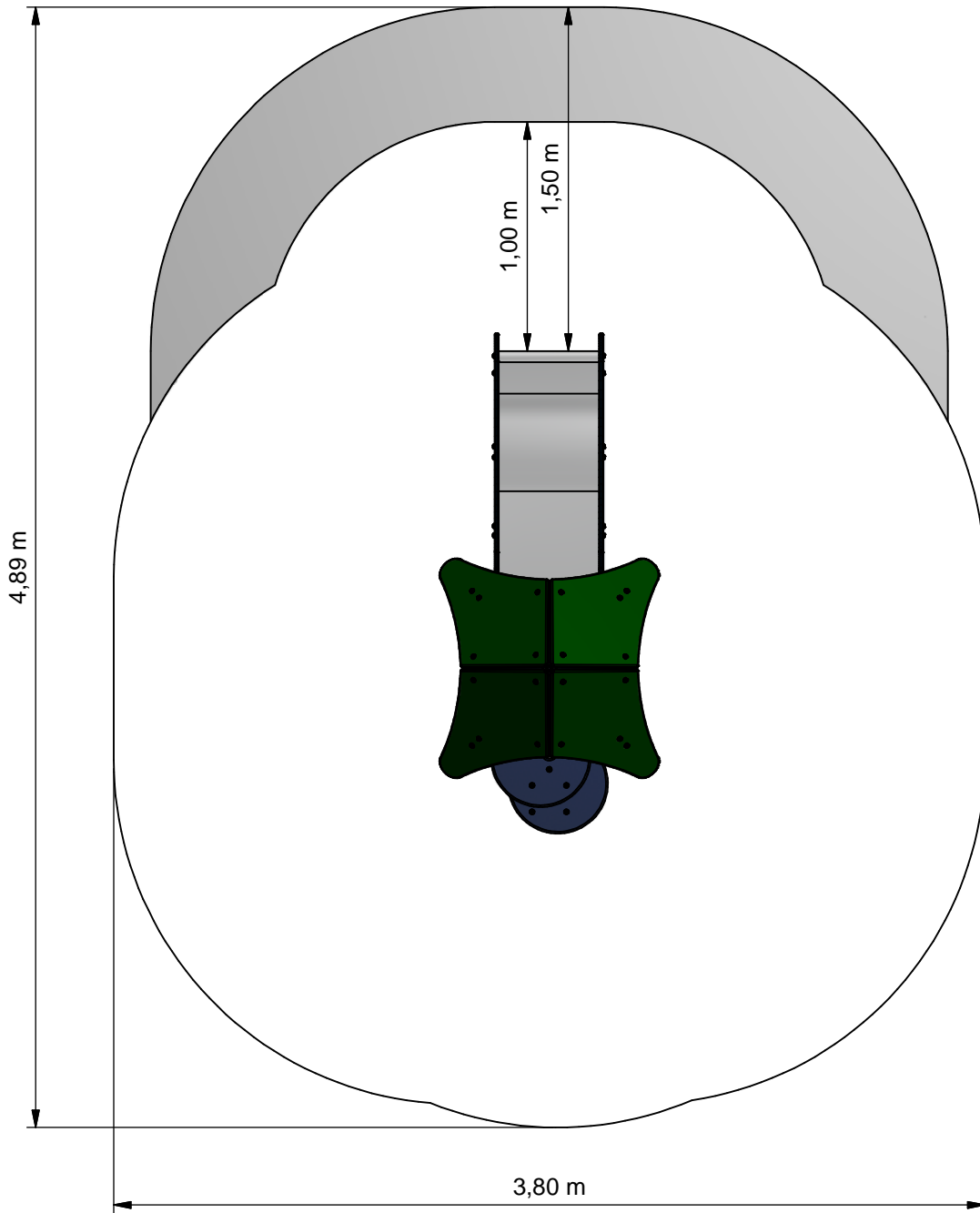


Benaming / Title: Ukkepuk  
 Opmerking / Comment: Hardhout  
 Datum / Date: 14-3-2014

Tekening / Drawing

**TOE UKP 012 03H A**

Afmetingen / Dimensions



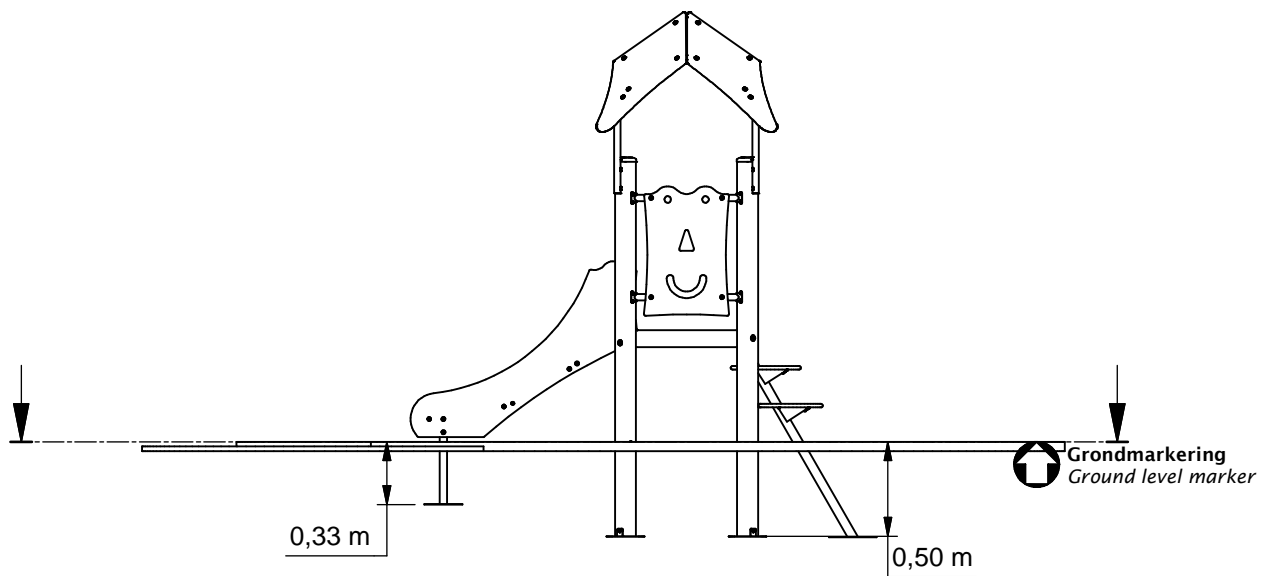
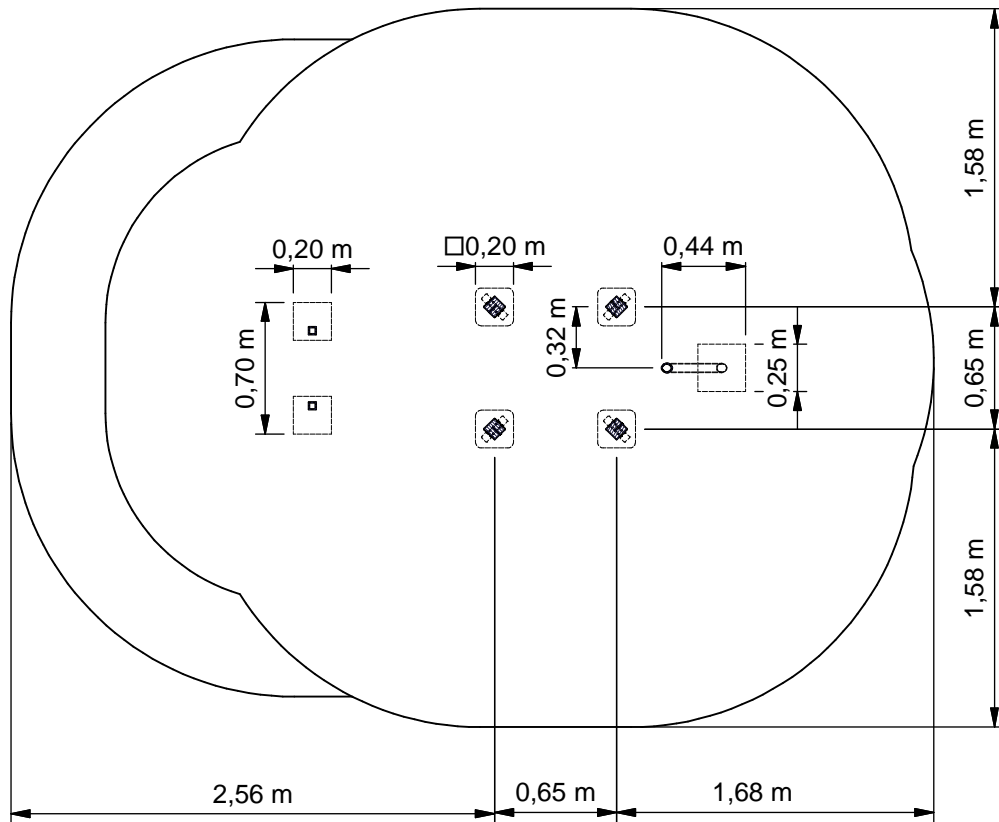
- Opvangzone  
Impact area
- Obstakelvrije zone  
Obstacle free zone



Benaming / Title: Ukkepuk  
 Opmerking / Comment: Hardhout  
 Datum / Date: 14-3-2014

Tekening / Drawing

**TOE UKP 012 03H A**  
 Obstakelvrije zone *Obstacle free zone*



Benaming / Title: Ukkepek  
 Opmerking / Comment: Hardhout  
 Datum / Date: 14-3-2014

Tekening / Drawing

**TOE UKP 012 03H A**  
 Bodemplan *Groundplan*

**Geleverde modules:**

Zie tabel

**Supplied modules:**

See table

**Montageinstructie:**

- De hoofdmaten geven de maten van de staanders en vloeren aan
- De detailtekeningen geven specifiek de maten van de verbindingen aan
- De modules met buizen zijn op de tekeningen bemaat op bovenkant kopplaat
- Overige modules zijn bemaat op de bovenkant (klimwanden, paalkoppen, etc.)

**Assembly instruction:**

- The main dimensions indicate the dimensions of the posts and floors
- The detailed dimensions show the specific dimensions of the connections
- The modules which contain tubes are dimensioned at the top of the flanges
- Other modules are dimensioned at the top (climbing walls, caps for the posts, etc.)

**Montagevolgorde:**

- 1 - Graaf de gaten volgens het bodemplan
- 2 - Assembleer toren met 1,2,3,4
- 3 - Plaats toren
- 4 - Plaats 5 en verbind deze aan toren
- 5 - Plaats 6 en verbind deze aan toren
- 6 - Controleer of het toestel voldoet aan de afmetingen zoals op blad 'afmetingen'
- 7 - Dicht de gaten en verdicht het zand

**Assembly sequence:**

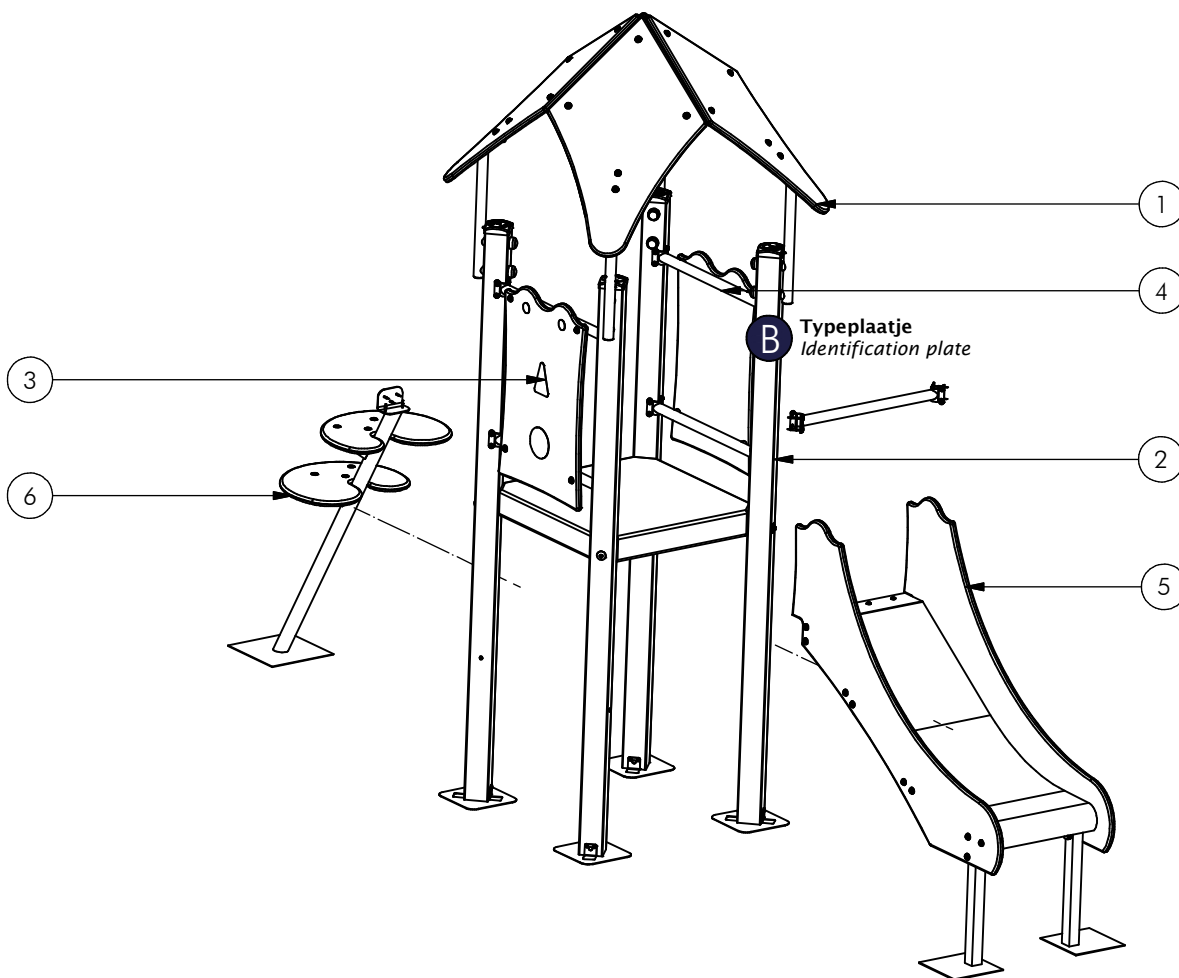
- 1 - Dig the holes according to the ground plan
- 2 - Assemble tower with 1,2,3,4
- 3 - Place tower
- 4 - Place 5 and attach it to tower
- 5 - Place 6 and attach it to tower
- 6 - Check that the equipment conforms to the dimensions shown on sheet 'dimensions'
- 7 - Close the holes and compact the sand

**Controles:**

- 1 - Correcte opbouw en alle bevestigingsmiddelen
- 2 - Controleer de afmetingen van de valbodem t.o.v. het toestel

**Checks:**

- 1 - Correct assembly and all the fasteners
- 2 - Check the dimensions of the safety area with regard to the play equipment



Nr	#	Type	Progr.	Volgnr	Bew.	Rev.	Benaming	Opmerking
1	1	MOD	UKP	HHT	103	A	DAK	UKKEPUK
2	1	MOD	UKP	HHT	104		TOREN LAAG	UKKEPUK
3	1	MOD	UKP	HHT	110	A	WANDJE OH	UKKEPUK
4	1	MOD	UKP	HHT	111	A	WANDJE LACH	UKKEPUK
5	1	MOD	UKP	HHT	152	A	GLIJBAAN	UKKEPUK
6	1	MOD	UKP	HHT	168		Boormtrap	Ukkepek

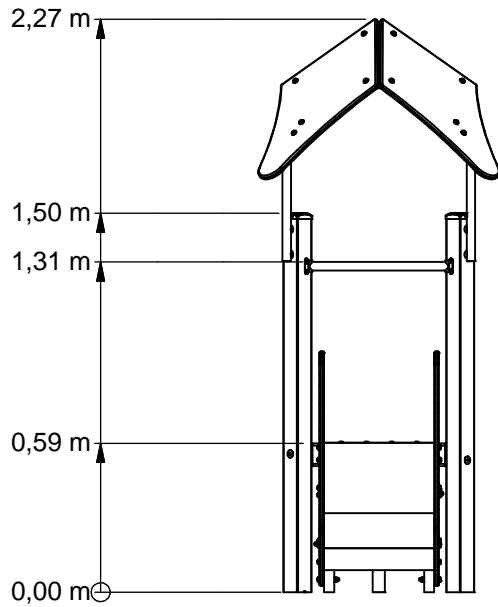


Benaming / Title: Ukkepek  
 Opmerking / Comment: Hardhout  
 Datum / Date: 14-3-2014

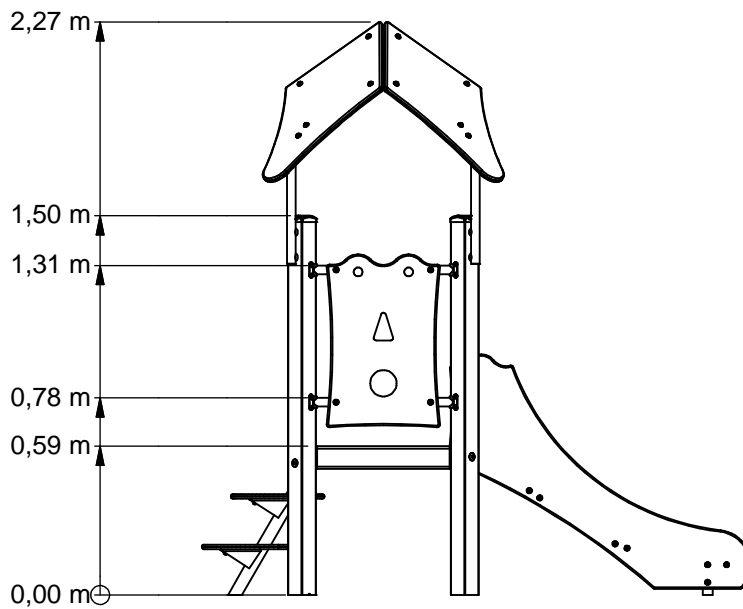
Tekening / Drawing

TOE UKP 012 03H A

Modules Modules



Voor  
(Front)



Rechts  
(Right)



Benaming Title	Ukkepuk
Opmerking Comment	Hardhout
Datum Date	14-3-2014

Tekening  
Drawing

TOE UKP 012 03H A

Afmetingen Dimensions

# UKPE012.03H

Combination equipment

## LOGBOOK

(Onderstaand logboek kan gebruikt worden om te voldoen aan de eisen, gesteld in artikel 14 van het Warenwetbesluit Attractie- en Speeltoestellen)

Type indication	Toddler Play
Product code	UKPE012.03H
Name of equipment	Ukkepuk Klimklautertoestel
Maximum height of fall	0,6 m
Year of construction	2017
Certificate	09200116218
inspection authority	Liftinstituut B.V. Buikslotermeerplein 381, A'dam - 1025 XE Amsterdam
Name manufacturer	BOERplay Hyacintstraat 2 - 4255 HX Nieuwendijk Phone: +31 (0)183 40 23 66 Fax: +31 (0)183 40 35 64
name installer	_____ _____
Description of equipment	Combination equipment
Location of equipment	_____
Data about the owner of the play equipment	
Name:	_____
Address:	_____
Postcode and town:	_____
Contact person:	_____
Telephone number:	_____
Data about the administrator of the play equipment	
Name:	_____
Address:	_____
Postcode and town:	_____
Contact person:	_____
Telephone number:	_____

# LOGBOOK

## Inspection and maintenance intervals



Nr.	Inspection	Maintenance	months between inspections
1	Verify equipment's stability, junctions and missing parts. Inspect bolts, screws and nuts for absence, jams, corrosion and wear.	Add missing parts, secure joints, apply missing fixing agent and replace corroded parts.	1
2	Check suspension for wear.	Replace worn parts and/or remove non-functioning parts.	1
3	Inspect rotating parts such as hinges, rolling-element bearings, etc. for wear and acceptability.	Replace worn parts and/or remove non-functioning parts.	1
4	Check wood for splinters, unacceptable damage and signs of rot. Especially at ground level.	Repair damage. Replace affected wood. Smoothen splintered wood and sharp edges.	1
5	Inspect foundation for stability, tearing and coverage.	Restore foundation and covering material.	3
6	Examine rubber and synthetic parts for wear, damage and break.	Replace original parts.	3
7	Inspect metal for corrosion and damage in the coating.	Restore any damaged coating (after removing rust and applying primer).	6
8	Check ropes, cables, chains and nets for wear and damage. Steel cables and nets which are tensioned must be checked for tension.	Replace parts where necessary. Steel cables and nets must be tensioned.	3
9	Inspect equipment for unsafe changes and additions.	Remove unsafe additions and correct unsafe changes.	1
10	Inspect safety surfaces.	Restore and repair where necessary.	1

## Remarks

1. If used intensively, all points require extra attention.
2. Extreme weather conditions and locations may require a higher inspection frequency. Discuss this with the supplier.
3. Vandalism-sensitive locations require stricter inspections, possibly daily.
4. Check the terrain regularly for items that do not belong there, are unsafe or may be used wrongly. Examples are poisonous plants, glass shards, etc. Frequency depends on strain.
5. Remember that bad maintenance leads to unsafe conditions and notably faster impoverishment of the playground area.
6. Replacement parts can be ordered at the manufacturer with the part numbers on the module drawing. Drawings can be found in de user guide.
7. The impact area shall be provided with impact attenuating surface according to the specified falling height.
8. This list is conform the CEN-standard "playground equipment and surfacing NEN-EN 1176-7".



# TYPE-EXAMINATION CERTIFICATE

Acting under the " Warenwetbesluit Attractie- en Speeltoestellen" issued by Liftinstituut B.V.  
commissioned by departmental order, no. VGP/PSL 2857566 from 27 Juni 2008.

Certificate nr. : NL 09-2001-162-18 Revision nr.: 200116218

Description of the product : Playground equipment, Ukkepek

Trademark, type : Speelwijzer, UKP.....

Name and address of the manufacturer : Speelwijzer  
Nijverheidsstraat 8  
5317 NL Nederhemert Noord

Name and address of the certificate holder : Speelwijzer  
Nijverheidsstraat 8  
5317 NL Nederhemert Noord

Certificate issued on the basis of the following requirements : Warenwetbesluit Attractie- en Speeltoestellen

Test laboratory : None

Date and number of the laboratory report : None

Date of type-examination : 01-09-2001 t/m 03-09-2001, 21-02-2009

Annexes with this certificate : Report belonging to the type-examination certificate nr.: NL 09-2001-162-18

Additional remarks : This certificate supersedes type certificate dated April 27<sup>th</sup> 2005, with certificate number NL 09-2001-162-18

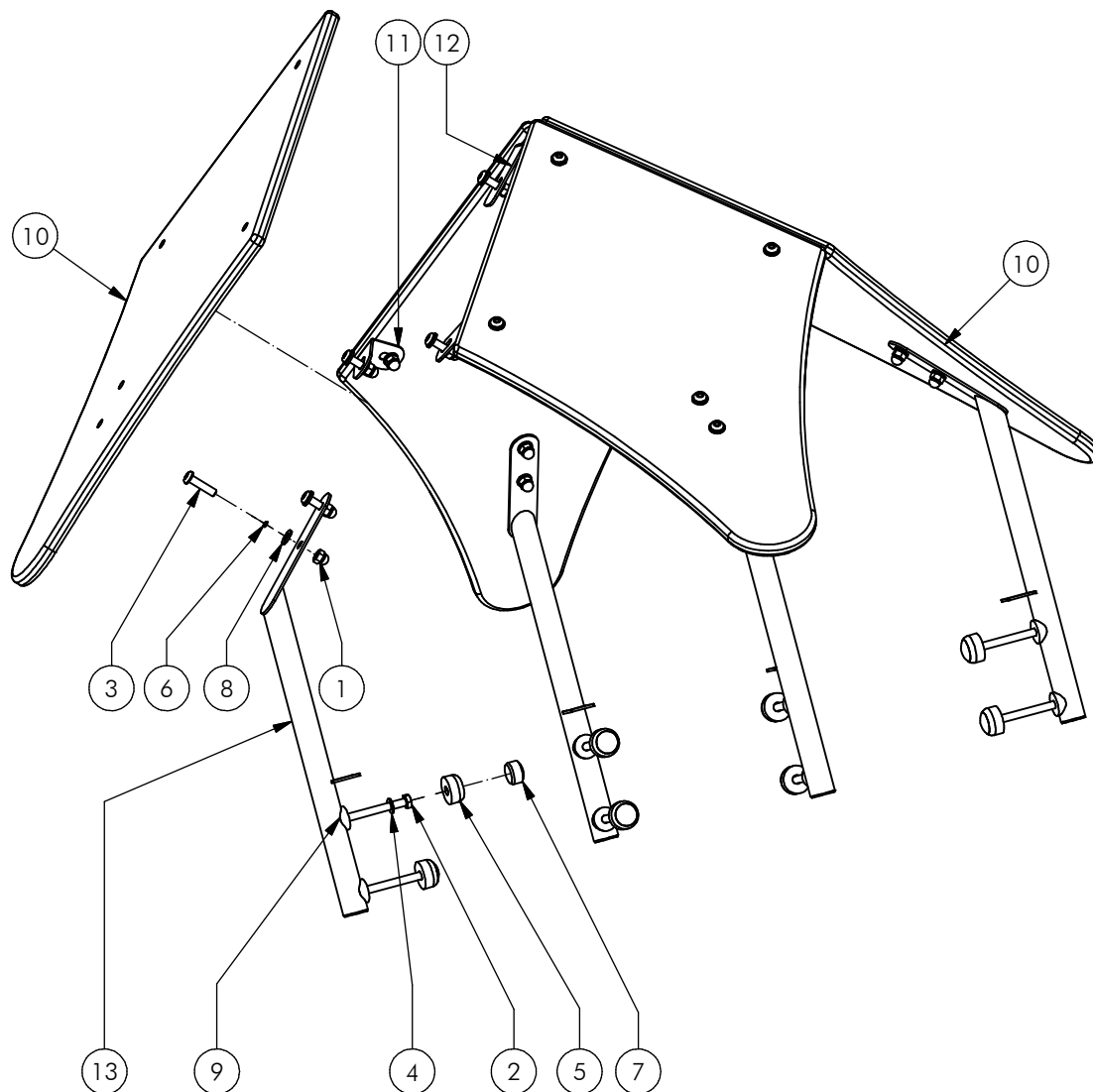
Conclusion : The playground equipment meets the requirements of the above specified European standard(s) and "Warenwetbesluit Attractie- en Speeltoestellen" taking into account any additional remarks mentioned above.

Issued in Amsterdam

Date of issue : April 7<sup>th</sup>, 2009



Ir. V.M.A. Barendregt  
Senior Officer Certification &  
Technology  
Liftinstituut B.V.



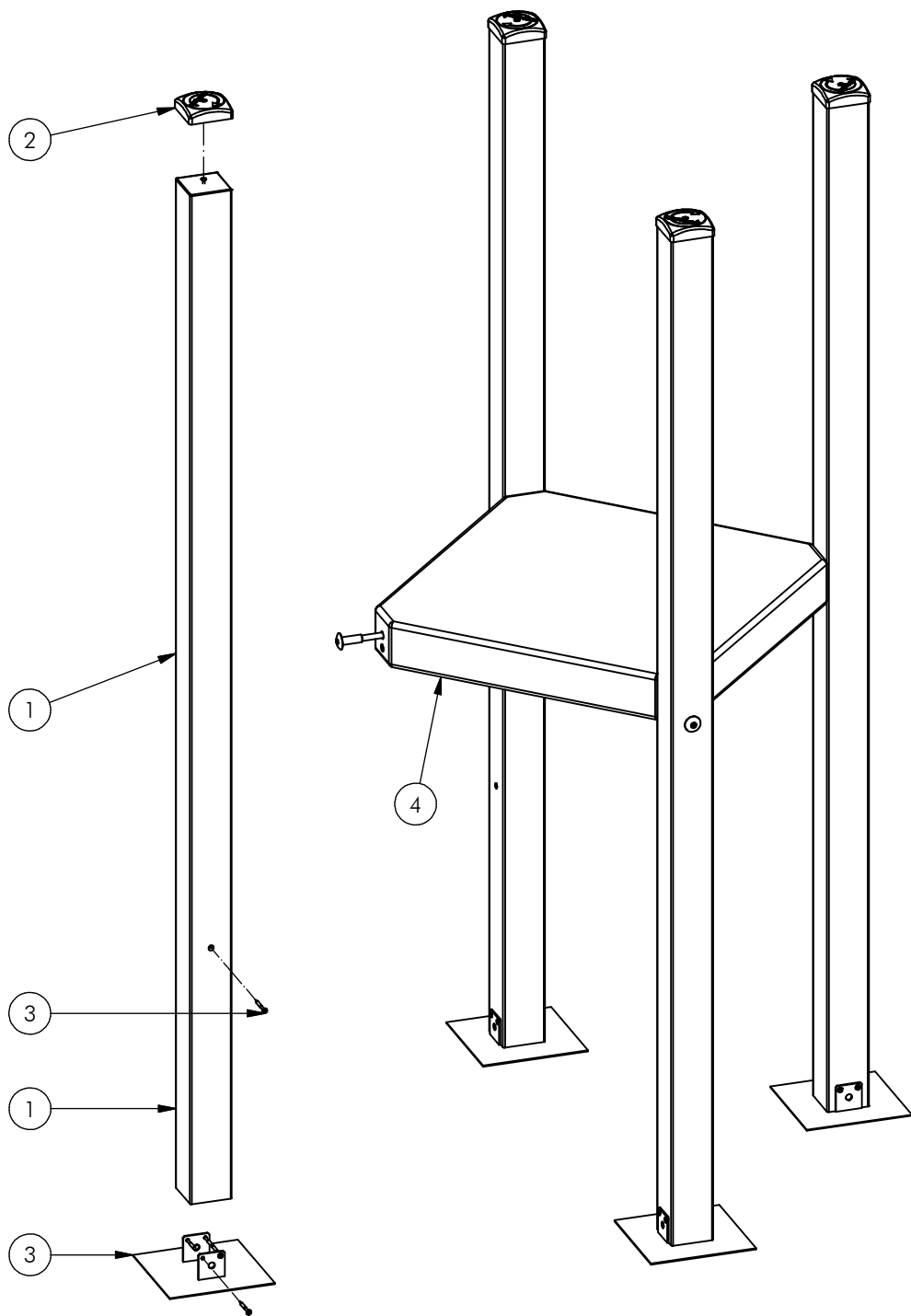
13	4	SME	UKP	546	320		Daksteun	Ukkepek
12	1	OME	DRM	096	304		NOKBEUGEL	90 GRADEN
11	4	OME	DRM	054	304	A	Plaatbeugel	120 Graden
10	4	OPE	UKP	001	060	B	Dakplaat	Ukkepek
9	8	KST	T33	010	000		ZADELRING	BUIS 33.7
8	20	KST	ROR	010	000		RING NYLON	M10 x 2.5 MM
7	8	KST	DOP	010	030		Beschermdop M10-M12	Dop rood
6	20	KST	DOP	006	030		OPVULDOPJE	6 MM ROOD
5	8	KST	DON	010	030		Beschermdop M10-M12	Donut Rood
4	28	BSR	030	010	002		SLUITRING	M10
3	20	BSR	023	010	040		Bolkopbout ISO 7380	M10 x 40 - RVS A2-70
2	8	BSR	021	010	100		Zeskantbout	M10 x 100 - RVS A2-70
1	20	BSR	011	010	020		DOPMOER	BORG RVS M10
POS	N	TYPE	PROJ.	NR.	BEH.	R	BENAMING	OPMERKING



Benaming Title: DAK  
 Opmerking Comment: UKKEPEK  
 Datum Date: 21-11-2014

Tekening Drawing

**MOD UKP HHT 103 A**  
 Samenstelling module Assembly module



Nr	#	Type	Progr.	Volgnr	Bew.	Rev.	Benaming	Opmerking
1	4	OHO	080	012	HHT		Staander HHT	80x80, lengte=1990
2	4	SMD	UKP	HHT	104		PAALKAP	UKKEPUK
3	4	SMD	UKP	HHT	103		ANKER PLAAT	UKKEPUK
4	1	SMD	UKP	HHT	100		VLOER VIERKANT	UKKEPUK



Benaming  
Title | TOREN LAAG

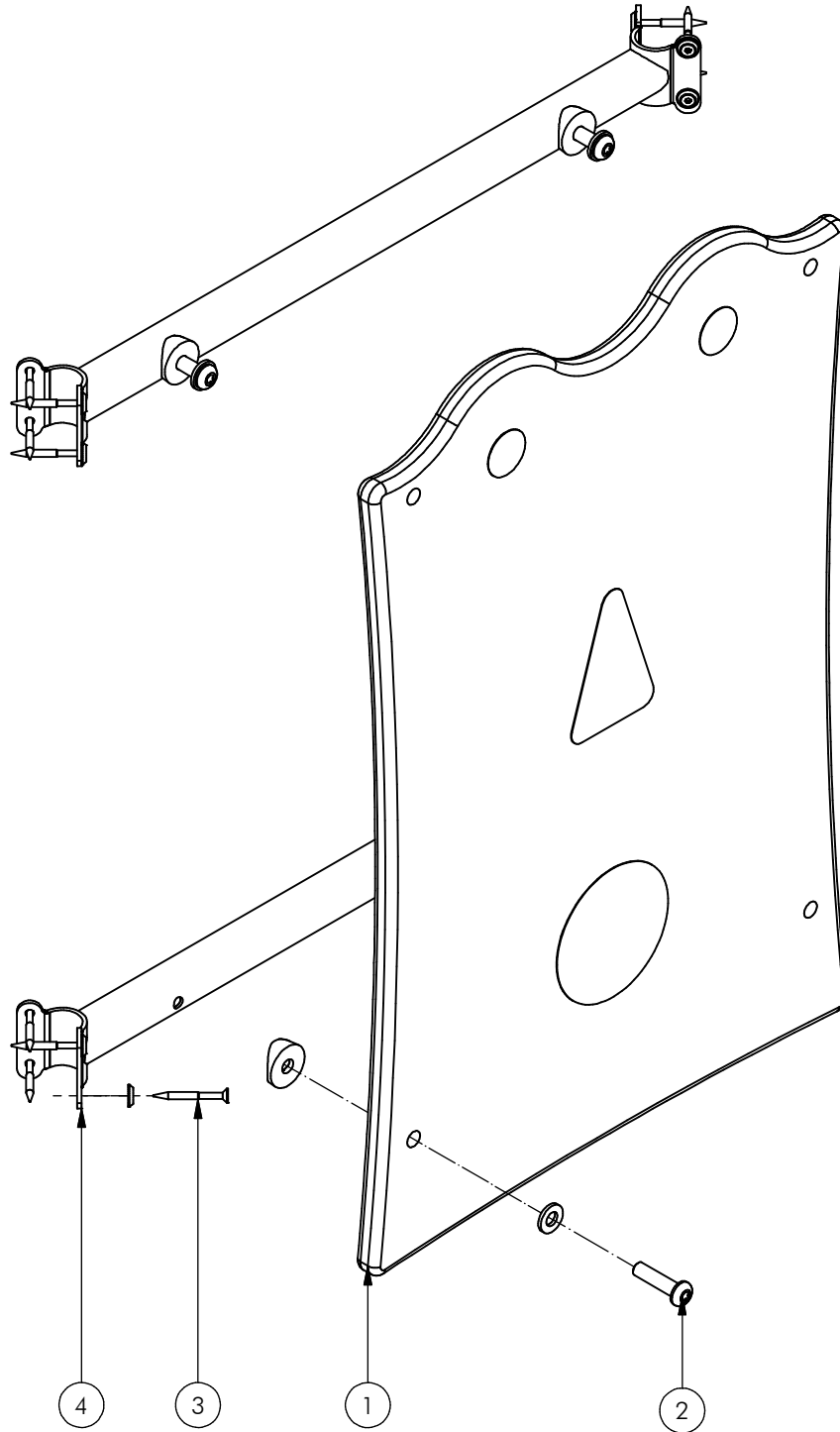
Opmerking  
Comment | UKKEPUK

Datum  
Date | 16-1-2007

Tekening  
Drawing

# MOD UKP HHT 104

Samenstelling module Assembly module



4	2	SME	UKP	501	320	A	SYSTEEMBUIS	UKKEPUK
3	4	SMD	UKP	HHT	105		BEVESTIGING VLINDER	UKKEPUK HHT
2	4	SMD	UKP	ALG	106		WAND BEVESTIGING	UKKEPUK
1	1	OPE	UKP	002	030	D	WAND OH	UKKEPUK
POS	N	TYPE	PROJ.	NR.	BEH.	R	BENAMING	OPMERKING



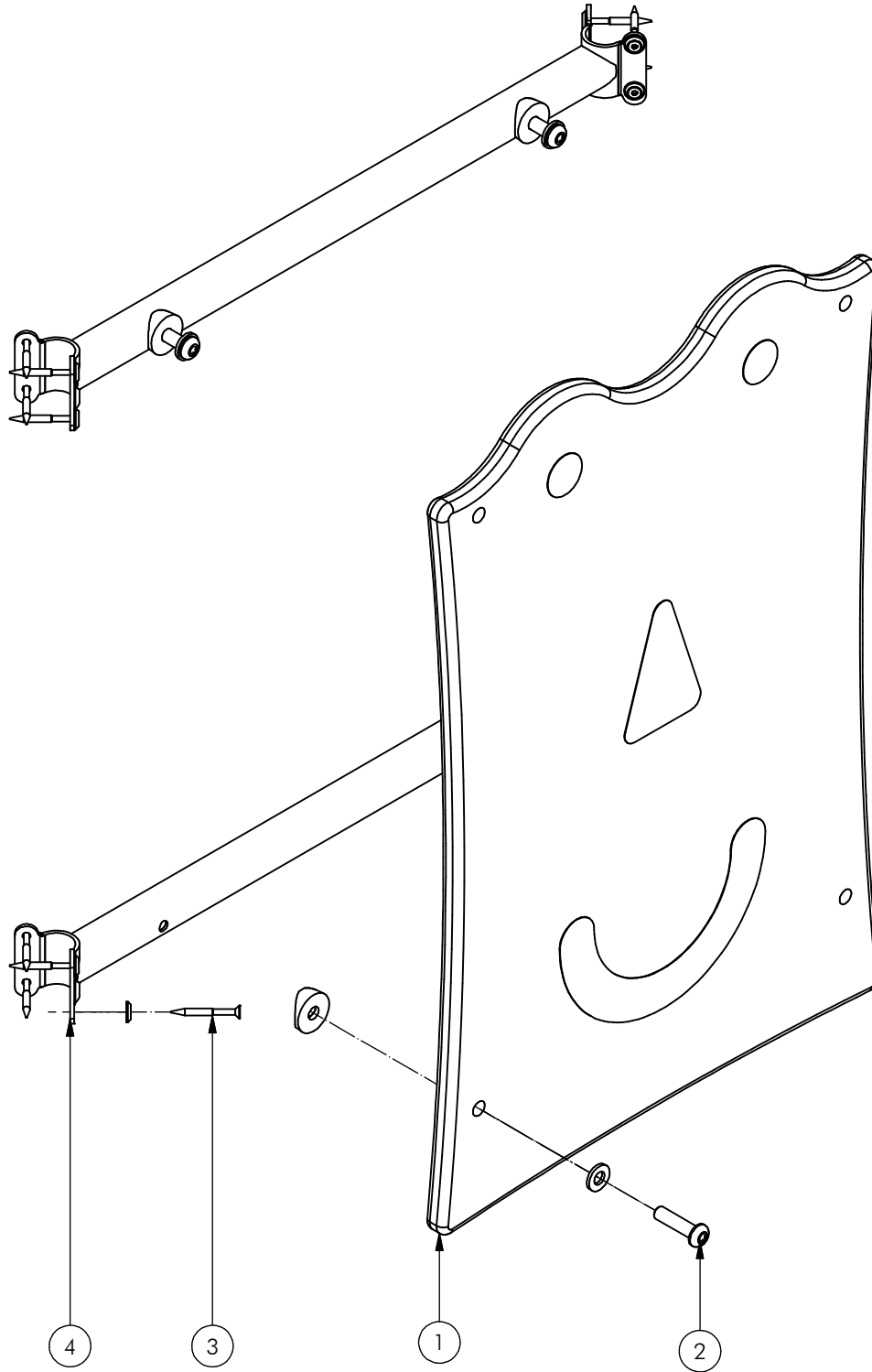
Benaming  
Title WANDJE OH

Opmerking  
Comment UKKEPUK

Datum  
Date 9-12-2013

Tekening  
Drawing

**MOD UKP HHT 110 A**  
 Samenstelling module *Assembly module*



4	2	SME	UKP	501	320	A	SYSTEEMBUIS	UKKEPUK
3	4	SMD	UKP	HHT	105		BEVESTIGING VLINDER	UKKEPUK HHT
2	4	SMD	UKP	ALG	106		WAND BEVESTIGING	UKKEPUK
1	1	OPE	UKP	003	010	D	WAND LACH	UKKEPUK
POS	N	TYPE	PROJ.	NR.	BEH.	R	BENAMING	OPMERKING



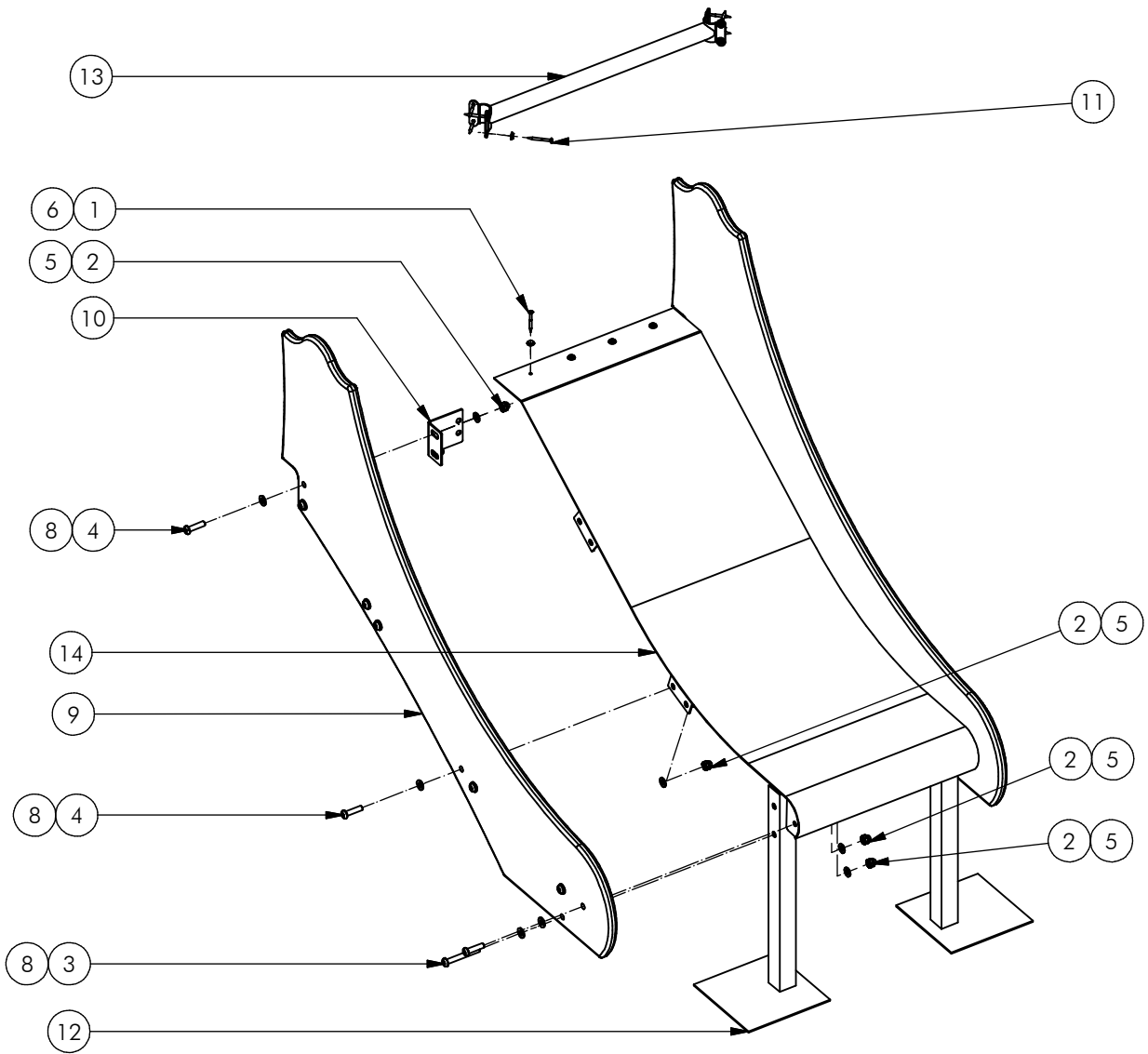
Benaming  
Title WANDJE LACH

Opmerking  
Comment UKKEPUK

Datum  
Date 9-12-2013

Tekening  
Drawing

**MOD UKP HHT 111 A**  
 Samenstelling module *Assembly module*



14	1	SME	UKP	550	320	B	Glijbaan	Ukkepuk
13	1	SME	UKP	500	320	A	SYSTEEMBUIS	UKKEPUK
12	2	SME	UKP	024	372	A	Steunpoot Glijbaan	Ukkepuk
11	2	SMD	UKP	HHT	105		BEVESTIGING VLINDER	UKKEPUK HHT
10	2	OME	UKP	577	304		Bevestigingshoek	Glijbaan Ukkepuk
9	2	OPE	UKP	030	050	B	Zijkant Glijbaan	Ukkepuk
8	18	KST	ROR	010	000		RING NYLON	M10 x 2.5 MM
7	18	KST	DOP	006	030		OPVULDOPJE	6 MM ROOD
6	4	BSR	036	005	015		Facet ring	M5 - RVS A2-70
5	18	BSR	030	010	002		SLUITRING	M10
4	14	BSR	023	010	040		Bolkopbout ISO 7380	M10 x 40 - RVS A2-70
3	4	BSR	023	010	080		Bolkopbout ISO 7380	M10 x 80 - RVS A2-70
2	18	BSR	011	010	020		DOPMOER	BORG RVS M10
1	4	BSR	002	005	050		SCHROEF	5 x 50
POS	N	TYPE	PROJ.	NR.	BEH.	R	BENAMING	OPMERKING



Benaming  
Title

Opmerking  
Comment

Datum  
Date

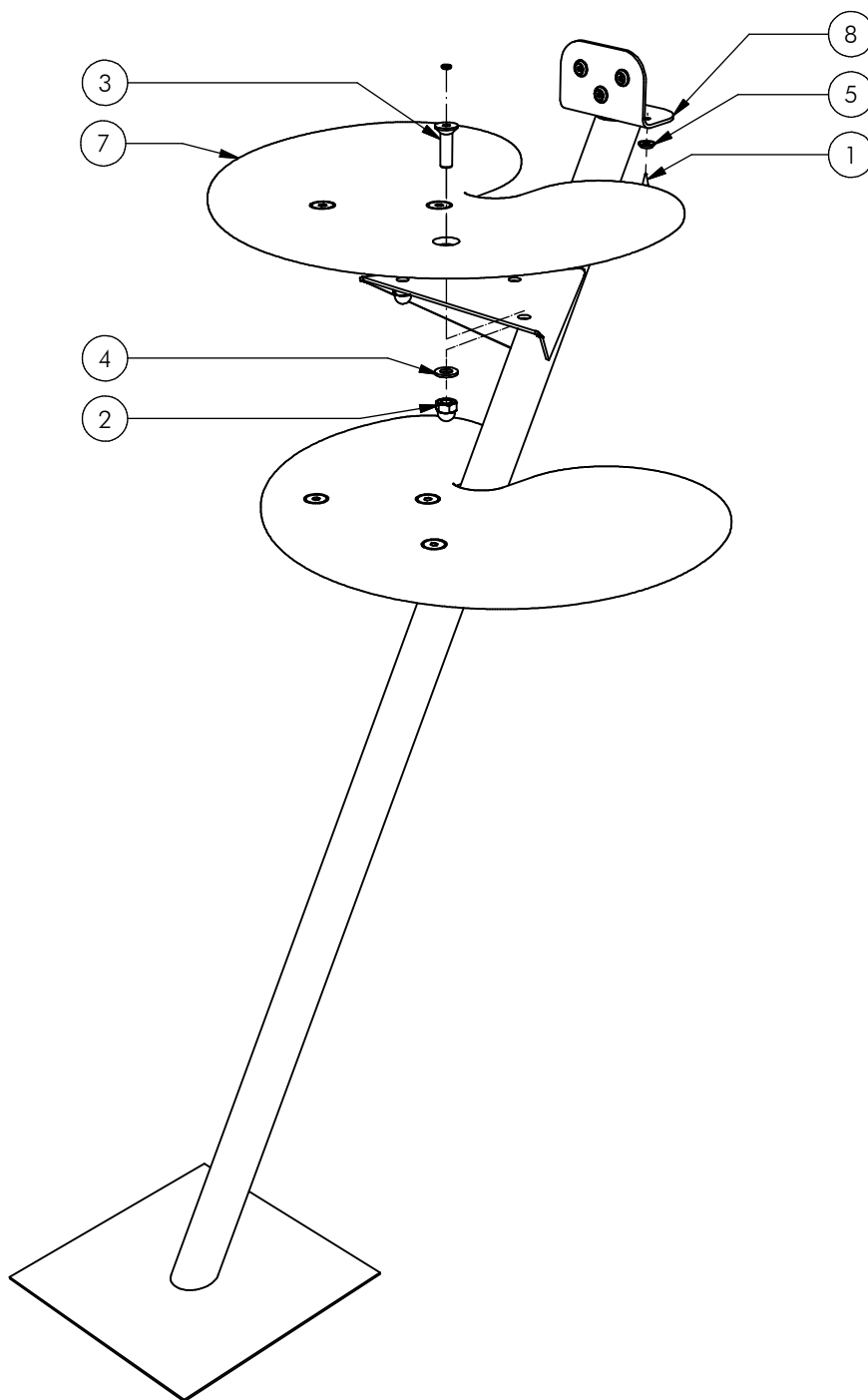
GLIJBAAN

UKKEPUK

6-12-2013

Tekening  
Drawing

**MOD UKP HHT 152 A**  
 Samenstelling module *Assembly module*



Nr	#	Type	Progr.	Volgnr	Bew.	Rev.	Benaming	Opmerking
1	5	BSR	002	005	030		Schroef Assy	5 x 30 - RVS A2-70
2	6	BSR	011	010	020		DOPMOER	BORG RVS M10
3	6	BSR	024	010	035		Verzonken bout	M10 x 35 - RVS A2-70
4	6	BSR	030	010	002		SLUITRING	M10
5	5	BSR	036	005	015		Facet ring	M5 - RVS A2-70
6	6	KST	DOP	006	030		OPVULDOPJE	6 MM ROOD
7	2	OHO	UKP	128	COA	D	Platform	Boomtrap
8	1	SME	UKP	577	320	C	Trapboom	Ukkepuk