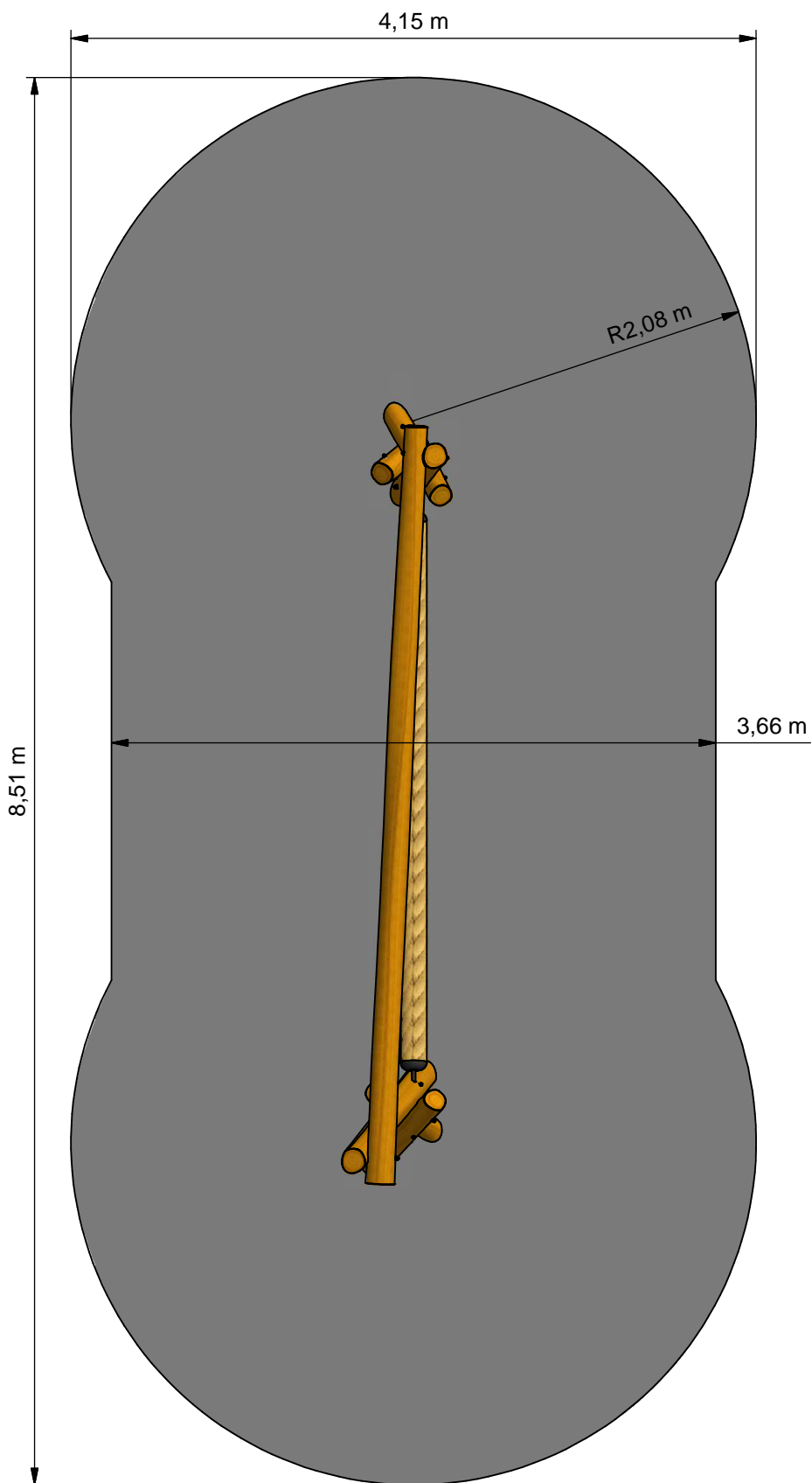




Balancing rope 3m



PSTE105.024



- Opvangzone
Impact area
- Obstakelvrije zone
Obstacle free zone



Benaming
Title | Balans 3m

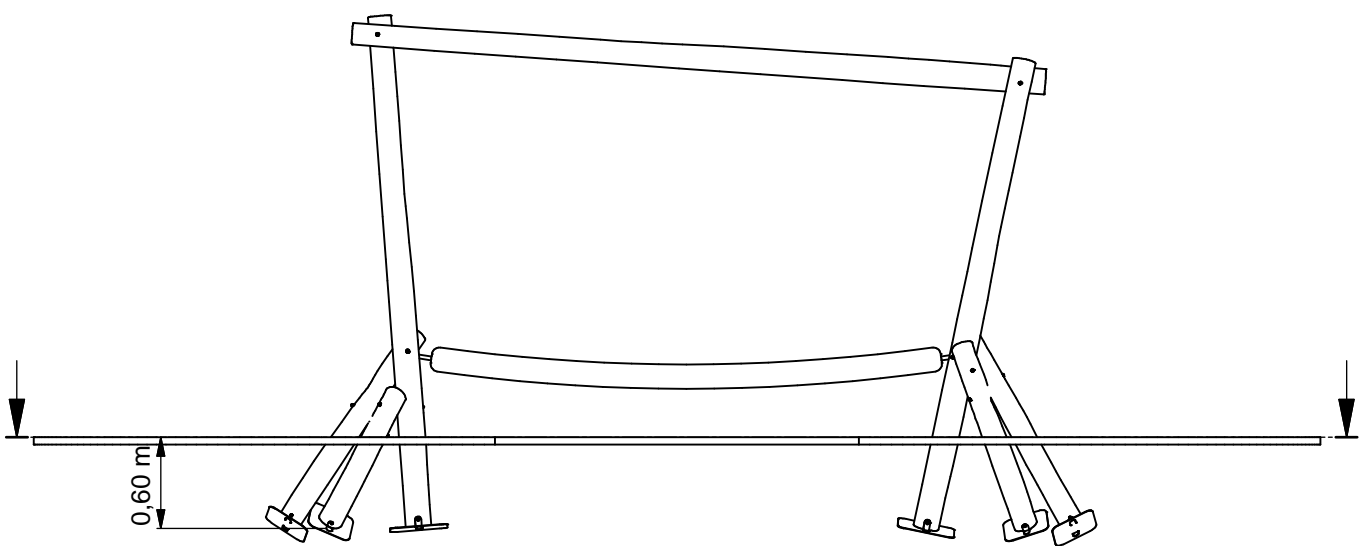
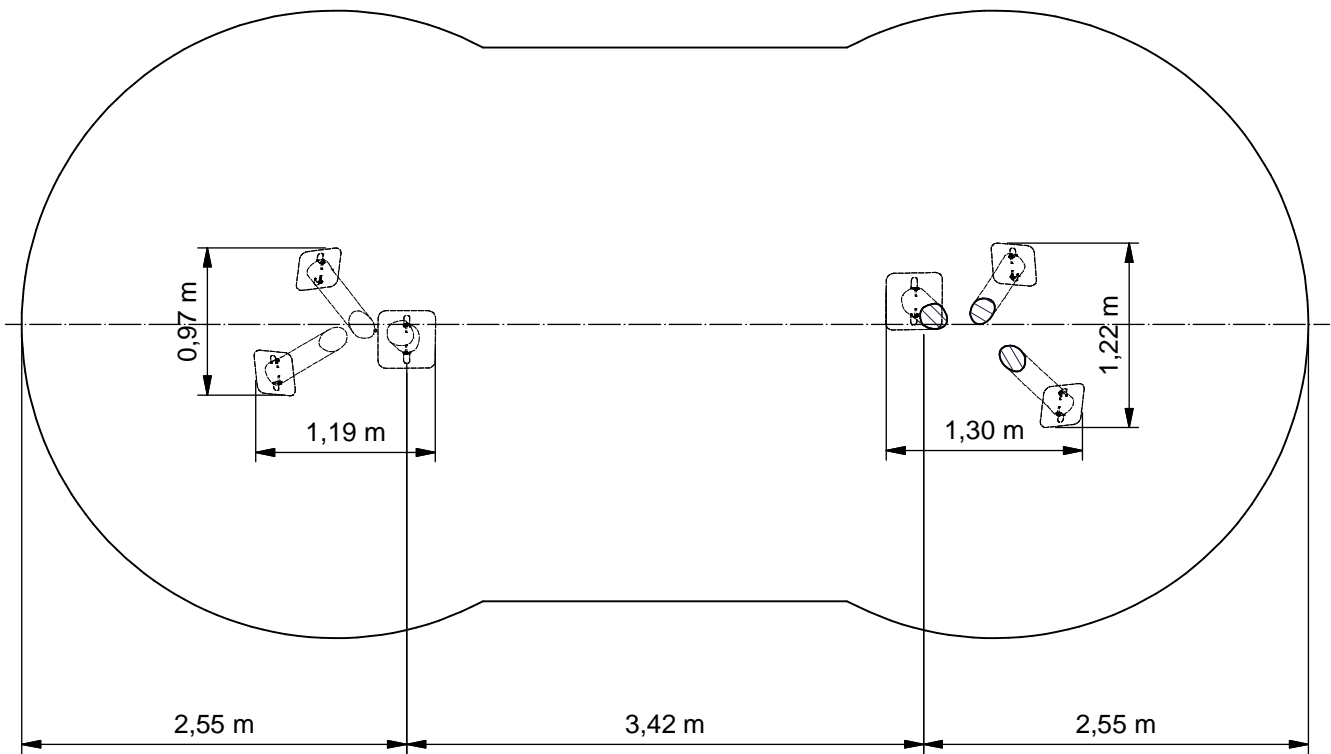
Opmerking
Comment | Adventure Play

Datum
Date | 17-1-2013

Tekening
Drawing

TOE PST 105 024

Obstakelvrije zone *Obstacle free zone*

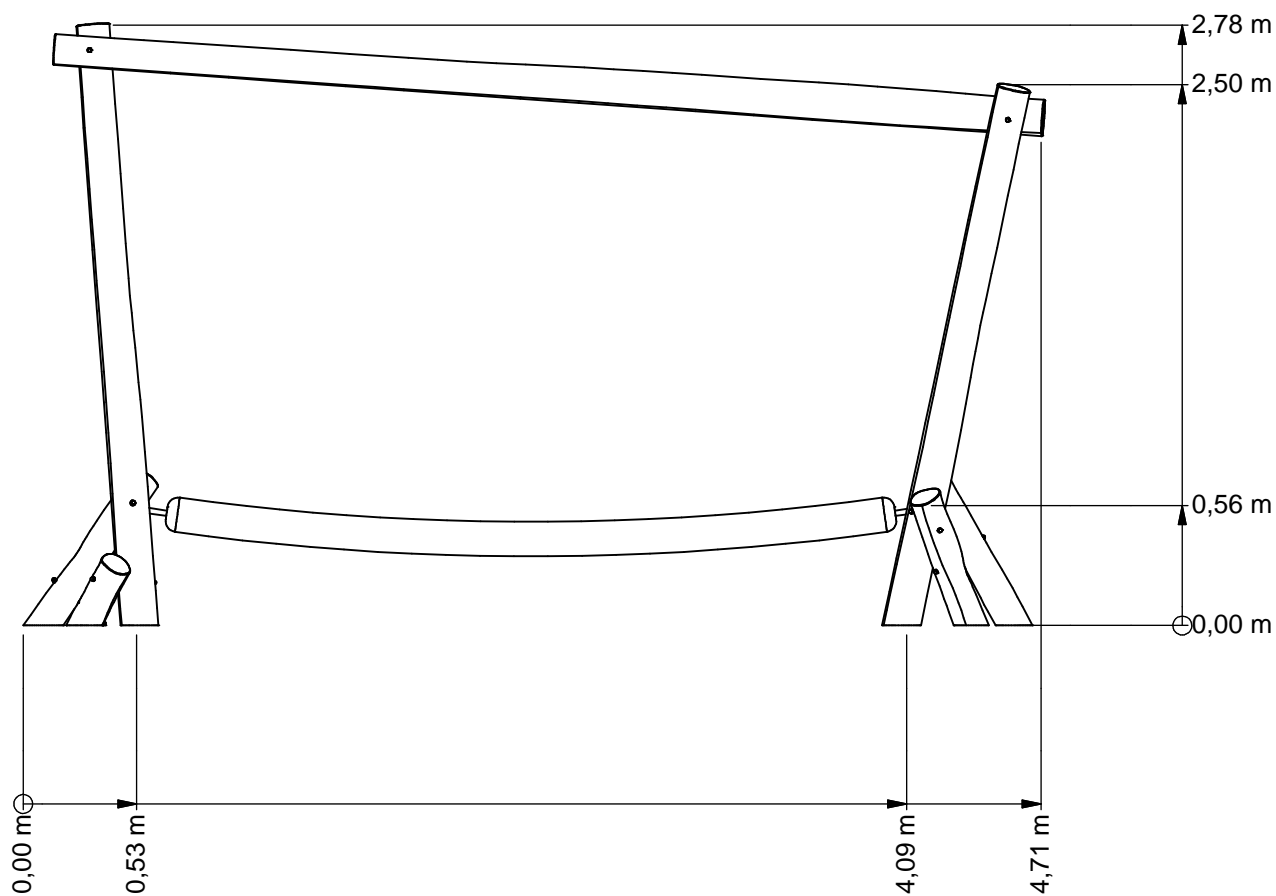
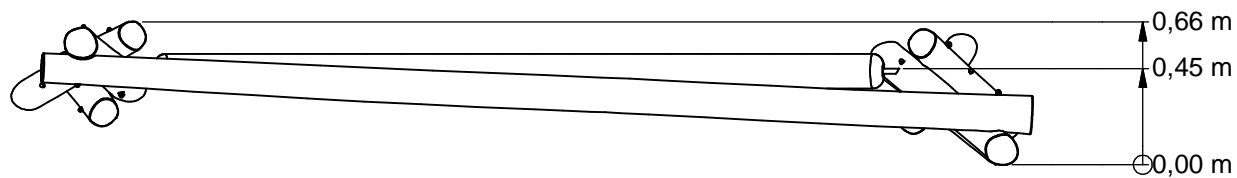


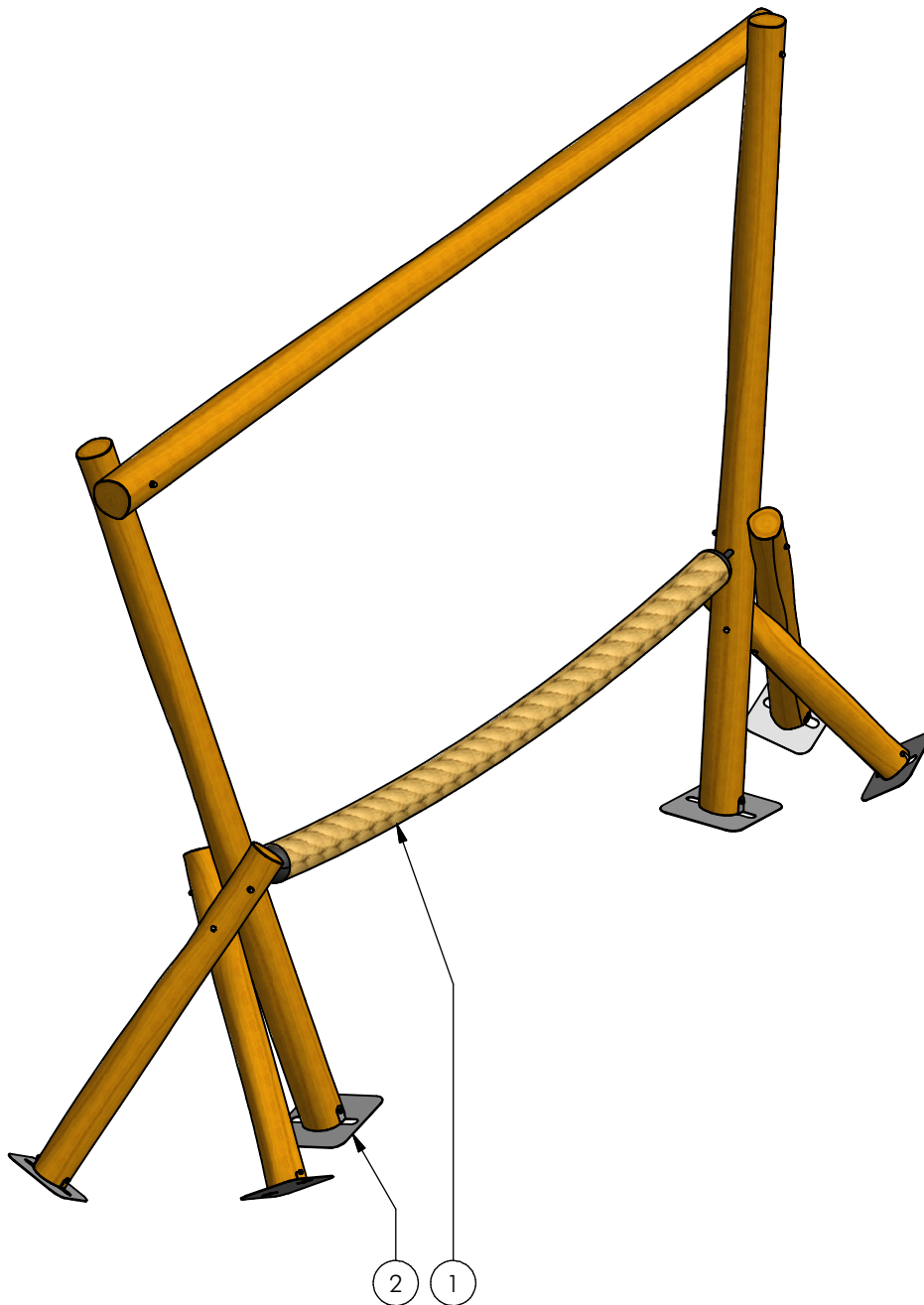
Benaming
 Title Balans 3m
 Opmerking
 Comment Adventure Play
 Datum
 Date 17-1-2013

Tekening
 Drawing

TOE PST 105 024

Bodemplan Groundplan





Nr	#	Type	Progr.	Volgnr	Bew.	Rev.	Benaming	Opmerking
1	1	MOD	PST	023	001		Touw 3,6 meter	Adventure Play
2	1	MOD	PST	105	024		Oversteek	bij PST.105.024



Benaming
Title | Balans 3m

Opmerking
Comment | Adventure Play

Datum
Date | 17-1-2013

Tekening
Drawing

TOE PST 105 024

Modules Modules

Geleverde delen:

- A - Staander frame 'A'
- B - Staander frame 'B'
- C - Bovenbalk
- D - Dik touw
- E - Voetplaat groot (2x)
- F - Voetplaat klein (4x)

Bevestiging sets:

- 1 - M12 draadeind met moeren
- 2 - Houtdraadbout M10
- 3 - Bevestigingsset touw

Montagevolgorde:

- 1 - monteer de voetplaten E en F met 2 onder de staanders
- 2 - graaf de gaten volgens het bodemplan en plaats hierin A en B
- 3 - bevestig C met 1
- 4 - Bevestig D met 3
- 5 - controleer of het toestel voldoet aan de afmetingen zoals op blad 'afmetingen'
- 6 - dicht de gaten en verdicht het zand

Controles:

- 1 - correcte opbouw en alle bevestigingsmiddelen
- 2 - de uiterste sta-hoogte (<60 cm)
- 3 - controleer de afmetingen van de valbodem t.o.v. het toestel

Supplied parts:

- A - Pole-frame 'A'
- B - Pole-frame 'B'
- C - Beam
- D - Big rope
- E - Footplate big (2x)
- F - Footplate small (4x)

Mounting kits:

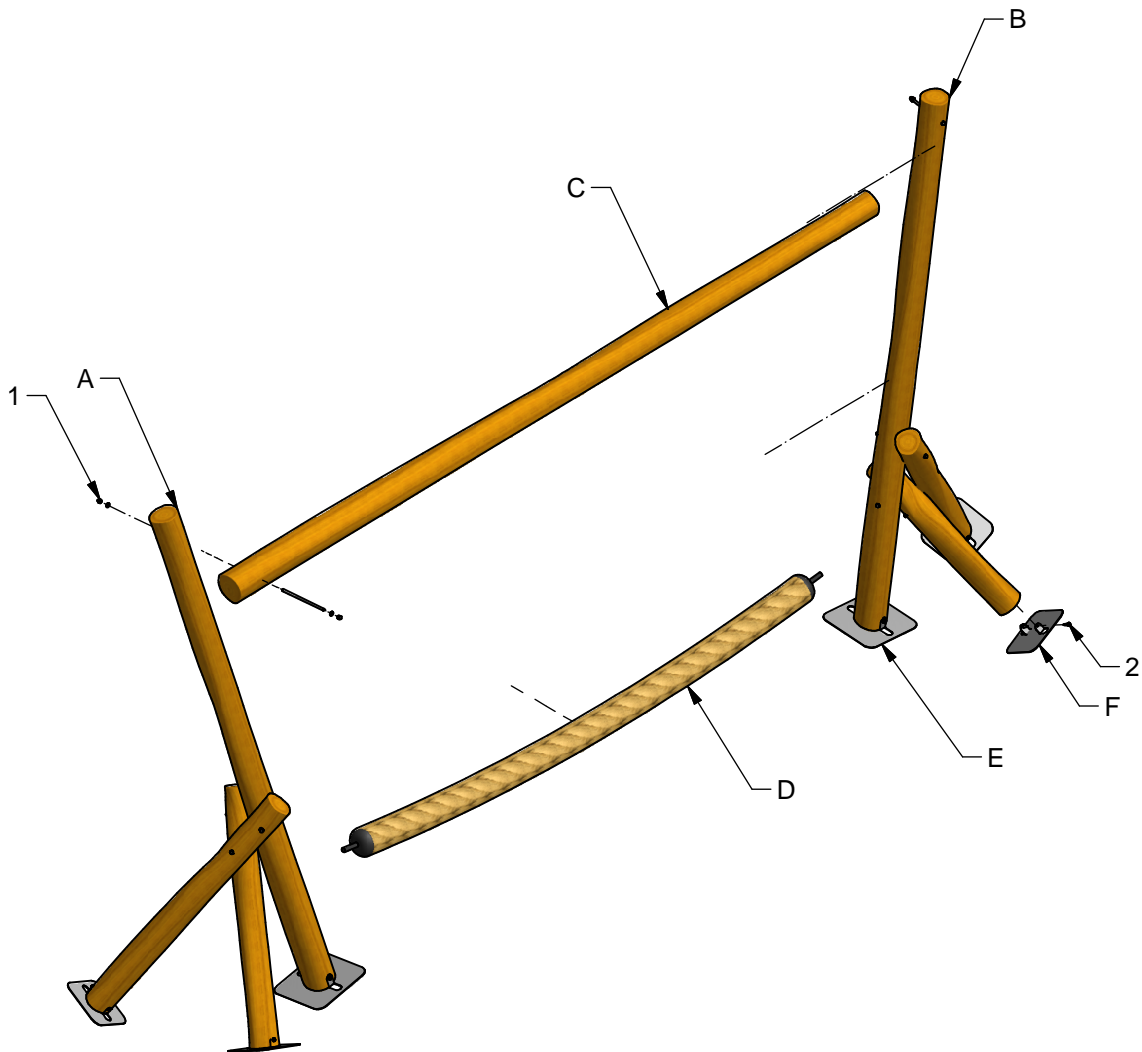
- 1 - M12 threaded rod with nuts
- 2 - Woodscrew M10
- 3 - Mounting set rope

Assembly sequence:

- 1 - mount the footplates E and F underneath the poles with 2
- 2 - dig the holes according to the ground plan and place the frames A and B
- 3 - mount C with 1
- 4 - mount D with 3
- 5 - check that the equipment conforms to the dimensions shown on sheet 'dimensions'
- 6 - close the holes and compact the sand

Checks:

- 1 - correct assembly and all the fasteners
- 2 - the maximum standing height (<60 cm)
- 3 - check the dimensions of the safety area compared to the play equipment



PSTE105.024

Balancing rope 3m

LOGBOOK

(Onderstaand logboek kan gebruikt worden om te voldoen aan de eisen, gesteld in artikel 14 van het Warenwetbesluit Attractie- en Speeltoestellen)

Type indication	Adventure Play
Product code	PSTE105.024
Name of equipment	Balanstouw 3m
Maximum height of fall	0,6 m
Year of construction	2017
Certificate	033858
inspection authority	TUV Nederland QA BV De Waal 21c, Best - 5684 PH Best
Name manufacturer	BOERplay Hyacintstraat 2 - 4255 HX Nieuwendijk Phone: +31 (0)183 40 23 66 Fax: +31 (0)183 40 35 64
name installer	_____ _____
Description of equipment	Balancing rope 3m
Location of equipment	_____
Data about the owner of the play equipment	
Name:	_____
Address:	_____
Postcode and town:	_____
Contact person:	_____
Telephone number:	_____
Data about the administrator of the play equipment	
Name:	_____
Address:	_____
Postcode and town:	_____
Contact person:	_____
Telephone number:	_____

LOGBOOK

Inspection and maintenance intervals



Nr.	Inspection	Maintenance	months between inspections
1	Verify equipment's stability, junctions and missing parts. Inspect bolts, screws and nuts for absence, jams, corrosion and wear.	Add missing parts, secure joints, apply missing fixing agent and replace corroded parts.	1
2	Check suspension for wear.	Replace worn parts and/or remove non-functioning parts.	1
3	Inspect rotating parts such as hinges, rolling-element bearings, etc. for wear and acceptability.	Replace worn parts and/or remove non-functioning parts.	1
4	Check wood for splinters, unacceptable damage and signs of rot. Especially at ground level.	Repair damage. Replace affected wood. Smoothen splintered wood and sharp edges.	1
5	Inspect foundation for stability, tearing and coverage.	Restore foundation and covering material.	3
6	Examine rubber and synthetic parts for wear, damage and break.	Replace original parts.	3
7	Inspect metal for corrosion and damage in the coating.	Restore any damaged coating (after removing rust and applying primer).	6
8	Check ropes, cables, chains and nets for wear and damage. Steel cables and nets which are tensioned must be checked for tension.	Replace parts where necessary. Steel cables and nets must be tensioned.	3
9	Inspect equipment for unsafe changes and additions.	Remove unsafe additions and correct unsafe changes.	1
10	Inspect safety surfaces.	Restore and repair where necessary.	1

Remarks

1. If used intensively, all points require extra attention.
2. Extreme weather conditions and locations may require a higher inspection frequency. Discuss this with the supplier.
3. Vandalism-sensitive locations require stricter inspections, possibly daily.
4. Check the terrain regularly for items that do not belong there, are unsafe or may be used wrongly. Examples are poisonous plants, glass shards, etc. Frequency depends on strain.
5. Remember that bad maintenance leads to unsafe conditions and notably faster impoverishment of the playground area.
6. Replacement parts can be ordered at the manufacturer with the part numbers on the module drawing. Drawings can be found in de user guide.
7. The impact area shall be provided with impact attenuating surface according to the specified falling height.
8. This list is conform the CEN-standard "playground equipment and surfacing NEN-EN 1176-7".

Warenwet

Certificaat van Typeonderzoek Type Examination Certificate

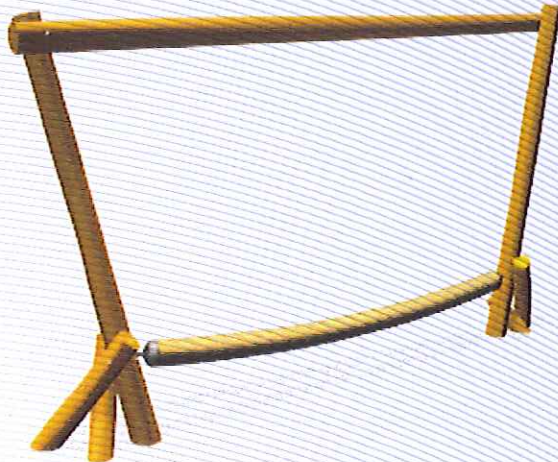
afgegeven door issued by

TÜV Nederland QA BV



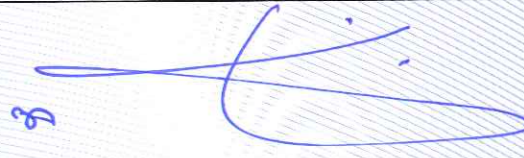
ingewezen bij ministeriële beschikking van
4 mei 2012, nr. VGP 3113590

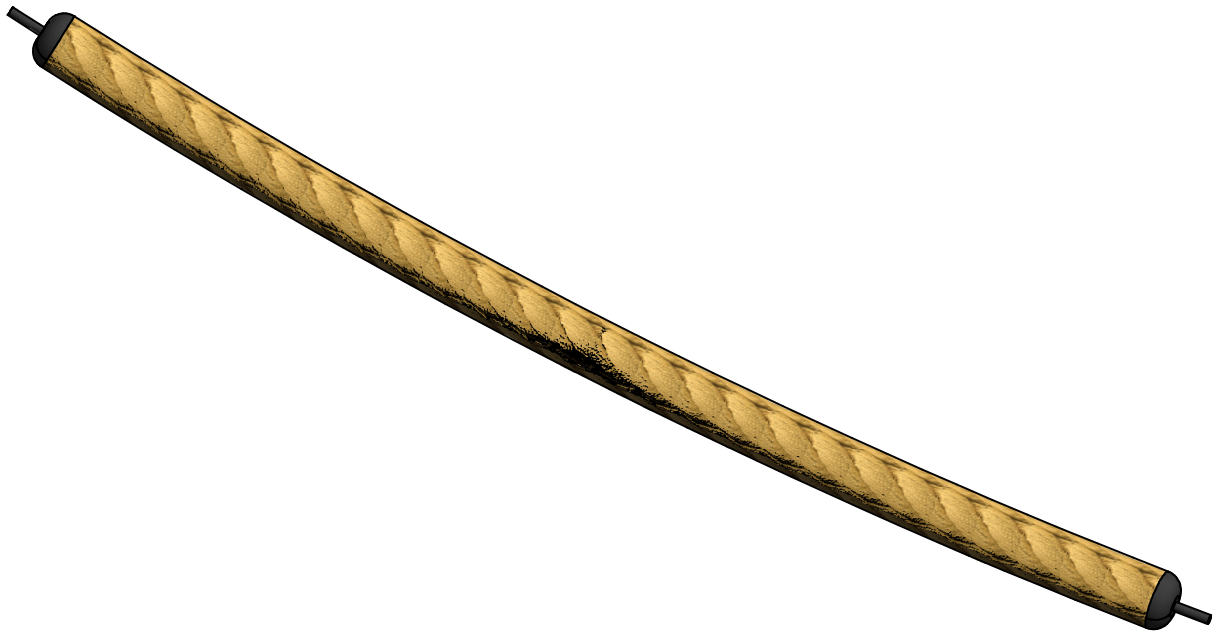
commissioned by departmental order
of 4 May 2012, no. VGP 3113590

Certificaat nr. Certificate nr.	033858TA_20130305	Dossiernr. File nr.	033858TA
Productomschrijving Product description	Balanstouw		
Evt. nadere aanduidingen Further indications	vrije valhoogte 60 cm		
voor nadere informatie zie bijbehorend rapport met gelijkloidend dossiernr. or further information see associated report with identical file nr.			
Eigenaar / certificaathouder en adres Owner/certificate holder and address	Boer Speeltoestellen B.V. Postbus 10 4255 ZG NIEUWENDIJK		
Soort toestel Category of equipment	Speeltoestel		
Fabrikant Manufacturer	Boer Speeltoestellen B.V. Postbus 10 4255 ZG NIEUWENDIJK		
Type/Serienummer Type/Serial number	PST.105.024 /		in te vullen door de fabrikant to be filled out by the manufacturer
Jaar van fabricage Year of construction	vanaf since 2013		
Leverancier Supplier	Boer Speeltoestellen B.V. Postbus 10 4255 ZG NIEUWENDIJK		
Jaar van leverantie Year of supply	in te vullen door de leverancier to be filled out by the supplier		
Datum keuring Date of examination	28-02-2013 – 05-03-2013		

TÜV Nederland QA BV, de Waal 21C, NL-5684 PH Best verklaart, dat het bovenaangehaalde toestel voldoet aan de vervaardigingvoorschriften genoemd in het Warenwetbesluit attractie- en speeltoestellen (met als leidraad de normatieve documenten NEN-EN 1176:2008).

TÜV Nederland QA BV declares that the here above mentioned equipment meets the safety and health requirements mentioned in the Dutch law "Warenwetbesluit attractie- en speeltoestellen" (guided by normative documents EN 1176:2008).

Namens het bestuur, For the board, A.C. Boon Directeur	
---	--



Nr	#	Type	Progr.	Volgnr	Bew.	Rev.	Benaming	Opmerking
1	1	ONT	PST	160	002		Touw 3,6m	160mm diameter

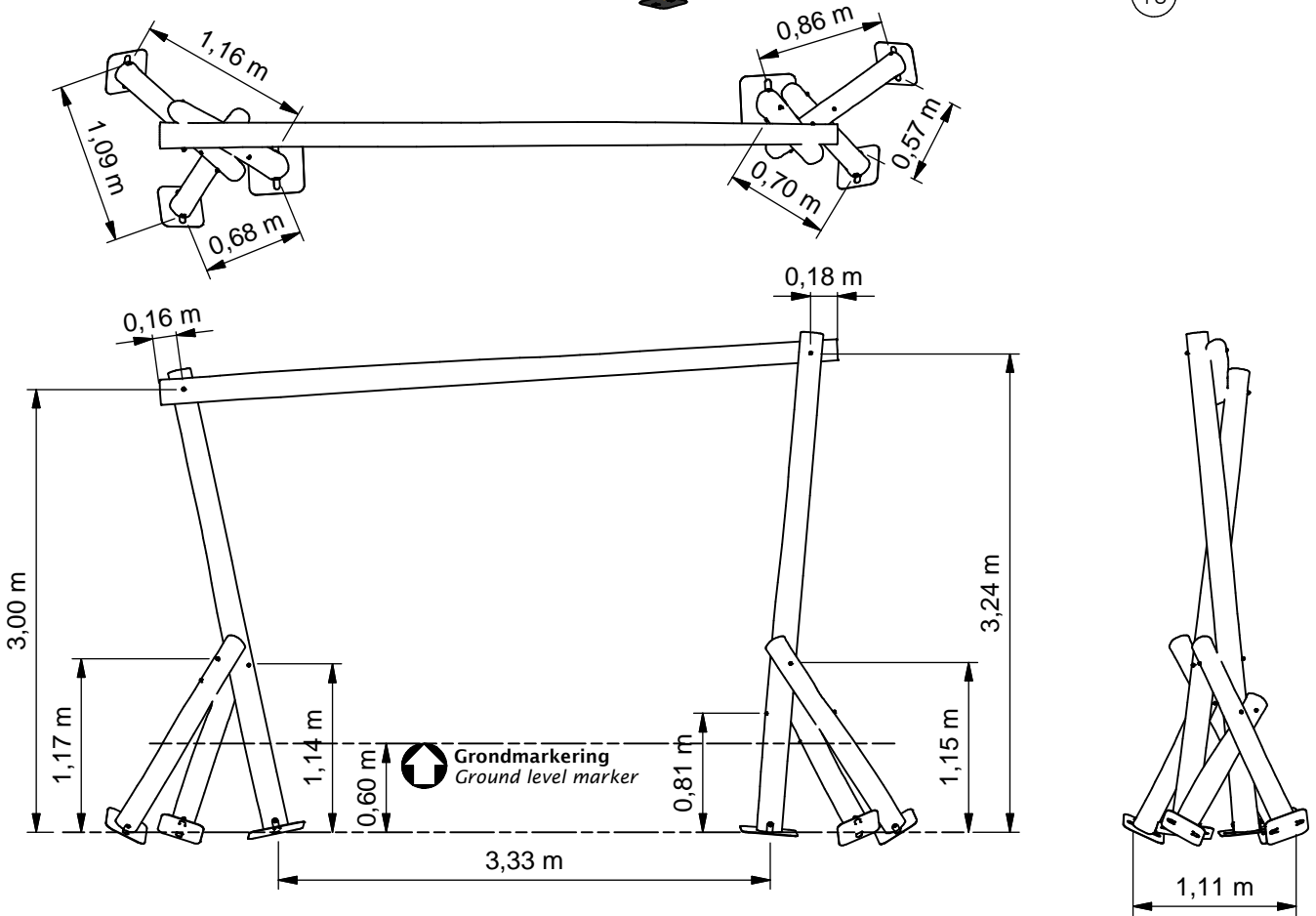
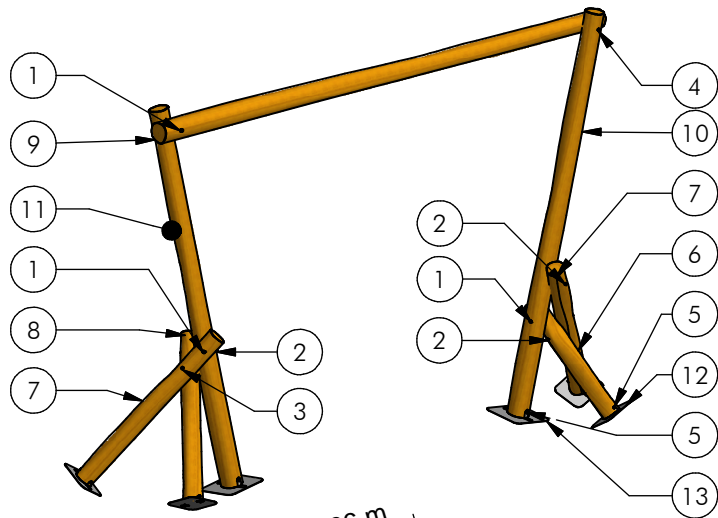


Benaming / Title: Touw 3,6 meter
 Opmerking / Comment: Adventure Play
 Datum / Date: 5-7-2011

Tekening / Drawing

MOD PST 023 001

Samenstelling module *Assembly module*



Nr	#	Type	Progr.	Volgnr	Bew.	Rev.	Benaming	Opmerking
1	3	BMR	SET	M12	320		Draadeind+dopm.+ringen	M12, L= 320, RVS A2-70
2	3	BMR	SET	M12	300		Draadeind+dopm.+ringen	M12, L= 300, RVS A2-70
3	1	BMR	SET	M12	280		Draadeind+dopm.+ringen	M12, L= 280, RVS A2-70
4	1	BMR	SET	M12	260		Draadeind+dopm.+ringen	M12, L= 260, RVS A2-70
5	12	BSR	O22	010	050		Houtdraadbout	RVS A2 M10 X 50
6	1	OHO	PST	160	011		Paal 14-16	Lengte =1100
7	2	OHO	PST	160	016		Paal 14-16	Lengte =1600
8	1	OHO	PST	160	014		Paal 14-16	Lengte =1400
9	1	OHO	PST	180	046		Paal 16-18	Lengte =4600
10	1	OHO	PST	180	034		Paal 16-18	Lengte =3400
11	1	OHO	PST	180	032		Paal 16-18	Lengte =3200
12	4	OME	JGP	001	VZP		Voetplaat	Jungleplay
13	2	OME	PST	038	VZP		Voetplaat 180	Adventureplay



Benaming
Title Oversteek

Opmerking
Comment bij PST.105.024

Datum
Date 16-1-2013

Tekening
Drawing

MOD PST 105 024

Samenstelling module Assembly module