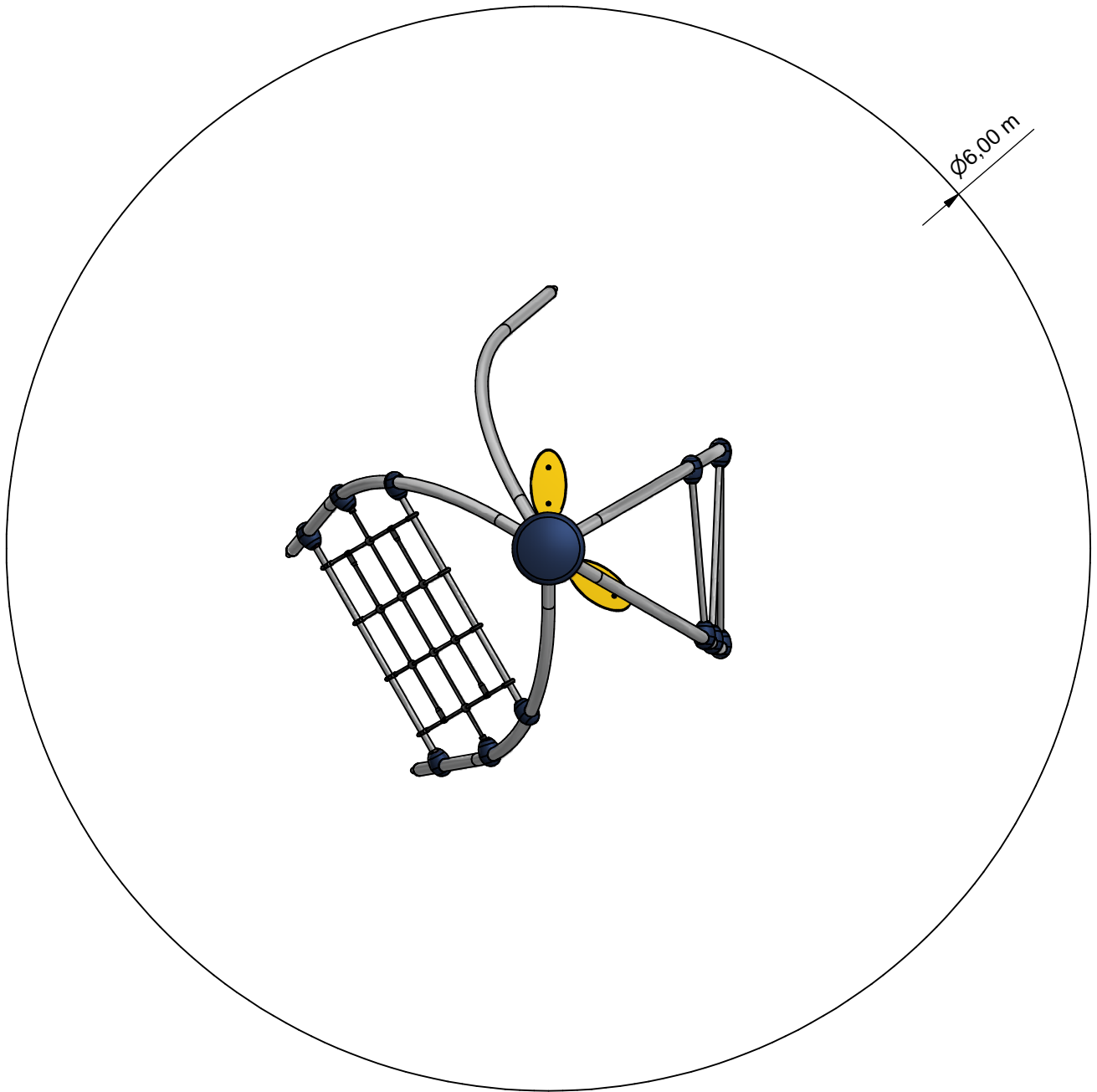




Pioneer Apollonius 001



PNRE010.001



Valruimte
 Obstakelvrije ruimte

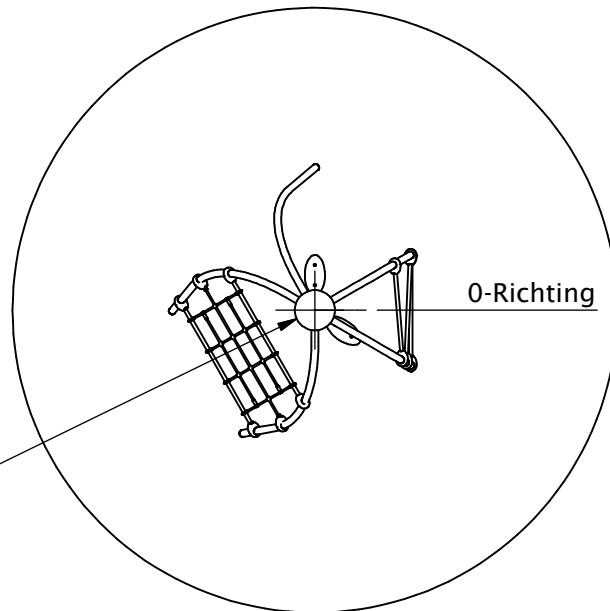
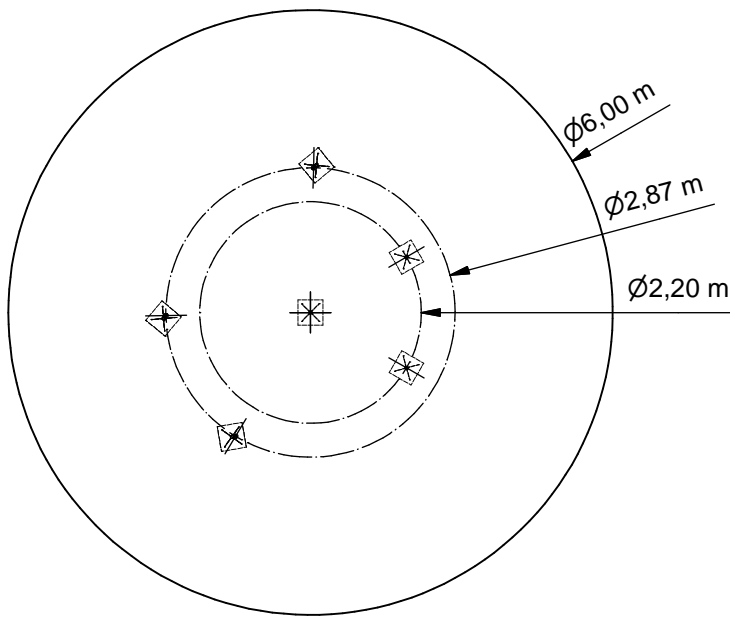


Benaming / Title: Apollonius 001
 Opmerking / Comment: Pionier
 Datum / Date: 18-11-2011

Tekening / Drawing

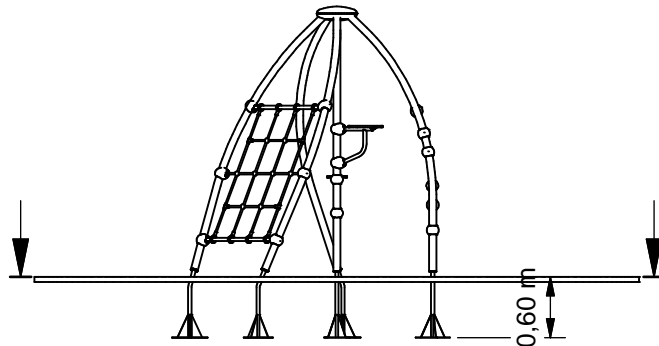
TOE PNR 010 001

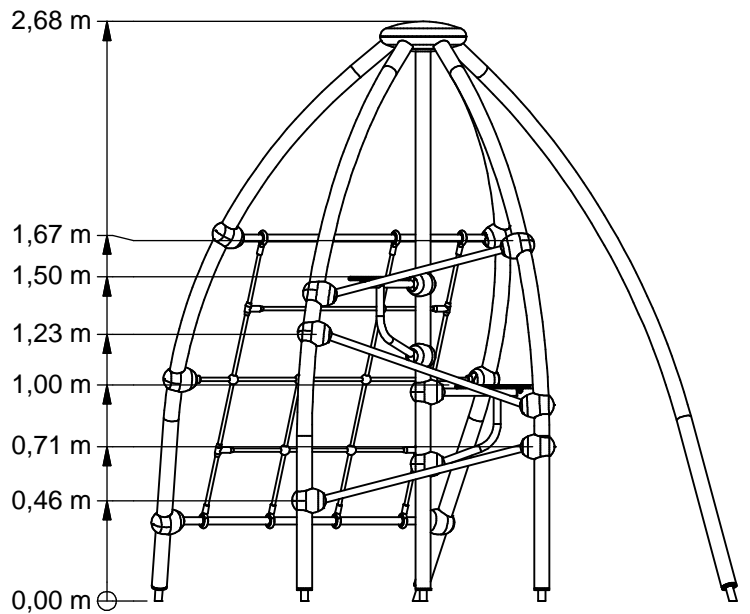
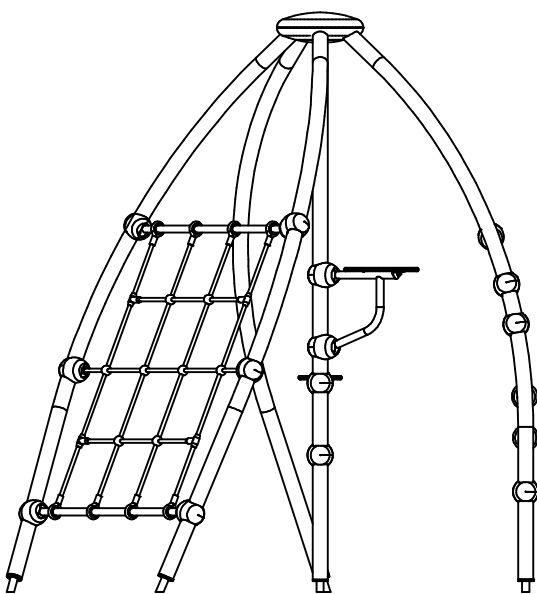
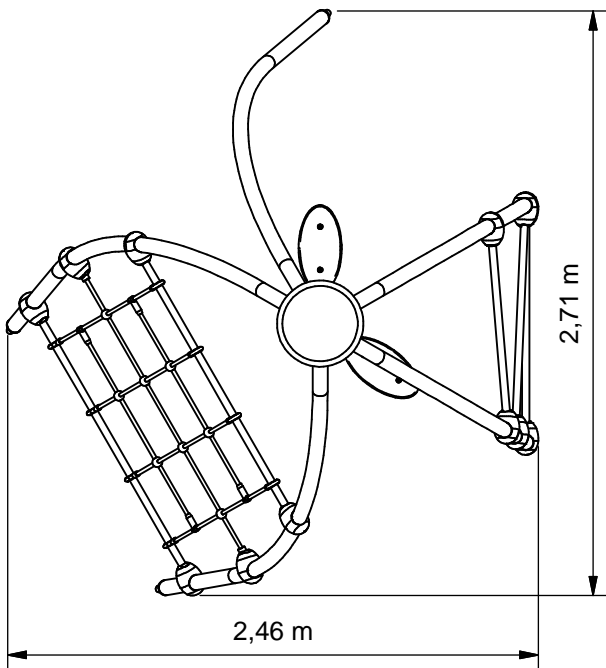
Obstakelvrije Ruimte *Obstacle free zone*



Topmodule A

| Richting | Stand |
|----------|-------|
| 1 | 3 |
| 4 | 2 |
| 5 | 4 |
| 9 | 2 |
| 11 | 3 |





Benaming
Title Apollonius 001

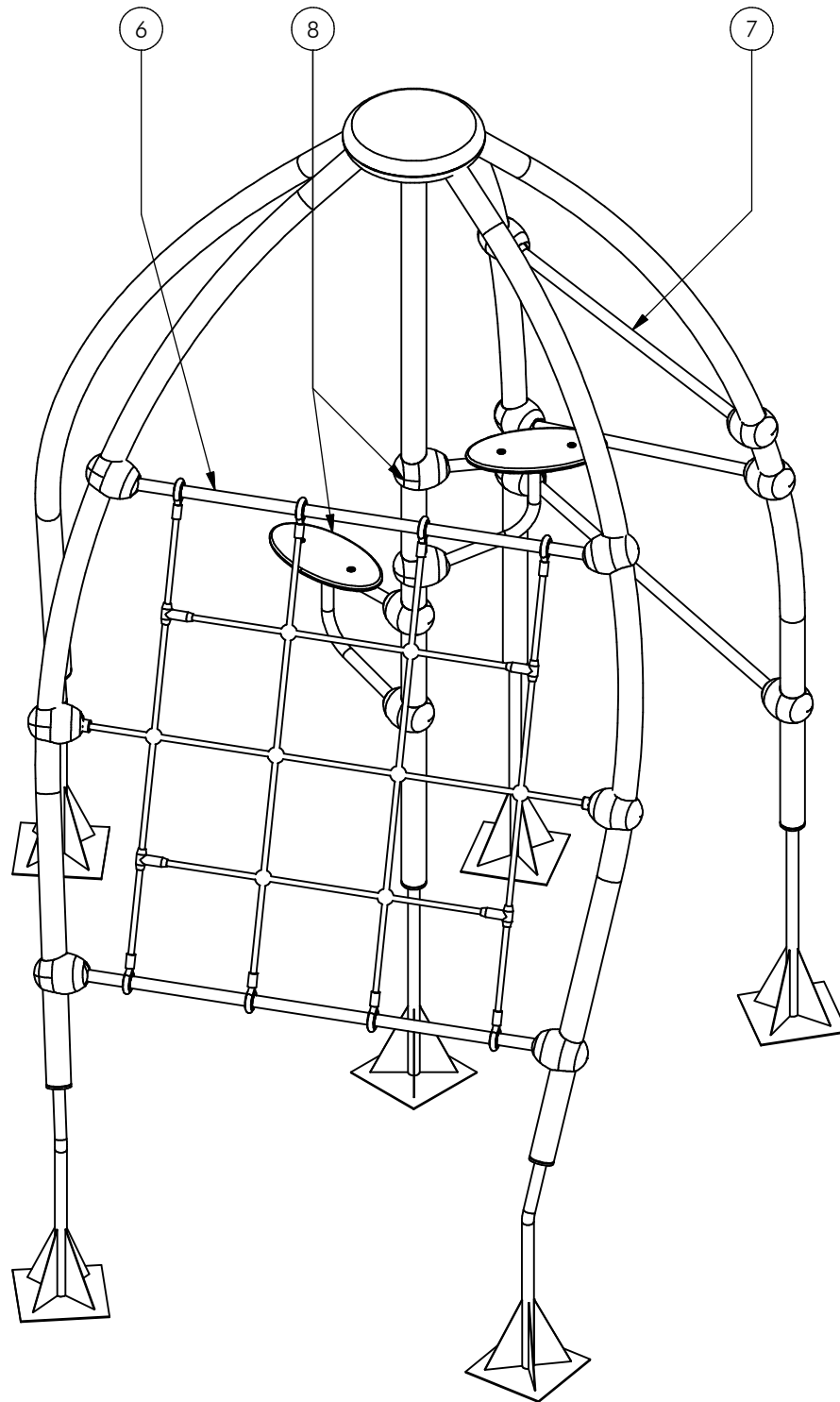
Opmerking
Comment Pionier

Datum
Date 18-11-2011

Tekening
Drawing

TOE PNR 010 001

Afmetingen Dimensions



| | | | | | | | | |
|-----|---|------|------|-----|------|---|------------|----------------|
| 8 | 2 | MOD | PNR | 323 | 000 | | Zitje | Recht |
| 7 | 1 | MOD | PNR | 311 | 323 | | Buizenwand | Zig-zag |
| 6 | 1 | MOD | PNR | 301 | 442 | | Klimnet | 442 |
| 5 | 1 | MOD | PNR | 010 | 000 | | Staander | Midden stand 0 |
| 4 | 1 | MOD | PNR | 004 | 000 | | Staander | Stand 4 |
| 3 | 2 | MOD | PNR | 003 | 000 | | Staander | Stand 3 |
| 2 | 2 | MOD | PNR | 002 | 000 | | Staander | Stand 2 |
| 1 | 1 | MOD | PNR | 001 | 000 | | Topmodule | Pionier |
| POS | N | TYPE | PROJ | NR. | BEH. | R | BENAMING | OPMERKING |



Benaming
Title Apollonius 001

Opmerking
Comment Pionier

Datum
Date 18-11-2011

Tekening
Drawing

TOE PNR 010 001

Modules Modules

PNRE010.001

Pioneer Apollonius 001

LOGBOOK

(Onderstaand logboek kan gebruikt worden om te voldoen aan de eisen, gesteld in artikel 14 van het Warenwetbesluit Attractie- en Speeltoestellen)

| | |
|--|---|
| Type indication | Pioneer Play |
| Product code | PNRE010.001 |
| Name of equipment | Pionier Apollonius 001 |
| Maximum height of fall | 1,7 m |
| Year of construction | 2017 |
| Certificate | 05200116226 |
| inspection authority | Liftinstituut B.V. Buikslotermeerplein 381, A'dam - 1025 XE Amsterdam |
| Name manufacturer | BOERplay Hyacintstraat 2 - 4255 HX Nieuwendijk Phone: +31 (0)183 40 23 66 Fax: +31 (0)183 40 35 64 |
| name installer | _____ _____ |
| Description of equipment | Pioneer Apollonius 001 |
| Location of equipment | _____ |
| Data about the owner of the play equipment | |
| Name: | _____ |
| Address: | _____ |
| Postcode and town: | _____ |
| Contact person: | _____ |
| Telephone number: | _____ |
| Data about the administrator of the play equipment | |
| Name: | _____ |
| Address: | _____ |
| Postcode and town: | _____ |
| Contact person: | _____ |
| Telephone number: | _____ |

LOGBOOK

Inspection and maintenance intervals



| Nr. | Inspection | Maintenance | months between inspections |
|-----|--|--|----------------------------|
| 1 | Verify equipment's stability, junctions and missing parts. Inspect bolts, screws and nuts for absence, jams, corrosion and wear. | Add missing parts, secure joints, apply missing fixing agent and replace corroded parts. | 1 |
| 2 | Check suspension for wear. | Replace worn parts and/or remove non-functioning parts. | 1 |
| 3 | Inspect rotating parts such as hinges, rolling-element bearings, etc. for wear and acceptability. | Replace worn parts and/or remove non-functioning parts. | 1 |
| 4 | Check wood for splinters, unacceptable damage and signs of rot. Especially at ground level. | Repair damage. Replace affected wood. Smoothen splintered wood and sharp edges. | 1 |
| 5 | Inspect foundation for stability, tearing and coverage. | Restore foundation and covering material. | 3 |
| 6 | Examine rubber and synthetic parts for wear, damage and break. | Replace original parts. | 3 |
| 7 | Inspect metal for corrosion and damage in the coating. | Restore any damaged coating (after removing rust and applying primer). | 6 |
| 8 | Check ropes, cables, chains and nets for wear and damage. Steel cables and nets which are tensioned must be checked for tension. | Replace parts where necessary. Steel cables and nets must be tensioned. | 3 |
| 9 | Inspect equipment for unsafe changes and additions. | Remove unsafe additions and correct unsafe changes. | 1 |
| 10 | Inspect safety surfaces. | Restore and repair where necessary. | 1 |

Remarks

1. If used intensively, all points require extra attention.
2. Extreme weather conditions and locations may require a higher inspection frequency. Discuss this with the supplier.
3. Vandalism-sensitive locations require stricter inspections, possibly daily.
4. Check the terrain regularly for items that do not belong there, are unsafe or may be used wrongly. Examples are poisonous plants, glass shards, etc. Frequency depends on strain.
5. Remember that bad maintenance leads to unsafe conditions and notably faster impoverishment of the playground area.
6. Replacement parts can be ordered at the manufacturer with the part numbers on the module drawing. Drawings can be found in de user guide.
7. The impact area shall be provided with impact attenuating surface according to the specified falling height.
8. This list is conform the CEN-standard "playground equipment and surfacing NEN-EN 1176-7".

TYPE-EXAMINATION CERTIFICATE

Acting under the " Warenwetbesluit Attractie- en Speeltoestellen" issued by Liftinstituut B.V.
commissioned by departmental order, no. VGP/P&L 2456476 from 17 march 2004.

Certificate nr. : NL 05-2001-162-26 Revision nr.: 200116226

Description of the product : Playground equipment, Pionier

Trademark, type : Speelwijzer, PNR.....

Name and address of the manufacturer : Speelwijzer / Dhr R. van Veen
Postbus 345
5300 AH Zaltbommel

Name and address of the certificate holder : Speelwijzer / Dhr R. van Veen
Postbus 345
5300 AH Zaltbommel

Certificate issued on the basis of the following requirements : Warenwetbesluit Attractie- en Speeltoestellen 3 september 1996

Test laboratory : None

Date and number of the laboratory report : None

Date of type-examination : - t/m -

Annexes with this certificate :

Additional remarks :

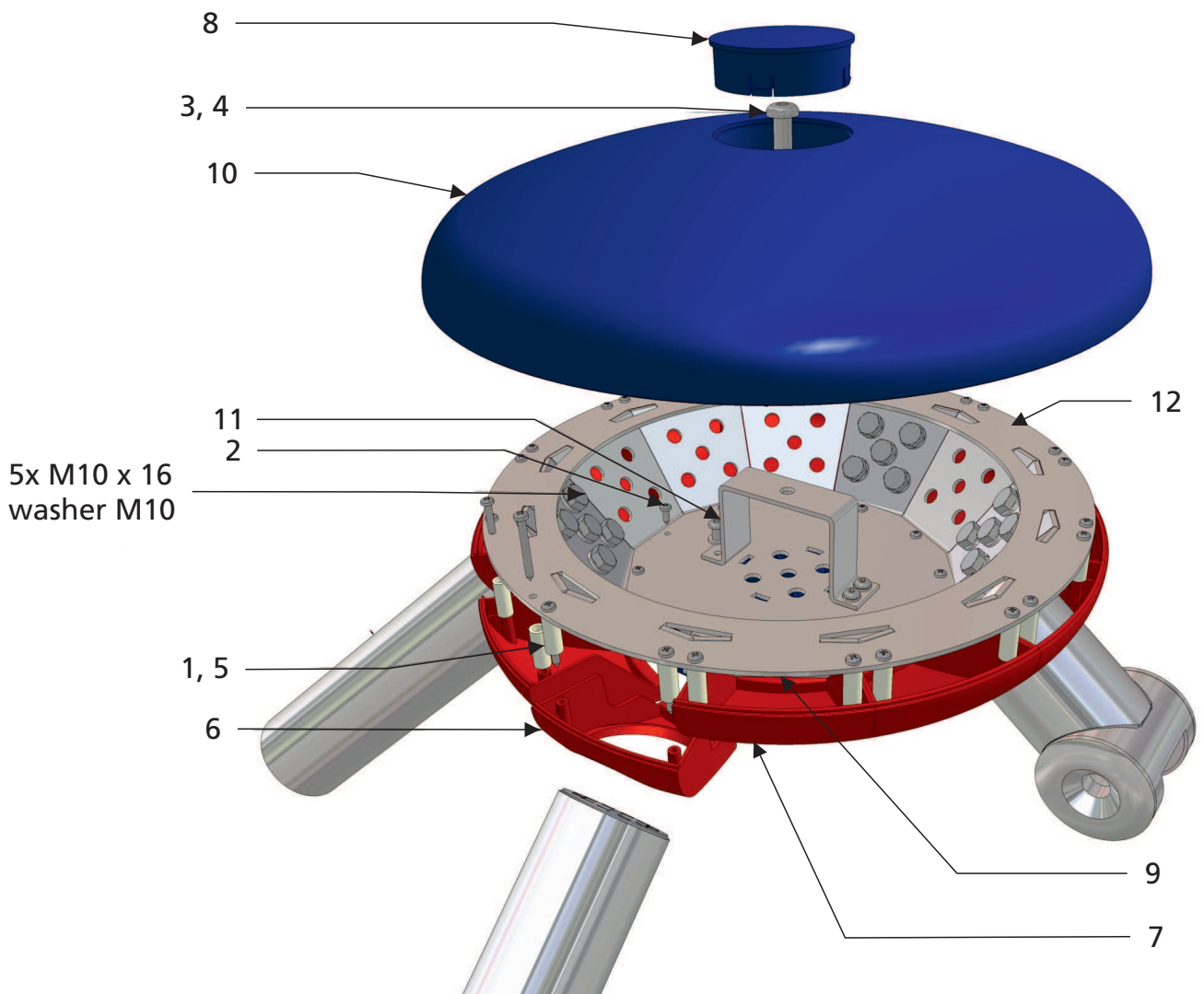
Conclusion : The playground equipment meets the requirements of the above specified European standard(s) and "Warenwetbesluit Attractie- en Speeltoestellen" taking into account any additional remarks mentioned above.



Issued in Amsterdam

Date of issue : Januari 28th, 2005

M. Dougué
Director
Liftinstituut B.V.



| | | | | | | | | |
|-----|----|------|-------|-----|------|---|------------------|-----------|
| 12 | 1 | SME | PNR | 003 | 320 | D | TOPMODULE | STAALDEEL |
| 11 | 1 | OME | PNR | 020 | 320 | A | BEUGEL | TOPMODULE |
| 10 | 1 | KST | PNR | 902 | 001 | - | BOVENDEKSEL | TOPMODULE |
| 9 | 1 | KST | PNR | 902 | 002 | - | ONDERDEKSEL | TOPMODULE |
| 8 | 2 | KST | PNR | 902 | 003 | - | VULDOP | TOPMODULE |
| 7 | 12 | KST | PNR | 902 | 005 | - | WISSELDEEL DICHT | TOPMODULE |
| 6 | 0 | KST | PNR | 902 | 004 | - | WISSELDEEL OPEN | TOPMODULE |
| 5 | 24 | KST | BUS | 006 | 025 | - | AFSTANDBUS | NYLON |
| 4 | 1 | BSR | 034 | 010 | 002 | - | VEERING | M10 |
| 3 | 1 | BSR | 023 | 010 | 040 | - | BOLKOPSCHROEF | M10 x 40 |
| 2 | 12 | BSR | 003 | 004 | 012 | - | PANCIL. SCHROEF | 4 x 12 |
| 1 | 24 | BSR | 003 | 004 | 040 | - | PANCIL. SCHROEF | 4 x 40 |
| POS | N | TYPE | PROJ. | NR. | BEH. | R | BENAMING | OPMERKING |

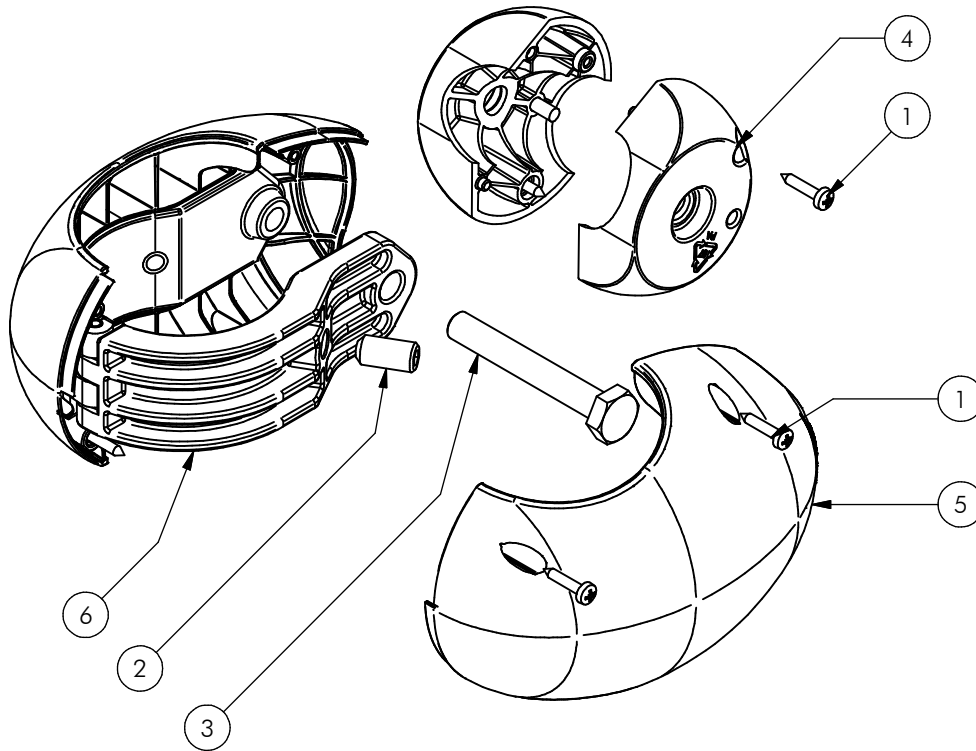
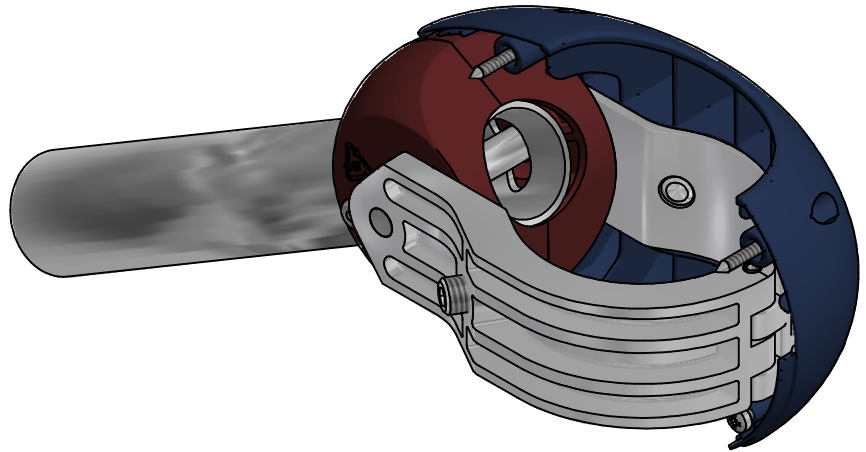


Benaming Title Topmodule
 Opmerking Comment Pionier
 Datum Date 5-10-2009

Tekening Drawing

MOD PNR 001 000

Samenstelling module Assembly module



| Nr | # | Type | Progr. | Volgnr | Bew. | Rev. | Benaming | Opmerking |
|----|---|------|--------|--------|------|------|-----------------|----------------------|
| 1 | 6 | BSR | 005 | 004 | 019 | | Zelfb. schroef | 3,5 x 19 - RVS A2-70 |
| 2 | 2 | BSR | 007 | 010 | 020 | | STELSCHROEF | KRATER M10x20 |
| 3 | 1 | BSR | 021 | 010 | 070 | | Zeskantbout | M10 x 70 - RVS A2-70 |
| 4 | 2 | KST | PNR | 010 | PA6 | | Vulbol helft | Pionier 2010 |
| 5 | 2 | KST | PRO | 901 | 001 | C | Schaaldeel Ei | Pionier |
| 6 | 1 | SME | PNR | 059 | ALU | | Beugel compleet | Ei-koppeling |



Benaming
Title Sumbmodule

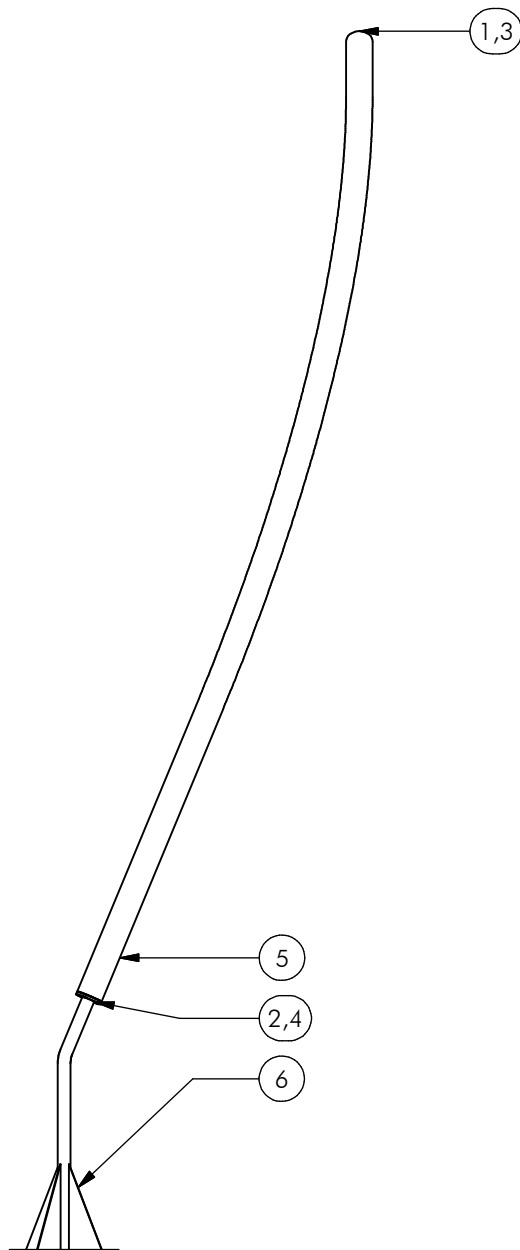
Opmerking
Comment EI 05

Datum
Date 13-7-2009

Tekening
Drawing

SMD PNR 005 000

Samenstelling module Assembly module



| | | | | | | | | |
|-----|---|------|-------|-----|------|---|--------------------|-------------|
| 6 | 1 | SME | PNR | 011 | 320 | B | GRONDANKER | KNIK |
| 5 | 1 | SME | PNR | 001 | 320 | B | STAANDER LANG | 50 GRADEN |
| 4 | 4 | KST | DOP | 006 | 030 | - | OPVULDOPJE | ZESKANT 6MM |
| 3 | 5 | BSR | 030 | 010 | 002 | - | Sluitring M10 | DIN 125 |
| 2 | 4 | BSR | 027 | 008 | 020 | - | CILINDERKOPSCHROEF | M8 x 20 |
| 1 | 5 | BSR | 021 | 010 | 016 | - | ZESKANTBOUT | M10 x 16 |
| POS | N | TYPE | PROJ. | NR. | BEH. | R | BENAMING | OPMERKING |



Benaming
Title: Staander

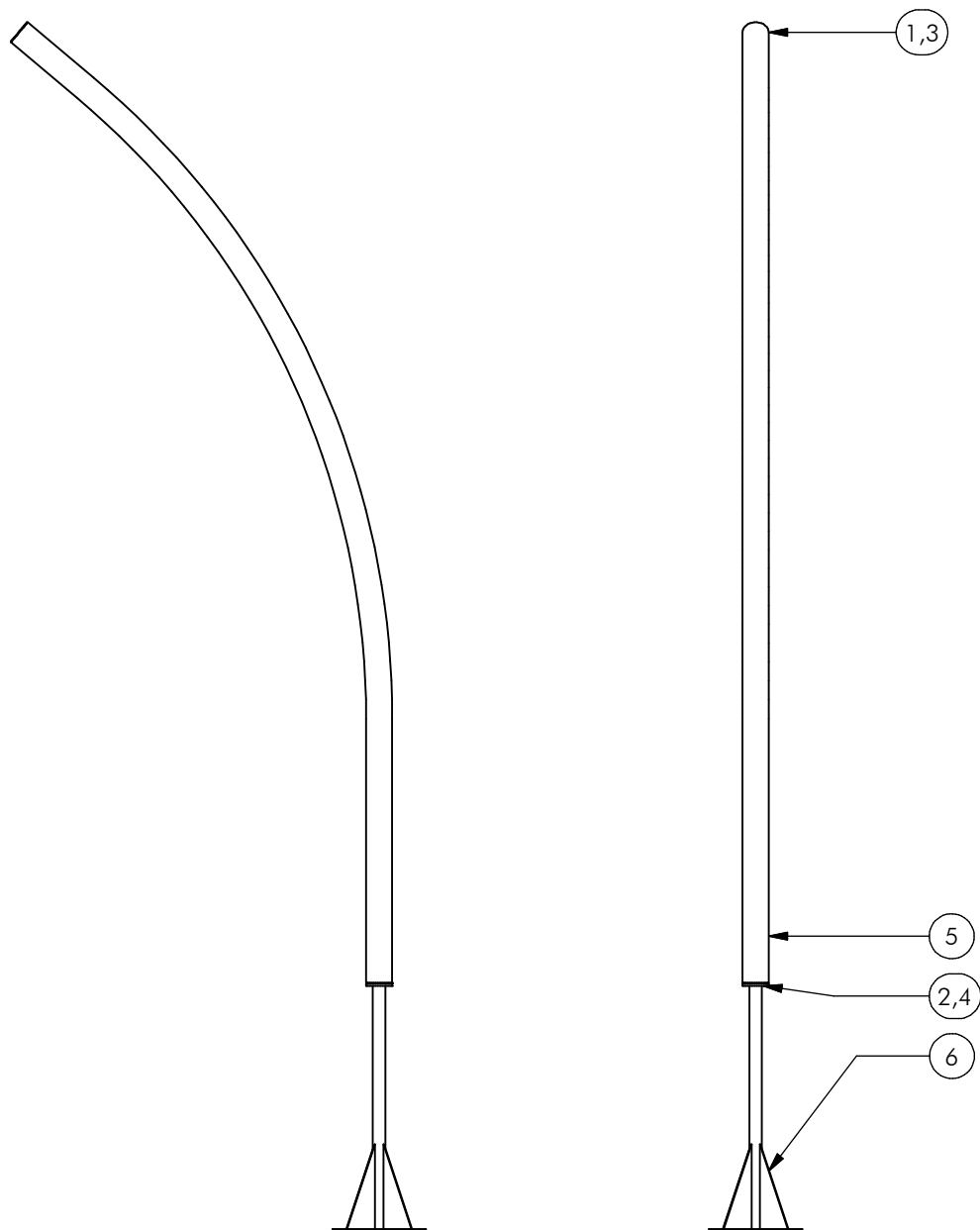
Opmerking
Comment: Stand 2

Datum
Date: 8-1-2009

Tekening
Drawing

MOD PNR 002 000

Samenstelling module Assembly module



| | | | | | | | | |
|-----|---|------|-------|-----|------|---|--------------------|-------------|
| 6 | 1 | SME | PNR | 007 | 320 | C | GRONDANKER | RECHT |
| 5 | 1 | SME | PNR | 002 | 320 | B | STAANDER KORT | 50 GRADEN |
| 4 | 4 | KST | DOP | 006 | 030 | - | OPVULDOPJE | ZESKANT 6MM |
| 3 | 5 | BSR | 030 | 010 | 002 | - | Sluitring M10 | DIN 125 |
| 2 | 4 | BSR | 027 | 008 | 020 | - | CILINDERKOPSCHROEF | M8 x 20 |
| 1 | 5 | BSR | 021 | 010 | 016 | - | ZESKANTBOUT | M10 x 16 |
| POS | N | TYPE | PROJ. | NR. | BEH. | R | BENAMING | OPMERKING |



Benaming
Title: Staander

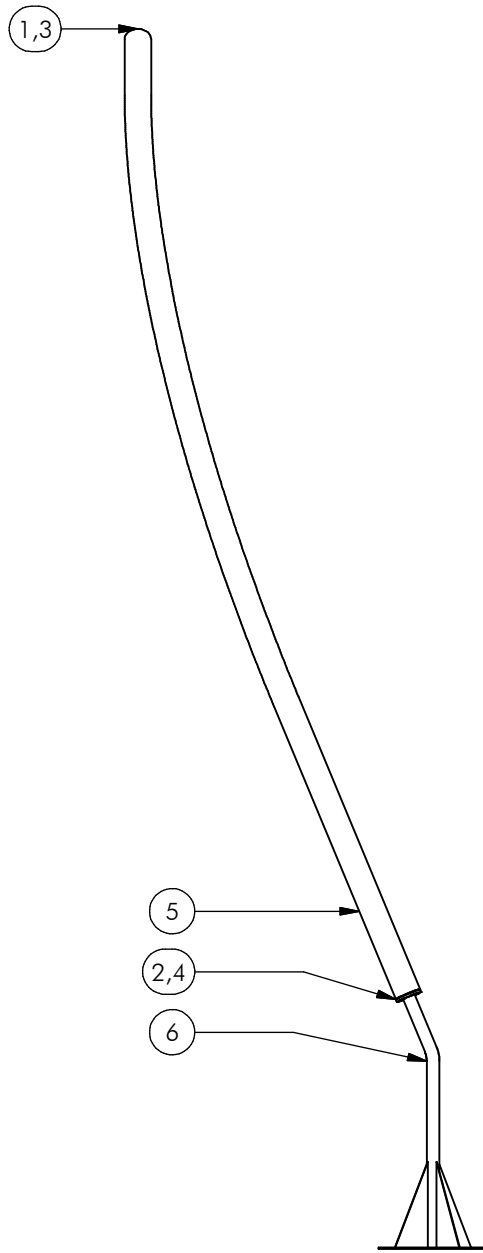
Opmerking
Comment: Stand 3

Datum
Date: 8-1-2009

Tekening
Drawing

MOD PNR 003 000

Samenstelling module *Assembly module*



| | | | | | | | | |
|-----|---|------|-------|-----|------|---|--------------------|-------------|
| 6 | 1 | SME | PNR | 011 | 320 | B | GRONDANKER | KNIK |
| 5 | 1 | SME | PNR | 001 | 320 | B | STAANDER LANG | 50 GRADEN |
| 4 | 4 | KST | DOP | 006 | 030 | - | OPVULDOPJE | ZESKANT 6MM |
| 3 | 5 | BSR | 030 | 010 | 002 | - | Sluitring M10 | DIN 125 |
| 2 | 4 | BSR | 027 | 008 | 020 | - | CILINDERKOPSCHROEF | M8 x 20 |
| 1 | 5 | BSR | 021 | 010 | 016 | - | ZESKANTBOUT | M10 x 16 |
| POS | N | TYPE | PROJ. | NR. | BEH. | R | BENAMING | OPMERKING |



Benaming
Title | Staander

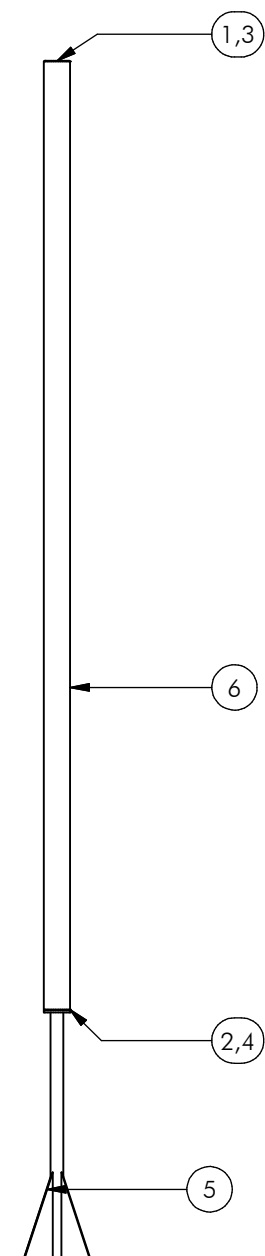
Opmerking
Comment | Stand 4

Datum
Date | 8-1-2009

Tekening
Drawing

MOD PNR 004 000

Samenstelling module Assembly module



| | | | | | | | | |
|-----|---|------|-------|-----|------|---|--------------------|-------------|
| 6 | 1 | SME | PNR | 010 | 320 | D | MIDDENSTAANDER | RECHT |
| 5 | 1 | SME | PNR | 007 | 320 | C | GRONDANKER | RECHT |
| 4 | 4 | KST | DOP | 006 | 030 | - | OPVULDOPJE | ZESKANT 6MM |
| 3 | 5 | BSR | 030 | 010 | 002 | - | Sluitring M10 | DIN 125 |
| 2 | 4 | BSR | 027 | 008 | 020 | - | CILINDERKOPSCHROEF | M8 x 20 |
| 1 | 5 | BSR | 021 | 010 | 016 | - | ZESKANTBOUT | M10 x 16 |
| POS | N | TYPE | PROJ. | NR. | BEH. | R | BENAMING | OPMERKING |



Benaming
Title: Staander

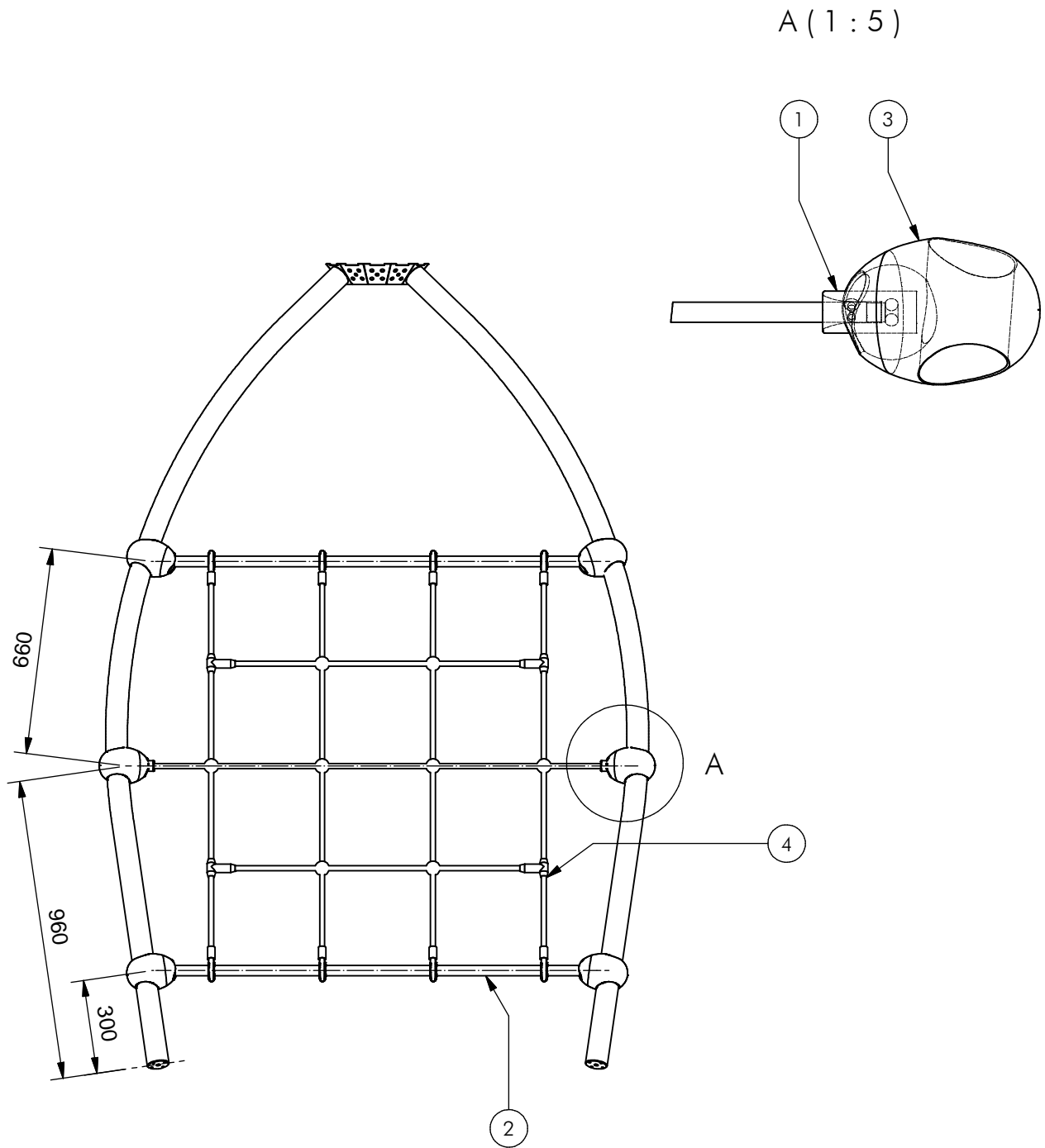
Opmerking
Comment: Midden stand 0

Datum
Date: 8-1-2009

Tekening
Drawing

MOD PNR 010 000

Samenstelling module *Assembly module*



| | | | | | | | | |
|-----|---|------|-------|-----|------|---|----------------|---------------|
| 4 | 1 | SNT | PNR | 002 | 016 | B | Klimnet | Vertikaal 432 |
| 3 | 6 | SMD | PNR | 005 | 000 | | Submodule | EI 05 |
| 2 | 2 | OME | PNR | 104 | 320 | A | Netbuis | Groot net 432 |
| 1 | 2 | KST | PNR | 011 | POM | | Insteek Netbus | tbv "EI 05" |
| POS | N | TYPE | PROJ. | NR. | BEH. | R | BENAMING | OPMERKING |



Benaming
Title Klimnet

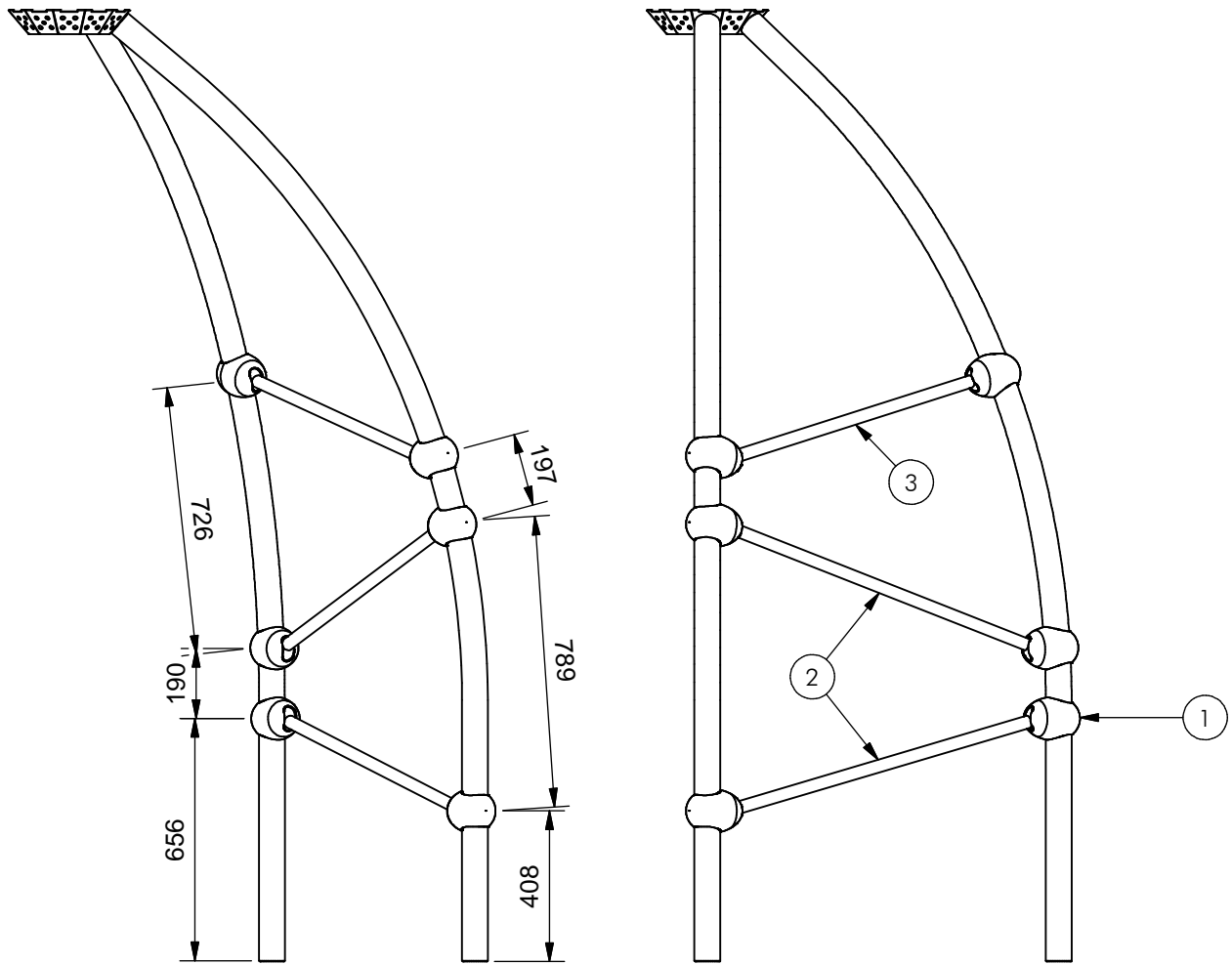
Opmerking
Comment 442

Datum
Date 12-8-2010

Tekening
Drawing

MOD PNR 301 442

Samenstelling module *Assembly module*



| | | | | | | | | |
|-----|---|------|-------|-----|------|---|----------------------|--------------------|
| 3 | 1 | OME | PNR | 130 | 086 | | Klimstang PNR 33.7x2 | Lengte 860 cm HOH |
| 2 | 2 | OME | PNR | 130 | 100 | | Klimstang PNR 33.7x2 | Lengte 1000 cm HOH |
| 1 | 6 | SMD | PNR | 005 | 000 | | Submodule | EI 05 |
| POS | N | TYPE | PROJ. | NR. | BEH. | R | BENAMING | OPMERKING |



Benaming
Title Buizenwand

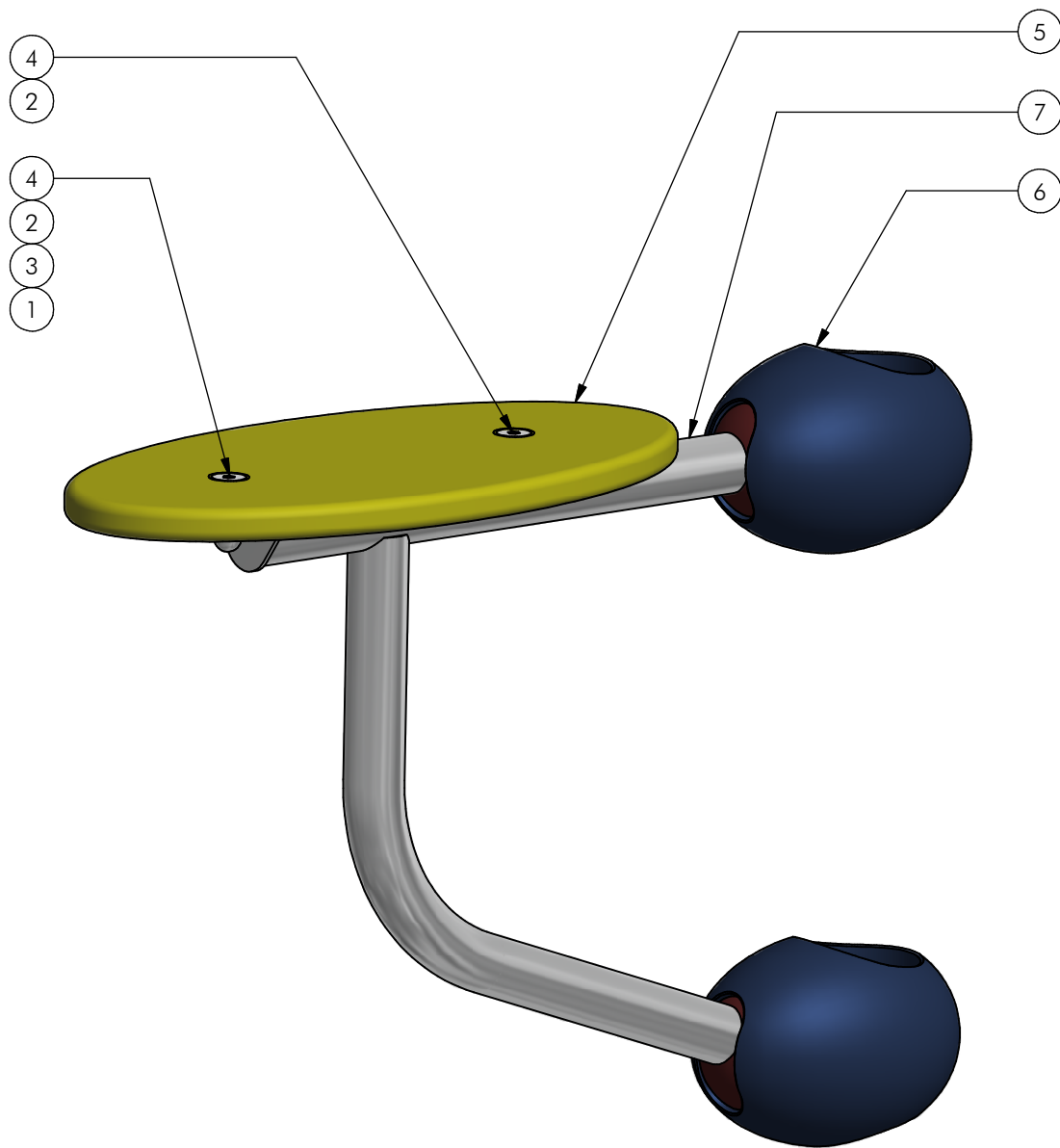
Opmerking
Comment Zig-zag

Datum
Date 8-1-2009

Tekening
Drawing

MOD PNR 311 323

Samenstelling module *Assembly module*



| Nr | # | Type | Progr. | Volgnr | Bew. | Rev. | Benaming | Opmerking |
|----|---|------|--------|--------|------|------|----------------|----------------------|
| 1 | 1 | BSR | 011 | 010 | 020 | | Borgdopmoer | M10 - RVS A2-70 |
| 2 | 2 | BSR | 024 | 010 | 030 | | Verzonken bout | M10 x 30 - RVS A2-70 |
| 3 | 1 | BSR | 030 | 010 | 002 | | SLUITRING | M10 |
| 4 | 2 | KST | DOP | 006 | 030 | | OPVULDOPJE | 6 MM ROOD |
| 5 | 1 | OPE | PNR | 006 | 010 | A | ZITPLAAT | ZITJE |
| 6 | 2 | SMD | PNR | 005 | 000 | | Submodule | EI 05 |
| 7 | 1 | SME | PNR | 025 | 320 | F | Beugel zitje | Recht |



Benaming
Title Zitje

Opmerking
Comment Recht

Datum
Date 28-10-2013

Tekening
Drawing

MOD PNR 323 000 A
Samenstelling module Assembly module