



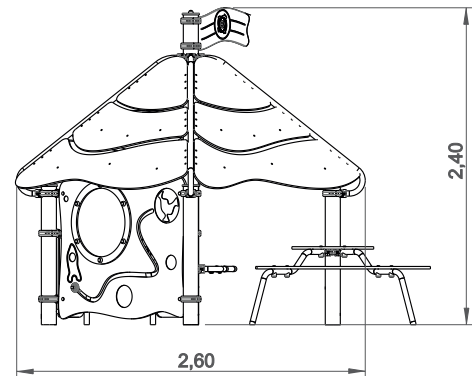
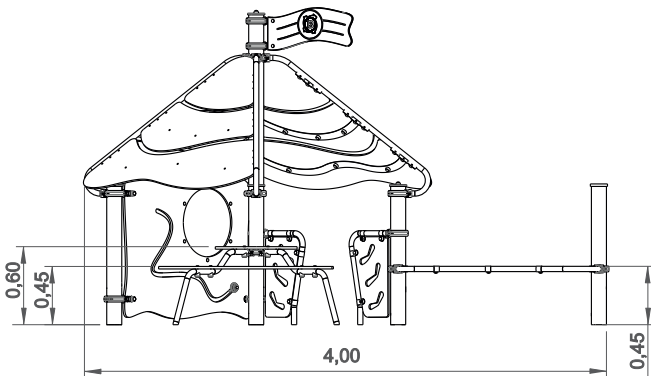
# SANDVIK PLAY

## SPACE

14-ELUNIO30



31m <sup>2</sup>	0,45m	3-14	11



Utilização do equipamento sujeito a condições vigiadas; Zona de segurança: Área mínima requerida pela norma EN 1176-1,6  
Utilización del equipo sujeto a condiciones vigiladas; Zona de seguridad: Área mínima requerida por la norma EN 1176-1,6  
Use of equipment subject to supervised conditions; Safety zone: Minimum area required by EN 1176-1,6  
Utilisation d'équipement soumis à des conditions supervisées; Zone de sécurité: Surface minimale requise par l'EN 1176-1,6


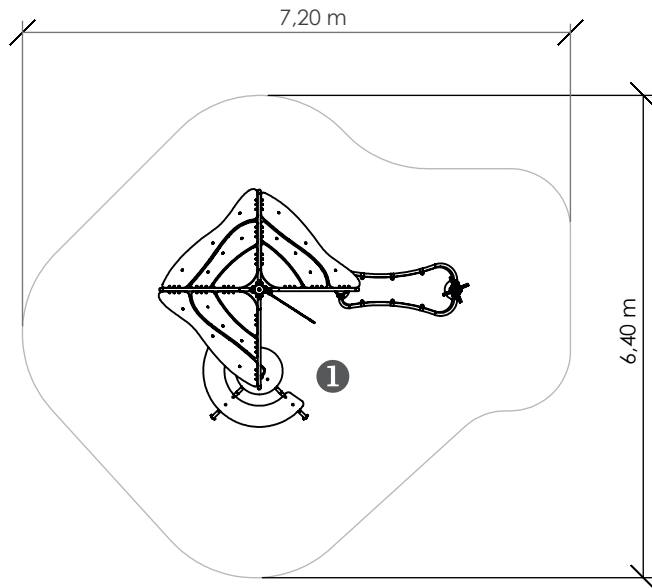



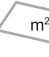

GB.047.01

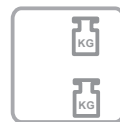
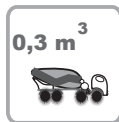
— Zona de impacto

- - Espaço livre



EN 1176-1,3

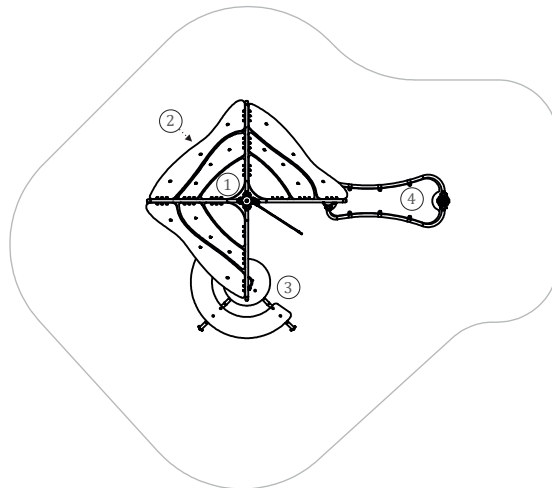



.....	1
	0,45
	31
	31



INFORMAÇÃO TÉCNICA / INFORMACIÓN TÉCNICA / TECHNICAL INFORMATION / INFORMATIONS TECHNIQUES

- 1 - Casinha Space  0.45m
- 2 - Painel Lúdico
- 3 - Mesa/Banco  0.45m
- 4 - Banco Space  0.45m





Panels

HDPE: High density polyethylene mono or two color. Being a polymer is characterized by its resistance to chemicals and corrosion. Due to its elasticity and lightness, it offers high impact resistance and is very difficult to break. The non-slip surface provides safety for children and its synthetic base prevents the growth of bacteria and fungi. It does not require any maintenance;

Acrylic: composed of 70% conifer fibers and 30% thermosetting resin, resistant to bad weather (sun, rain, humidity, etc.);

Metal parts

Tubes: Stainless steel AISI 304 of Ø40mm and Ø114mm;

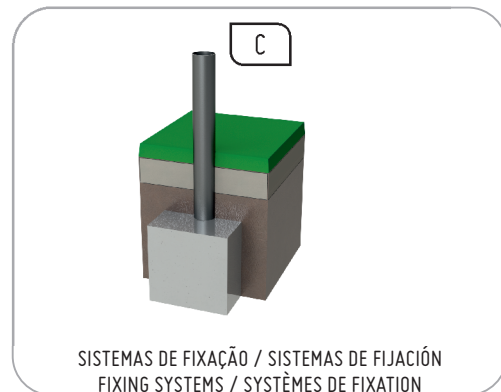
Fixation System:

Type C - Standard composed of plumbing applied directly to the ground and cast with concrete;

Screws and accessories

Screws: Zinc-plated steel or optionally AISI 304 stainless steel;

Capsules: PP polypropylene plastic;



**Have fun:** While having fun, children acquire immense physical abilities to social interactions.



**Socializing:** Socialization and imagination are necessary throughout the game. All this creates a relationship between children and awakens the sense of coexistence and solidarity.



**Play:** Develops patience, sharing and sporting spirit.