



SANDVIK PLAY

BOMBOLETA 2

14-ELESC002



24,68m²



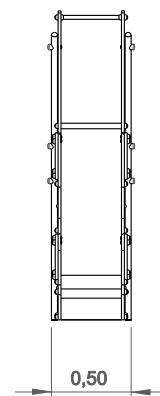
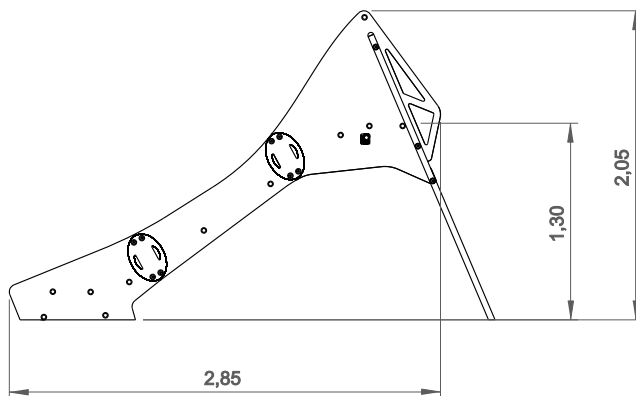
1,30m



2-8



04



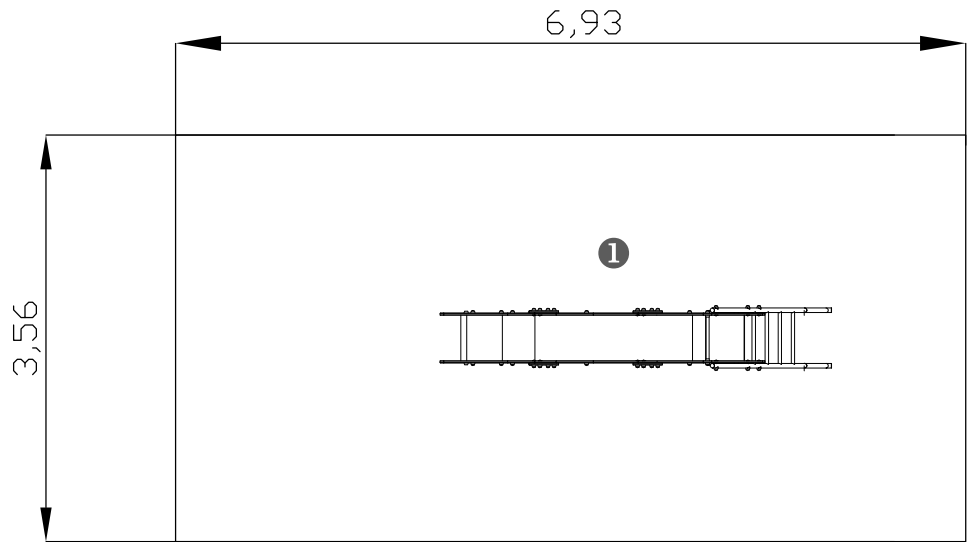
Utilização do equipamento sujeito a condições vigiadas; Zona de segurança: Área mínima requerida pela norma EN 1176-1,3
Utilización del equipo sujeto a condiciones vigiladas; Zona de seguridad: Área mínima requerida por la norma EN 1176-1,3
Use of equipment subject to supervised conditions; Safety zone: Minimum area required by EN 1176-1,3
Utilisation d'équipement soumis à des conditions supervisées; Zone de sécurité: Surface minimale requise par l'EN 1176-1,3



— Zona de impacto

- - Espaço livre

EN 1176-1,3

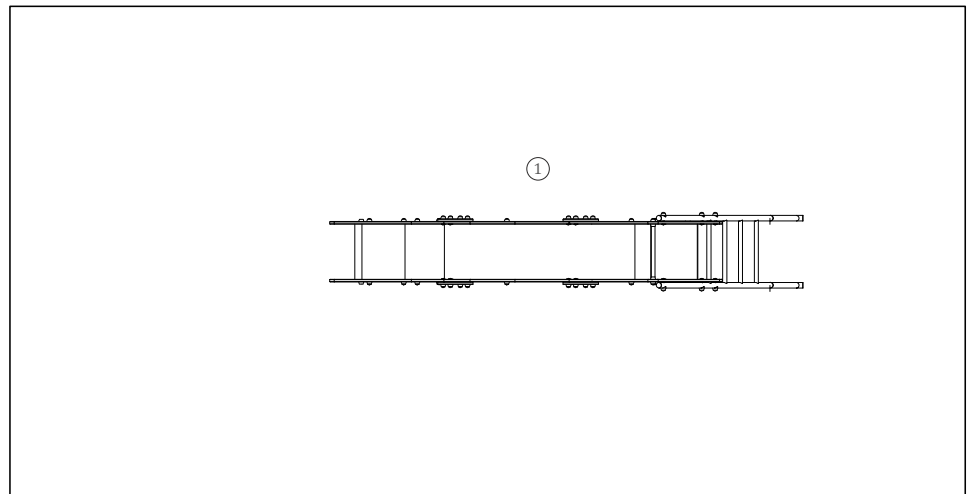


.....	①
1,30	
24.68	
24.68	



INFORMAÇÃO TÉCNICA / INFORMACIÓN TÉCNICA / TECHNICAL INFORMATION / INFORMATIONS TECHNIQUES

1 - Escorrega 1.30m





Panels

HDPE: High density polyethylene mono or two color. Being a polymer is characterized by its resistance to chemicals and corrosion. Due to its elasticity and lightness, it offers high impact resistance and is very difficult to break. The non-slip surface provides safety for children and its synthetic base prevents the growth of bacteria and fungi. It does not require any maintenance;

Metal parts

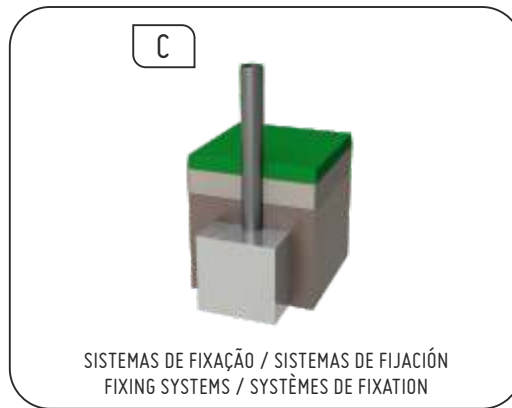
Sliding surface: AISI 304 stainless steel plate, folded and rolled in one piece;
Pipes: Stainless Steel: AISI 304 of Ø40mm;

Fixation System:

Type C – Standard fixing system composed of plumbing applied directly to the ground and cast with concrete;

Screws and accessories

Screws: Zinc-plated steel or optionally AISI 304 stainless steel;
Capsules: PP polypropylene plastic;



FUNÇÕES LÚDICAS/ FUNCIONES LÚDICAS / RECREATIONAL FUNCTIONS / FONCTIONS RÉCRÉATIVES



Fun: While having fun, children acquire immense abilities, from physical abilities to social interactions.



Socialize: Socialization and imagination are necessary throughout the game. All this creates a relationship between children and awakens the sense of coexistence and solidarity.



Play: Develops patience, sharing and sporting spirit.



Slide: The sloping surface allows the child to slide at high speed. The sensation of speed makes them feel alive and learn to control their movements by exercising reflexes and motor skills.

