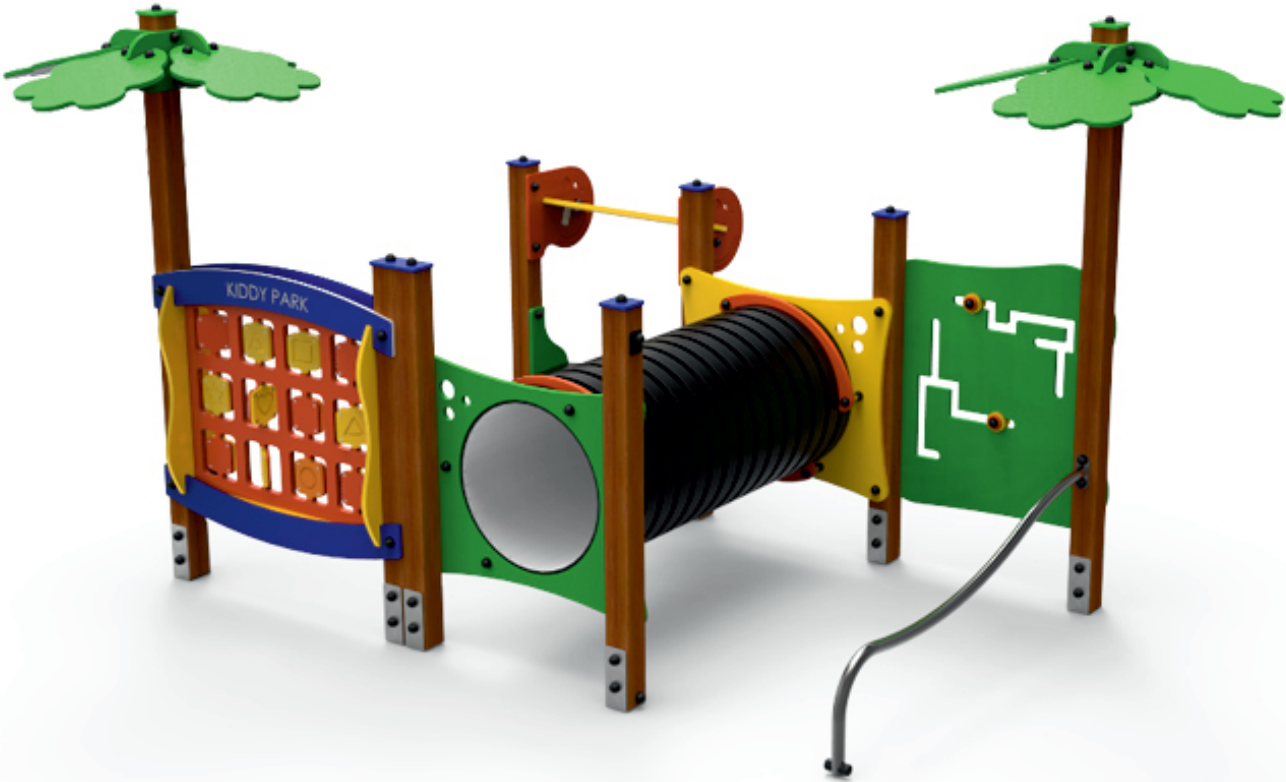




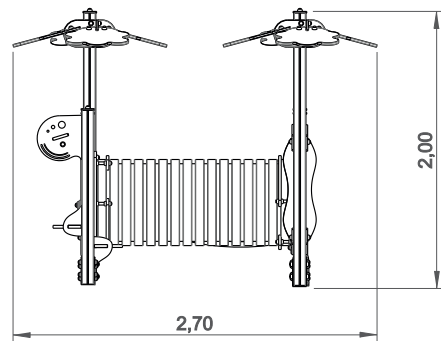
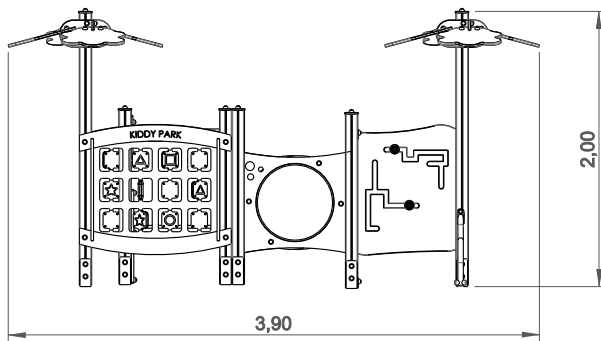
SANDVIK PLAY

DOMINO II

14-ELKID010




29m ²	0.60m	0,5-6	7

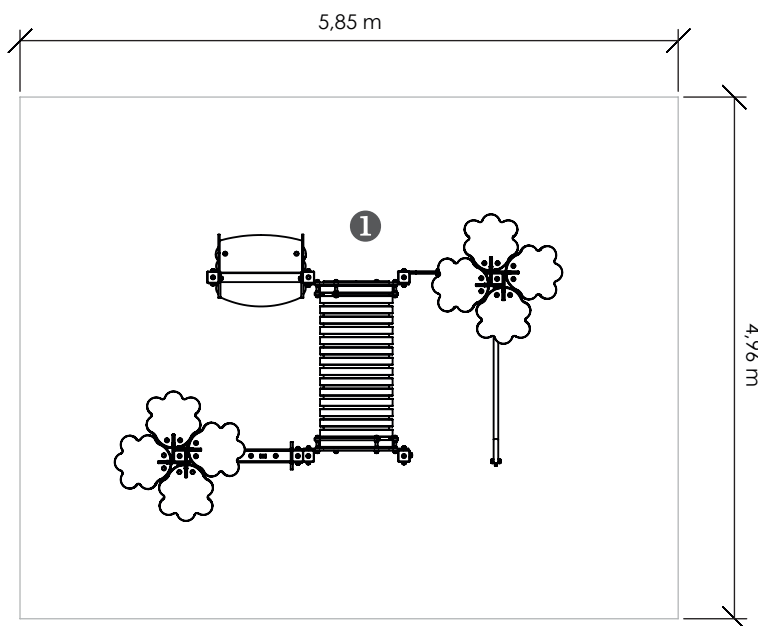



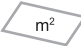
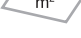
Utilização do equipamento sujeito a condições vigiadas; Zona de segurança: Área mínima requerida pela norma EN 1176-1,6
 Utilización del equipo sujeto a condiciones vigiladas; Zona de seguridad: Área mínima requerida por la norma EN 1176-1,6
 Use of equipment subject to supervised conditions; Safety zone: Minimum area required by EN 1176-1,6
 Utilisation d'équipement soumis à des conditions supervisées; Zone de sécurité: Surface minimale requise par l'EN 1176-1,6

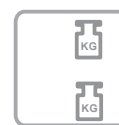


— Zona de impacto
 - - Espaço livre




EN 1176-1,3 

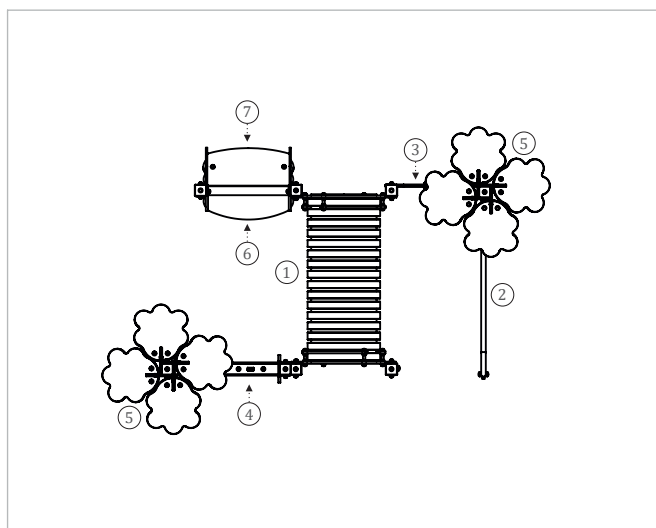


.....	①
	0,60
	29
	29



INFORMAÇÃO TÉCNICA / INFORMACIÓN TÉCNICA / TECHNICAL INFORMATION / INFORMATIONS TECHNIQUES

- 1 - Túnel  0.60m
- 2 - Corrimão
- 3 - Jogo do Labirinto
- 4 - Jogo das Formas
- 5 - Árvore
- 6 - Banco  0.40m
- 7 - Banca  0.60m





Plums

Wood: Laminated pine classified with guarantee quality by continuous internal control.

With autoclave treatment, protecting it from attacks of mushrooms, insects and termites. Water-based paint finish specially developed to protect wood from moisture, weather and U.V. rays. Contains active principles that give it a protective barrier against the appearance of fungi and molds;

Panels

HDPE: High density polyethylene mono or two color. Being a polymer is characterized by its resistance to chemicals and corrosion. Due to its elasticity and lightness, it offers high impact resistance and is very difficult to break. The non-slip surface provides safety for children and its synthetic base prevents the growth of bacteria and fungi. It does not require any maintenance;

Plastic parts

Tunnel: In corrugated tube made of polypropylene in accordance with EN 13476;

Metal parts

Pipes: Stainless steel AISI 304 Ø54mm;

Fixation System

allow their placement on the ground without the wood coming into direct contact with the earth. The bottom of these fastening systems are anchored to the ground. Manufactured in galvanized sheet steel;

Type A – Standard fixing system composed of metal base embedded in the ground and cast with concrete;

Type B – Standard fastening system consisting of metal base bolted to the ground with metal bushings;

Type C – Standard fixing system composed of plumbing applied directly to the ground and cast with concrete;

Screws and accessories

Screws: Zinc-plated steel or optionally AISI 304 stainless steel;

Capsules: PP polypropylene plastic;



DECORATIVE PROTECTORS:



Penetrates deep into wood highlighting and embellishing the wood with their special transparent colors



Easy maintenance. No sanding or pickling is required for the application of new layers.



Very resistant to sun. Contains absorbent micronized pigments and UV stabilizers.



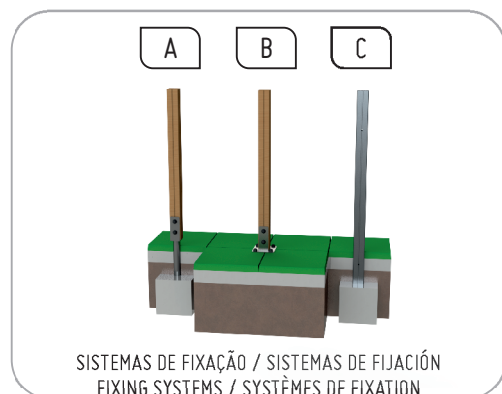
Giving the film a protective barrier against fungi and molds



Microporous, let the wood breathe and prevents the natural deformations of the wood.



protects against moisture, rain and waterproof.





Fun: While having fun, children acquire immense abilities, from physical abilities to social interactions.



Socializing: Socialization and imagination are necessary throughout the game. All this creates a relationship between children and awakens the sense of coexistence and solidarity.



Play: Develops patience, sharing and sporting spirit.