



Adventure Play

PSTE000.080

Tumble bar solo



PSTE000.080

Tumble bar solo



1



4 - 12



1.1 x 0.2 x 1.0 m



3.1 x 2.1 m



3.1 x 2.1 m



0.9 m

Playfunctions

Tumbling

Material

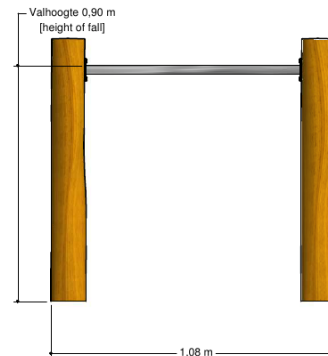
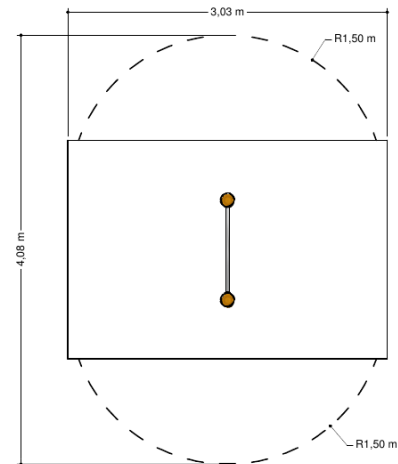
Made of irregularly shaped Acacia Robinia FSC certified wood. This European hardwood had a sustainability of class I according to EN 350 and is free of sapwood. The timber units are finished with stainless steel components 340 / K320-ground quality.

Anchorage

Galvanized steel base plates

Comments

The impact area must have impact absorbing properties belonging to the specified free height of fall. The obstacle-free zone shall be completely free of obstacles.



Opvangzone Impact area

WAS, Dutch law

EN1176

Obstakelvrije zone Obstacle free zone

WAS, Dutch law

EN1176

