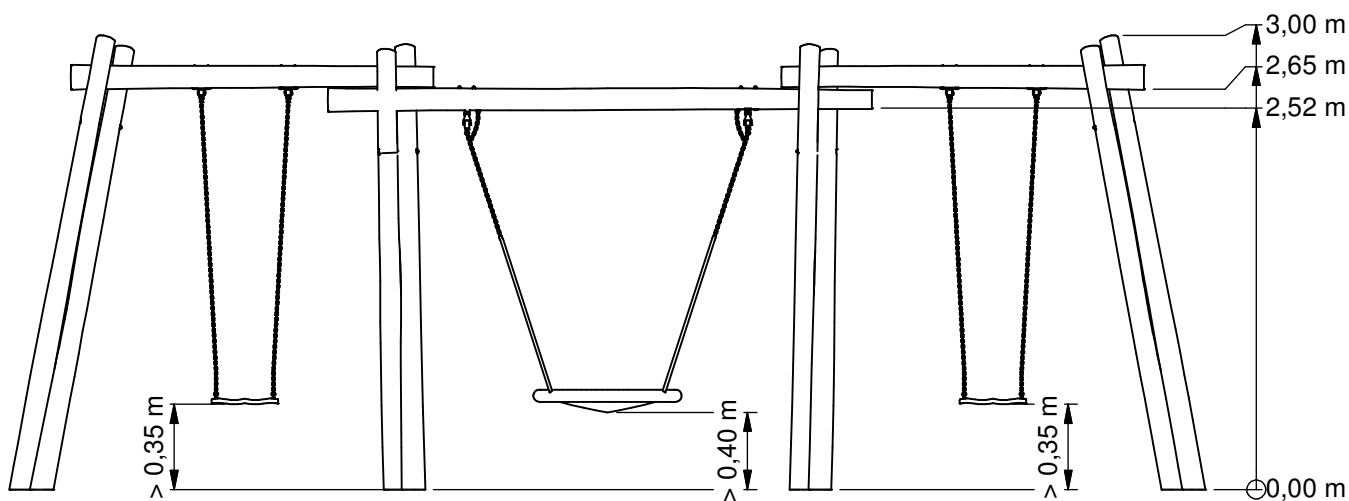
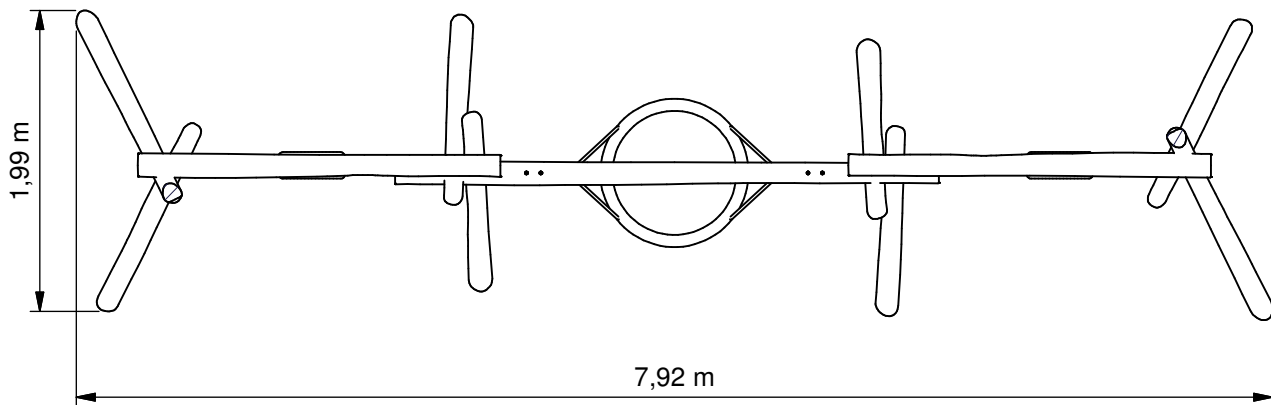


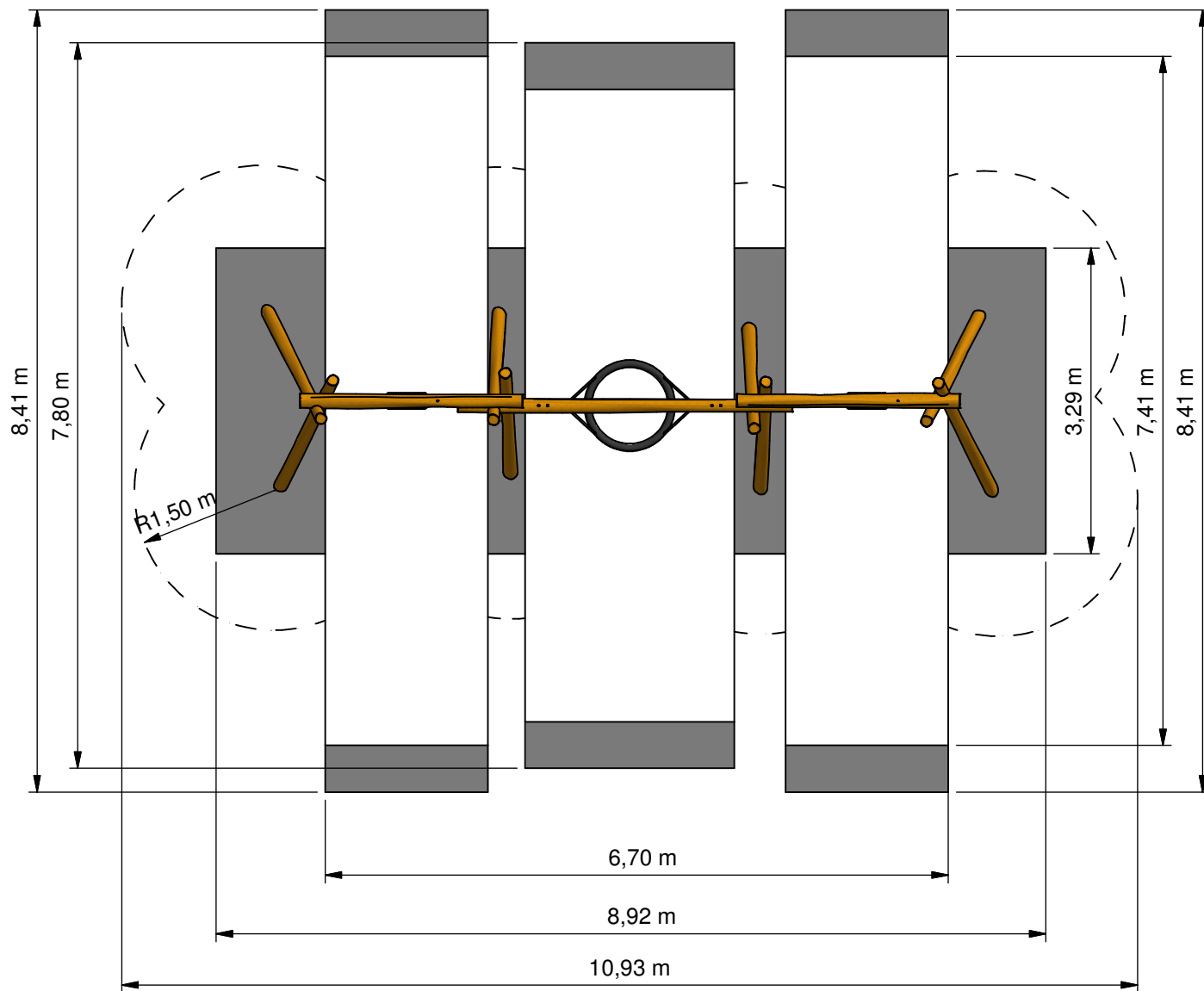


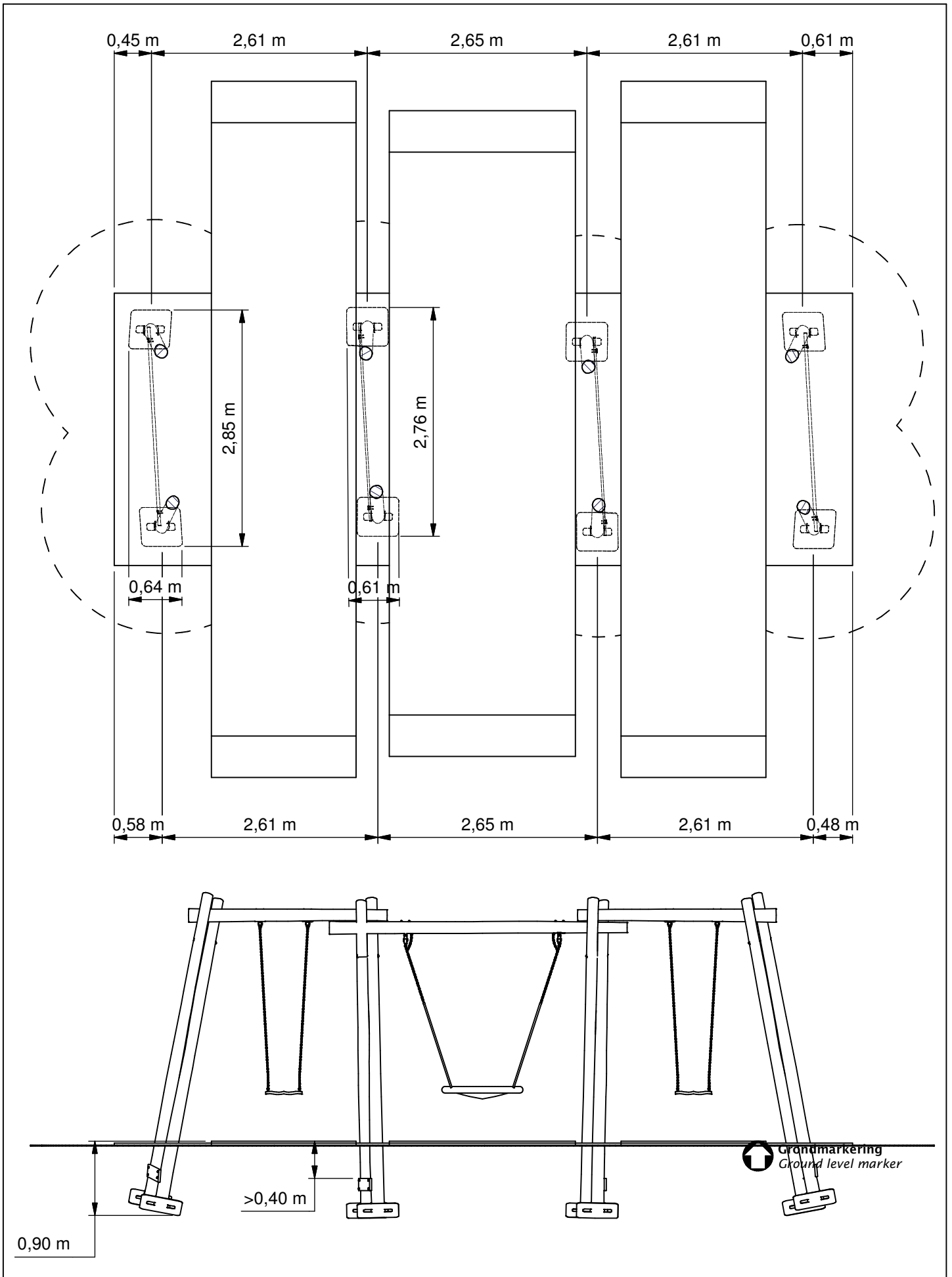
Trio Swing XL



PSTE000.025







Benaming
Title Trio Schommel XL

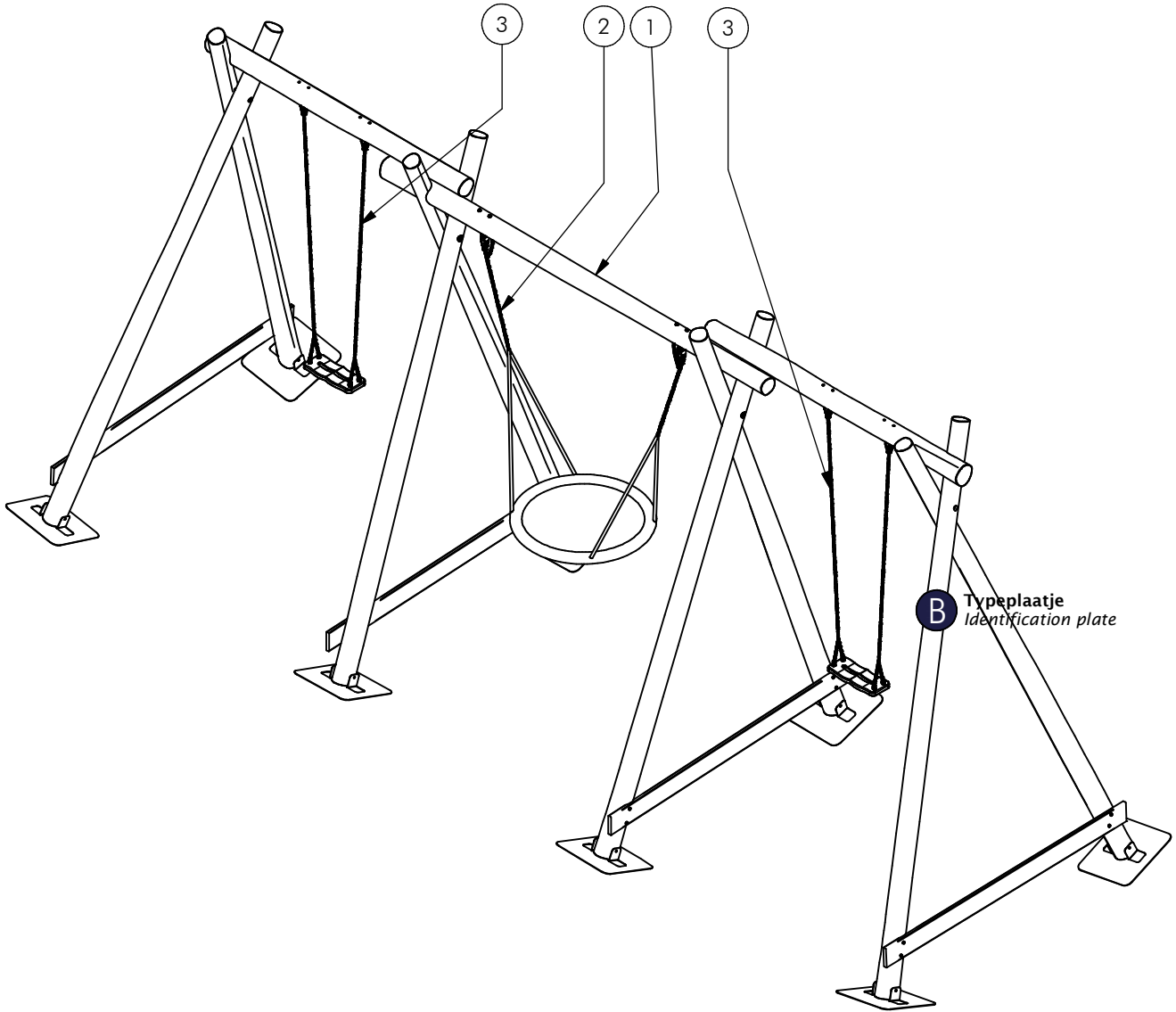
Opmerking
Comment Adventure Play

Datum
Date 13-7-2015

Tekening
Drawing

TOE PST 000 025 C

Bodemplan Groundplan



Nr	#	Type	Progr.	Volgnr	Bew.	Rev.	Benaming	Opmerking
1	1	MOD	PST	001	013	B	Duo XL SCHM Frame trio	Adventure Play
2	1	MOD	PST	003	001		PST - Vogelnest 1,0 m	Schommelzitje
3	2	MOD	PST	003	002		Schommelzitje	Ketting 2,0 m



Benaming
Title | Trio Schommel XL

Opmerking
Comment | Adventure Play

Datum
Date | 13-7-2015

Tekening
Drawing

TOE PST 000 025 C

Modules Modules

Geleverde delen:

- A - bovenbalk met vogelnest
- B - driehoekframe 01
- C - driehoekframe 02 (2x)
- D - driehoekframe 03
- E - bovenbalk met schommel (2x)

Bevestiging sets:

- 1 - M12 draadeind met moeren

Montagevolgorde:

- 1 - graaf de gaten volgens het bodemplan en plaats hierin de frames B en C
- 2 - plaats E op de frames en bevestig met 1
- 3 - plaats het tweede frame C en frame D
- 4 - plaats en bevestig hierop bovenbalk E met 1
- 5 - plaats balk A en bevestig met 1
- 6 - controleer of het toestel voldoet aan de afmetingen zoals op blad 'afmetingen'
- 7 - dicht de gaten en verdicht het zand

Controles:

- 1 - correcte opbouw en alle bevestigingsmiddelen
- 2 - de vrije hoogte onder het vogelnest en de schommels (>40 cm)
- 3 - controleer de afmetingen van de valbodem t.o.v. het toestel

Supplied parts:

- A - upper beam with birdnest
- B - triangle frame 01
- C - triangle frame 02 (2x)
- D - triangle frame 03
- E - upper beam with swing (2x)

Mounting kits:

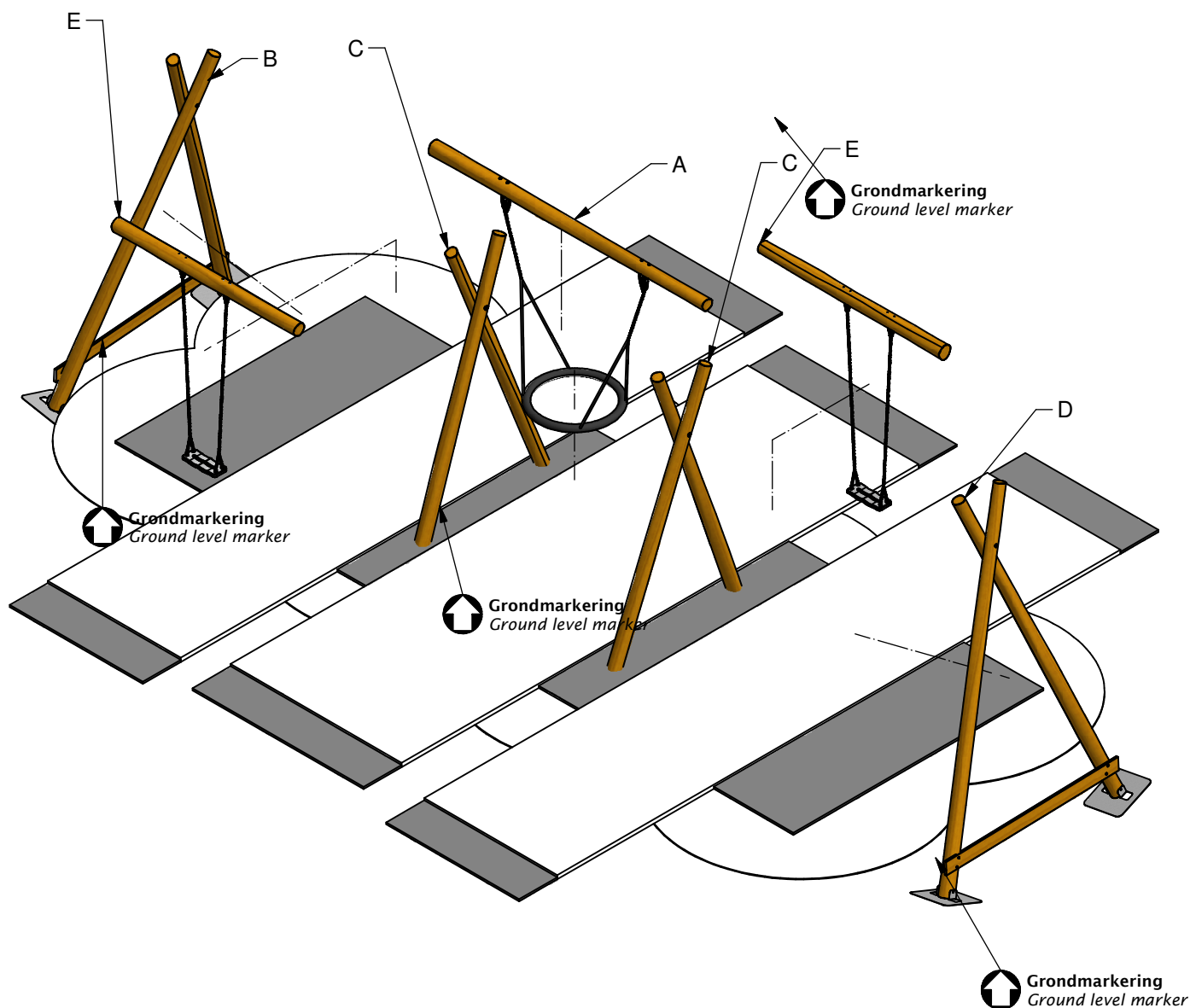
- 1 - M12 threaded rod with nuts

Assembly sequence:

- 1 - dig the holes according to the ground plan and place the frames B and C
- 2 - place E on the frames and fix with 1
- 3 - place frame D and the second frame C
- 4 - place and mount beam E with 1 on top
- 5 - place beam A on top and fixate with 1
- 6 - check that the equipment conforms to the dimensions shown on sheet 'dimensions'
- 7 - close the holes and compact the sand

Checks:

- 1 - correct assembly and all the fasteners
- 2 - the free height underneath the birdnest and swing (>40 cm)
- 3 - check the dimensions of the safety area compared to the play equipment



PSTE000.025

Trio Swing XL

LOGBOOK

(Onderstaand logboek kan gebruikt worden om te voldoen aan de eisen, gesteld in artikel 14 van het Warenwetbesluit Attractie- en Speeltoestellen)

Type indication	Adventure Play
Product code	PSTE000.025
Name of equipment	Trio Schommel XL
Maximum height of fall	1,5 m
Year of construction	2017
Certificate	031376
inspection authority	TUV Nederland QA BV De Waal 21c, Best - 5684 PH Best
Name manufacturer	BOERplay Hyacintstraat 2 - 4255 HX Nieuwendijk Phone: +31 (0)183 40 23 66 Fax: +31 (0)183 40 35 64
name installer	_____ _____
Description of equipment	Trio Swing XL
Location of equipment	_____
Data about the owner of the play equipment	
Name:	_____
Address:	_____
Postcode and town:	_____
Contact person:	_____
Telephone number:	_____
Data about the administrator of the play equipment	
Name:	_____
Address:	_____
Postcode and town:	_____
Contact person:	_____
Telephone number:	_____

LOGBOOK

Inspection and maintenance intervals



Nr.	Inspection	Maintenance	months between inspections
1	Verify equipment's stability, junctions and missing parts. Inspect bolts, screws and nuts for absence, jams, corrosion and wear.	Add missing parts, secure joints, apply missing fixing agent and replace corroded parts.	1
2	Check suspension for wear.	Replace worn parts and/or remove non-functioning parts.	1
3	Inspect rotating parts such as hinges, rolling-element bearings, etc. for wear and acceptability.	Replace worn parts and/or remove non-functioning parts.	1
4	Check wood for splinters, unacceptable damage and signs of rot. Especially at ground level.	Repair damage. Replace affected wood. Smoothen splintered wood and sharp edges.	1
5	Inspect foundation for stability, tearing and coverage.	Restore foundation and covering material.	3
6	Examine rubber and synthetic parts for wear, damage and break.	Replace original parts.	3
7	Inspect metal for corrosion and damage in the coating.	Restore any damaged coating (after removing rust and applying primer).	6
8	Check ropes, cables, chains and nets for wear and damage. Steel cables and nets which are tensioned must be checked for tension.	Replace parts where necessary. Steel cables and nets must be tensioned.	3
9	Inspect equipment for unsafe changes and additions.	Remove unsafe additions and correct unsafe changes.	1
10	Inspect safety surfaces.	Restore and repair where necessary.	1

Remarks

1. If used intensively, all points require extra attention.
2. Extreme weather conditions and locations may require a higher inspection frequency. Discuss this with the supplier.
3. Vandalism-sensitive locations require stricter inspections, possibly daily.
4. Check the terrain regularly for items that do not belong there, are unsafe or may be used wrongly. Examples are poisonous plants, glass shards, etc. Frequency depends on strain.
5. Remember that bad maintenance leads to unsafe conditions and notably faster impoverishment of the playground area.
6. Replacement parts can be ordered at the manufacturer with the part numbers on the module drawing. Drawings can be found in de user guide.
7. The impact area shall be provided with impact attenuating surface according to the specified falling height.
8. This list is conform the CEN-standard "playground equipment and surfacing NEN-EN 1176-7".

Warenwet

Certificaat van Typeonderzoek Type Examination Certificate


afgegeven door issued by

TÜV Nederland QA BV

aangewezen bij ministeriële beschikking van
4 mei 2012, nr. VGP 31 13590

commissioned by departmental order
of 4 May 2012, no. VGP 31 13590

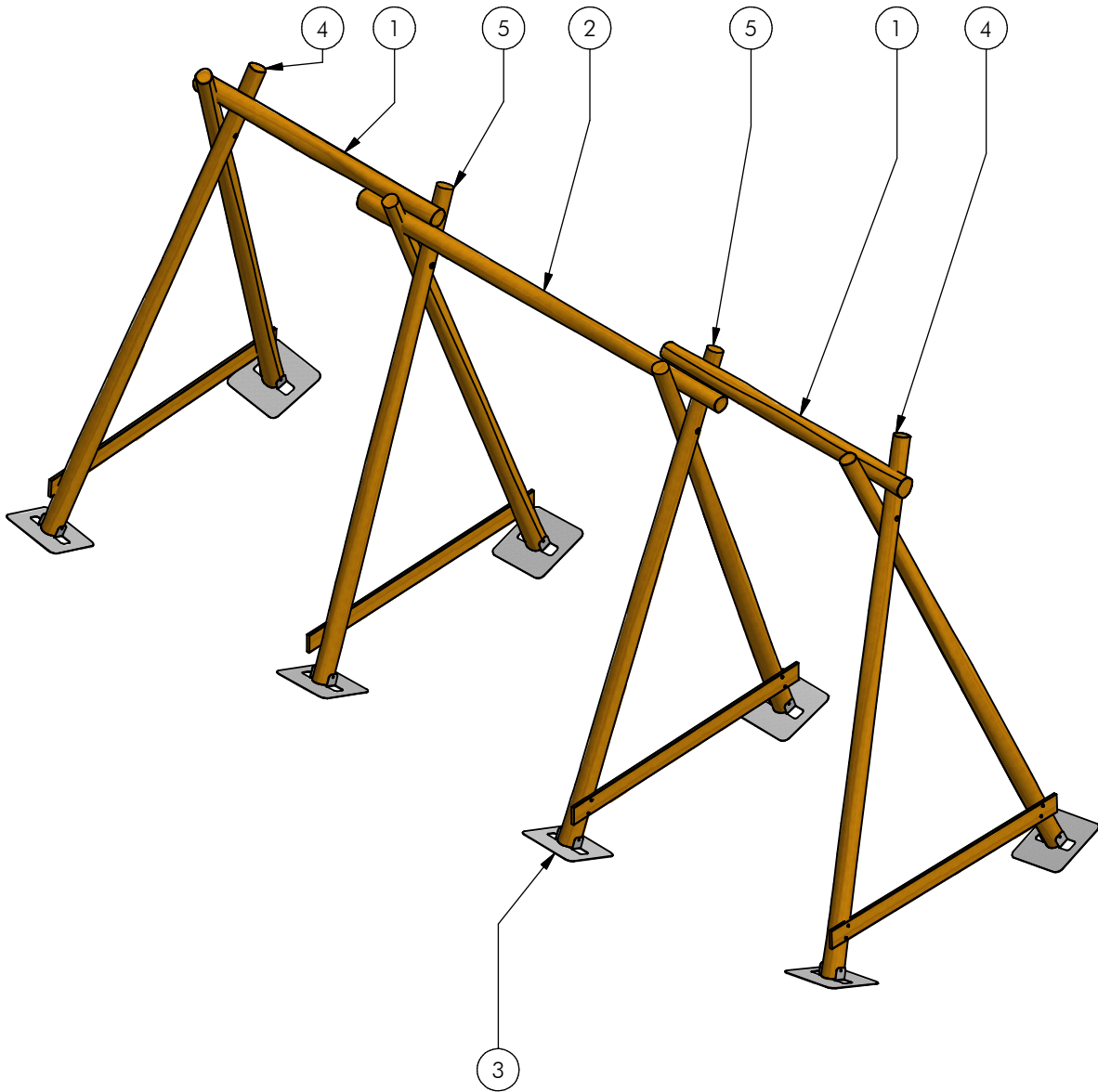


Certificaat nr. Certificate nr.	031376TB_20130325	Dossierr. File nr.	031376TB
Productomschrijving Product description	Trio schommel		
Evt. nadere aanduidingen Further indications	Vrije valhoogte 2,0 m / free height of fall 2,0 m		
voor nadere informatie zie bijbehorend rapport met gelijklozend dossiernr. for further information see associated report with identical file nr.			
Eigenaar / certificaathouder en adres Owner/certificate holder and address	Boer Speeltoestellen B.V. Hyacintstraat 2 4255 HX Nieuwendijk		
Soort toestel Category of equipment	Speeltoestel / Playground equipment		
Fabrikant Manufacturer	Boer Speeltoestellen B.V. Hyacintstraat 2 4255 HX Nieuwendijk		
Type/Serienummer Type/Serial number	PST.000.025 /	in te vullen door de fabrikant to be filled out by the manufacturer	
Jaar van fabricage Year of construction	vanaf since 2012		
Leverancier Supplier	Boer Speeltoestellen B.V. Hyacintstraat 2 4255 HX Nieuwendijk		
Jaar van levering Year of supply			in te vullen door de leverancier to be filled out by the supplier
Datum keuring Date of examination	21-06-2012 – 25-03-2013		

TÜV Nederland QA BV, de Waal 21C, NL-5684 PH Best verklaart, dat het bovenaangehaalde toestel voldoet aan de vervaardigingvoorschriften genoemd in het Warenwetbesluit attractie- en speeltoestellen (met als leidraad de normatieve documenten NEN-EN 1176:2008).

TÜV Nederland QA BV declares that the here above mentioned equipment meets the safety and health requirements mentioned in the Dutch law "Warenwetbesluit attractie- en speeltoestellen" (guided by normative documents EN 1176:2008).

Namens het bestuur, For the board, A.C. Boon Directeur	
---	--



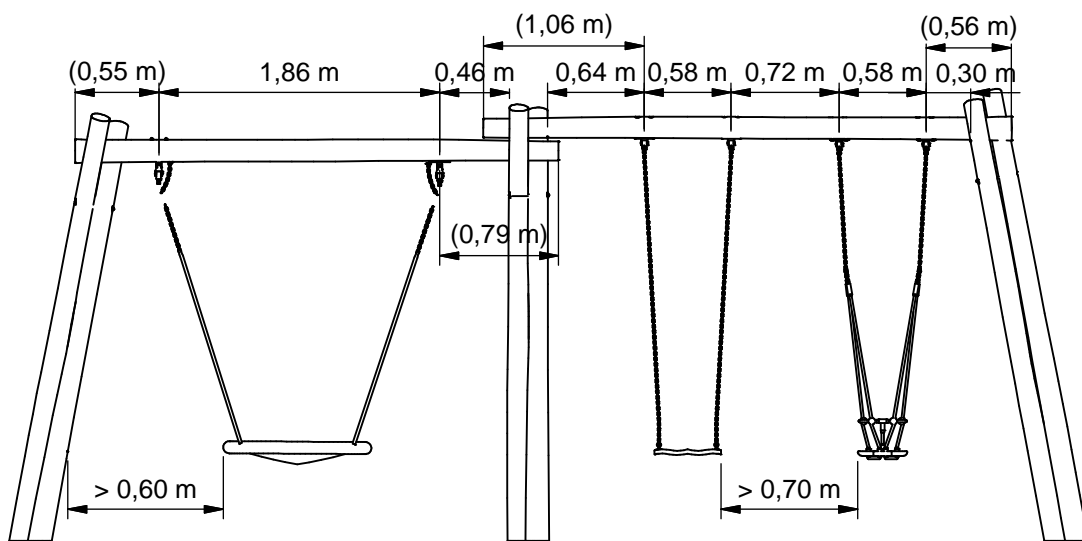
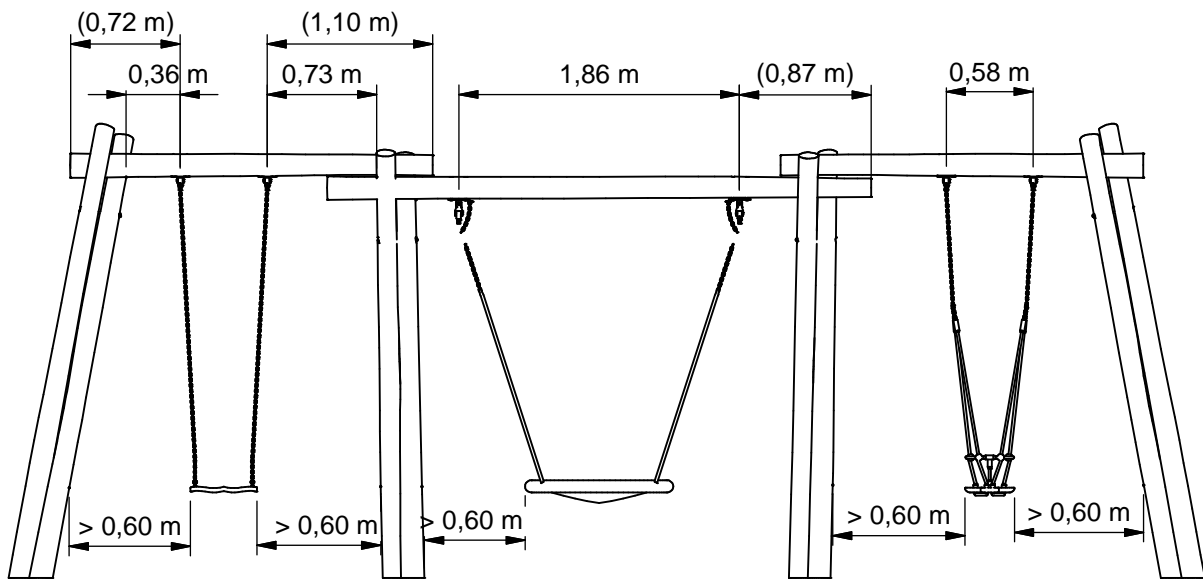
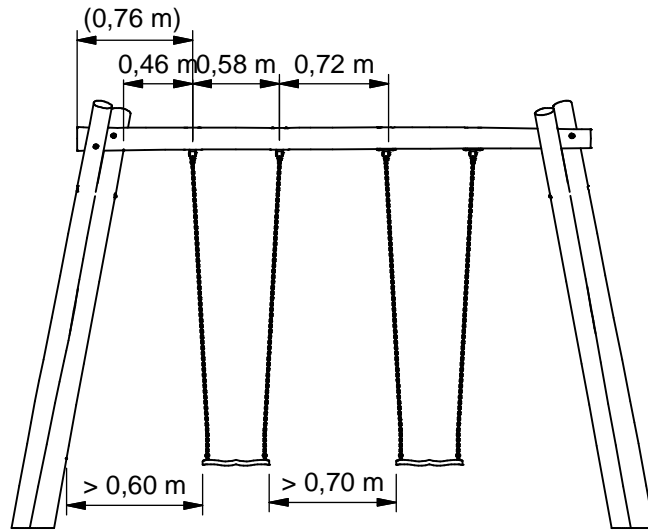
Nr	#	Type	Progr.	Volgnr	Bew.	Rev.	Benaming	Opmerking
1	2	OHO	PST	160	024		Paal 14-16	Lengte =2400
2	1	OHO	PST	160	036		Paal 14-16	Lengte =3600
3	8	OME	PST	060	VZP		Voetplaat Groot 160	Adventureplay
4	2	SHO	PST	100	004		A-Frame 2	Schommels
5	2	SHO	PST	100	001	B	A-Frame 1	Schommels



Benaming Title Duo XL SCHM Frame trio
 Opmerking Comment Adventure Play
 Datum Date 13-7-2015

Tekening Drawing

MOD PST 001 013 B
 Samenstelling module Assembly module

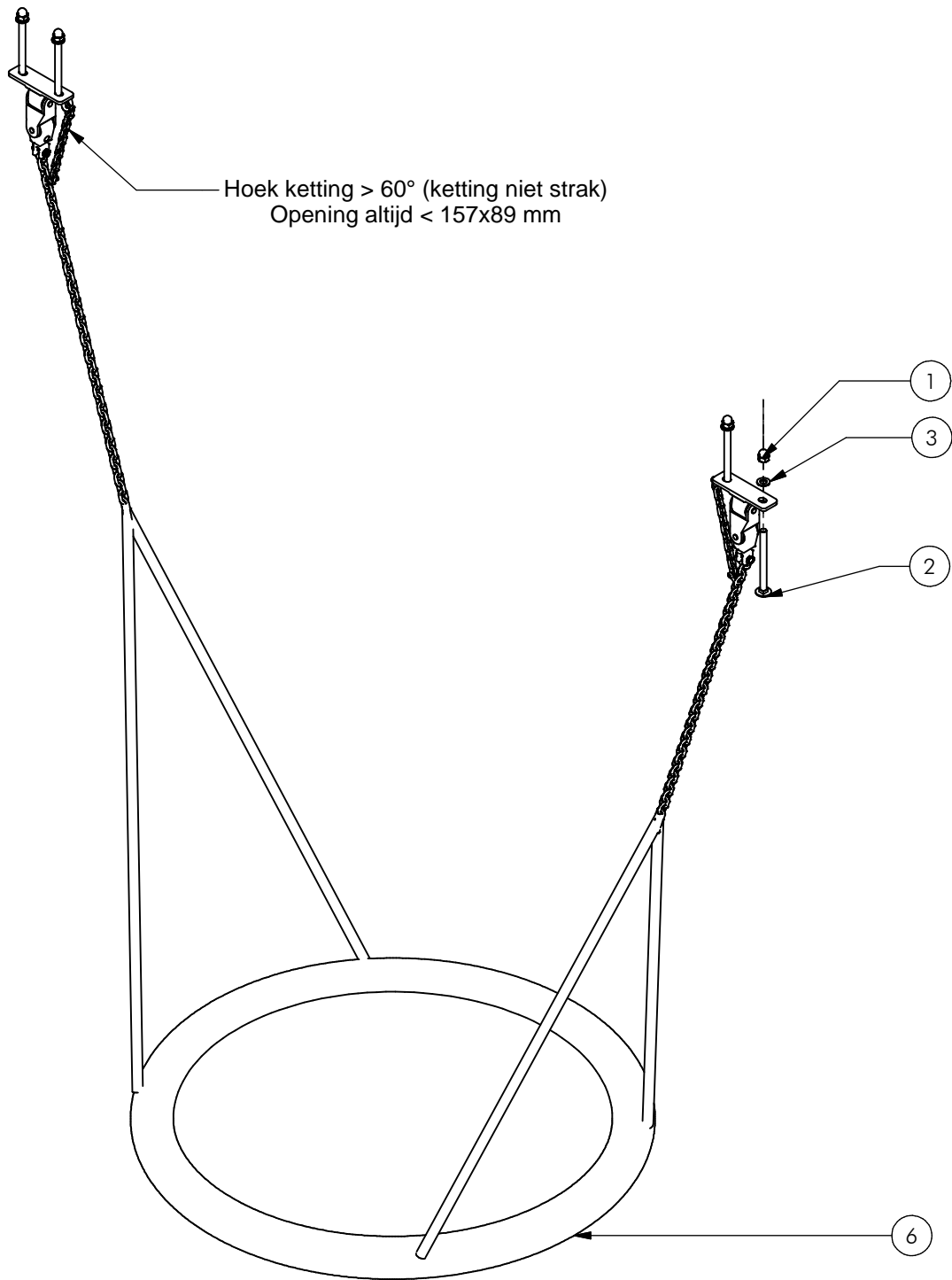


Benaming / Title: Schommel Ophangstelsysteem
 Opmerking / Comment: Adventure Play Schommels
 Datum / Date: 13-1-2016

Tekening / Drawing

MOD PST 001 DRW

Samenstelling module Assembly module



Nr	#	Type	Progr.	Volgnr	Bew.	Rev.	Benaming	Opmerking
1	4	BSR	011	012	025		Borgdopmoer	M12 - RVS A2-70
2	4	BSR	026	012	140		Slotbout	M12 x 140 - RVS A2-70
3	4	BSR	030	012	003		Sluitring	M12 - RVS A2-70
4	4	BSR	031	005	000		D-Sluiting	5 mm, RVS A2-70
5	2	BSR	081	012	092		Scharnier dubbel NORMAAL	RVS A2-70
6	1	DRD	NST	001	100		Vogelnest Ø1,0 m	balk 2,5 m
7	2	KET	005	002	018		RVS ketting 5mm	0,18 m lang



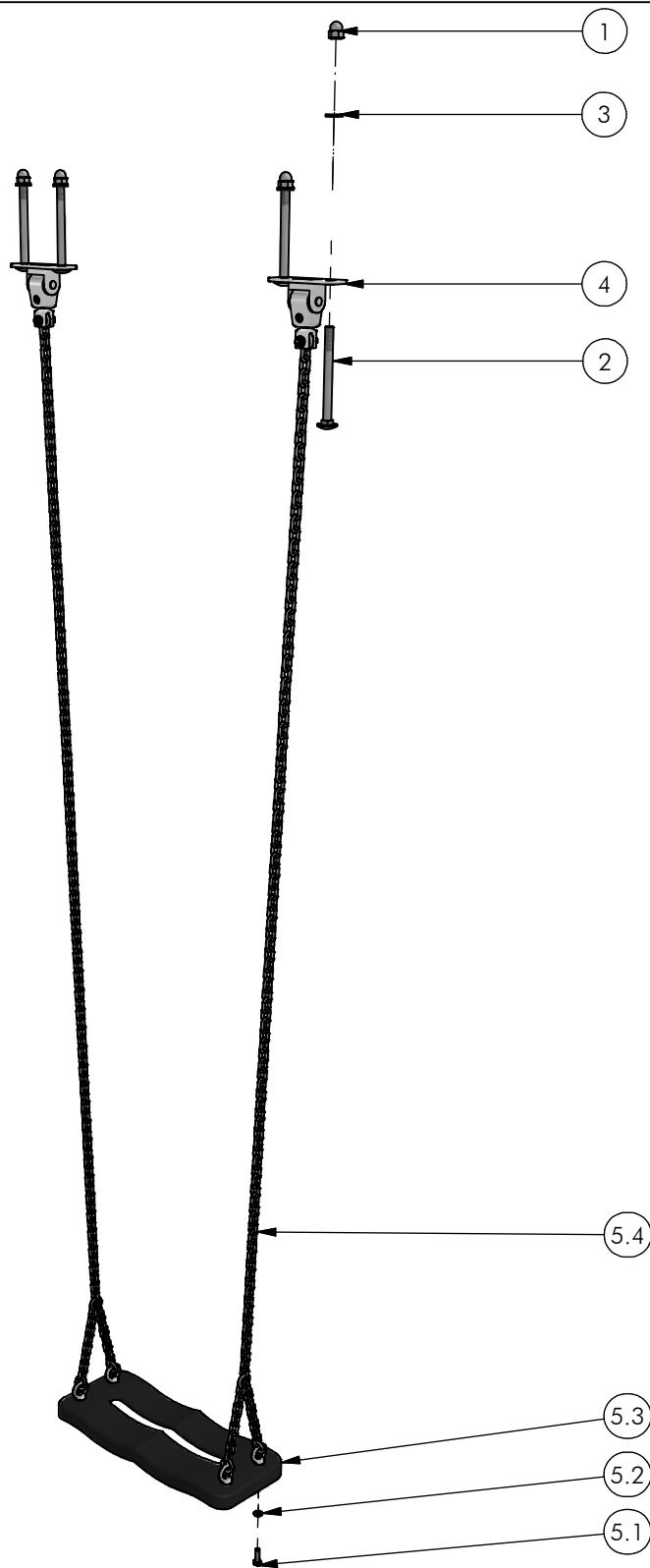
Benaming
Title PST - Vogelnest 1,0 m

Opmerking
Comment Schommelzitzje

Datum
Date 2-3-2017

Tekening
Drawing

MOD PST 003 001 A
Samenstelling module Assembly module



Nr.	#	Type	Progr.	Volgnr	Bew.	Rev.	Benaming	Opmerking
1	4	BSR	011	012	025		Borgdopmoer	M12 - RVS A2-70
2	4	BSR	026	012	140		Slotbout	M12 x 140 - RVS A2-70
3	4	BSR	030	012	003		Sluitring	M12 - RVS A2-70
4	2	BSR	081	012	091		Schommelscharnier	RVS A2-70
5	1	SMD	ZIT	200	090		Zitje incl. ketting	
5.1	4	BSR	021	008	025		Zeskantbout	M8 x 25 - RVS A2-70
5.2	4	BSR	030	008	002		Sluitring	M8 - RVS A2-70
5.3	1	CNK	ZIT	001	090		Schommelzitje CNK	Zwart
5.4	2	RNT	KET	005	250		Schommelketting 5mm	Met vork 2,5 m



Benaming
Title Schommelzitje

Opmerking
Comment Ketting 2,0 m

Datum
Date 16-12-2016

Tekening
Drawing

MOD PST 003 002

Samenstelling module Assembly module