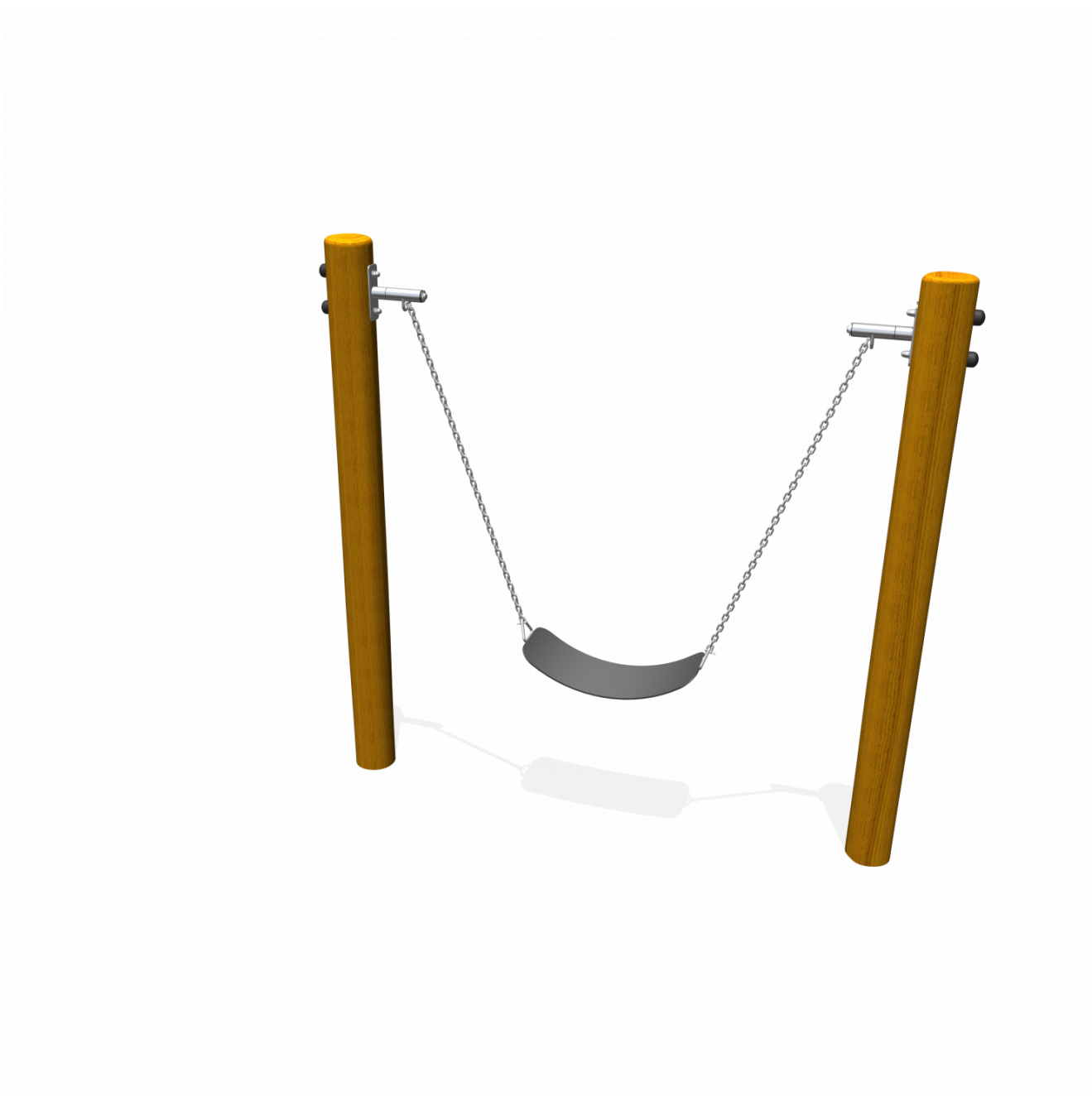
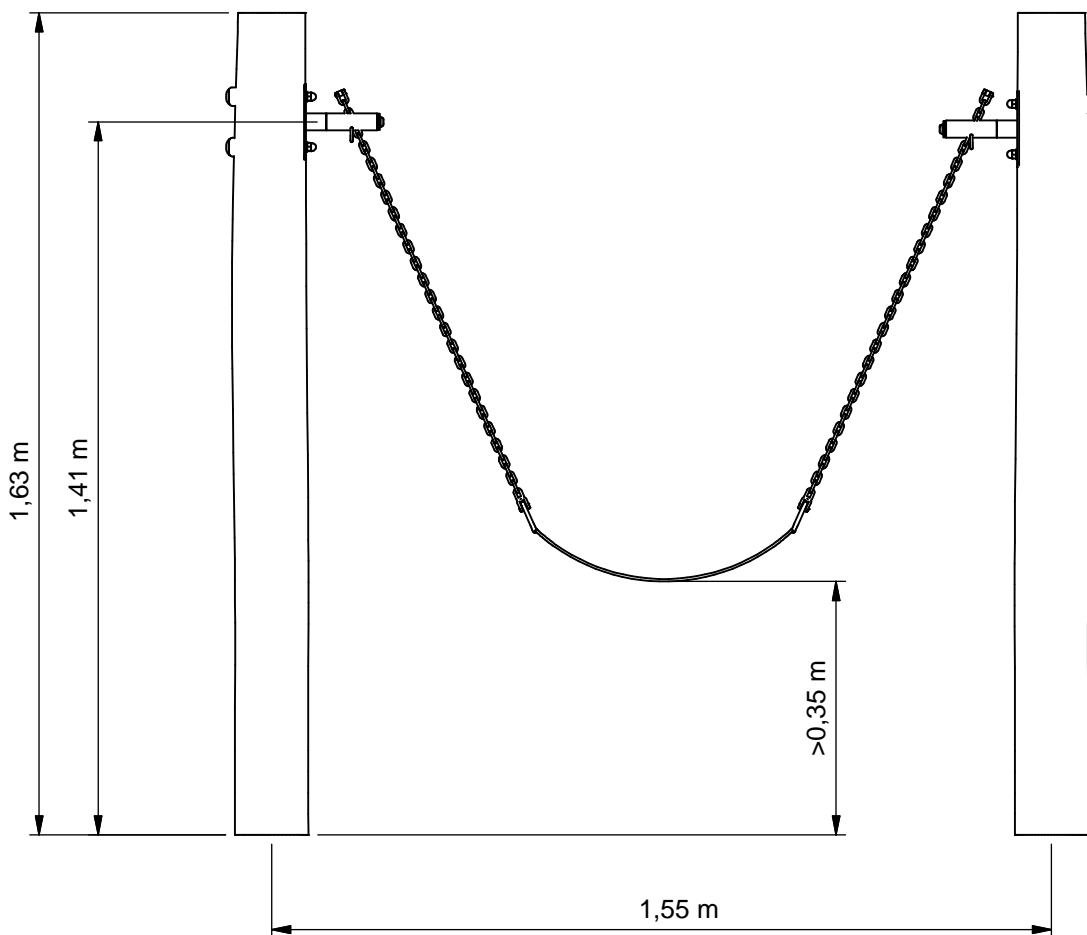
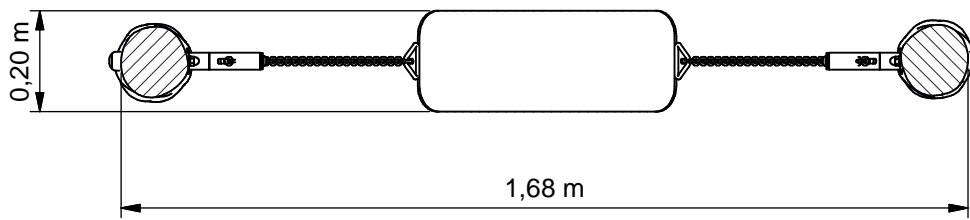




Toddler swing



PSTE000.013



Benaming
Title Peuterschommel

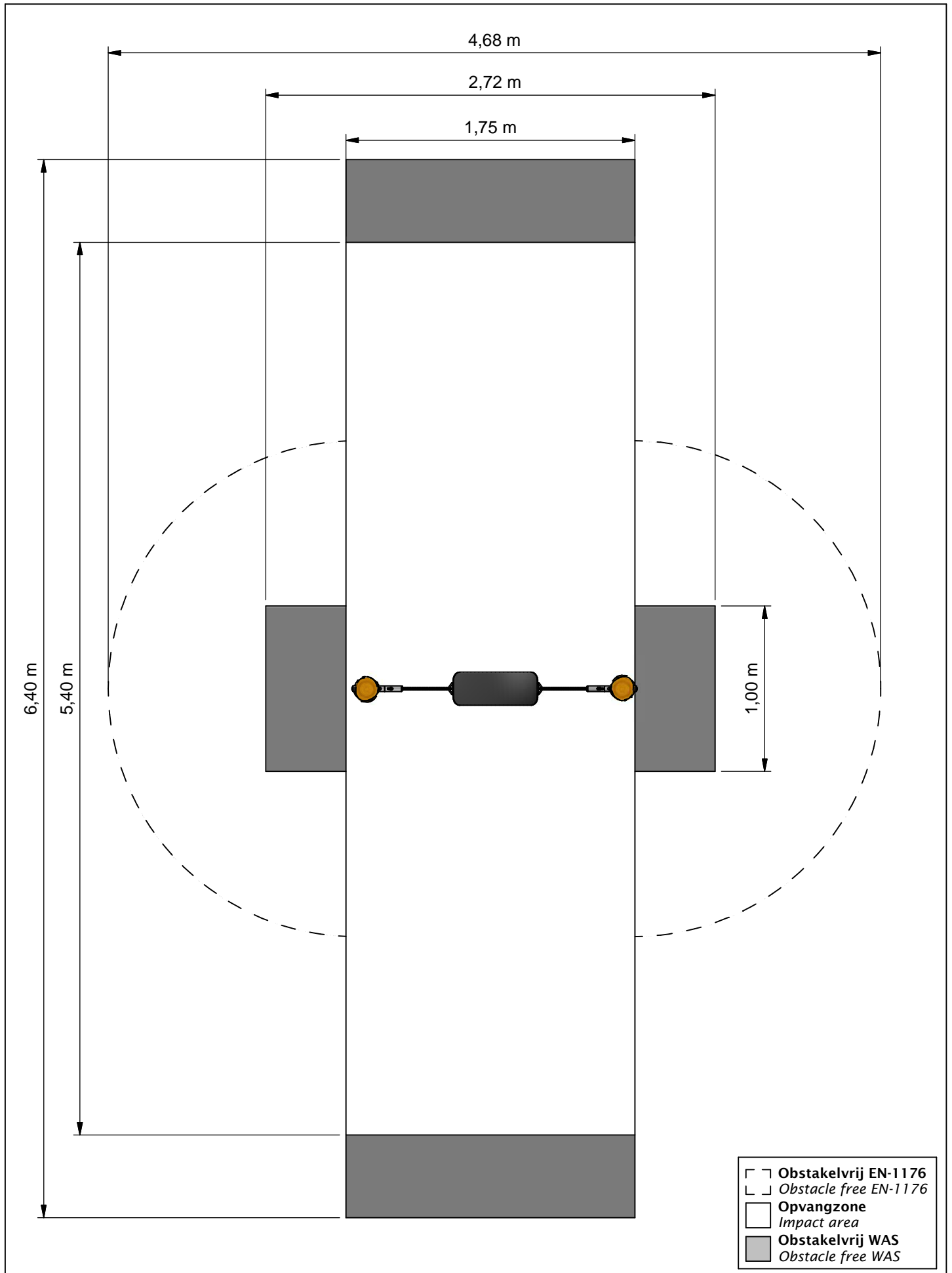
Opmerking
Comment Bandzitje

Datum
Date 25-2-2011

Tekening
Drawing

TOE PST 000 013

Afmetingen Dimensions



Benaming
Title Peuterschommel

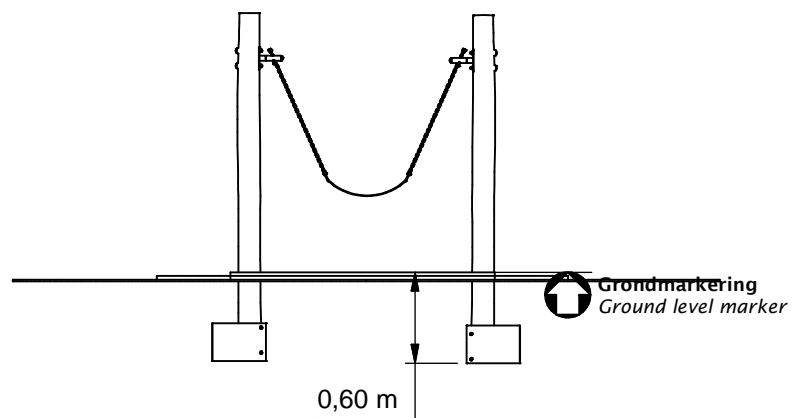
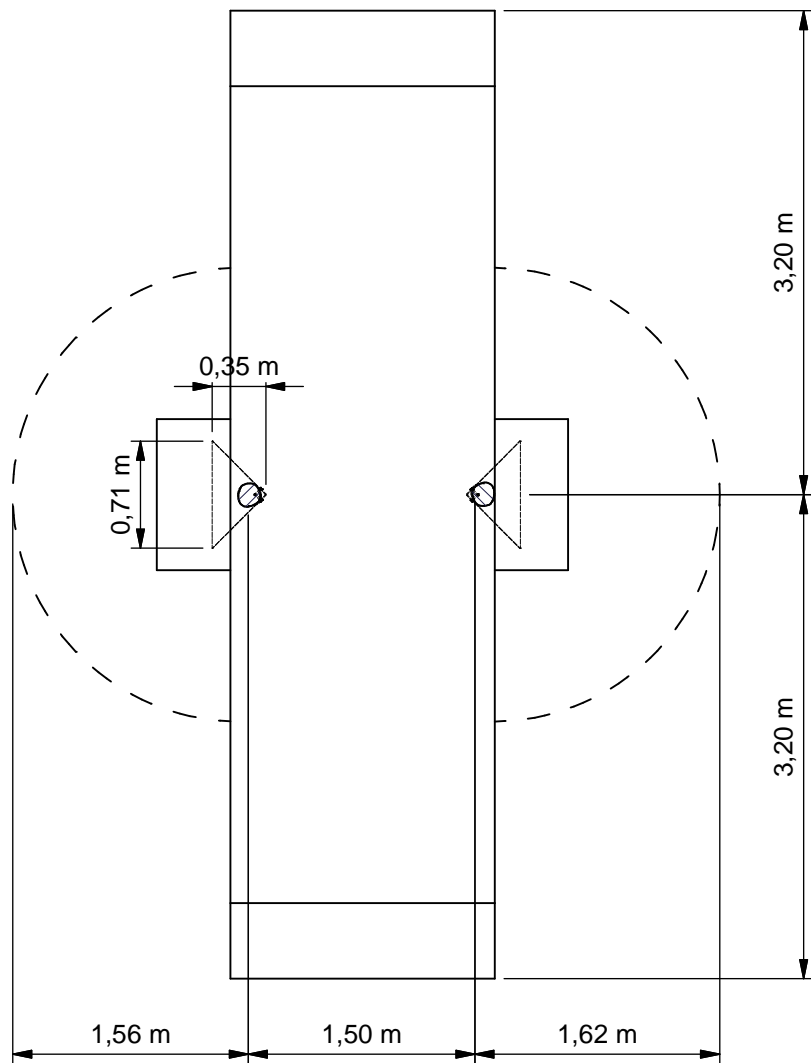
Opmerking
Comment Bandzitje

Datum
Date 25-2-2011

Tekening
Drawing

TOE PST 000 013

Obstakelvrije zone Obstacle free zone



Benaming
Title Peuterschommel

Opmerking
Comment Bandzitje

Datum
Date 25-2-2011

Tekening
Drawing

TOE PST 000 013

Bodemplan Groundplan

Geleverde modules:

Zie tabel

Supplied modules:

See table

Montageinstructie:

- De hoofdmaten geven de maten van de standers en vloeren aan
- De detailtekeningen geven specifiek de maten van de verbindingen aan
- De modules met buizen zijn op de tekeningen bemaat op bovenkant kopplaat
- Overige modules zijn bemaat op de bovenkant (klimwanden, paalkappen, etc.)

Assembly instruction:

- The main dimensions indicate the dimensions of the posts and floors
- The detailed dimensions show the specific dimensions of the connections
- The modules which contain tubes are dimensioned at the top of the flanges
- Other modules are dimensioned at the top (climbing walls, caps for the posts, etc.)

Montagevolgorde:

- 1 - Graaf de gaten volgens het bodemplan
- 2 - Plaats 1 (2x)
- 3 - Plaats 2, verbind deze aan 1 (2x)
- 4 - Controleer of het toestel voldoet aan de afmetingen zoals op blad 'afmetingen'
- 5 - Dicht de gaten en verdicht het zand

Assembly sequence:

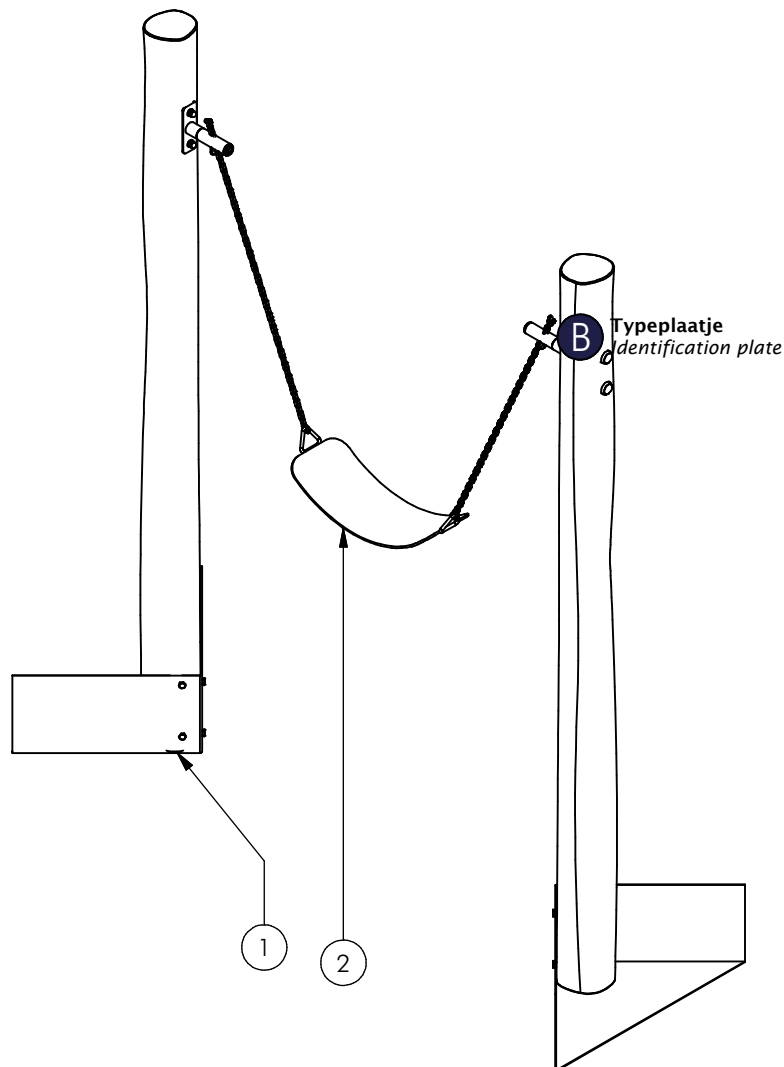
- 1 - Dig the holes according to the ground plan
- 2 - Place 1 (2x)
- 3 - Place 2, attach it to 1 (2x)
- 4 - Check that the equipment conforms to the dimensions shown on sheet 'dimensions'
- 5 - Close the holes and compact the sand

Controles:

- 1 - Correcte opbouw en alle bevestigingsmiddelen
- 2 - Controleer de afmetingen van de valbodem t.o.v. het toestel

Checks:

- 1 - Correct assembly and all the fasteners
- 2 - Check the dimensions of the safety area with regard to the play equipment



Nr	#	Type	Progr.	Volgnr	Bew.	Rev.	Benaming	Opmerking
1	2	MOD	PST	001	003	B	Schommelpaal	Adventure play
2	1	MOD	PST	001	102		Bandenzitje	Adventure Play



Benaming
Title Peuterschommel

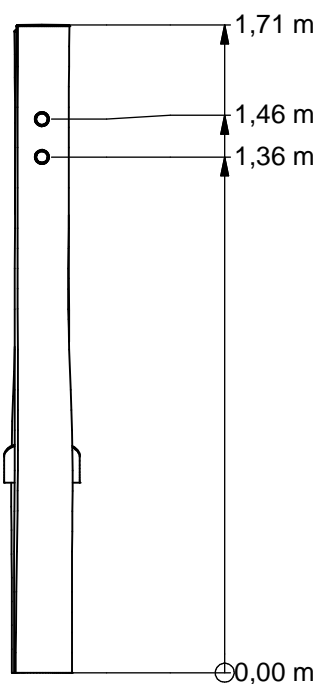
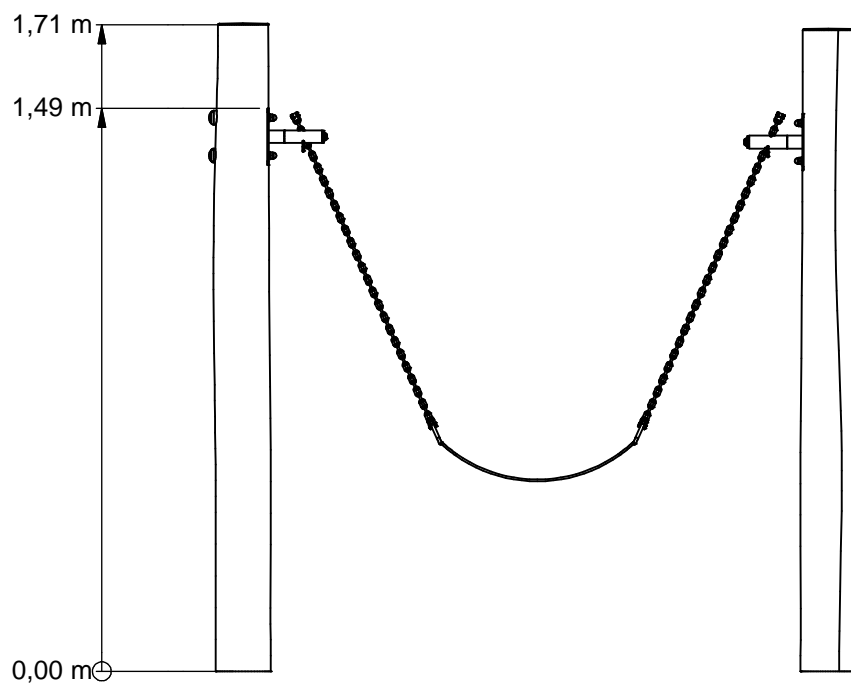
Opmerking
Comment Bandzitje

Datum
Date 25-2-2011

Tekening
Drawing

TOE PST 000 013

Modules Modules



PSTE000.013

Toddler swing

LOGBOOK

(Onderstaand logboek kan gebruikt worden om te voldoen aan de eisen, gesteld in artikel 14 van het Warenwetbesluit Attractie- en Speeltoestellen)

Type indication	Adventure Play
Product code	PSTE000.013
Name of equipment	Peuterschommel met bandzitje
Maximum height of fall	1,0 m
Year of construction	2017
Certificate	032432
inspection authority	TUV Nederland QA BV De Waal 21c, Best - 5684 PH Best
Name manufacturer	BOERplay Hyacintstraat 2 - 4255 HX Nieuwendijk Phone: +31 (0)183 40 23 66 Fax: +31 (0)183 40 35 64
name installer	_____ _____
Description of equipment	Toddler swing
Location of equipment	_____
Data about the owner of the play equipment	
Name:	_____
Address:	_____
Postcode and town:	_____
Contact person:	_____
Telephone number:	_____
Data about the administrator of the play equipment	
Name:	_____
Address:	_____
Postcode and town:	_____
Contact person:	_____
Telephone number:	_____

LOGBOOK

Inspection and maintenance intervals



Nr.	Inspection	Maintenance	months between inspections
1	Verify equipment's stability, junctions and missing parts. Inspect bolts, screws and nuts for absence, jams, corrosion and wear.	Add missing parts, secure joints, apply missing fixing agent and replace corroded parts.	1
2	Check suspension for wear.	Replace worn parts and/or remove non-functioning parts.	1
3	Inspect rotating parts such as hinges, rolling-element bearings, etc. for wear and acceptability.	Replace worn parts and/or remove non-functioning parts.	1
4	Check wood for splinters, unacceptable damage and signs of rot. Especially at ground level.	Repair damage. Replace affected wood. Smoothen splintered wood and sharp edges.	1
5	Inspect foundation for stability, tearing and coverage.	Restore foundation and covering material.	3
6	Examine rubber and synthetic parts for wear, damage and break.	Replace original parts.	3
7	Inspect metal for corrosion and damage in the coating.	Restore any damaged coating (after removing rust and applying primer).	6
8	Check ropes, cables, chains and nets for wear and damage. Steel cables and nets which are tensioned must be checked for tension.	Replace parts where necessary. Steel cables and nets must be tensioned.	3
9	Inspect equipment for unsafe changes and additions.	Remove unsafe additions and correct unsafe changes.	1
10	Inspect safety surfaces.	Restore and repair where necessary.	1

Remarks

1. If used intensively, all points require extra attention.
2. Extreme weather conditions and locations may require a higher inspection frequency. Discuss this with the supplier.
3. Vandalism-sensitive locations require stricter inspections, possibly daily.
4. Check the terrain regularly for items that do not belong there, are unsafe or may be used wrongly. Examples are poisonous plants, glass shards, etc. Frequency depends on strain.
5. Remember that bad maintenance leads to unsafe conditions and notably faster impoverishment of the playground area.
6. Replacement parts can be ordered at the manufacturer with the part numbers on the module drawing. Drawings can be found in de user guide.
7. The impact area shall be provided with impact attenuating surface according to the specified falling height.
8. This list is conform the CEN-standard "playground equipment and surfacing NEN-EN 1176-7".

Warenwet

Certificaat van Typeonderzoek Type Examination Certificate


afgegeven door issued by

TÜV Nederland QA BV



aangewezen bij ministeriële beschikking van
4 mei 2012, nr. VGP 3113590

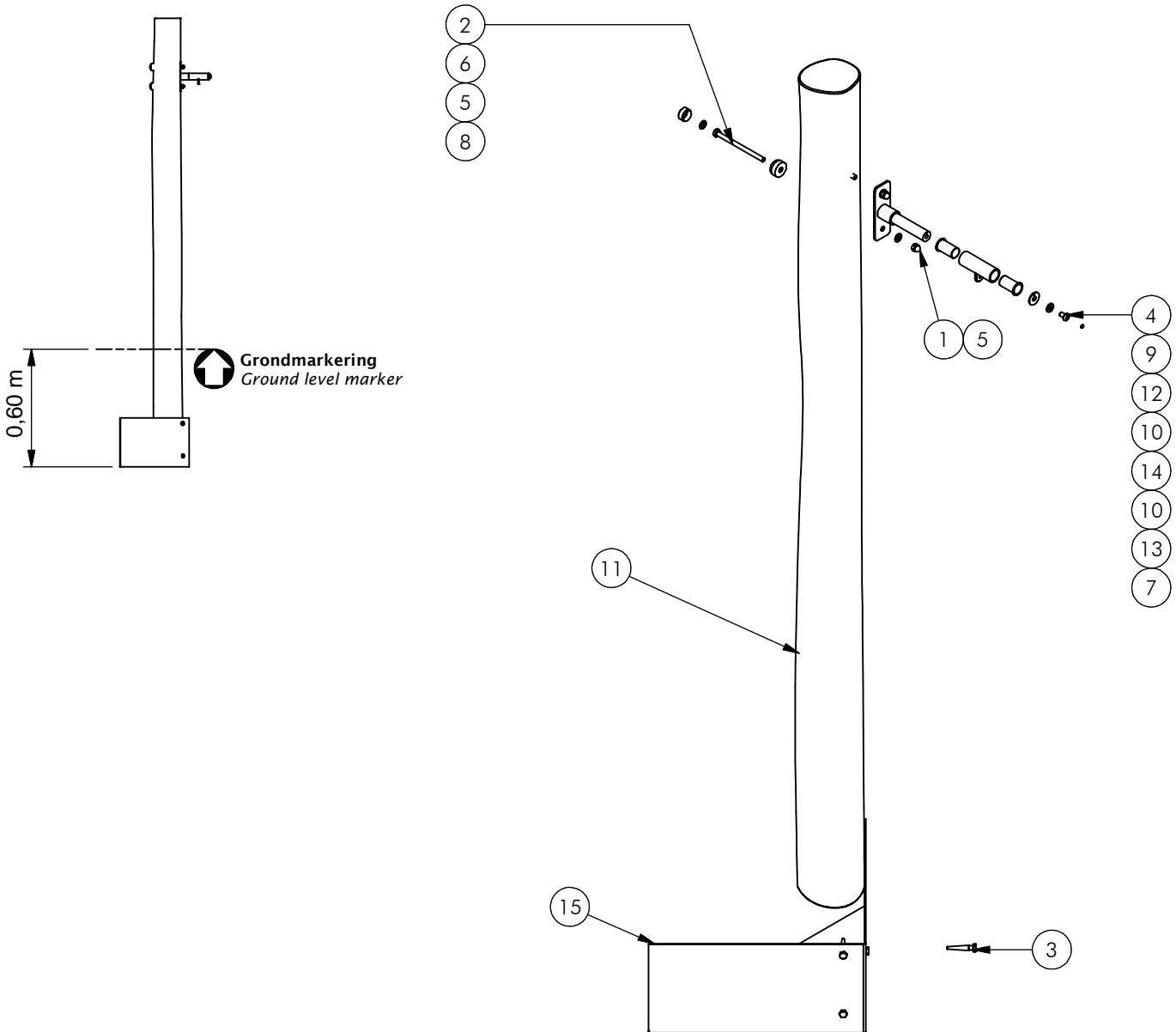
commissioned by departmental order
of 4 May 2012, no. VGP 3113590

Certificaat nr. Certificate nr.	032432TB_20130124	Dossiernr. File nr.	032432TB
Productomschrijving Product description	Peuterschommel met bandzitje		
Evt. nadere aanduidingen Further indications			
voor nadere informatie zie bijbehorend rapport met gelijkloidend dossiernr. for further information see associated report with identical file nr.			
Eigenaar / certificaathouder en adres Owner/certificate holder and address	Boer Speeltoestellen B.V. Postbus 10 4255 ZG NIEUWENDIJK		
Soort toestel Category of equipment	Speeltoestel		
Fabrikant Manufacturer	Boer Speeltoestellen B.V. Postbus 10 4255 ZG NIEUWENDIJK		
Type/Serienummer Type/Serial number	PST.000.013 /	in te vullen door de fabrikant to be filled out by the manufacturer	
Jaar van fabricage Year of construction	vanaf since 2012		
Leverancier Supplier	Boer Speeltoestellen B.V. Postbus 10 4255 ZG NIEUWENDIJK		
Jaar van leverantie Year of supply	in te vullen door de leverancier to be filled out by the supplier		
Datum keuring Date of examination	16-03-2012 – 24-01-2013		

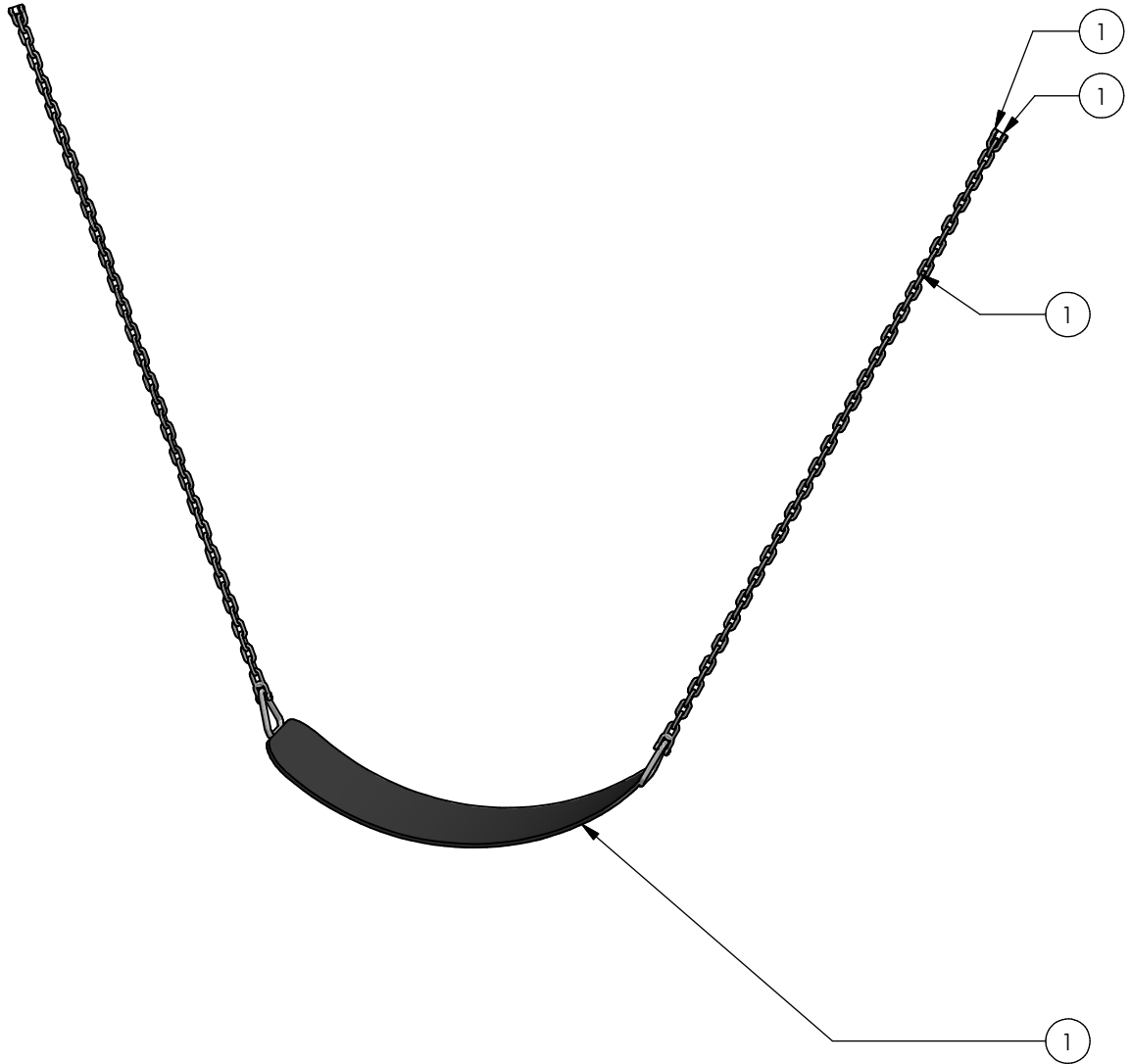
TÜV Nederland QA BV, de Waal 21C, NL-5684 PH Best verklaart, dat het bovenaangehaalde toestel voldoet aan de vervaardigingvoorschriften genoemd in het Warenwetbesluit attractie- en speeltoestellen (met als leidraad de normatieve documenten NEN-EN 1176:2008).

TÜV Nederland QA BV declares that the here above mentioned equipment meets the safety and health requirements mentioned in the Dutch law "Warenwetbesluit attractie- en speeltoestellen" (guided by normative documents EN 1176:2008).

Namens het bestuur, For the board, A.C. Boon Directeur	
---------------------------------------------------------------------	--------------------------------------------------------------------------------------



Nr	#	Type	Progr.	Volgnr	Bew.	Rev.	Benaming	Opmerking
1	2	BSR	011	010	020		DOPMOER	BORG RVS M10
2	2	BSR	021	010	150		Zeskantbout	M10 x 150 - RVS A2-70
3	4	BSR	022	010	060		Houtdraadbout	∅10 X 60 - RVS A2-70
4	1	BSR	023	010	016		Bolkopbout ISO 7380	M10 x 16 - RVS A2-70
5	4	BSR	030	010	002		SLUITRING	M10
6	2	KST	DON	010	060		Bescherm dop M10-M12	Donut zwart
7	1	KST	DOP	006	030		OPVULDOPJE	6 MM ROOD
8	2	KST	DOP	010	060		Bescherm dop M10-M12	Dop zwart
9	1	KST	ROR	010	000		RING NYLON	M10 x 2.5 MM
10	2	LAG	IGS	025	048		Glijlager	Igus
11	1	OHO	PST	160	023		Paal 14-16	Lengte =2300
12	1	OME	UKP	561	320		Eindplaat schommel	Ukkepuk
13	1	SME	UKP	558	320	B	Schommel	Ukkepuk
14	1	SME	UKP	559	320	B	Loopdeel scharnier	Ukkepuk
15	1	SME	VRB	616	372		Grondanker	Extra zwaar



Nr.	#	Type	Progr.	Volgnr	Bew.	Rev.	Benaming	Opmerking
1	1	SMD	UKP	001	001	B	Schommelzitje	Ukkepuk



Benaming
Title Bandenzitje

Opmerking
Comment Adventure Play

Datum
Date 30-9-2016

Tekening
Drawing

MOD PST 001 102 A
 Samenstelling module *Assembly module*