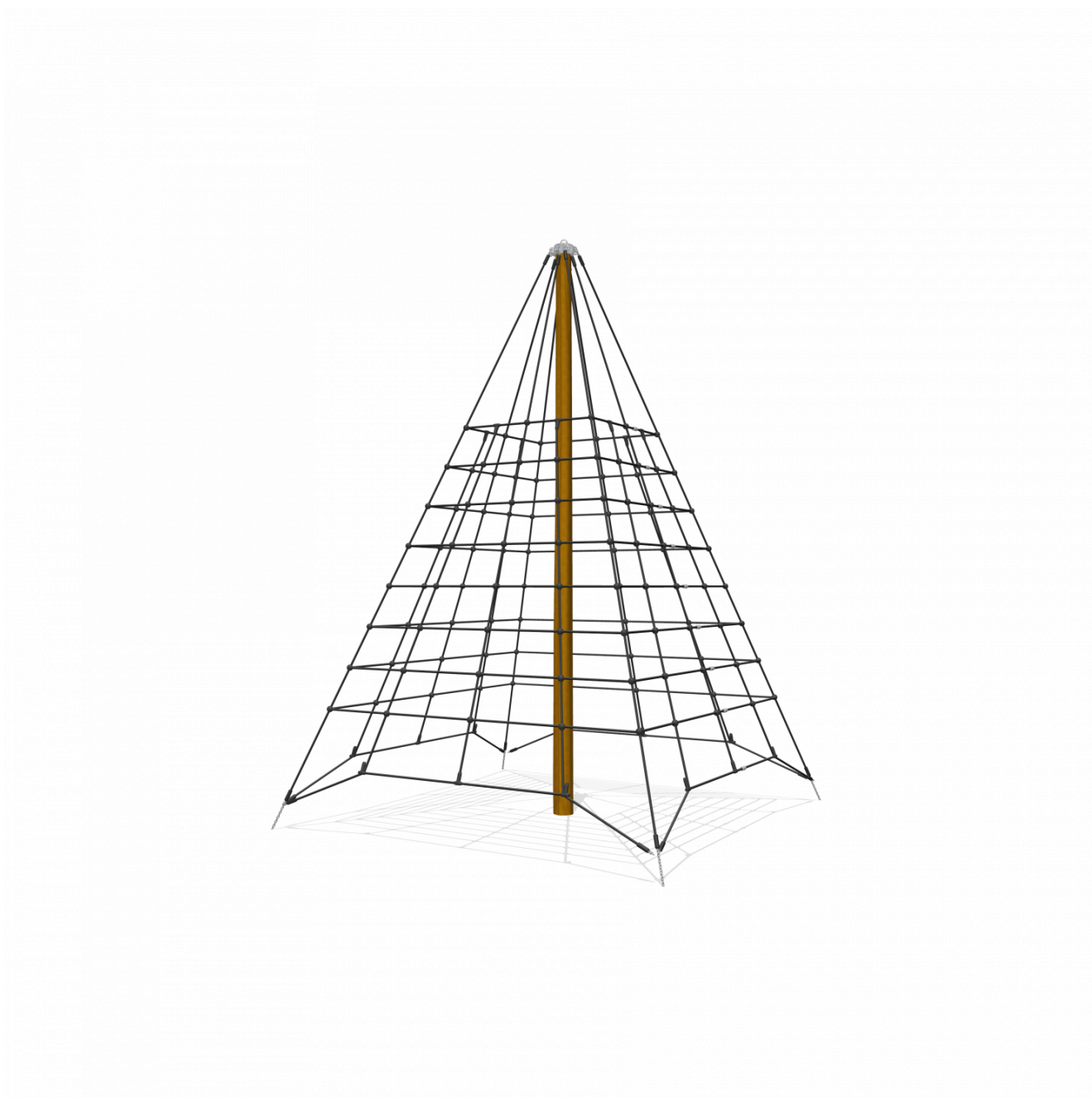
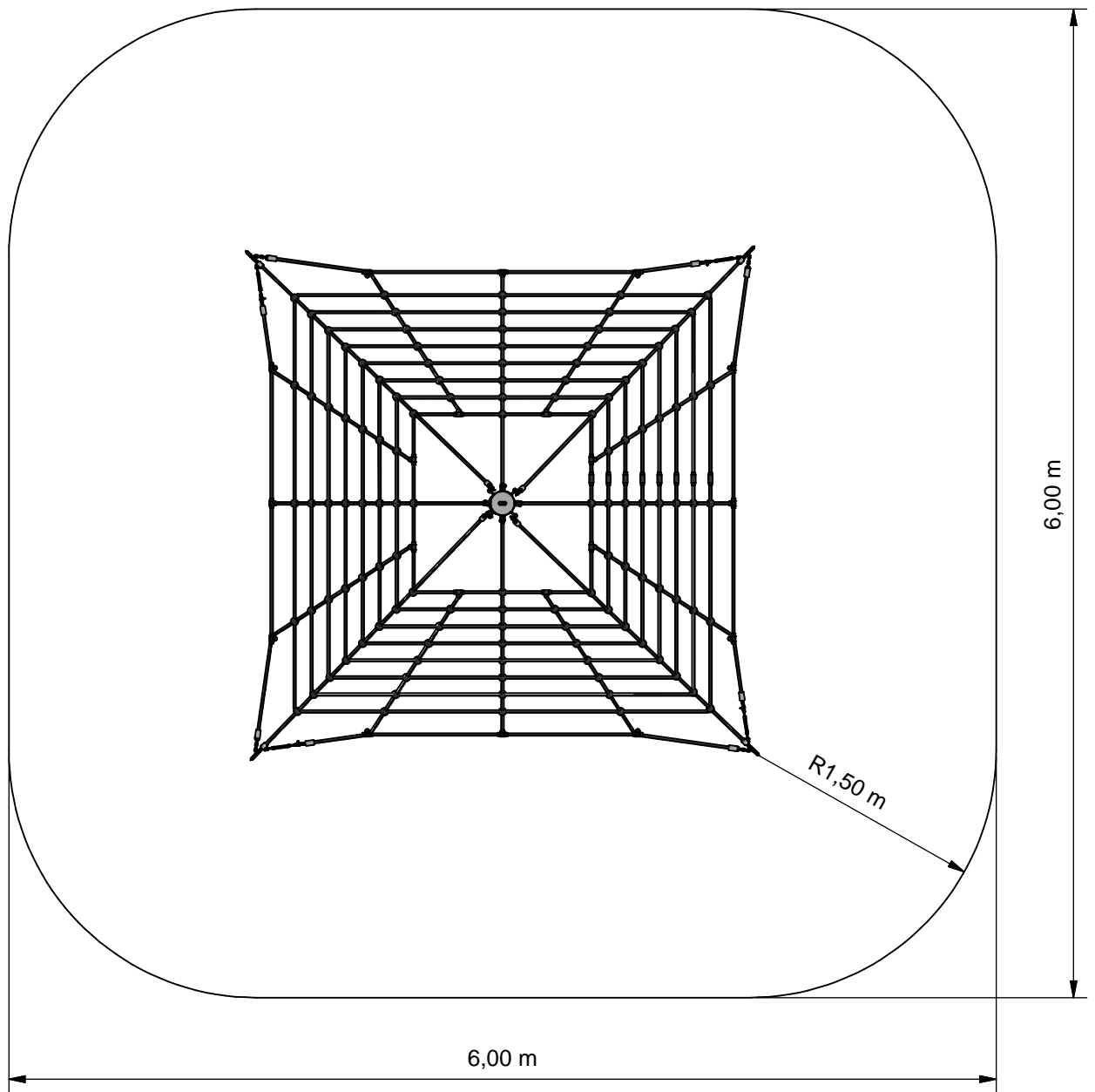




Climbing pyramid 3 m



PSTE000.114



- Opvangzone**
Impact area
- Obstakelvrije zone**
Obstacle free zone



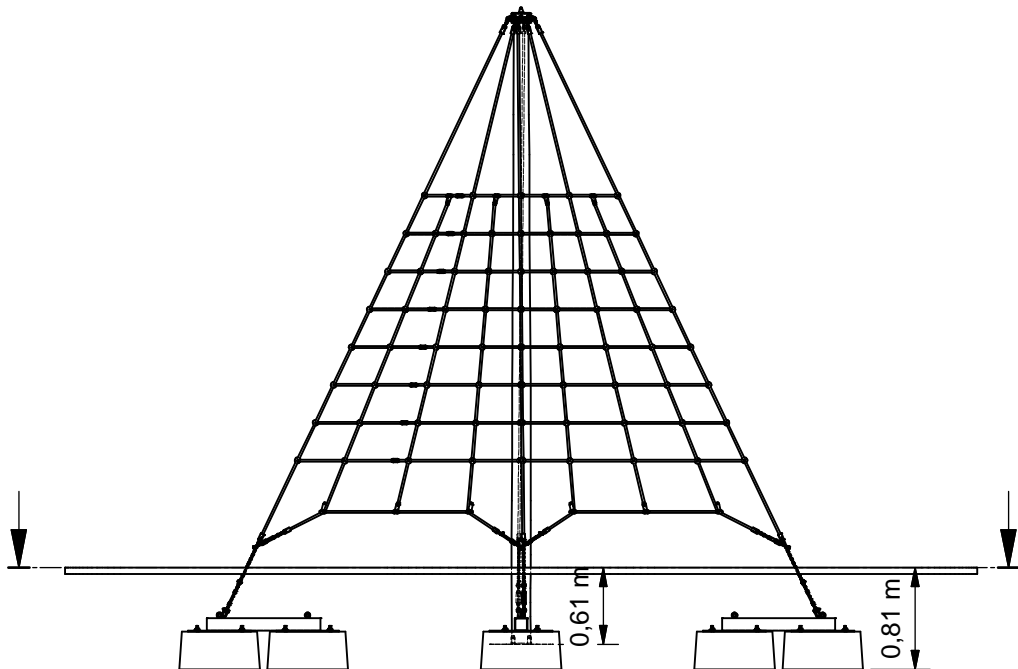
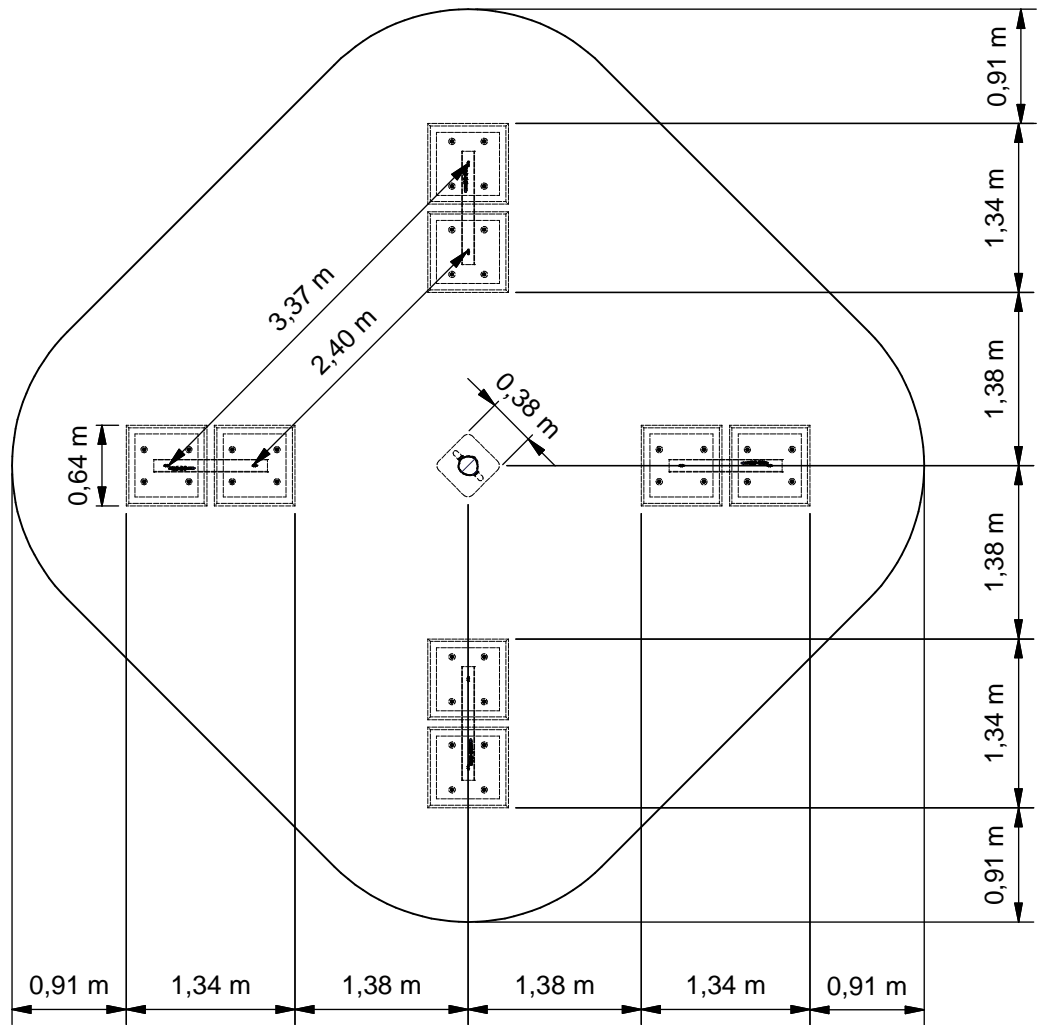
Benaming
Title Klimpyramide 3m

Opmerking
Comment Adventure play

Datum
Date 26-2-2015

Tekening
Drawing

TOE PST 000 114 B
Obstakelvrije zone *Obstacle free zone*



Benaming
Title Klimpyramide 3m

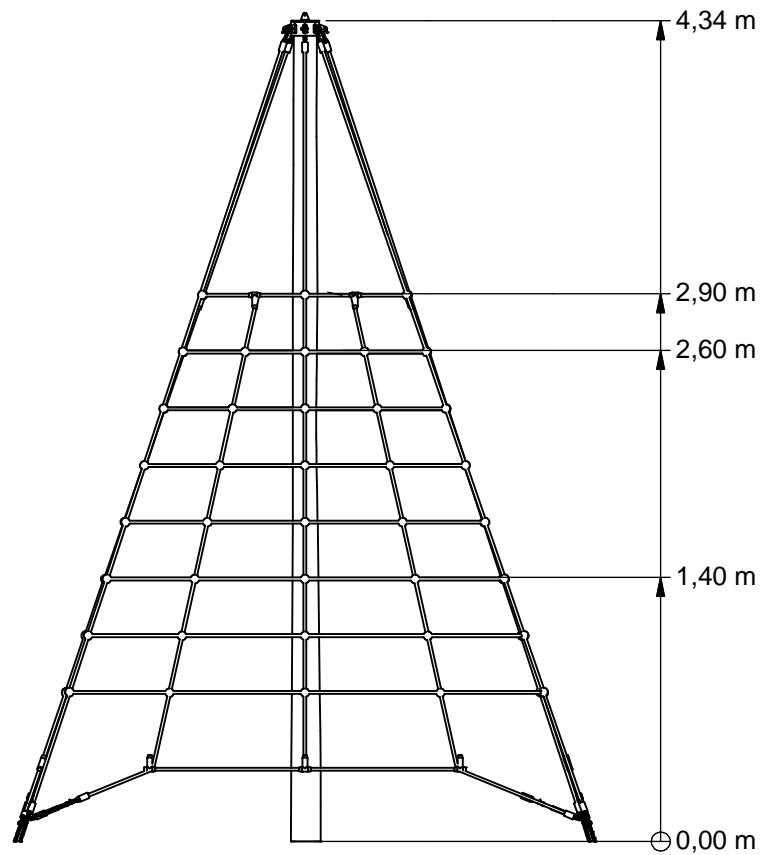
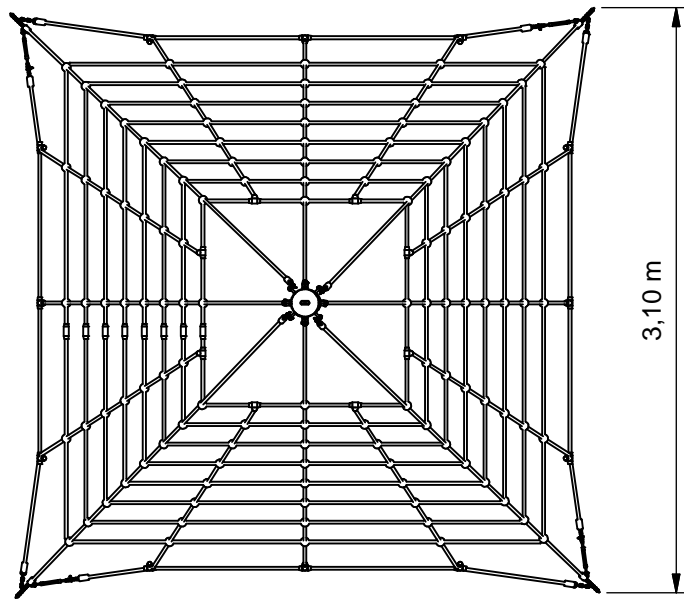
Opmerking
Comment Adventure play

Datum
Date 26-2-2015

Tekening
Drawing

TOE PST 000 114 B

Bodemplan *Groundplan*



Benaming
Title Klimpyramide 3m

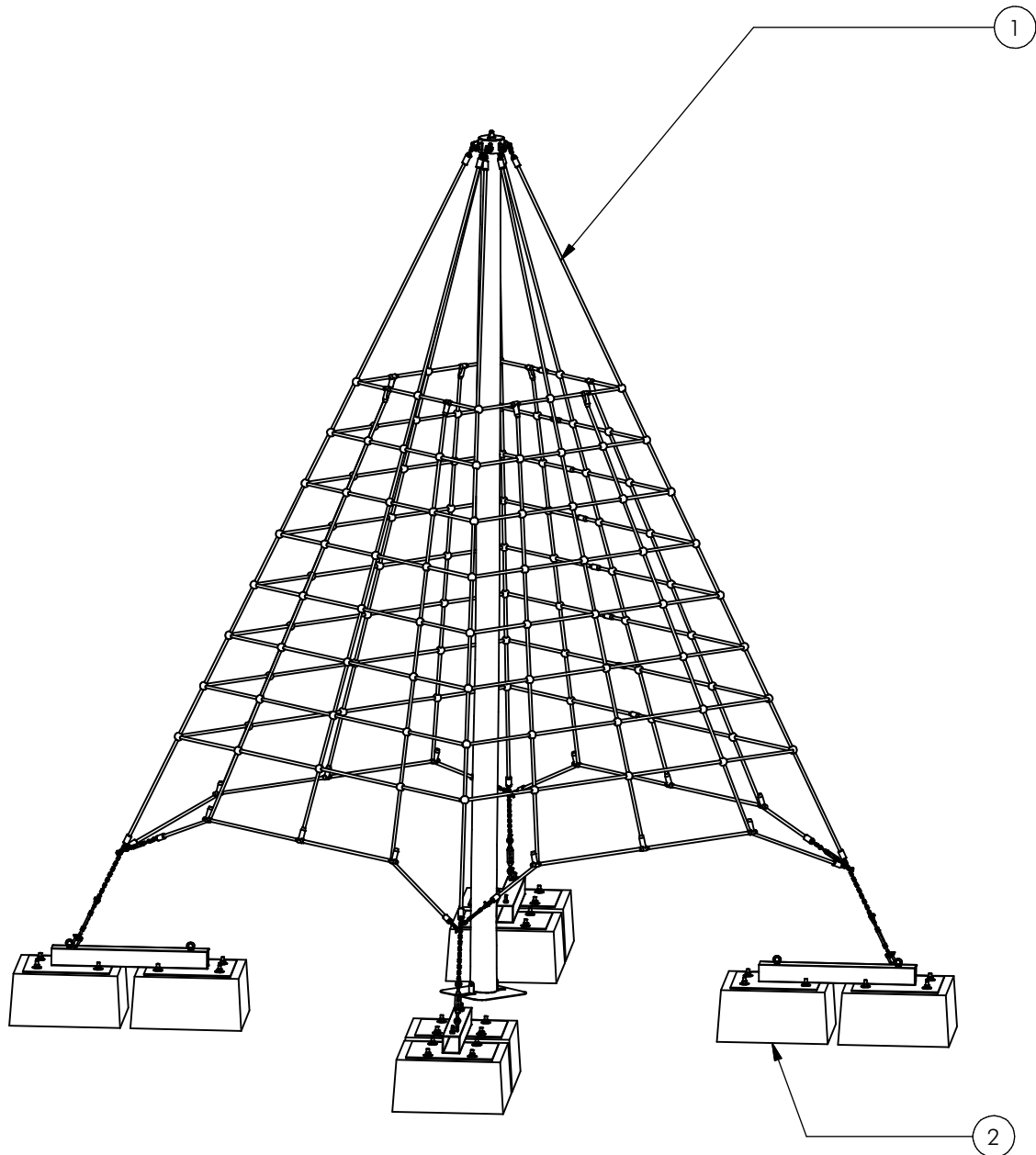
Opmerking
Comment Adventure play

Datum
Date 26-2-2015

Tekening
Drawing

TOE PST 000 114 B

Afmetingen Dimensions



Nr	#	Type	Progr.	Volgnr	Bew.	Rev.	Benaming	Opmerking
1	1	MOD	PST	064	006	C	Klimpyramide 3m	Adventure play
2	4	MOD	PST	064	003		Dubbele poer verbonden	Adventure play



Benaming / Title: Klimpyramide 3m
 Opmerking / Comment: Adventure play
 Datum / Date: 26-2-2015

Tekening / Drawing

TOE PST 000 114 B

Modules Modules

Geleverde delen:

- A - Dubbele poer [kg]
- B - Staander
- C - Klimpiramide net 1,5 m
- D - Klimpiramide net 3,0 m

Bevestiging sets:

- 1 - RVS M6 Bevestigingsset
- 2 - RVS M16 Bevestigingsset

Montagevolgorde:

- 1 - Graaf de gaten volgens het bodemplan en plaats hierin A en B
- 2 - Monteer C aan B met 1
- 3 - Monteer C aan A met 2
- 4 - Monteer D aan B met 1
- 5 - Monteer D aan A met 2
- 6 - Controleer of het toestel voldoet aan de afmetingen zoals op blad 'afmetingen'
- 7 - Dicht de gaten en verdicht het zand

Controls:

- 1 - Correcte opbouw en alle bevestigingsmiddelen
- 2 - De uiterste hoogte van het toestel (<300 cm)
- 3 - Controleer de afmetingen van de valbodem t.o.v. het toestel

Supplied parts:

- A - Double poer [kg]
- B - Post
- C - Climbing Pyramid net 1.5m
- D - Climbing Pyramid net 3.0m

Mounting kits:

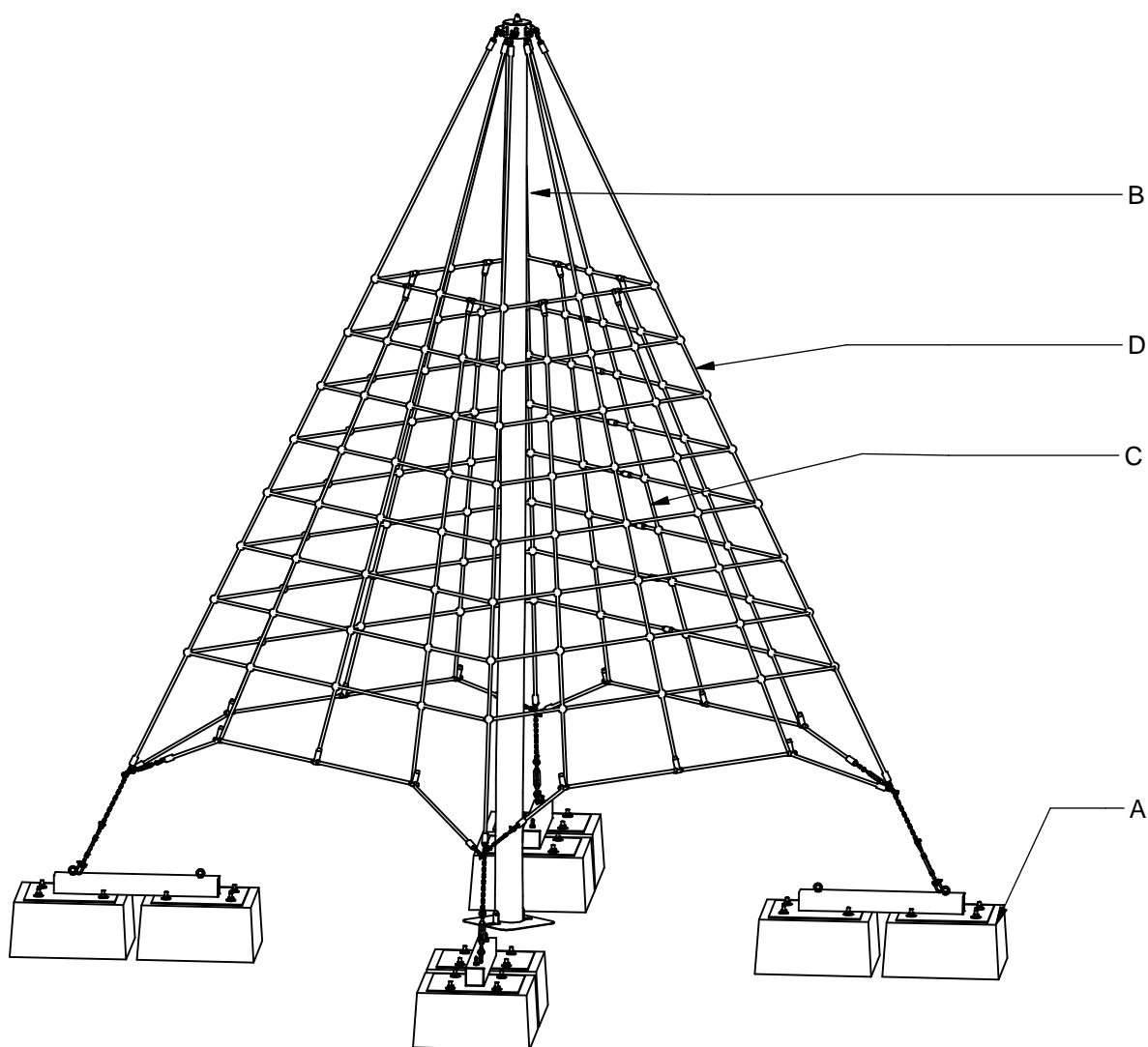
- 1 - RVS M6 Mounting
- 2 - Stainless Steel M16 Mounting

Assembly sequence:

- 1 - Dig the holes according to the ground plan and insert A and B
- 2 - Attach C to B 1
- 3 - Attach C to A with two
- 4 - Attach D to B 1
- 5 - Attach D to A with two
- 6 - Make sure that the device conforms to the dimensions on sheet 'dimensions'
- 7 - Seal the hole and compacted the sand

Controls:

- 1 - Correct building and all fasteners
- 2 - The final height of the unit (<300 cm)
- 3 - Check the dimensions of the safety area compared to the play equipment



PSTE000.114

Climbing pyramid 3 m

LOGBOOK

(Onderstaand logboek kan gebruikt worden om te voldoen aan de eisen, gesteld in artikel 14 van het Warenwetbesluit Attractie- en Speeltoestellen)

Type indication	Adventure Play
Product code	PSTE000.114
Name of equipment	Klimpiramide net 3m
Maximum height of fall	3,0 m
Year of construction	2017
Certificate	057823
inspection authority	TUV Nederland QA BV De Waal 21c, Best - 5684 PH Best
Name manufacturer	BOERplay Hyacintstraat 2 - 4255 HX Nieuwendijk Phone: +31 (0)183 40 23 66 Fax: +31 (0)183 40 35 64
name installer	_____ _____
Description of equipment	Climbing pyramid 3 m
Location of equipment	_____
Data about the owner of the play equipment	
Name:	_____
Address:	_____
Postcode and town:	_____
Contact person:	_____
Telephone number:	_____
Data about the administrator of the play equipment	
Name:	_____
Address:	_____
Postcode and town:	_____
Contact person:	_____
Telephone number:	_____

LOGBOOK

Inspection and maintenance intervals



Nr.	Inspection	Maintenance	months between inspections
1	Verify equipment's stability, junctions and missing parts. Inspect bolts, screws and nuts for absence, jams, corrosion and wear.	Add missing parts, secure joints, apply missing fixing agent and replace corroded parts.	1
2	Check suspension for wear.	Replace worn parts and/or remove non-functioning parts.	1
3	Inspect rotating parts such as hinges, rolling-element bearings, etc. for wear and acceptability.	Replace worn parts and/or remove non-functioning parts.	1
4	Check wood for splinters, unacceptable damage and signs of rot. Especially at ground level.	Repair damage. Replace affected wood. Smoothen splintered wood and sharp edges.	1
5	Inspect foundation for stability, tearing and coverage.	Restore foundation and covering material.	3
6	Examine rubber and synthetic parts for wear, damage and break.	Replace original parts.	3
7	Inspect metal for corrosion and damage in the coating.	Restore any damaged coating (after removing rust and applying primer).	6
8	Check ropes, cables, chains and nets for wear and damage. Steel cables and nets which are tensioned must be checked for tension.	Replace parts where necessary. Steel cables and nets must be tensioned.	3
9	Inspect equipment for unsafe changes and additions.	Remove unsafe additions and correct unsafe changes.	1
10	Inspect safety surfaces.	Restore and repair where necessary.	1

Remarks

1. If used intensively, all points require extra attention.
2. Extreme weather conditions and locations may require a higher inspection frequency. Discuss this with the supplier.
3. Vandalism-sensitive locations require stricter inspections, possibly daily.
4. Check the terrain regularly for items that do not belong there, are unsafe or may be used wrongly. Examples are poisonous plants, glass shards, etc. Frequency depends on strain.
5. Remember that bad maintenance leads to unsafe conditions and notably faster impoverishment of the playground area.
6. Replacement parts can be ordered at the manufacturer with the part numbers on the module drawing. Drawings can be found in de user guide.
7. The impact area shall be provided with impact attenuating surface according to the specified falling height.
8. This list is conform the CEN-standard "playground equipment and surfacing NEN-EN 1176-7".

Warenwet

Certificaat van Typeonderzoek Type Examination Certificate

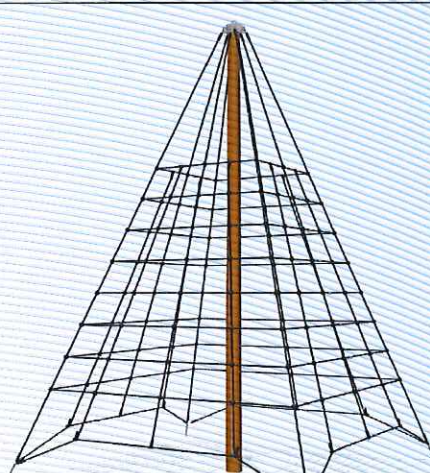
afgegeven door issued by

TÜV Nederland QA BV



aangewezen bij ministeriële beschikking van
4 mei 2012, nr. VGP 3113590

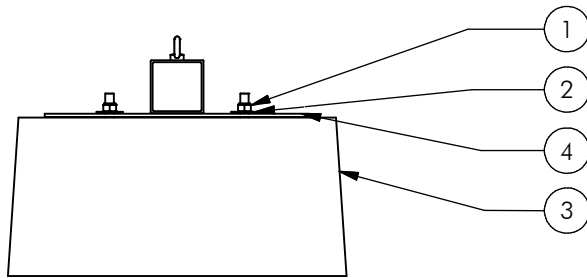
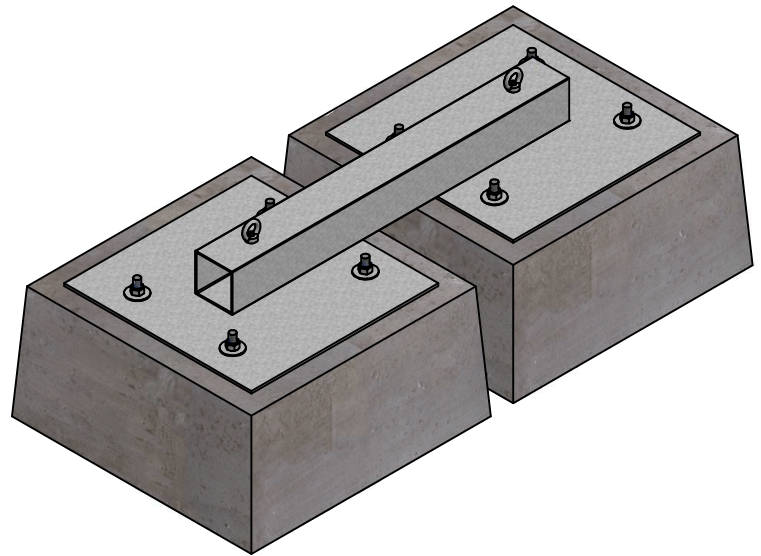
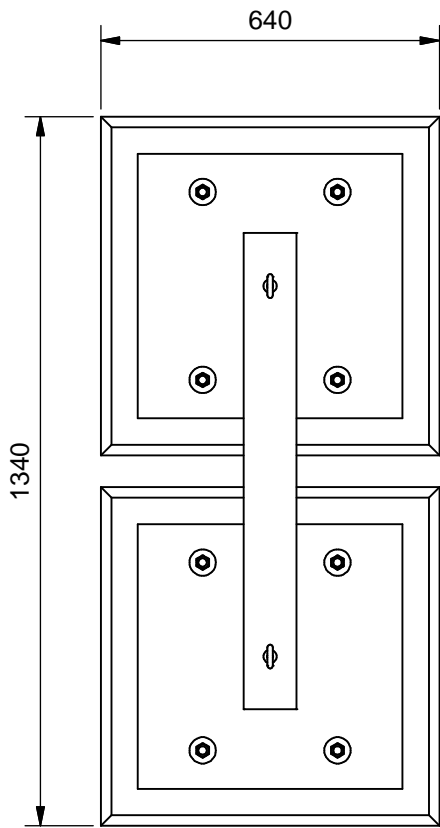
commissioned by departmental order
of 4 May 2012, no. VGP 3113590

Certificaat nr. Certificate nr.	057823TA_20161223	Dossiernr. File nr.	057823TA
Productomschrijving Product description	Klimpiramide net 3m		
Evt. nadere aanduidingen Further indications	Adventure Play		
voor nadere informatie zie bijbehorend rapport met gelijkloidend dossiernr. for further information see associated report with identical file nr.			
Eigenaar / certificaathouder en adres Owner/certificate holder and address	Boer Speeltoestellen B.V. Hyacintstraat 2 4255 HX NIEUWENDIJK		
Soort toestel Category of equipment	Speeltoestel / Playground equipment		
Fabrikant Manufacturer	Boer Speeltoestellen B.V. Hyacintstraat 2 4255 HX NIEUWENDIJK		
Type/Serienummer Type/Serial number	PST.000.114 /	in te vullen door de fabrikant to be filled out by the manufacturer	
Jaar van fabricage Year of construction	vanaf since 2016		
Leverancier Supplier	Boer Speeltoestellen B.V. Hyacintstraat 2 4255 HX NIEUWENDIJK		
Jaar van leverantie Year of supply	in te vullen door de leverancier to be filled out by the supplier		
Datum keuring Date of examination	23-12-2016		

TÜV Nederland QA BV, de Waal 21C, NL-5684 PH Best verklaart, dat het bovenaangehaalde toestel voldoet aan de vervaardigingvoorschriften genoemd in het Warenwetbesluit attractie- en speeltoestellen (met als leidraad de normatieve documenten NEN-EN 1176:2008).

TÜV Nederland QA BV declares that the here above mentioned equipment meets the safety and health requirements mentioned in the Dutch law "Warenwetbesluit attractie- en speeltoestellen" (guided by normative documents EN 1176:2008).

Namens het bestuur, For the board, E. Franken Managing Director	
--	--



Nr	#	Type	Progr.	Volgnr	Bew.	Rev.	Benaming	Opmerking
1	8	BSV	010	016	020		BORGMOER	M16
2	8	BSV	035	016	050		Carrosseriering	M16 x 50 - VZ 8.8
3	2	OBT	POE	007	245		Poermodel 7	245 kg
4	1	SME	PST	061	372		Verbinding poeren	Adventure play



Benaming
Title Dubbele poer verbonden

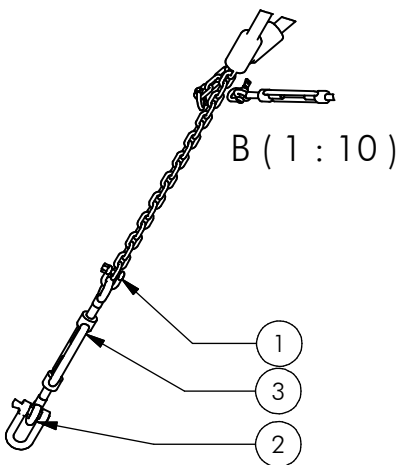
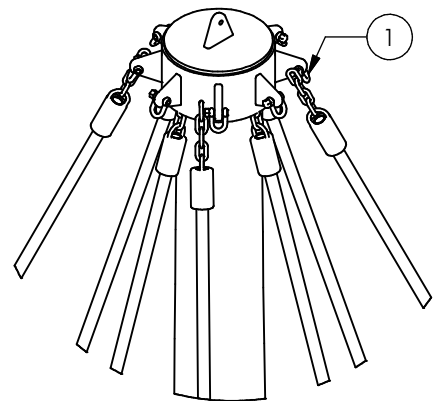
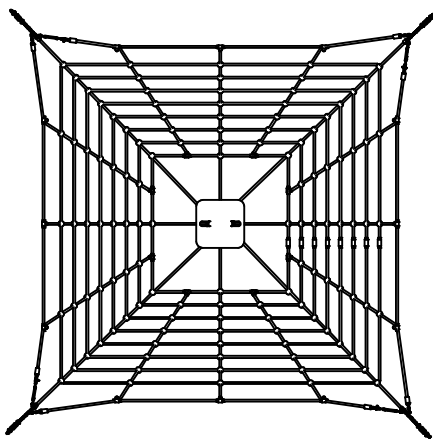
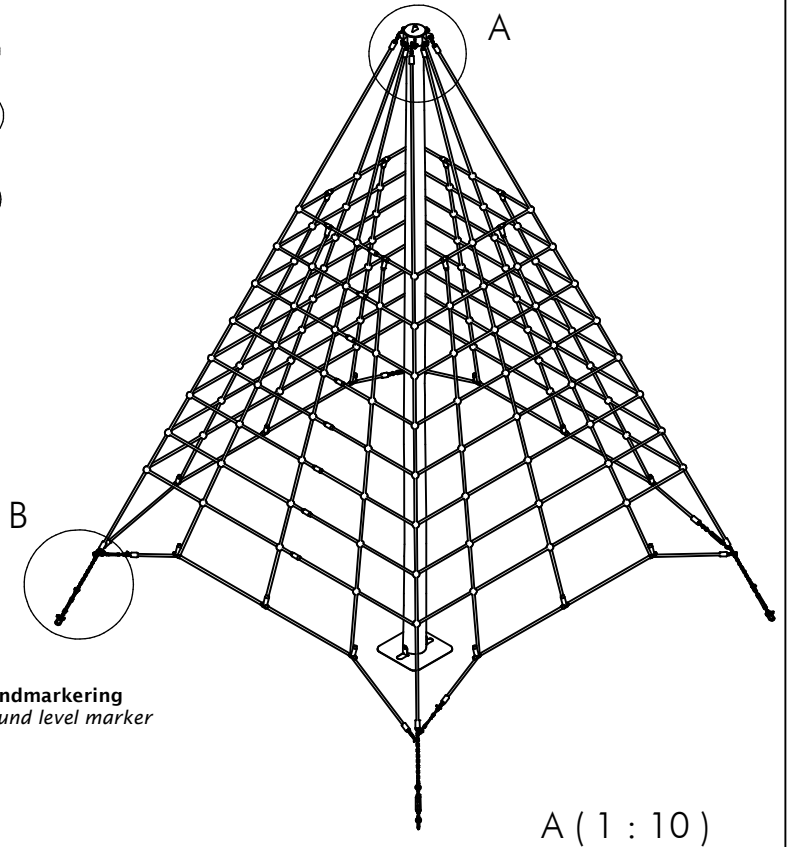
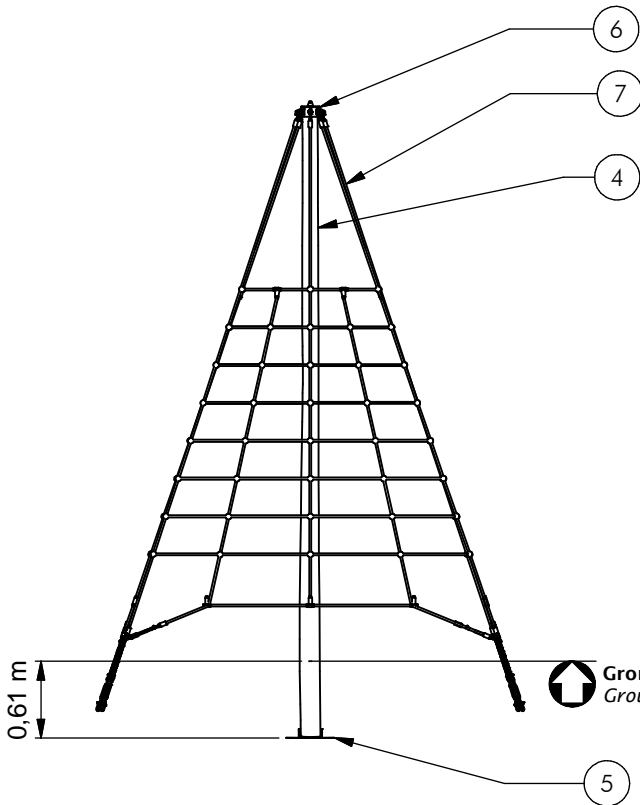
Opmerking
Comment Adventure play

Datum
Date 12-2-2014

Tekening
Drawing

MOD PST 064 003

Samenstelling module *Assembly module*



Nr	#	Type	Progr.	Volgnr	Bew.	Rev.	Benaming	Opmerking
1	12	BSR	031	006	000		D-sluiting	Ø 6
2	4	BSV	031	010	000		D-Sluiting Ø10	VZ 8.8
3	4	BSV	160	012	115		Spanschroeven met ogen	M12, th. verzinkt
4	1	OHO	PST	160	050		Paal 14-16	Lengte =5000
5	1	OME	PST	038	VZP		Voetplaat 180	Adventureplay
6	1	SME	PST	064	905	D	Bovenkrans	Klimpyramide
7	1	SNT	PST	016	104	C	Pyramidenet vh 3 m	Adventure play



Benaming
Title Klimpyramide 3m

Opmerking
Comment Adventure play

Datum
Date 26-2-2015

Tekening
Drawing

MOD PST 064 006 C
 Samenstelling module Assembly module