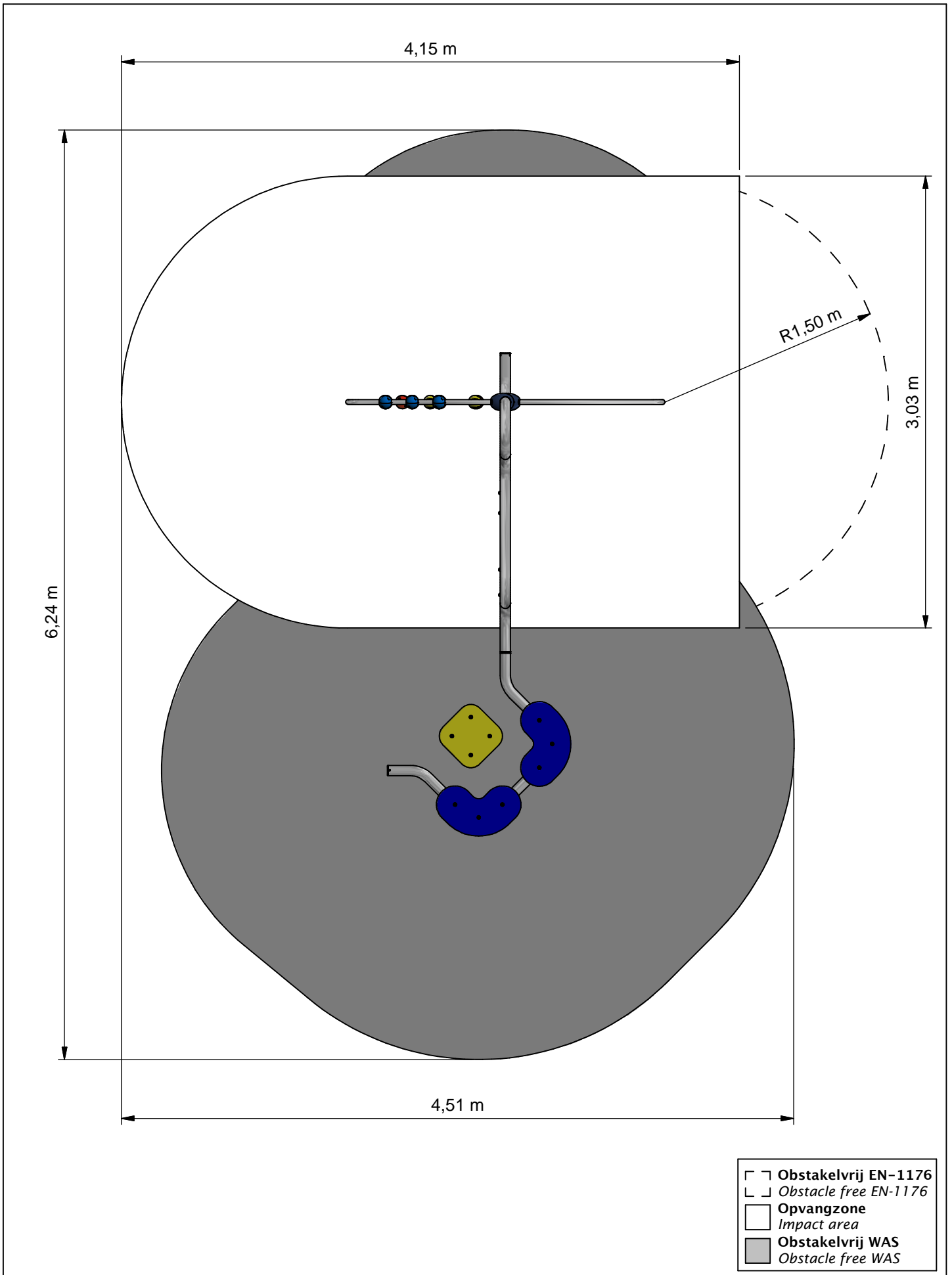


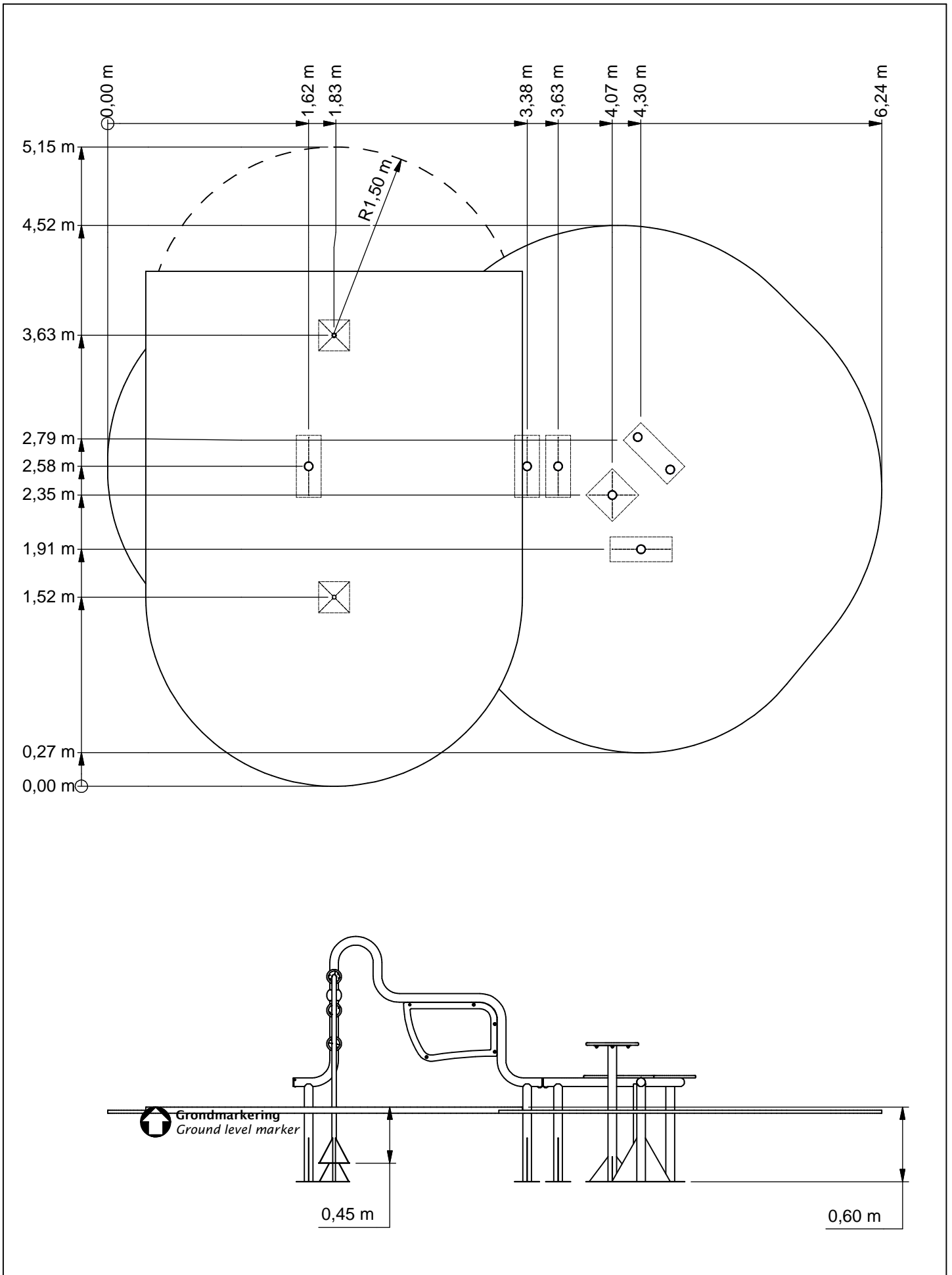


Playchain 105 Play corner big



PNRE000.105



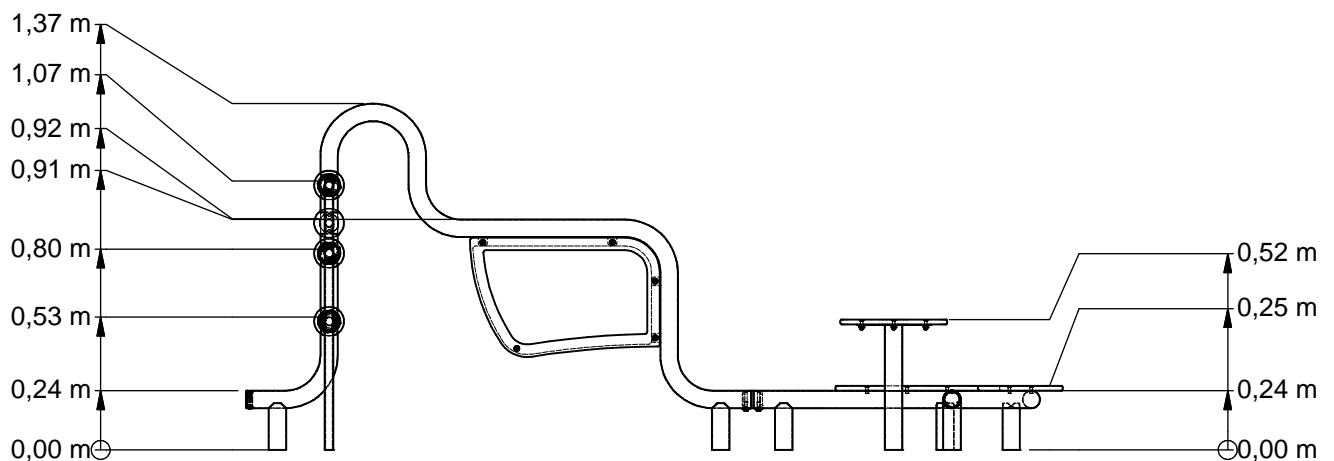
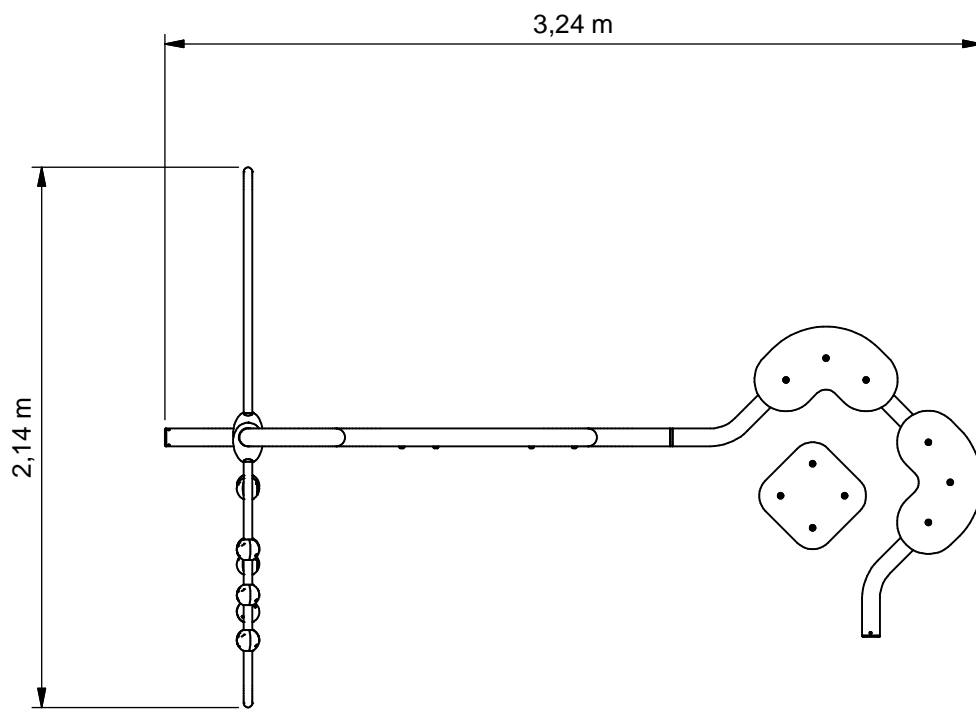


Benaming / Title: Pionier
 Opmerking / Comment: Playchain 105
 Datum / Date: 17-1-2017

Tekening / Drawing

TOE PNR 000 105

Bodemplan Groundplan



Benaming
Title Pionier

Opmerking
Comment Playchain 105

Datum
Date 17-1-2017

Tekening
Drawing

TOE PNR 000 105

Hoofdafmetingen *Main dimensions*

Geleverde modules:

Zie tabel

Supplied modules:

See table

Montageinstructie:

- De hoofdmaten geven de maten van de staanders en vloeren aan
- De detailtekeningen geven specifiek de maten van de verbindingen aan
- De modules met buizen zijn op de tekeningen bemaat op bovenkant kopplaat
- Overige modules zijn bemaat op de bovenkant (klimwanden, paalkappen, etc.)

Assembly instruction:

- The main dimensions indicate the dimensions of the posts and floors
- The detailed dimensions show the specific dimensions of the connections
- The modules which contain tubes are dimensioned at the top of the flanges
- Other modules are dimensioned at the top (climbing walls, caps for the posts, etc.)

Montagevolgorde:

- 1 - Graaf de gaten volgens het bodemplan
- 2 - Plaats 2
- 3 - Plaats 4 en 6 en verbind deze aan 2
- 4 - Plaats 3
- 5 - Plaats 1 tussen 2 en 3
- 6 - Plaats 5 en verbind deze aan 2
- 7 - Plaats 7,7 en 8 en verbind deze aan 3
- 8 - Controleer of het toestel voldoet aan de afmetingen zoals op blad 'afmetingen'
- 9 - Dicht de gaten en verdicht het zand

Assembly sequence:

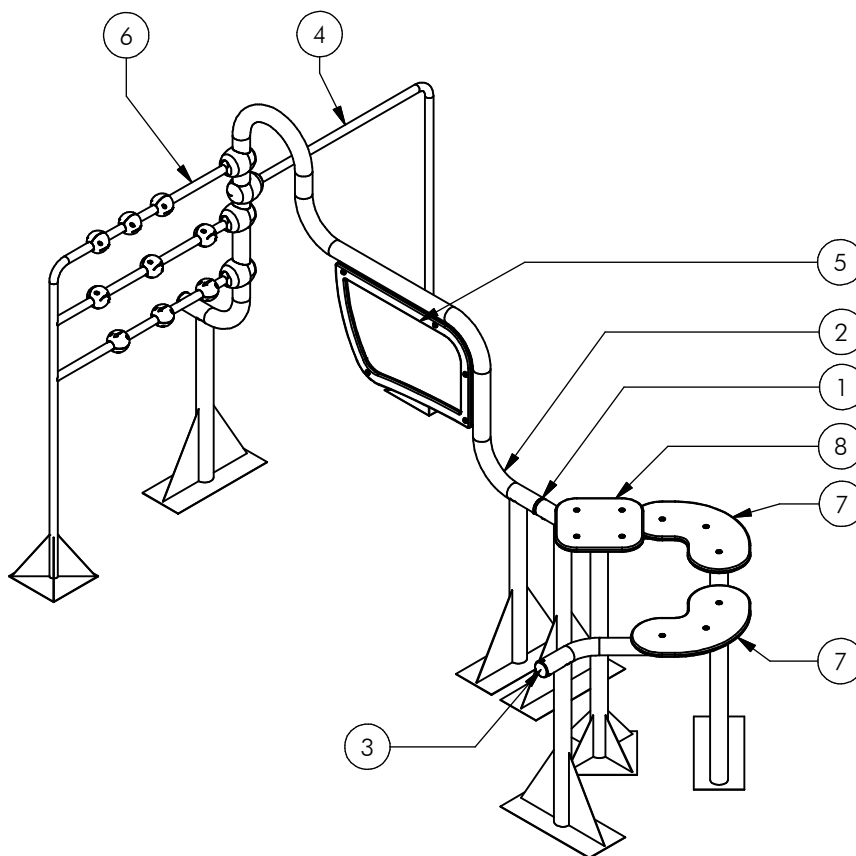
- 1 - Dig the holes according to the ground plan
- 2 - Place 2
- 3 - Place 4 and 6 and attach it to 2
- 4 - Place 3
- 5 - Place 1 between 2 and 3
- 6 - Place 5 and attach it to 2
- 7 - Place 7,7 and 8 and attach it to 3
- 8 - Check that the equipment conforms to the dimensions shown on sheet 'dimensions'
- 9 - Close the holes and compact the sand

Controles:

- 1 - Correcte opbouw en alle bevestigingsmiddelen
- 2 - Controleer de afmetingen van de valbodem t.o.v. het toestel

Checks:

- 1 - Correct assembly and all the fasteners
- 2 - Check the dimensions of the safety area with regard to the play equipment



Nr	#	Type	Progr.	Volgnr	Bew.	Rev.	Benaming	Opmerking
1	1	MOD	PNR	530	000		Koppelstuk	Speelbuis
2	1	MOD	PNR	532	000		Basisstuk + lippen	Speelbuis
3	2	MOD	PNR	537	000	A	Einddop	buis 70
4	1	MOD	PNR	544	000		Duikel 90 cm	Speelbuis
5	1	MOD	PNR	545	000	A	Schoolbord	Speelbuis
6	1	MOD	PNR	550	000		Telbollen	Speelbuis
7	1	MOD	PNR	555	000	A	Zithoek groot	Speelbuis
8	1	MOD	PNR	557	000	A	Tafeltje	Speelbuis



Benaming
Title | Pionier
Opmerking
Comment | Playchain 105
Datum
Date | 17-1-2017

Tekening
Drawing

TOE PNR 000 105

Modules Modules

PNRE000.105

Playchain 105 Play corner big

LOGBOOK

(Onderstaand logboek kan gebruikt worden om te voldoen aan de eisen, gesteld in artikel 14 van het Warenwetbesluit Attractie- en Speeltoestellen)

Type indication	Pioneer Play
Product code	PNRE000.105
Name of equipment	Playchain 105 Speelhoek groot
Maximum height of fall	0,9 m
Year of construction	2017
Certificate	11100319321
inspection authority	Liftinstituut B.V. Buikslotermeerplein 381, A'dam - 1025 XE Amsterdam
Name manufacturer	BOERplay Hyacintstraat 2 - 4255 HX Nieuwendijk Phone: +31 (0)183 40 23 66 Fax: +31 (0)183 40 35 64
name installer	_____ _____
Description of equipment	Playchain 105 Play corner big
Location of equipment	_____
Data about the owner of the play equipment	
Name:	_____
Address:	_____
Postcode and town:	_____
Contact person:	_____
Telephone number:	_____
Data about the administrator of the play equipment	
Name:	_____
Address:	_____
Postcode and town:	_____
Contact person:	_____
Telephone number:	_____

LOGBOOK

Inspection and maintenance intervals



Nr.	Inspection	Maintenance	months between inspections
1	Verify equipment's stability, junctions and missing parts. Inspect bolts, screws and nuts for absence, jams, corrosion and wear.	Add missing parts, secure joints, apply missing fixing agent and replace corroded parts.	1
2	Check suspension for wear.	Replace worn parts and/or remove non-functioning parts.	1
3	Inspect rotating parts such as hinges, rolling-element bearings, etc. for wear and acceptability.	Replace worn parts and/or remove non-functioning parts.	1
4	Check wood for splinters, unacceptable damage and signs of rot. Especially at ground level.	Repair damage. Replace affected wood. Smoothen splintered wood and sharp edges.	1
5	Inspect foundation for stability, tearing and coverage.	Restore foundation and covering material.	3
6	Examine rubber and synthetic parts for wear, damage and break.	Replace original parts.	3
7	Inspect metal for corrosion and damage in the coating.	Restore any damaged coating (after removing rust and applying primer).	6
8	Check ropes, cables, chains and nets for wear and damage. Steel cables and nets which are tensioned must be checked for tension.	Replace parts where necessary. Steel cables and nets must be tensioned.	3
9	Inspect equipment for unsafe changes and additions.	Remove unsafe additions and correct unsafe changes.	1
10	Inspect safety surfaces.	Restore and repair where necessary.	1

Remarks

1. If used intensively, all points require extra attention.
2. Extreme weather conditions and locations may require a higher inspection frequency. Discuss this with the supplier.
3. Vandalism-sensitive locations require stricter inspections, possibly daily.
4. Check the terrain regularly for items that do not belong there, are unsafe or may be used wrongly. Examples are poisonous plants, glass shards, etc. Frequency depends on strain.
5. Remember that bad maintenance leads to unsafe conditions and notably faster impoverishment of the playground area.
6. Replacement parts can be ordered at the manufacturer with the part numbers on the module drawing. Drawings can be found in de user guide.
7. The impact area shall be provided with impact attenuating surface according to the specified falling height.
8. This list is conform the CEN-standard "playground equipment and surfacing NEN-EN 1176-7".

TYPE-EXAMINATION CERTIFICATE

Acting under the " Warenwetbesluit Attractie- en Speeltoestellen" issued by Liftinstituut B.V.
commissioned by departmental order, no. VGP/PSL 2857566 from 27 Juni 2008.

Certificate nr. : NL 11-100319321 Revision nr.: -

Description of the product : Playground equipment Pionier Playchain, consisting of separate modules which must be combined for an approved play-unit

Trademark, type : Playground equipment: TOE PNR 000 xxx. Modules MOD-PNR-5yy-zzz. Variabele xxx: Serialnumber playground equipment. Variabele yy: 30, 31, 32, 33, 37, 40, 41, 42, 43, 44, 45, 46. Variabele zzz: Variant of module.

Name and address of the manufacturer : Boer Speeltoestellen
Hyacinthstraat 2
4255 HX Nieuwendijk

Name and address of the certificate holder : Boer Speeltoestellen
Hyacinthstraat 2
4255 HX Nieuwendijk

Certificate issued on the basis of the following requirements : Warenwetbesluit Attractie- en Speeltoestellen, NEN-EN 1176-1:2008, NEN-EN 1176-2:2008, NEN-EN 1176-3:2008

Test laboratory : None

Date and number of the laboratory report : None

Date of type-examination : 11 november 2010 till 9 february 2011

Annexes with this certificate : Report belonging to the type-examination certificate nr.: 100319321

Additional remarks : This certificate is only valid when the used modules are combined as written in the designrules Pionier Playchain

Conclusion : The playground equipment meets the requirements of the above specified European standard(s) and "Warenwetbesluit Attractie- en Speeltoestellen" taking into account any additional remarks mentioned above.

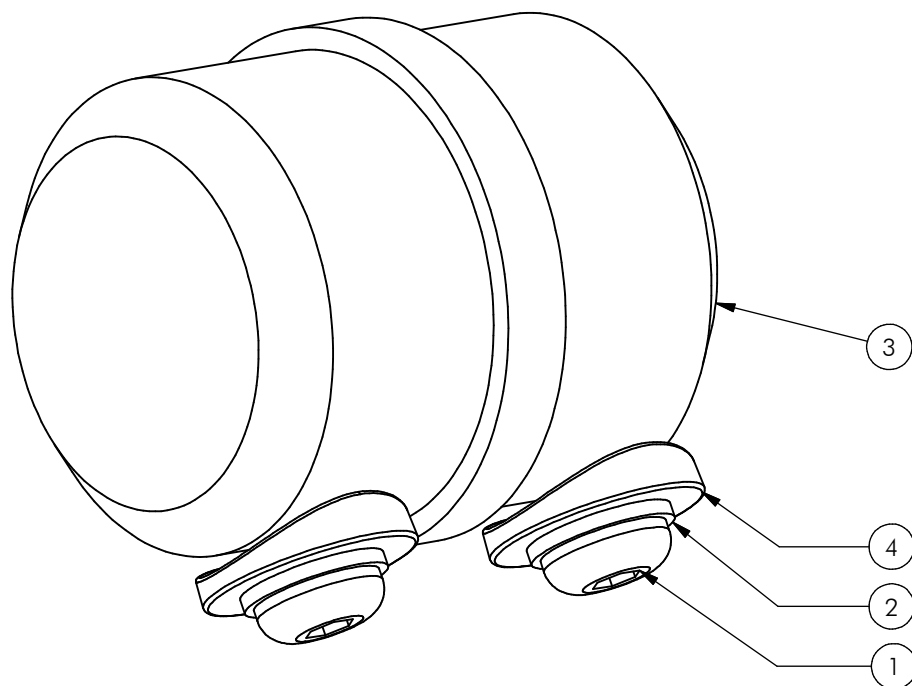


Issued in Amsterdam
Date of issue : 14 February 2011

Ir. V.M.A. Barendregt
LIFTINSTITUUT B.V.
Senior Officer Certification
& Technology



Drs. B. Mulder
LIFTINSTITUUT B.V.
Director Certification &
Inspection International



4	2	KST	T60	015	030	A	Zadelring	Buis 60, 15x30
3	1	KST	PNR	032	POM	A	Koppeling	Speelbuis
2	2	BSR	030	010	002		SLUITRING	M10
1	2	BSR	023	010	030		BOLKOP SCHROEF	ISO 7380 - M10 x 30
POS	N	TYPE	PROJ.	NR.	BEH.	R	BENAMING	OPMERKING



Benaming
Title Koppelstuk

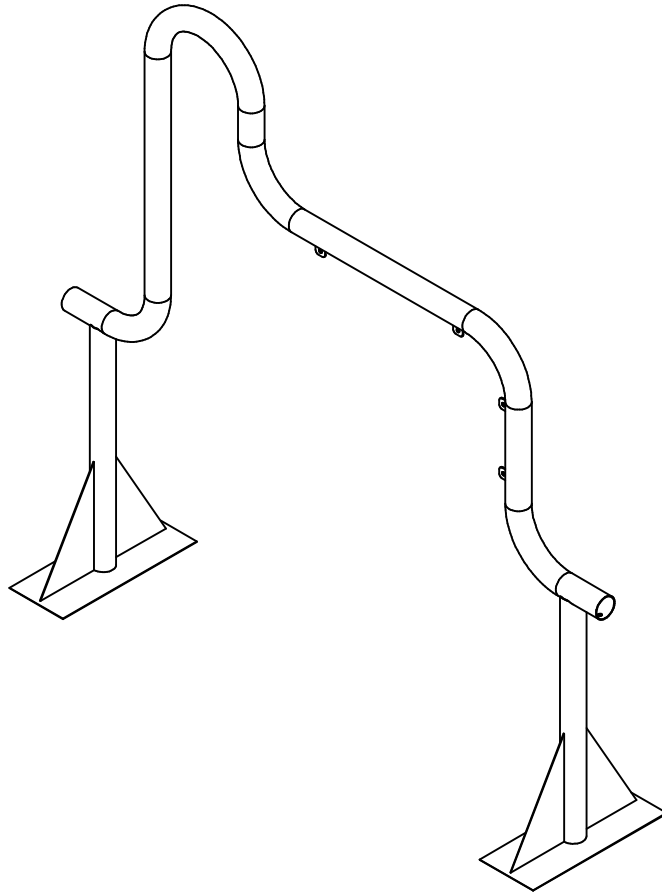
Opmerking
Comment Speelbuis

Datum
Date 20-8-2010

Tekening
Drawing

MOD PNR 530 000

Samenstelling module *Assembly module*



1	1	SME	PNR	352	320	A	Basisstuk + lippen	Speelbuis
POS	N	TYPE	PROJ.	NR.	BEH.	R	BENAMING	OPMERKING



Benaming
Title Basisstuk + lippen

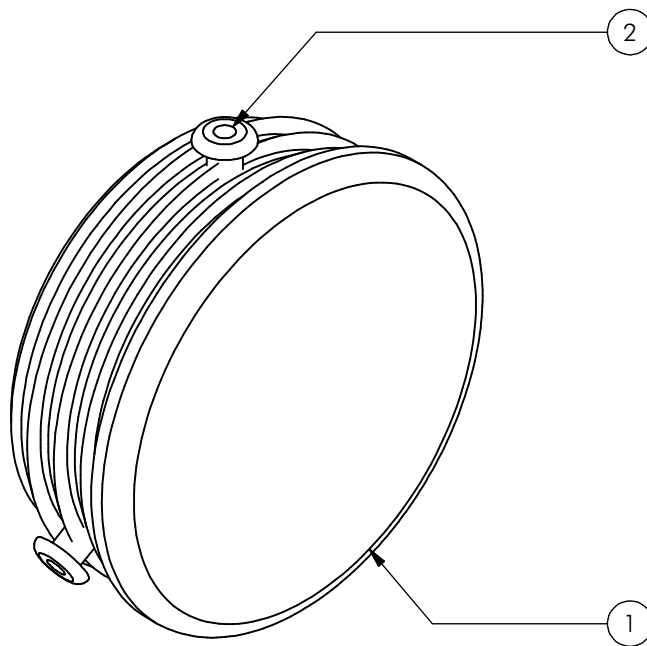
Opmerking
Comment Speelbuis

Datum
Date 22-9-2011

Tekening
Drawing

MOD PNR 532 000

Samenstelling module Assembly module



POS	N	TYPE	PROJ.	NR.	BEH.	R	BENAMING	OPMERKING
1	1	KST	LAM	070	005		Lamellenstop	buis 70 x 2-4.5
2	3	BSR	014	005	050		Klinknagel bolkop	4,8 x 12 - RVS A2-70



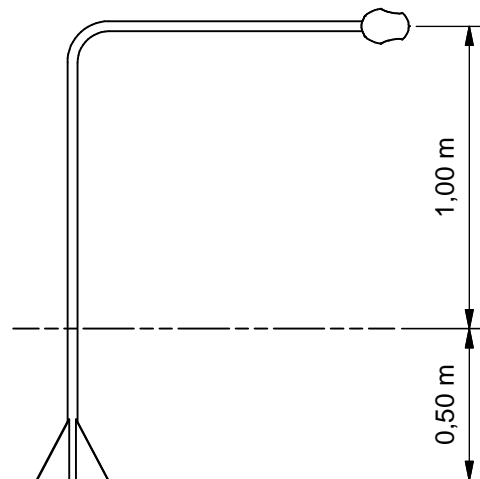
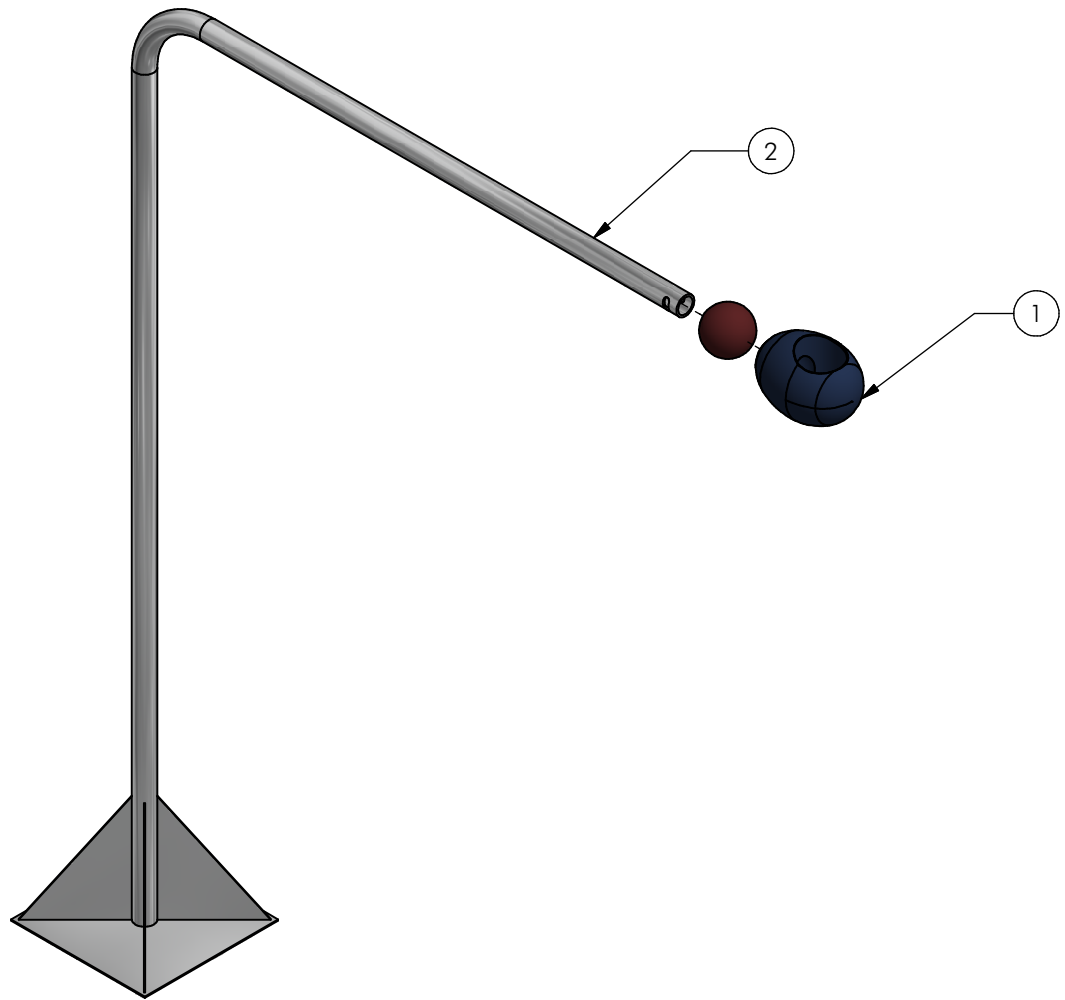
Benaming
Title Eindhop

Opmerking
Comment buis 70

Datum
Date 11-12-2013

Tekening
Drawing

MOD PNR 537 000 A
Samenstelling module Assembly module



Nr	#	Type	Progr.	Volgnr	Bew.	Rev.	Benaming	Opmerking
1	1	SMD	PNR	005	000		Submodule	EI 05
2	1	SME	PNR	355	320		Duikel 90cm	Speelbuis



Benaming
Title Duikel 90 cm

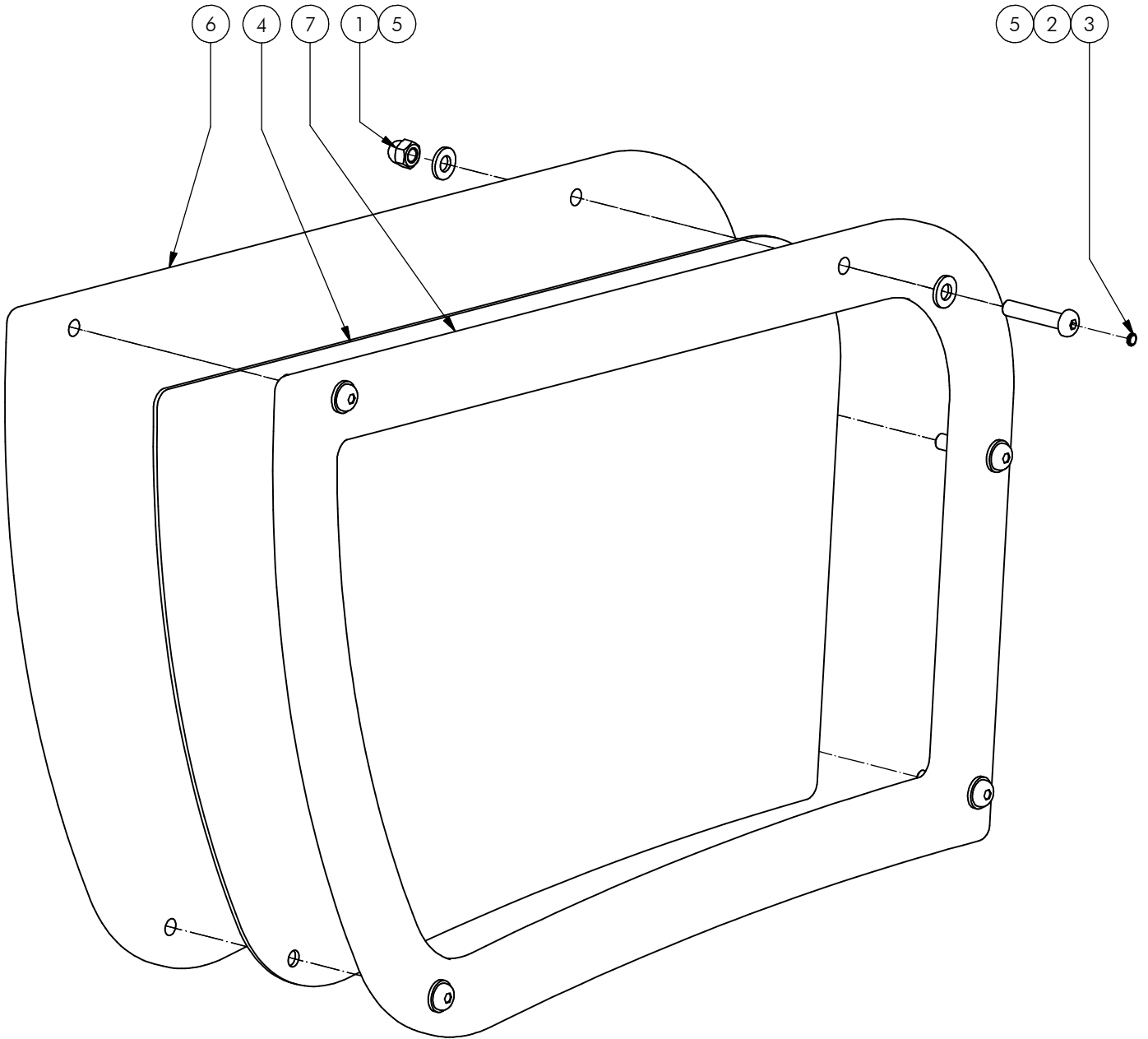
Opmerking
Comment Speelbuis

Datum
Date 18-8-2010

Tekening
Drawing

MOD PNR 544 000

Samenstelling module Assembly module



Nr	#	Type	Progr.	Volgnr	Bew.	Rev.	Benaming	Opmerking
1	5	BSR	011	010	020		DOPMOER	BORG RVS M10
2	5	BSR	023	010	050		Bolkopbout ISO 7380	M10 x 50 - RVS A2-70
3	5	KST	DOP	006	030		OPVULDOPJE	6 MM ROOD
4	1	KST	PNR	012			Schoolbordplaat	voor PE rand
5	10	KST	ROR	010	000		RING NYLON	M10 x 2.5 MM
6	1	OPE	PNR	035			Achterkant schoolbord	Speelbuis
7	1	OPE	PNR	036			Rand schoolbord	Speelbuis



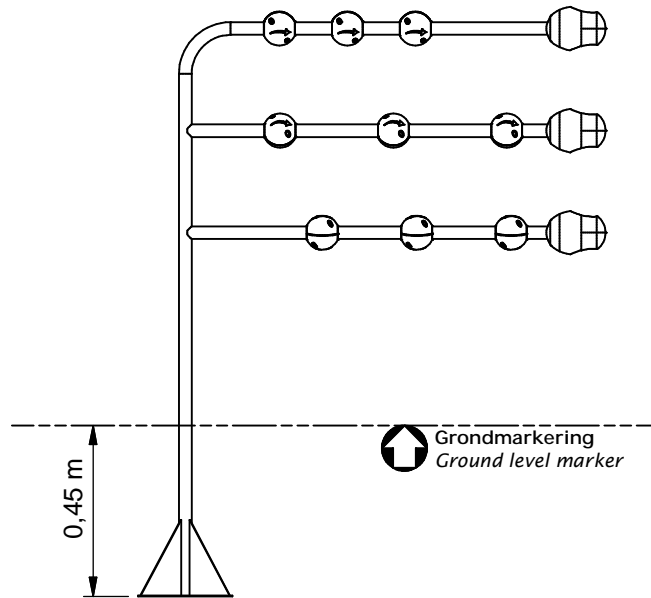
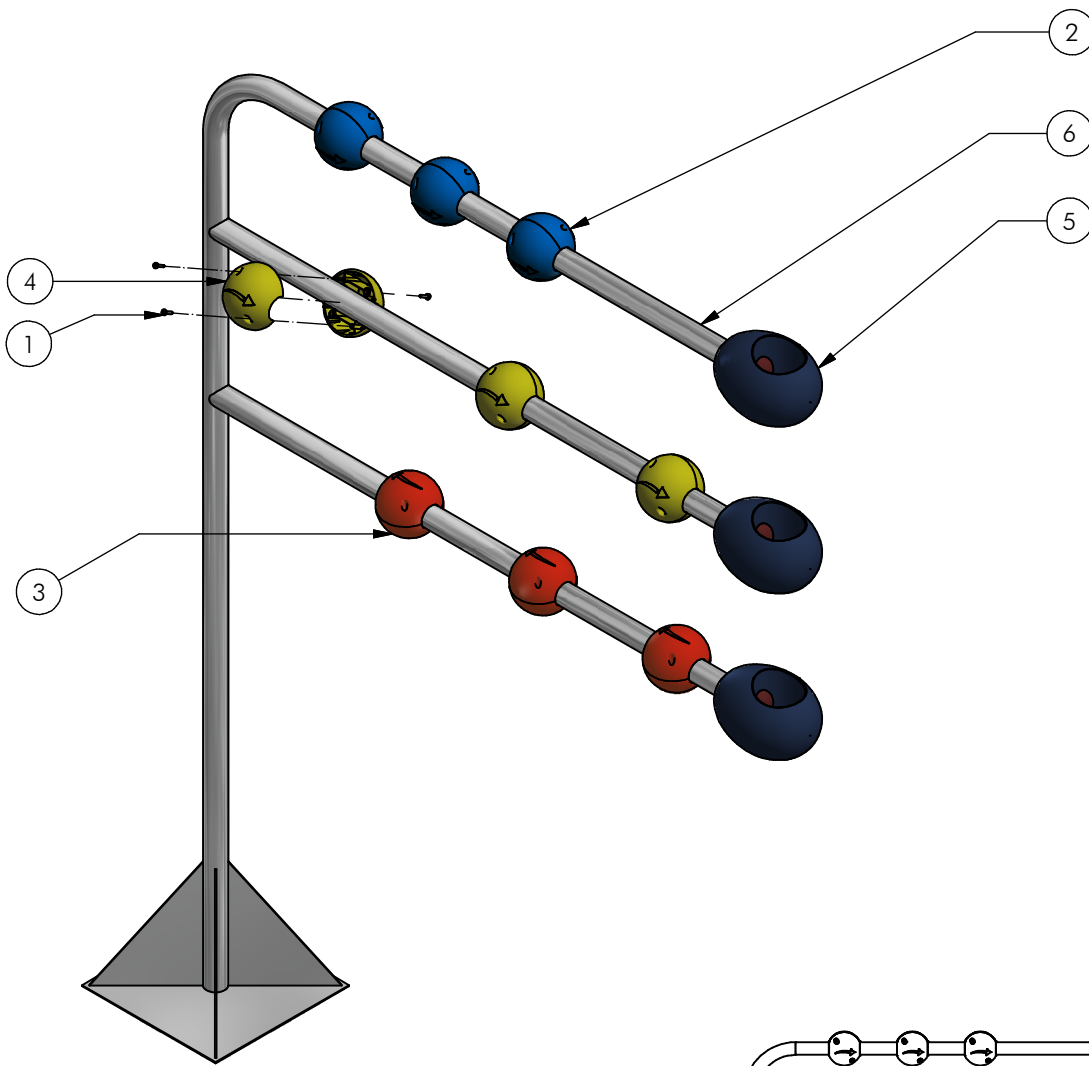
Benaming
Title Schoolbord

Opmerking
Comment Speelbuis

Datum
Date 20-1-2017

Tekening
Drawing

MOD PNR 545 000 A
 Samenstelling module Assembly module



POS	N	TYPE	PROJ.	NR.	BEH.	R	BENAMING	OPMERKING
1	36	BSR	005	004	019		Zelfb. schroef	3,5 x 19 - RVS A2-70
2	6	KST	BOL	036	050		Telbol helft	Blauw
3	6	KST	BOL	036	030		Telbol helft	Rood
4	6	KST	BOL	036	010		Telbol helft	Geel
5	3	SMD	PNR	005	000		Submodule	EI 05
6	1	SME	PNR	362	320		Telbolwandje	Speelbuis



Benaming
Title: Telbollen

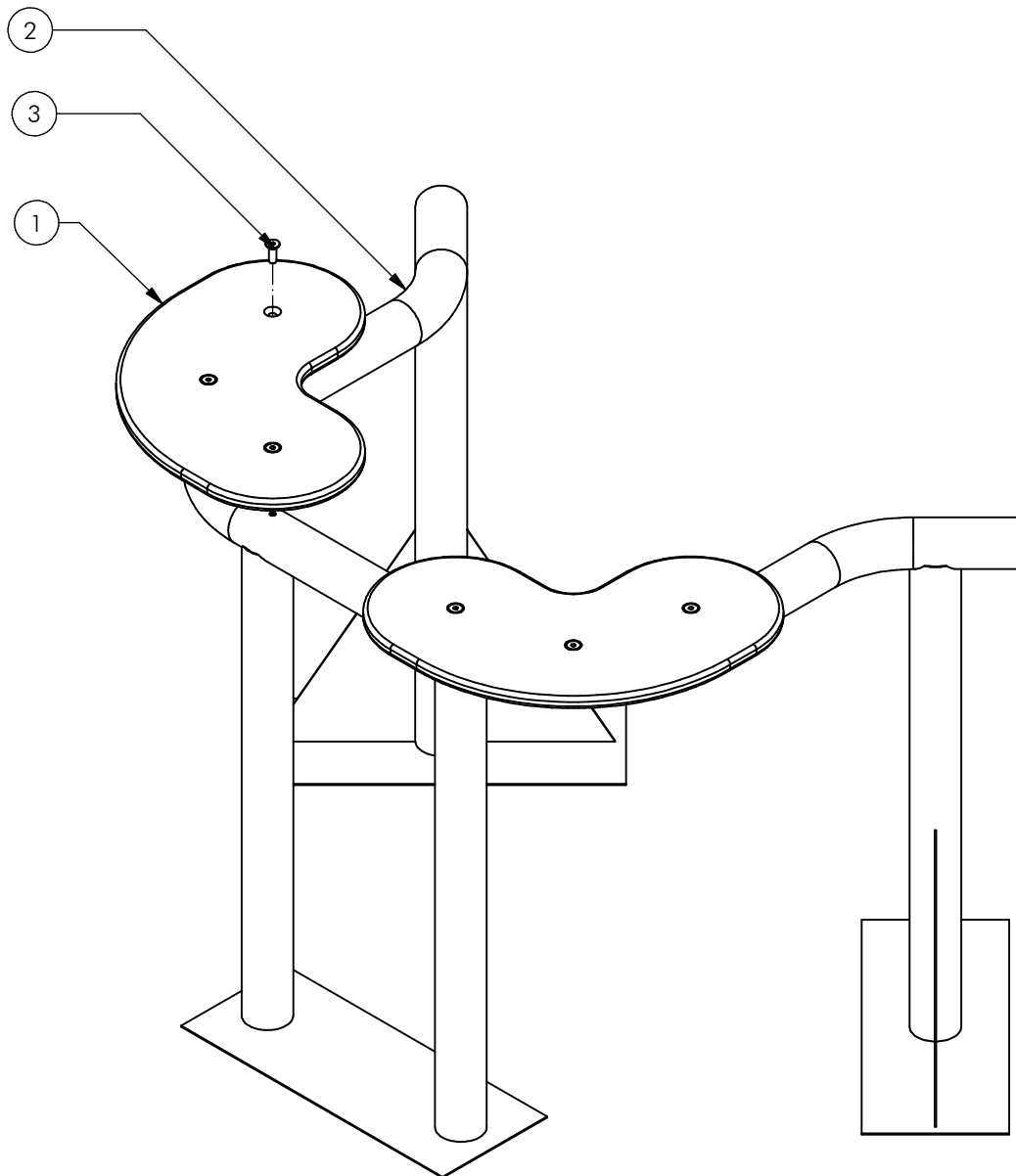
Opmerking
Comment: Speelbuis

Datum
Date: 14-12-2011

Tekening
Drawing

MOD PNR 550 000

Samenstelling module *Assembly module*



POS	N	TYPE	PROJ.	NR.	BEH.	R	BENAMING	OPMERKING
1	2	OPE	PNR	032	050	B	zitje	Speelbuis
2	1	SME	PNR	363	320	A	Zithoek groot	Speelbuis
3	6	BSR	024	010	030		Verzonken bout	M10 x 30 - RVS A2-70



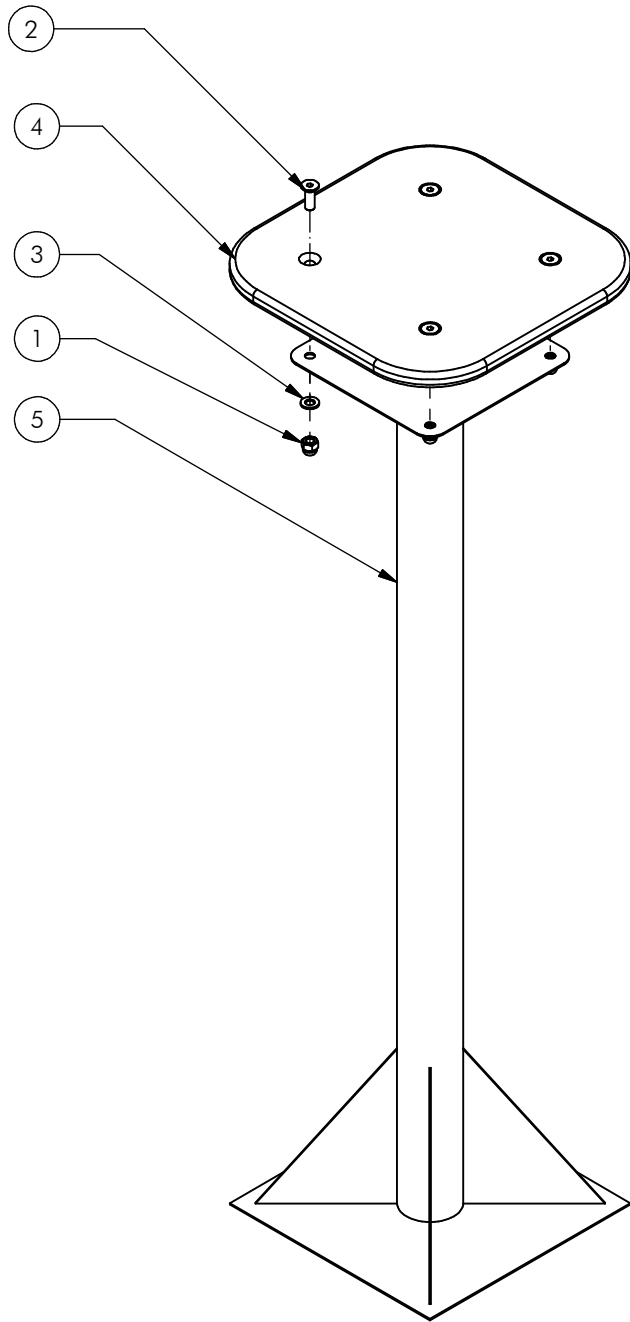
Benaming
Title Zithoek groot


Opmerking
Comment Speelbuis

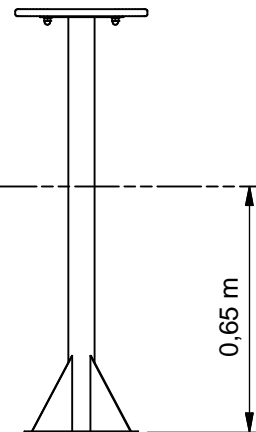
Datum
Date 28-10-2013

Tekening
Drawing

MOD PNR 555 000 A
 Samenstelling module *Assembly module*




Grondmarkering
 Ground level marker



POS	N	TYPE	PROJ.	NR.	BEH.	R	BENAMING	OPMERKING
1	4	BSR	011	010	020		Borgdopmoer	M10 - RVS A2-70
2	4	BSR	024	010	030		Verzonken bout	M10 x 30 - RVS A2-70
3	4	BSR	030	010	002		SLUITRING	M10
4	1	OPE	PNR	033	010	A	tafeltje	Speelbuis
5	1	SME	PNR	364	320		Tafelpoot	Speelbuis



Benaming
 Title Tafeltje
 Opmerking
 Comment Speelbuis
 Datum
 Date 28-10-2013

Tekening
 Drawing

MOD PNR 557 000 A
 Samenstelling module Assembly module